

US00D507966S

(12) **United States Design Patent** (10) **Patent No.:** **US D507,966 S**  
**Abgarian** (45) **Date of Patent:** **\*\* Aug. 2, 2005**

(54) **MULTI-SIDED TISSUE BOX**

D495,247 S \* 8/2004 Keberlein ..... D9/430  
D495,598 S \* 9/2004 Smith ..... D9/430

(76) Inventor: **Vahik Abgarian**, 336 E. Santa Anita,  
No. I, Burbank, CA (US) 91502

\* cited by examiner

(\*\*) Term: **14 Years**

*Primary Examiner*—Brian N Vinson  
(74) *Attorney, Agent, or Firm*—Thomas I. Rozsa; Tony D. Chen

(21) Appl. No.: **29/188,206**

(22) Filed: **Aug. 13, 2003**

(57) **CLAIM**

(51) **LOC (8) Cl.** ..... **09-03**

The ornamental design for a multi-sided tissue box, as shown and described.

(52) **U.S. Cl.** ..... **D9/416**

(58) **Field of Search** ..... D9/414–416, 430–433;  
206/216, 581, 235, 457, 439.1, 439.5, 823,  
434, 538, 539, 769–771; 229/108, 115,  
116, 116.1, 103.2, 103.3, 116.5

**DESCRIPTION**

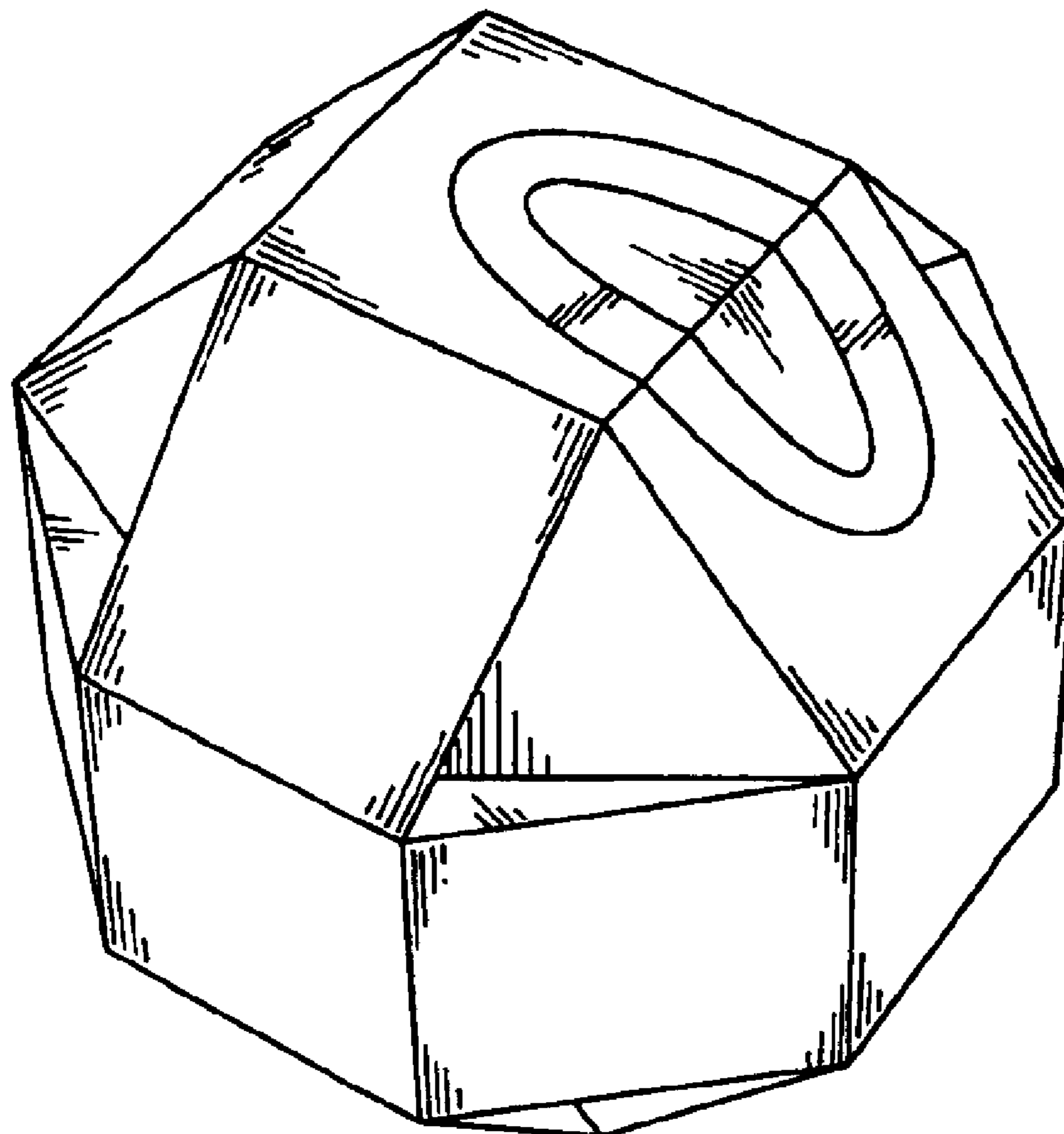
(56) **References Cited**

**U.S. PATENT DOCUMENTS**

- 4,172,549 A \* 10/1979 Yoshida ..... 206/439.1
- 4,248,901 A \* 2/1981 Austin ..... 229/108
- D280,703 S \* 9/1985 Strobe ..... D9/430
- 5,740,913 A \* 4/1998 McFarland ..... 206/439.5
- D477,219 S \* 7/2003 Waterhouse et al. .... D9/430

FIG. 1 is a perspective view of a multi-sided tissue box, showing my new design;  
 FIG. 2 is a front elevational view;  
 FIG. 3 is rear elevational view;  
 FIG. 4 is a left side elevational view;  
 FIG. 5 is a right side elevational view;  
 FIG. 6 is a top plan view; and,  
 FIG. 7 is a bottom plan view of a multi-sided tissue box, showing my new design.

**1 Claim, 2 Drawing Sheets**



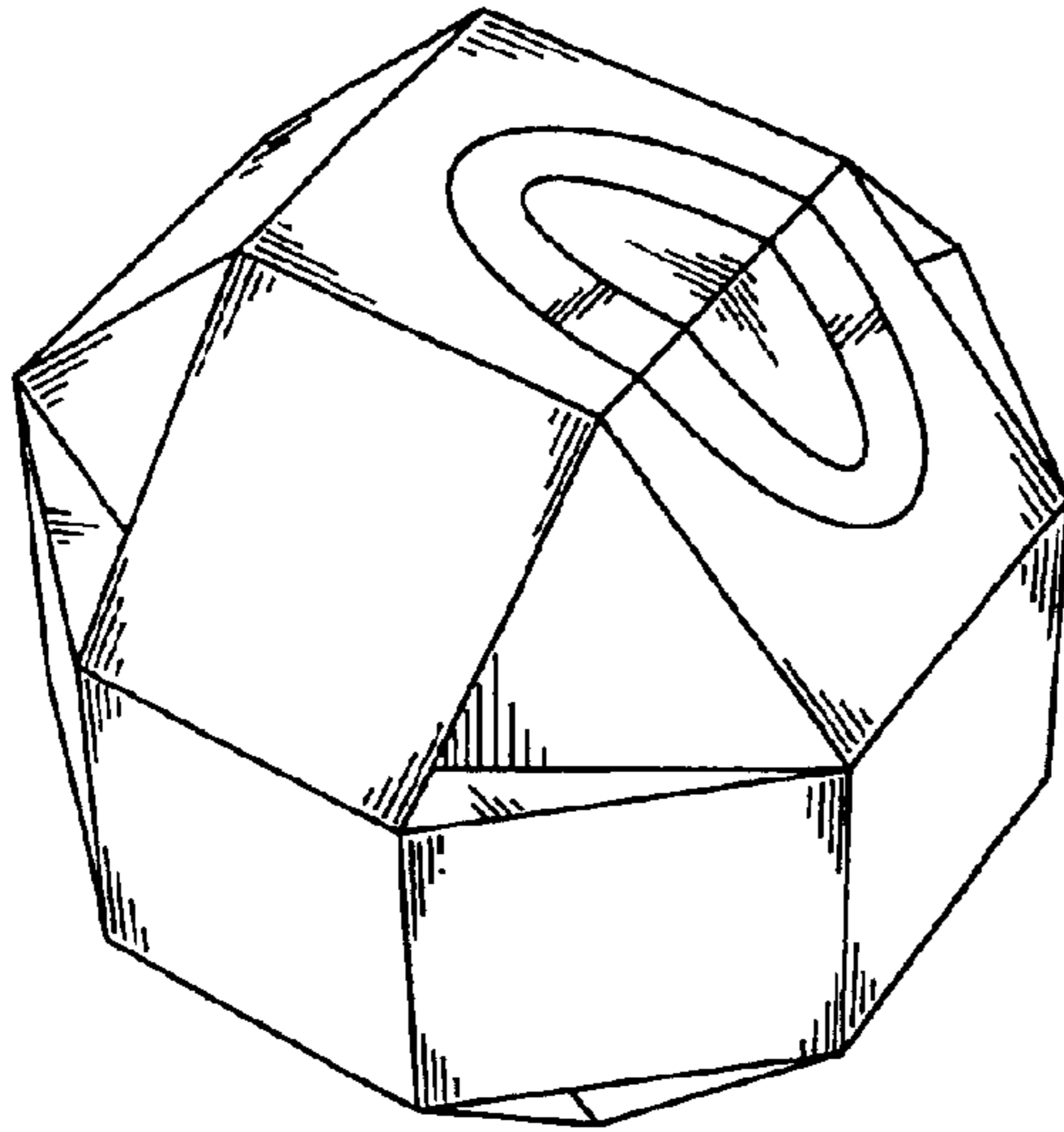


FIG. 1

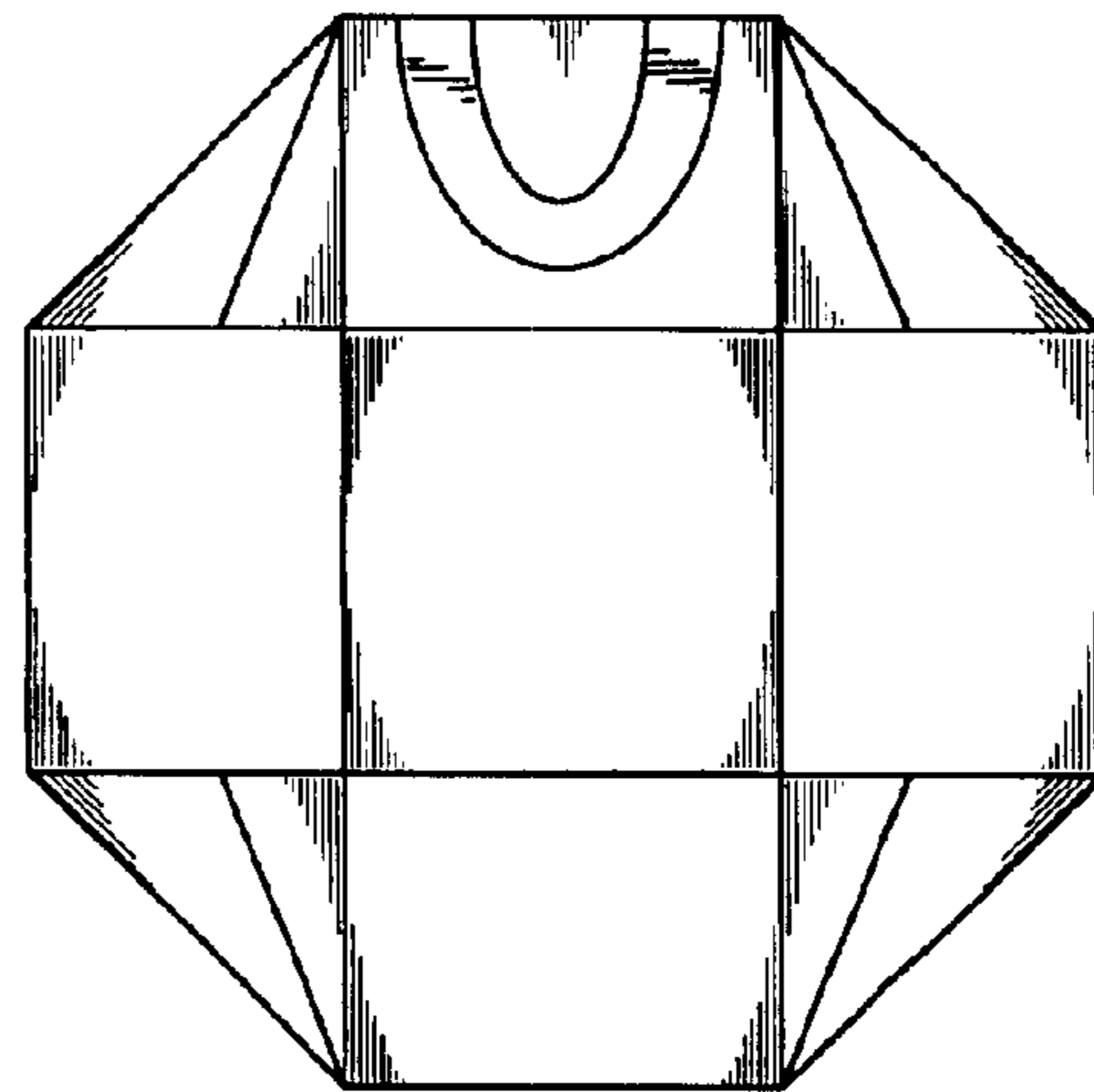


FIG. 2

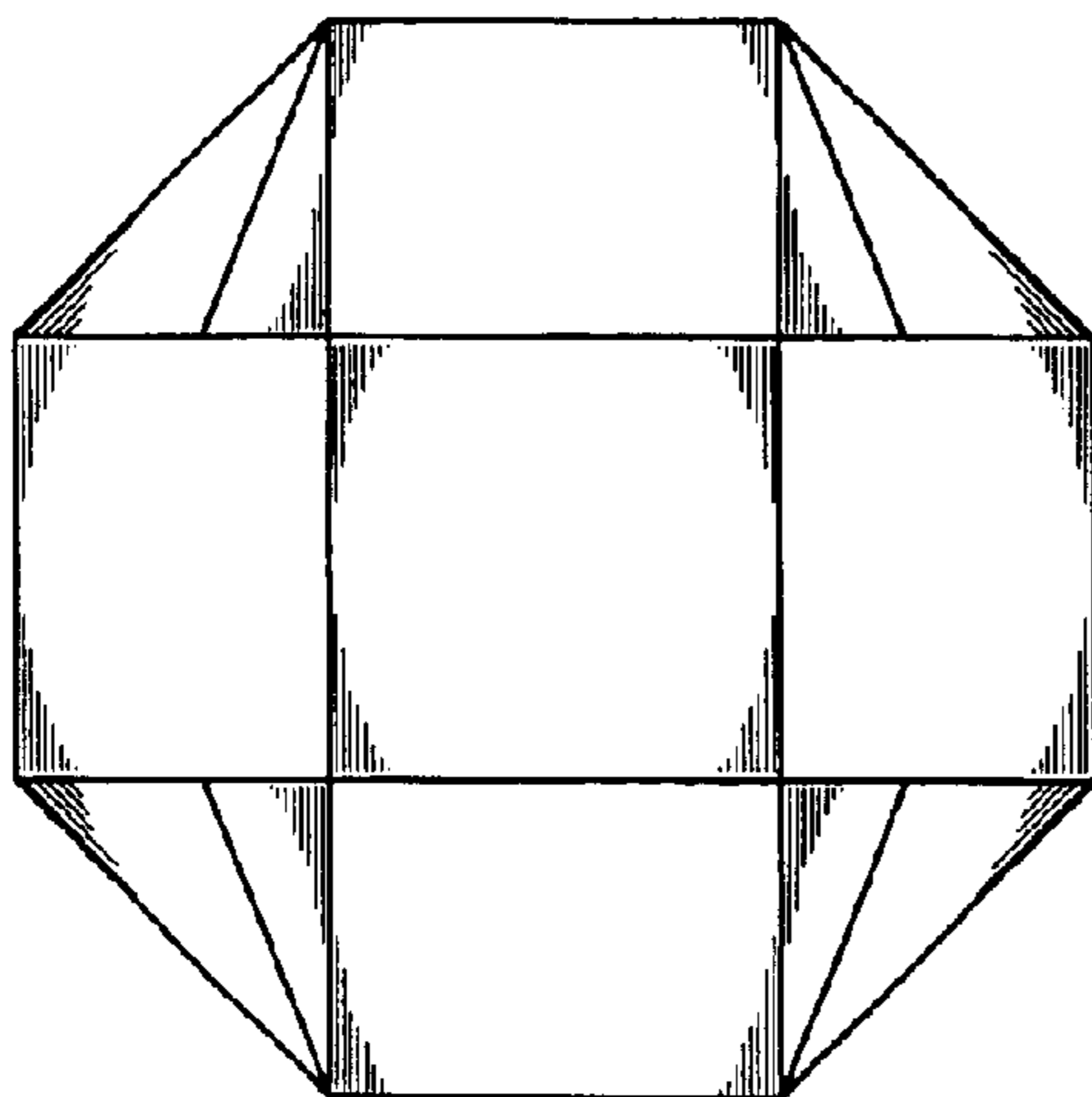


FIG. 3

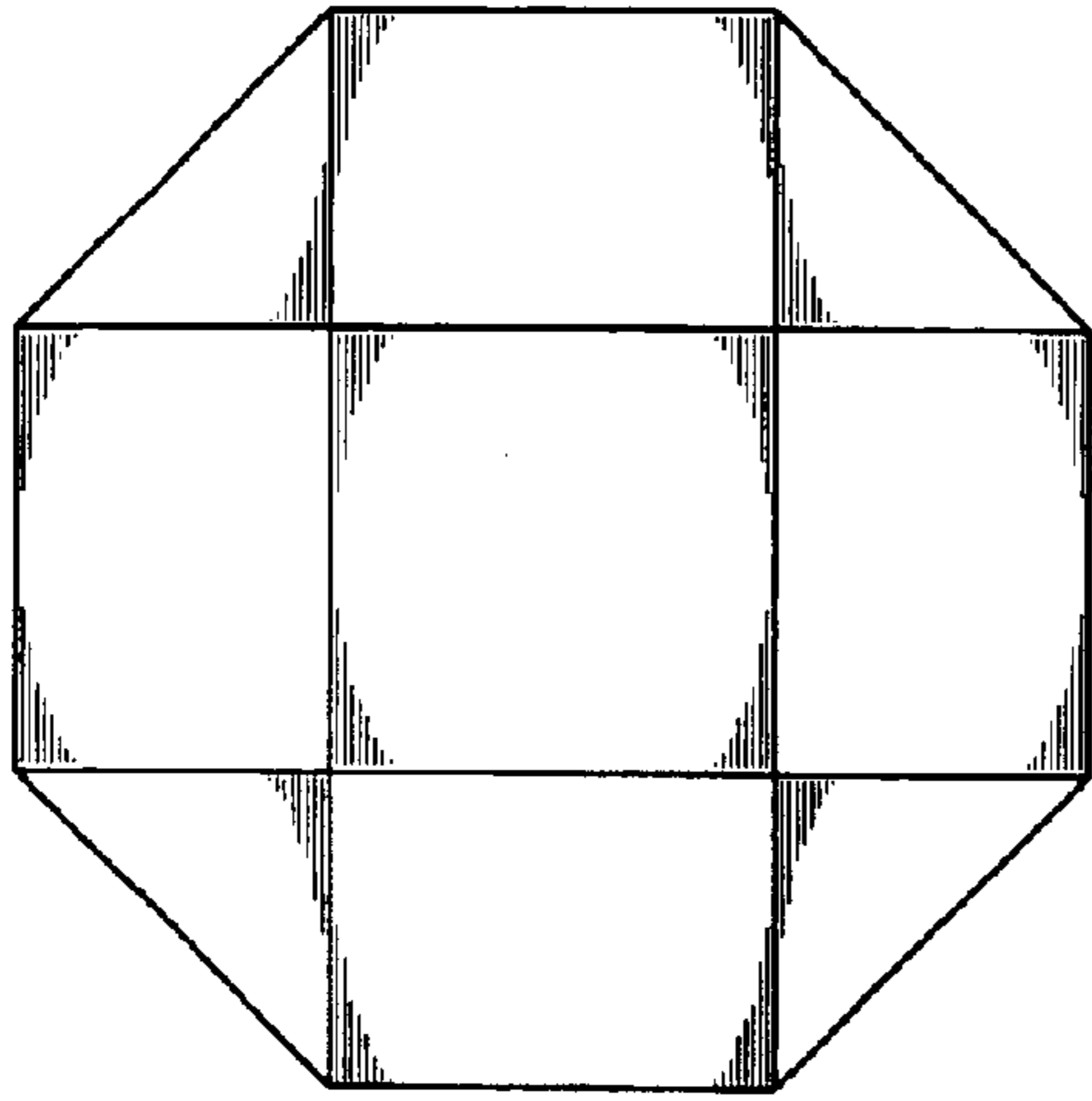


FIG. 4

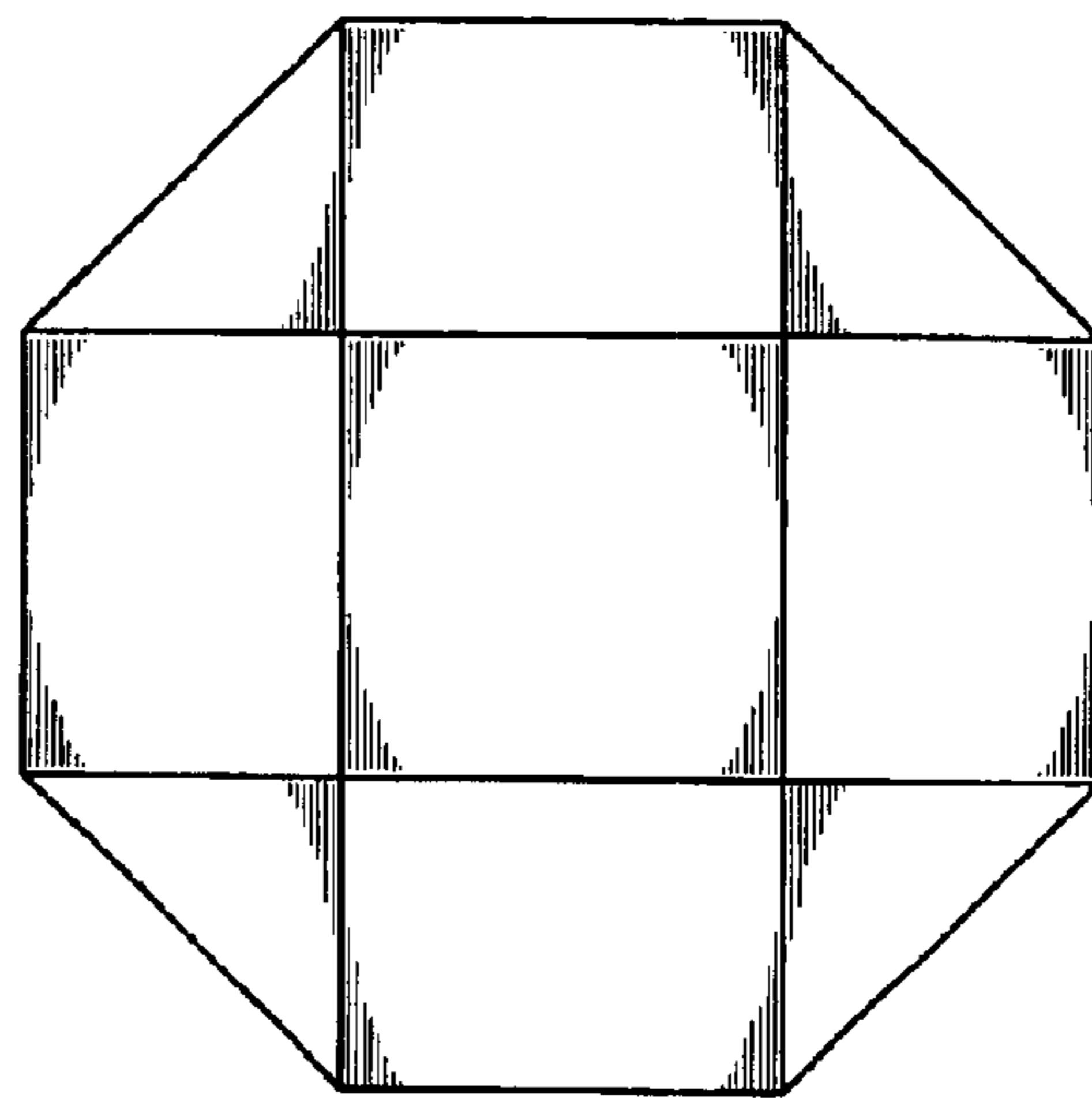


FIG. 5

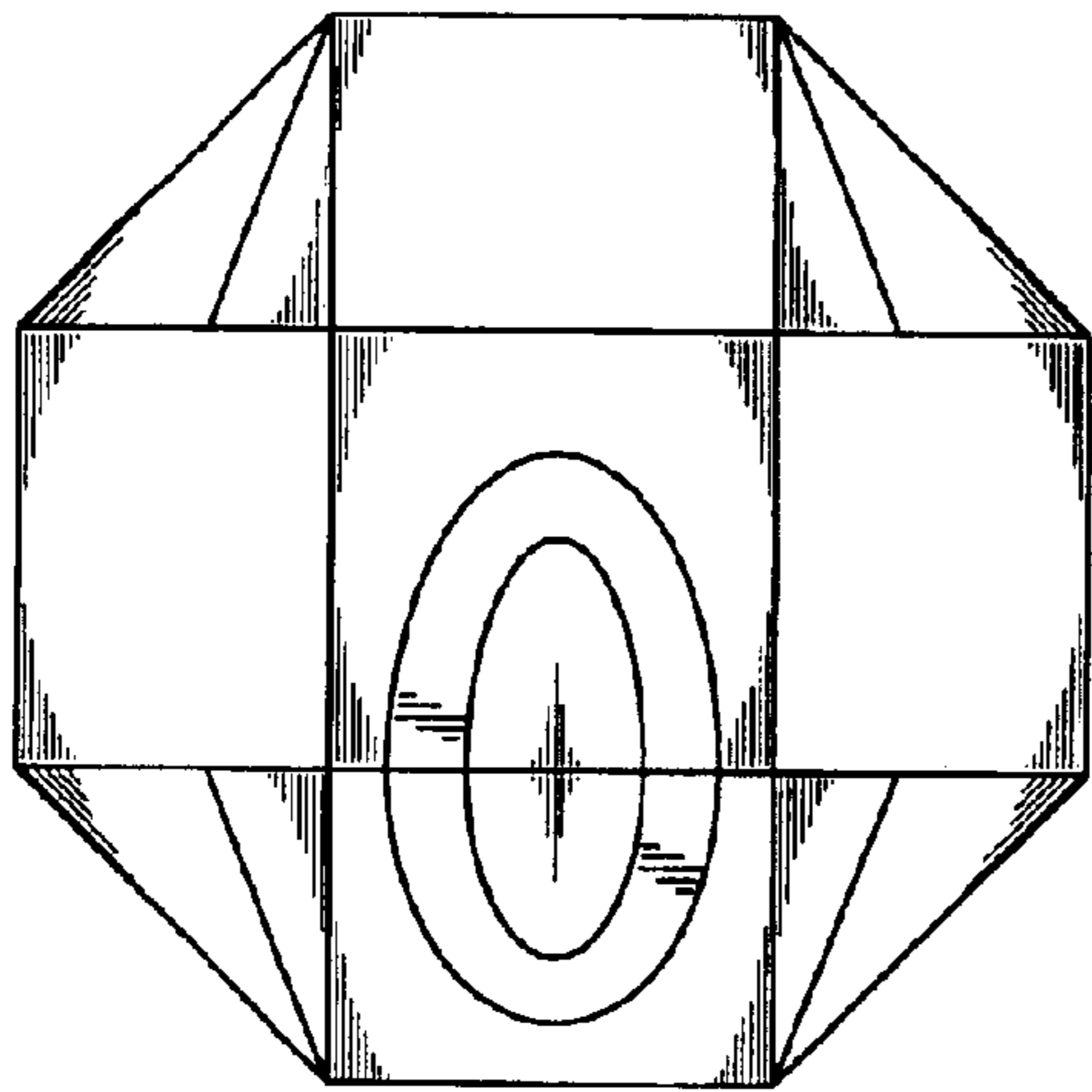


FIG. 6

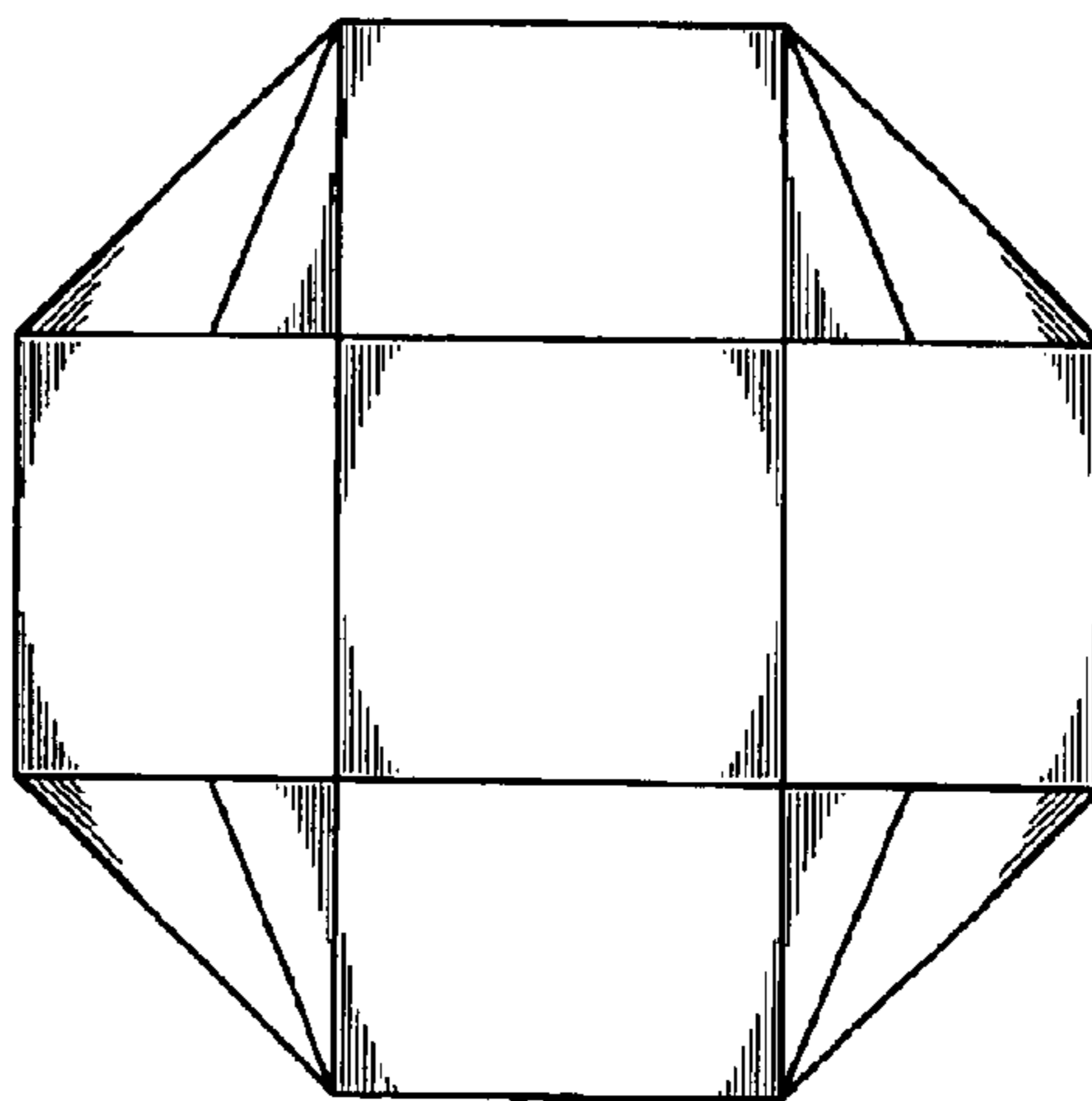


FIG. 7