

US00D507958S

(12) **United States Design Patent** (10) **Patent No.:** **US D507,958 S**  
**Freeman et al.** (45) **Date of Patent:** **\*\* \*Aug. 2, 2005**

(54) **ILLUMINATED KEY BLANK**

5,729,057 A \* 3/1998 Frenzel et al. .... 307/10.3  
 5,937,681 A \* 8/1999 Myhr et al. .... 70/456 R

(76) Inventors: **Daniel Freeman**, 5842 Hilltop Rd.,  
 Calabasas, CA (US) 91302; **Ari  
 Freeman**, 20 Sunnyside Ave., Suite B,  
 Mill Valley, CA (US) 94941

\* cited by examiner

*Primary Examiner*—Prabhakar Deshmukh  
 (74) *Attorney, Agent, or Firm*—Levisohn, Berger &  
 Langsam, LLP

(\* ) Notice: This patent is subject to a terminal disclaimer.

(\*\* ) Term: **14 Years**

(57) **CLAIM**

The design for an illuminated key blank, substantially as shown and described.

(21) Appl. No.: **29/213,640**

**DESCRIPTION**

(22) Filed: **Sep. 21, 2004**

**Related U.S. Application Data**

(62) Division of application No. 29/196,066, filed on Dec. 19, 2003, now Pat. No. Des. 496,848.

(51) **LOC (8) Cl.** ..... **08-07**

(52) **U.S. Cl.** ..... **D8/347**

(58) **Field of Search** ..... D8/347, 348, 331;  
 70/336, 344, 382, 387, 408, 413, 447, 460;  
 362/110, 109, 116

FIG. 1 is a front perspective view of an illuminated key blank according to the invention.

FIG. 2 is a front elevation view of an illuminated key blank according to the invention.

FIG. 3 is a rear elevation view of an illuminated key blank according to the invention.

FIG. 4 is a left elevation view of an illuminated key blank according to the invention.

FIG. 5 is a right elevation view of an illuminated key blank according to the invention.

FIG. 6 is a top elevation view of an illuminated key blank according to the invention; and,

FIG. 7 is a bottom elevation view of an illuminated key blank according to the invention.

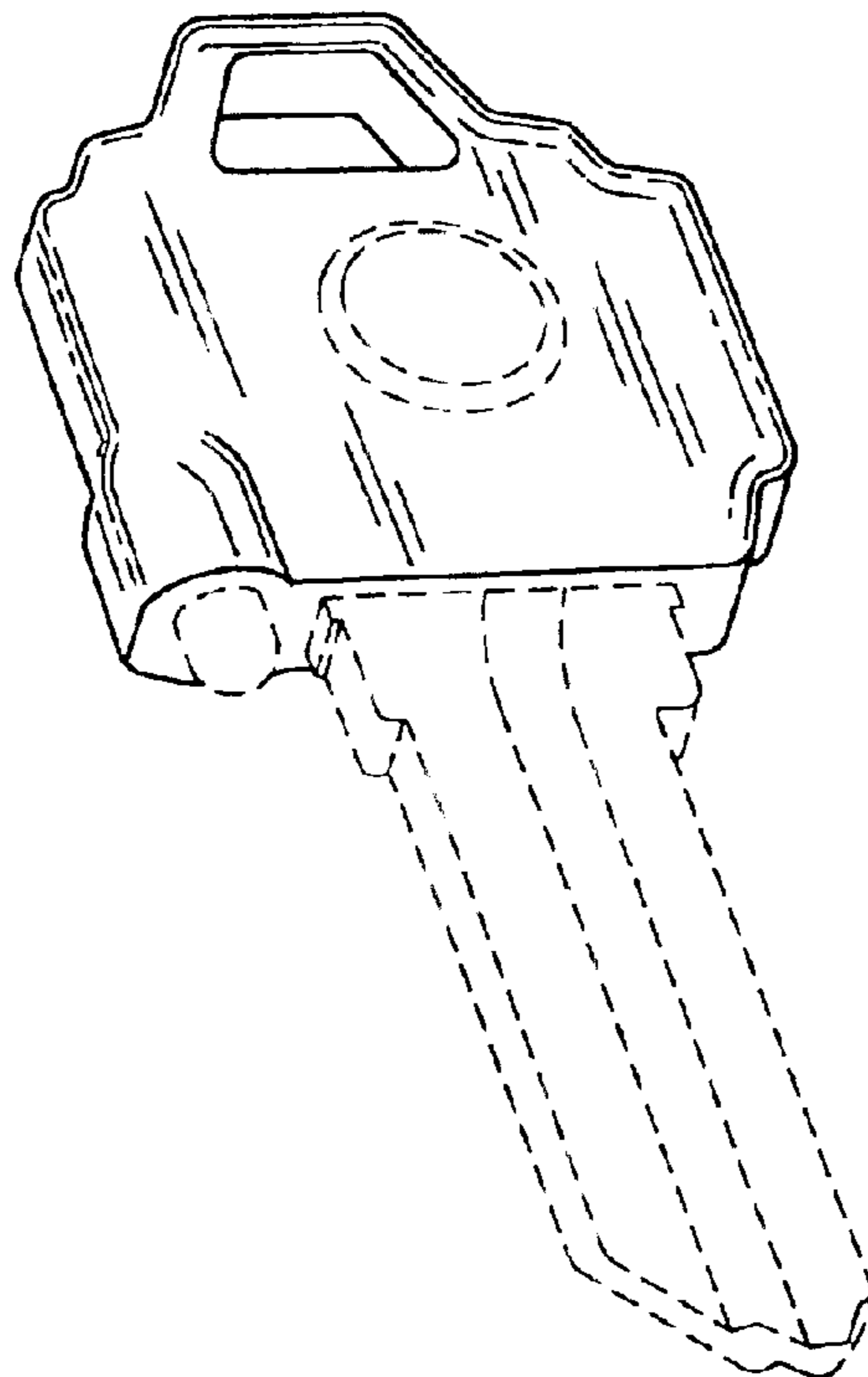
The broken line portions of the drawings, including the button, the light bulb, and the key blade are environmental and do not form part of the claimed design.

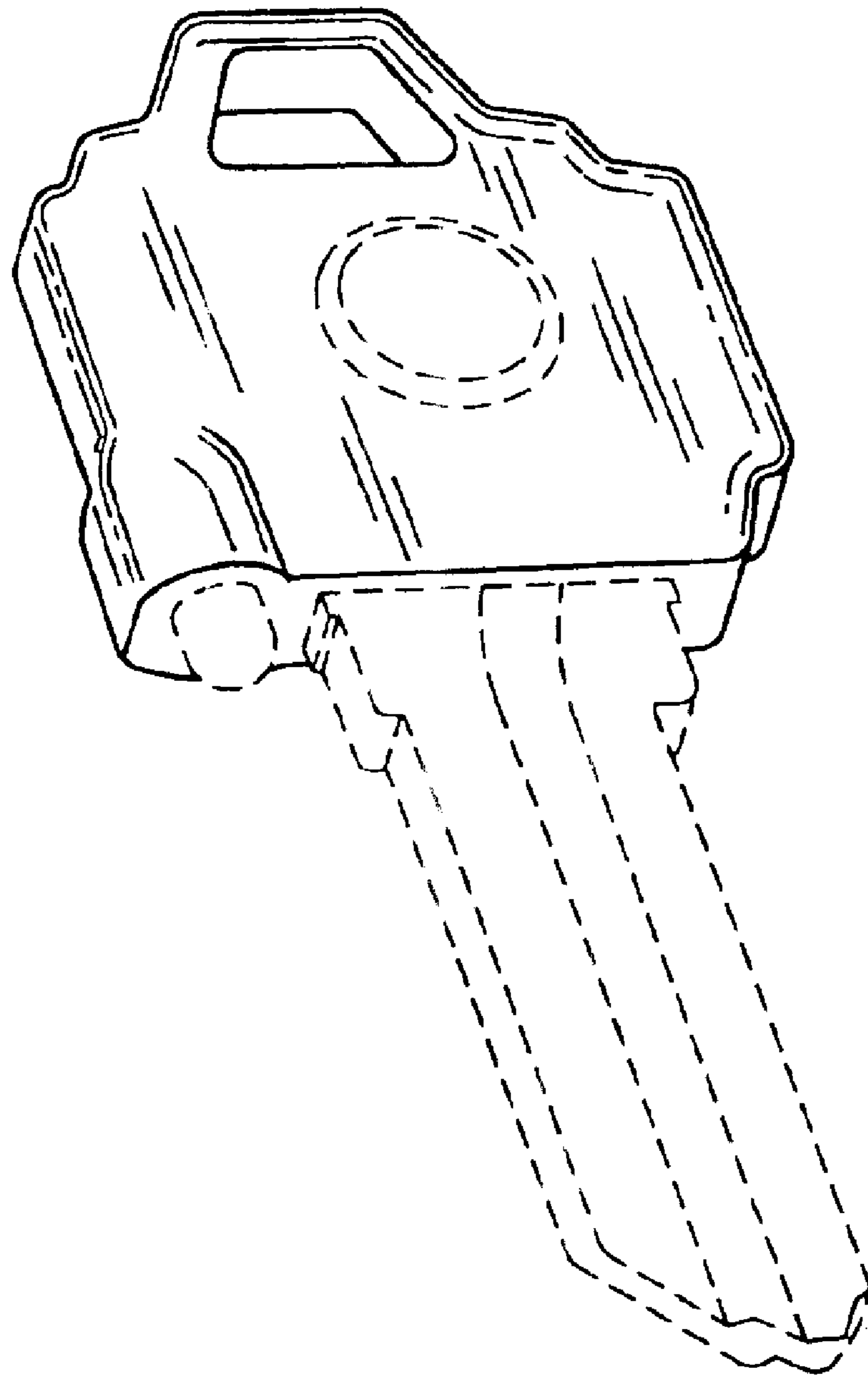
(56) **References Cited**

**U.S. PATENT DOCUMENTS**

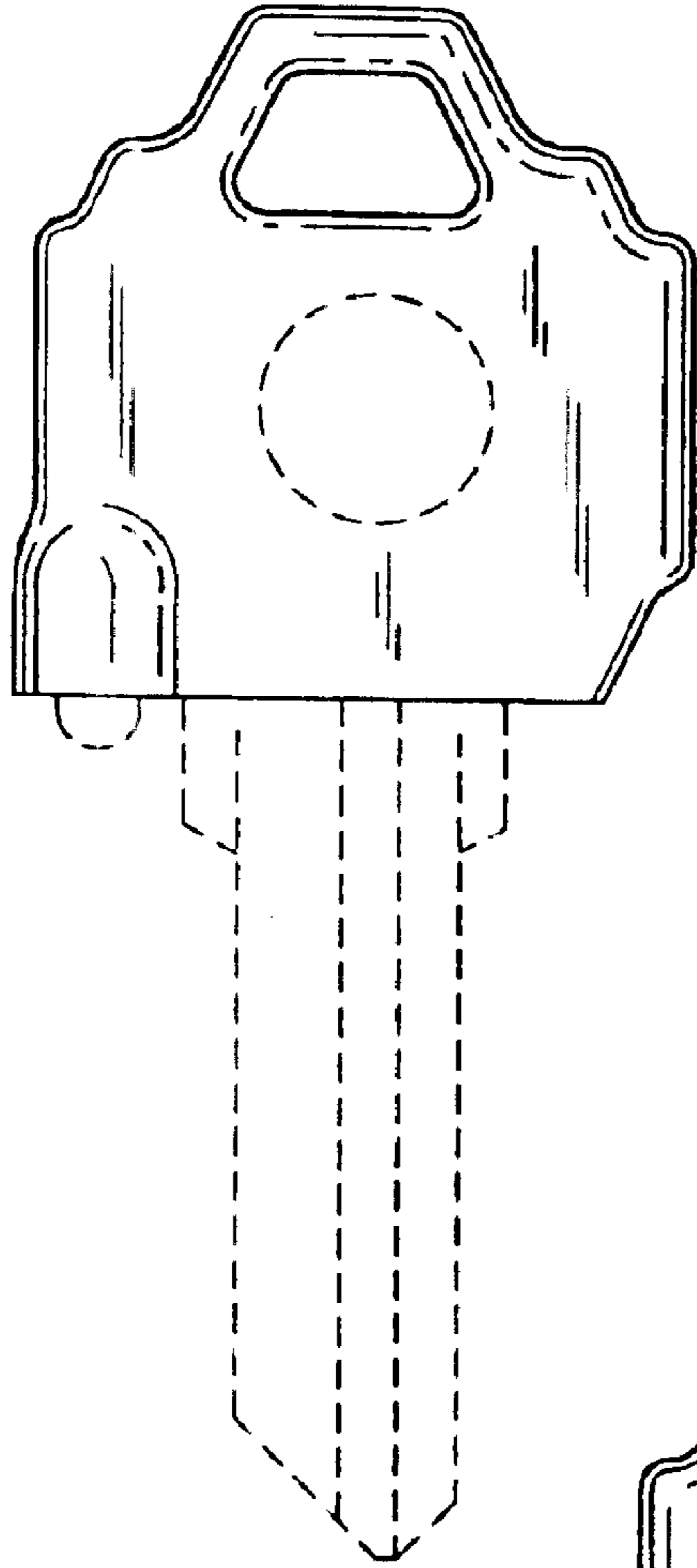
4,276,582 A \* 6/1981 Burnett ..... 362/116  
 4,303,966 A \* 12/1981 Wolter ..... 362/116  
 D271,279 S \* 11/1983 Cziment ..... D8/347  
 D307,704 S \* 5/1990 Vonlanthen ..... D8/347  
 5,515,248 A \* 5/1996 Canfield et al. .... 362/116

**1 Claim, 4 Drawing Sheets**

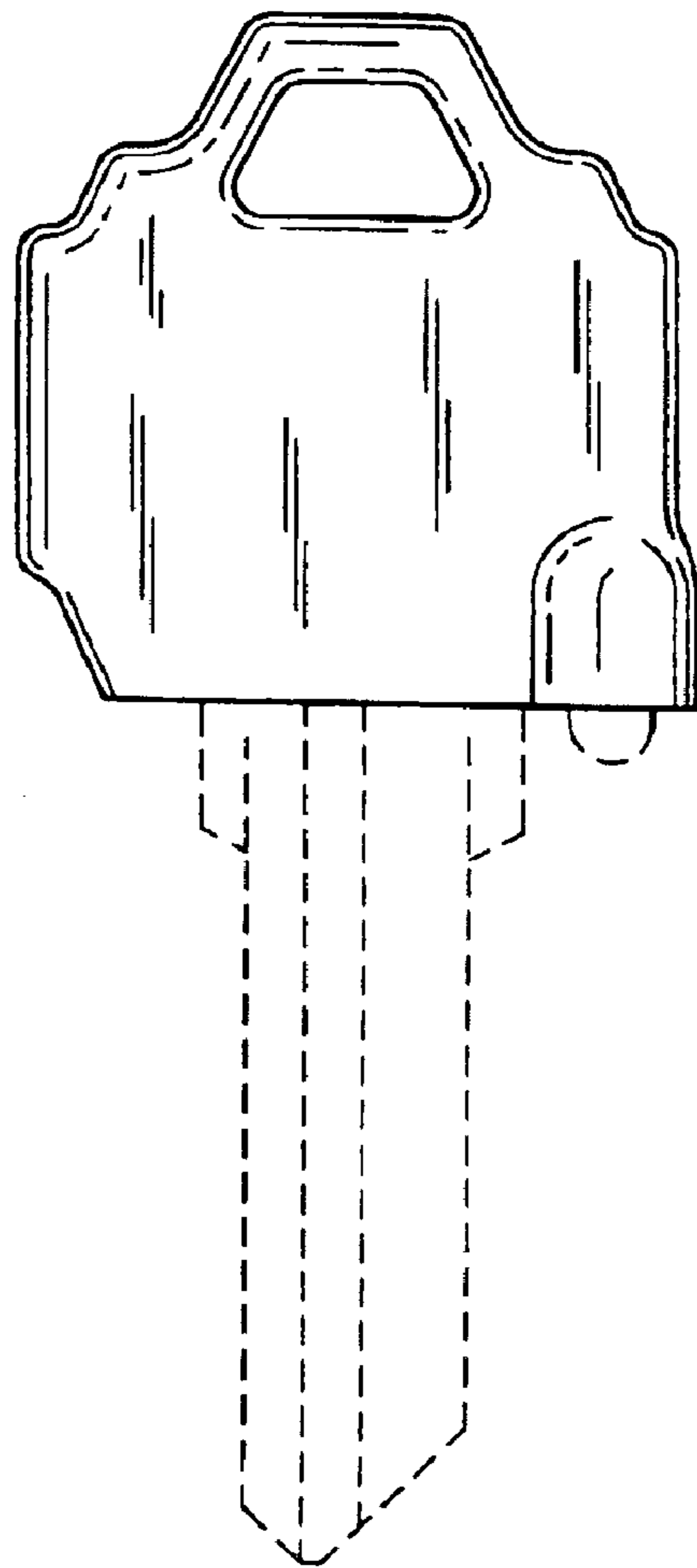




**FIG. 1**



*FIG. 2*



*FIG. 3*

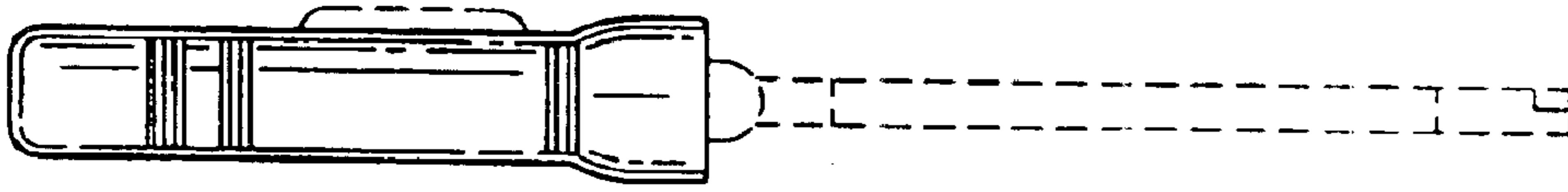


FIG. 5

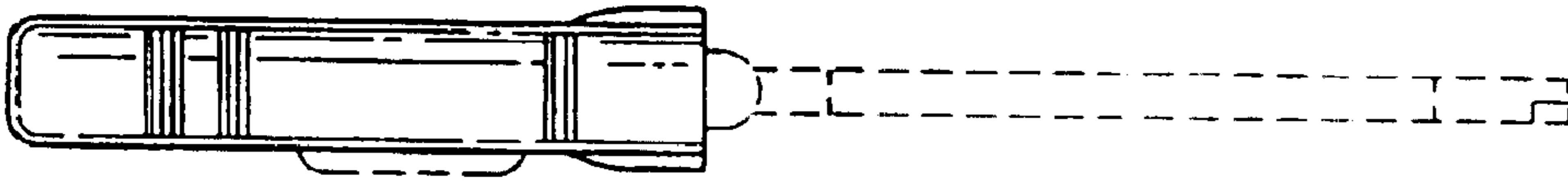
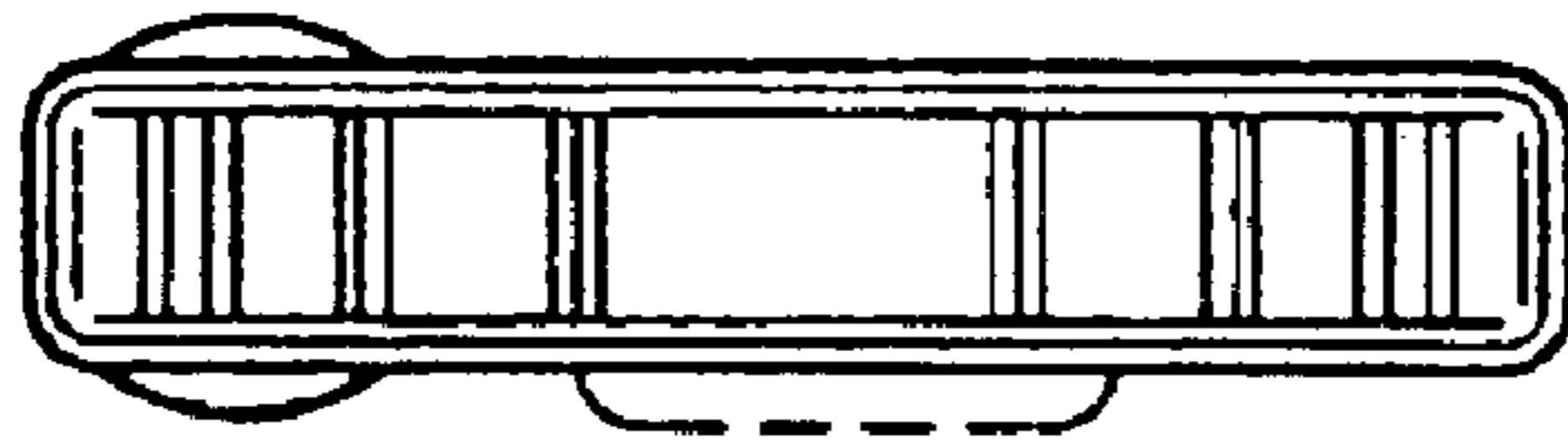
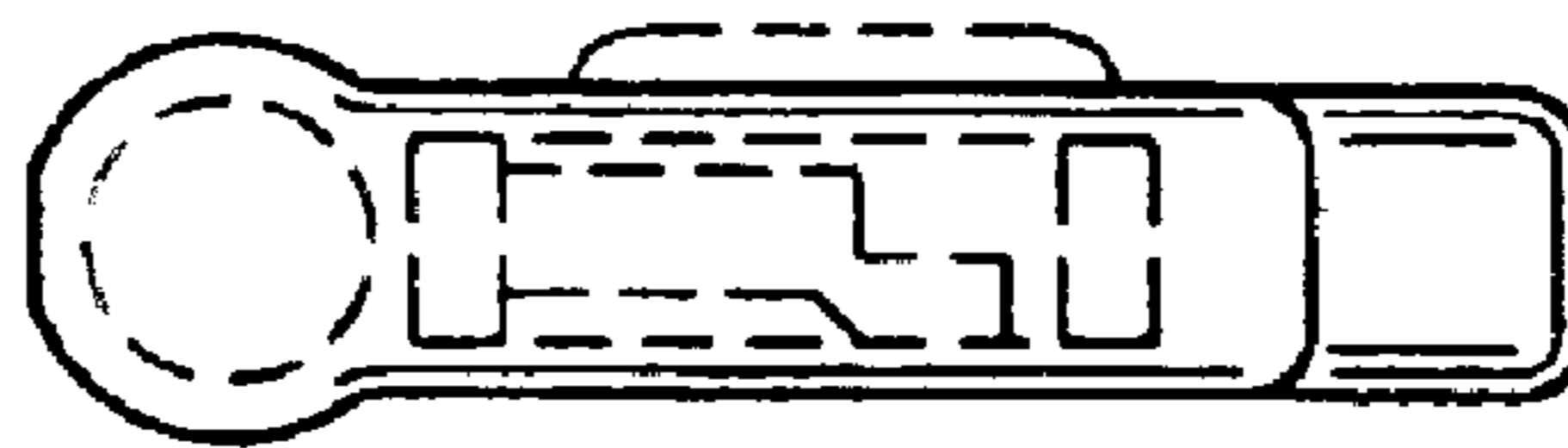


FIG. 4



*FIG. 6*



*FIG. 7*