

US00D507957S

(12) **United States Design Patent** (10) **Patent No.:** **US D507,957 S**
Nipke (45) **Date of Patent:** **** Aug. 2, 2005**

- (54) **GRILL LID HINGE** 2,182,663 A 12/1939 Eby et al.
 2,235,479 A * 3/1941 Gough 16/245
 (75) Inventor: **Mike Nipke**, Grandville, MI (US) 2,274,433 A 2/1942 Schulz
 2,314,791 A 3/1943 Jones
 (73) Assignee: **Vendor Development Group, Inc.**, 2,347,980 A 5/1944 Apfelbaum
 Grand Rapids, MI (US) D139,850 S 12/1944 Frenning
 2,431,905 A 12/1947 Anicetti
 (**) Term: **14 Years** 2,511,594 A 6/1950 Loffredo
 2,512,223 A 6/1950 Contiguglia
 D163,090 S 5/1951 Campbell

(21) Appl. No.: **29/205,237**
 (22) Filed: **May 10, 2004**

- (51) **LOC (8) Cl.** **08-06**
 (52) **U.S. Cl.** **D8/323**
 (58) **Field of Search** D8/323, 324, 325,
 D8/326, 327, 328, 329, 349, 354, 356;
 16/234-237, 239, 241, 245-246, 249, 254,
 261-262, 265, 272, 277, 307, 319, 335,
 339, 342, 379, 382, 383, 384, 385, 386,
 387, 388, 389, 221, DIG. 13, DIG. 40,
 DIG. 43; 4/236, 237, 238, 239, 240; D23/303;
 248/200, 221.11, 300, 309.1, 317; D7/334,
 337, 402

(56) **References Cited**
U.S. PATENT DOCUMENTS

101,177 A	3/1870	Stevenson	
RE4,652 E	11/1871	Roe	
479,652 A	7/1892	Marcee	
678,024 A	7/1901	Norpis	
758,472 A	4/1904	Reams	
1,055,311 A	3/1913	Blount	
D44,522 S	8/1913	Curtiss	
1,157,713 A	* 10/1915	Morrow	16/384
1,394,228 A	10/1921	Sheridan	
1,460,928 A	7/1923	Tilden	
1,462,578 A	7/1923	Kashinsky	
1,596,367 A	8/1926	Miller	
1,603,741 A	* 10/1926	Bridler	16/382
1,783,183 A	12/1930	Dibble	
2,032,221 A	2/1936	Myers	

(Continued)

OTHER PUBLICATIONS

Merco Owner's Manual, copyright 1995, "Meco Swinger Grill".
 Merchandising, vol. 6, Jan. 1981, p. 113, "Structo Barbecue Grill".

Primary Examiner—Gary D. Watson
Assistant Examiner—T. Chase Nelson
 (74) *Attorney, Agent, or Firm*—McAndrews, Held & Malloy, Ltd.

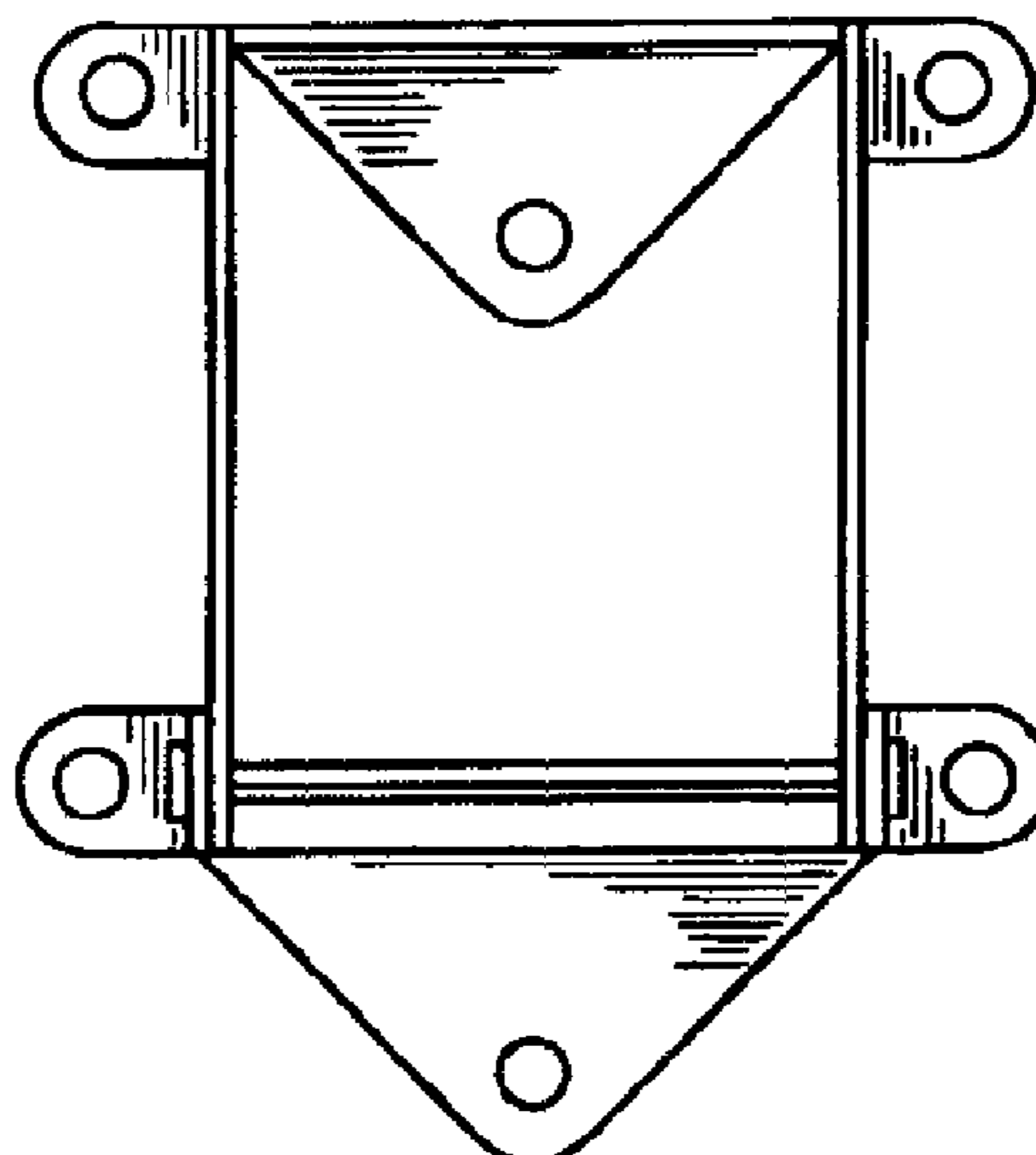
(57) **CLAIM**

The ornamental design for the grill lid hinge, as shown and described.

DESCRIPTION

FIG. 1 is a front view of a grill lid hinge according to the present invention;
 FIG. 2 is a left-side view of the hinge of FIG. 1;
 FIG. 3 is a top view of the hinge of FIG. 1;
 FIG. 4 is a rear view of the hinge of FIG. 1;
 FIG. 5 is a bottom view of the hinge of FIG. 1; and,
 FIG. 6 is a front view of the hinge of FIG. 1 in condition of use, it being understood that the broken line showing of environmental structure is for illustrative purposes only and forms no part of the claimed design.

1 Claim, 2 Drawing Sheets



US D507,957 S

U.S. PATENT DOCUMENTS

D165,497 S	12/1951	Waas		D231,070 S	4/1974	Koziol
D165,998 S	2/1952	Pollard		3,806,987 A	4/1974	Koziol
2,600,234 A	6/1952	Foley		3,812,840 A	5/1974	Whaler
2,621,586 A	12/1952	Roney		D231,892 S	6/1974	Warshauer
2,641,243 A	6/1953	Goss		3,822,456 A	7/1974	Petruzzi
2,666,425 A	1/1954	Hasting, Jr.		3,841,299 A	10/1974	Tomita
D171,639 S	3/1954	Clemens, Jr.		D233,585 S	11/1974	Thomas
2,728,334 A	12/1955	Paoella		3,865,052 A	2/1975	Streets et al.
2,746,378 A	5/1956	Lang		D237,578 S	11/1975	Thomas
D179,345 S	12/1956	Henry		3,974,821 A	8/1976	Storandt
2,780,392 A	2/1957	Nonhof		3,981,292 A	9/1976	Lilley et al.
2,787,995 A	4/1957	Alter		D243,309 S	2/1977	Reunanen
D184,732 S	* 3/1959	Heyer	D8/329	4,008,971 A	2/1977	Wah et al.
2,886,386 A	5/1959	Spitzer		4,034,662 A	7/1977	McLane
2,920,614 A	1/1960	Phelps		4,083,641 A	4/1978	Sado
2,932,479 A	4/1960	Leach		D250,317 S	11/1978	Simmons
D188,879 S	9/1960	Gauss et al.		D251,230 S	3/1979	Adams
D189,682 S	1/1961	Bloomfield		D252,248 S	7/1979	Huff
3,008,175 A	* 11/1961	Biedinger et al.	D8/327	4,192,283 A	3/1980	Kridler
D192,199 S	2/1962	Watson et al.		4,209,006 A	6/1980	Marsalko
3,025,848 A	3/1962	Malgesini		D255,863 S	7/1980	Futch
D193,163 S	7/1962	Levi		4,227,510 A	10/1980	Frazier et al.
3,046,970 A	7/1962	Seaman		4,273,096 A	6/1981	Hannebaum
3,073,263 A	1/1963	Wynkoop		4,281,633 A	8/1981	Wackerman
D196,552 S	10/1963	Mayer		4,302,181 A	11/1981	Schlosser
D196,996 S	11/1963	Kates		4,331,123 A	5/1982	Alles et al.
3,111,337 A	11/1963	Kates		4,331,127 A	5/1982	Grosso
3,126,881 A	3/1964	Blotsky, Jr.		4,332,188 A	6/1982	Rhear
D198,822 S	8/1964	Lyemance		4,332,235 A	6/1982	Hannebaum
D200,137 S	1/1965	Hanna		4,337,751 A	7/1982	Sampson et al.
3,167,642 A	1/1965	Reis		4,340,027 A	7/1982	Fuss
3,200,806 A	8/1965	Goldstein		4,353,347 A	10/1982	Seed
3,209,743 A	10/1965	Stewart et al.		4,362,093 A	12/1982	Griscom
3,216,379 A	11/1965	Durfee		4,382,432 A	5/1983	Lizdas
3,217,634 A	11/1965	Fox		4,390,002 A	6/1983	Daily, III
3,276,440 A	10/1966	Sazegar		D269,758 S	7/1983	Braswell
D207,567 S	5/1967	Helgeson		D269,839 S	7/1983	Givens, III
D208,179 S	7/1967	King et al.		D270,988 S	10/1983	Anderson
3,330,266 A	7/1967	Stephen		4,453,530 A	6/1984	Schlosser
3,380,444 A	4/1968	Stalker		4,458,585 A	7/1984	Erbach
3,385,281 A	5/1968	O'Russa		4,463,746 A	8/1984	Knuth et al.
D211,919 S	8/1968	Harff et al.		4,498,452 A	2/1985	Schlosser et al.
D214,220 S	5/1969	Ver Halen		D278,021 S	3/1985	Schlosser et al.
3,453,975 A	7/1969	Gunter		4,510,916 A	4/1985	Ogden
D215,250 S	9/1969	McClaren		4,523,574 A	6/1985	Schlosser
3,499,399 A	3/1970	Kaufmann		D279,537 S	7/1985	Taylor et al.
3,500,812 A	3/1970	Korngold		D280,282 S	8/1985	Erbach et al.
3,520,290 A	7/1970	Winters		4,535,749 A	8/1985	Schlosser
3,533,393 A	10/1970	Haapanen		4,553,524 A	11/1985	Wheat et al.
3,538,906 A	11/1970	Heraty et al.		D282,619 S	2/1986	Fitzgerald et al.
D219,413 S	12/1970	Glaser		4,567,876 A	2/1986	Ogden
D219,629 S	12/1970	Koziol		4,576,140 A	3/1986	Schlosser
D219,693 S	1/1971	Hahn		4,593,676 A	6/1986	Wackerman
3,567,065 A	3/1971	Dinse		D284,929 S	8/1986	Schlosser et al.
D222,311 S	10/1971	Wilkinson et al.		4,603,679 A	8/1986	Ogden
3,611,910 A	10/1971	Hughes		4,630,593 A	12/1986	Gremillion
3,611,915 A	10/1971	Glaser		4,635,613 A	1/1987	Tucker et al.
3,617,022 A	11/1971	Wiggins		4,667,916 A	5/1987	Richards
D223,042 S	2/1972	Wilkinson et al.		4,677,964 A	7/1987	Lohmeyer et al.
3,638,634 A	2/1972	Bolitho		4,683,866 A	8/1987	Bales et al.
3,683,791 A	8/1972	Rast		4,688,541 A	8/1987	Stephen et al.
3,688,758 A	9/1972	Stephen, Jr.		D291,855 S	9/1987	Erbach et al.
3,714,937 A	2/1973	Linstead		4,699,120 A	10/1987	Ogden
3,734,076 A	5/1973	Kiziol		D293,067 S	12/1987	Stephen et al.
D227,643 S	7/1973	Koziol		D293,191 S	12/1987	Stephen et al.
3,759,164 A	9/1973	Robinson		4,718,399 A	1/1988	Shepard
D229,625 S	12/1973	Thomas		4,727,853 A	3/1988	Stephen et al.
D229,660 S	12/1973	Gammon		D295,135 S	4/1988	Ogden
3,785,275 A	1/1974	Keats et al.		4,735,390 A	4/1988	Richards
3,791,368 A	2/1974	Hunt		4,741,322 A	5/1988	Lin
				4,762,114 A	8/1988	Blankemeyer

US D507,957 S

4,763,640 A	8/1988	Schnack et al.	D404,963 S	2/1999	Schlosser et al.	
4,777,927 A	10/1988	Stephen et al.	5,865,099 A	2/1999	Waugh	
D298,406 S	11/1988	Stephen et al.	D409,436 S	5/1999	Smith	
4,793,580 A	12/1988	Richards	D412,086 S	7/1999	Bossler	
D299,690 S	2/1989	Schnack et al.	D414,374 S	9/1999	Ting	
4,829,978 A	5/1989	Schlosser et al.	D414,980 S	10/1999	Pai	
D301,673 S	6/1989	Ogden	D415,649 S	10/1999	Pai	
4,836,179 A	6/1989	Schlosser et al.	D415,653 S	10/1999	Schlosser et al.	
D302,641 S	8/1989	Elmburg	D415,925 S	11/1999	Pai	
4,860,724 A	8/1989	Schlosser et al.	D417,362 S	12/1999	Ting	
4,924,845 A	5/1990	Johnson et al.	6,000,389 A	12/1999	Alpert	
4,926,841 A	5/1990	Woolf	D420,546 S	2/2000	Pai	
4,941,817 A	7/1990	Schlosser	6,041,478 A *	3/2000	Martin	16/385
4,942,862 A	7/1990	Alden et al.	D426,101 S	6/2000	Pai	
4,966,125 A	10/1990	Stephen et al.	D426,419 S	6/2000	Kuo	
4,966,126 A	10/1990	Wu	D427,840 S	7/2000	Pai	
D315,079 S	3/1991	Jui-Yen	D428,760 S	8/2000	Huang	
D316,355 S	4/1991	Stephen et al.	D430,717 S	9/2000	Alden et al.	
5,016,607 A	5/1991	Doolittle et al.	D435,387 S	12/2000	Pai	
5,027,788 A	7/1991	Schlosser	6,155,248 A	12/2000	Schlosser et al.	
5,036,832 A	8/1991	Schlosser et al.	D435,998 S	1/2001	Mak	
5,044,265 A	9/1991	Janssen	D437,177 S	2/2001	Giebel et al.	
5,069,196 A	12/1991	Schlosser et al.	6,182,559 B1	2/2001	Chiang	
5,076,252 A	12/1991	Schlosser et al.	6,230,700 B1	5/2001	Daniels et al.	
D322,909 S	1/1992	Parent et al.	6,357,434 B1	3/2002	Bossler	
5,080,313 A	1/1992	Byrum et al.	6,363,925 B1	4/2002	Chavana, Jr. et al.	
D325,315 S	4/1992	Parent et al.	D460,657 S	7/2002	Bossler	
D325,316 S	4/1992	Parent et al.	D461,360 S	8/2002	Bossler	
D325,318 S	4/1992	Parent et al.	6,439,221 B1	8/2002	Ward et al.	
5,111,802 A	5/1992	Lin	D462,563 S	9/2002	Bossler	
D327,390 S	6/1992	Schlosser et al.	D463,707 S	10/2002	Bossler	
D327,805 S	7/1992	Parent et al.	D463,708 S	10/2002	Bossler	
5,159,917 A	11/1992	Archer et al.	D463,709 S	10/2002	Bossler	
5,165,385 A	11/1992	Doolittle et al.	D464,227 S	10/2002	Eisinger et al.	
5,213,075 A	5/1993	Stephen et al.	D464,524 S	10/2002	Pai	
5,299,553 A	4/1994	Giebel et al.	D464,529 S	10/2002	Eisinger et al.	
D350,668 S	9/1994	Giebel et al.	6,474,327 B1	11/2002	Bossler	
D351,308 S	10/1994	Pai	D466,359 S	12/2002	Bossler et al.	
D352,865 S	11/1994	Pai	D466,756 S	12/2002	Bossler et al.	
D355,566 S	2/1995	Stephen et al.	D471,396 S	3/2003	Chiang	
5,394,590 A	3/1995	Yu	6,557,546 B1	5/2003	Gibbons	
D356,924 S	4/1995	Pai	D476,189 S	6/2003	Bossler	
5,566,606 A	10/1996	Johnston	D478,462 S	8/2003	Zhu	
5,572,983 A	11/1996	Schlosser et al.	6,626,090 B2	9/2003	McLemore et al.	
D376,510 S	12/1996	Ting	D480,906 S	10/2003	Pai	
5,640,949 A	6/1997	Smith	D481,256 S	10/2003	Bossler	
D381,557 S	7/1997	Bradley et al.	D482,561 S	11/2003	Yeh	
D381,860 S	8/1997	Chiang	D485,116 S	1/2004	Kwok	
5,749,354 A	5/1998	Lin	6,684,876 B2	2/2004	Bossler	
D395,785 S	7/1998	Lin	D496,821 S	10/2004	Pai	
5,794,608 A	8/1998	Von Berg	D497,281 S	10/2004	Pai	
5,806,510 A	9/1998	Fischer et al.				
5,809,991 A	9/1998	Pai				

* cited by examiner

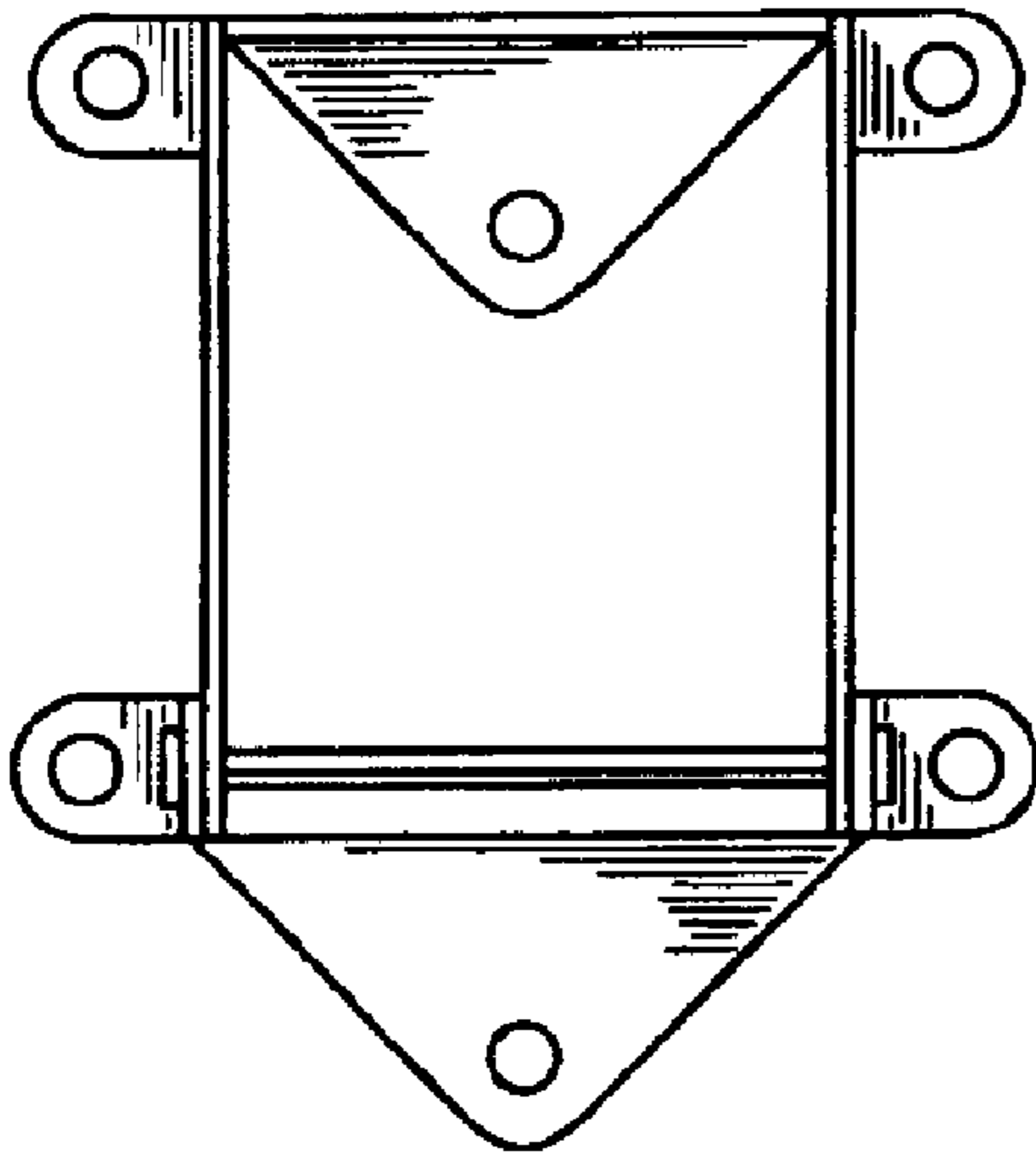


FIG. 1

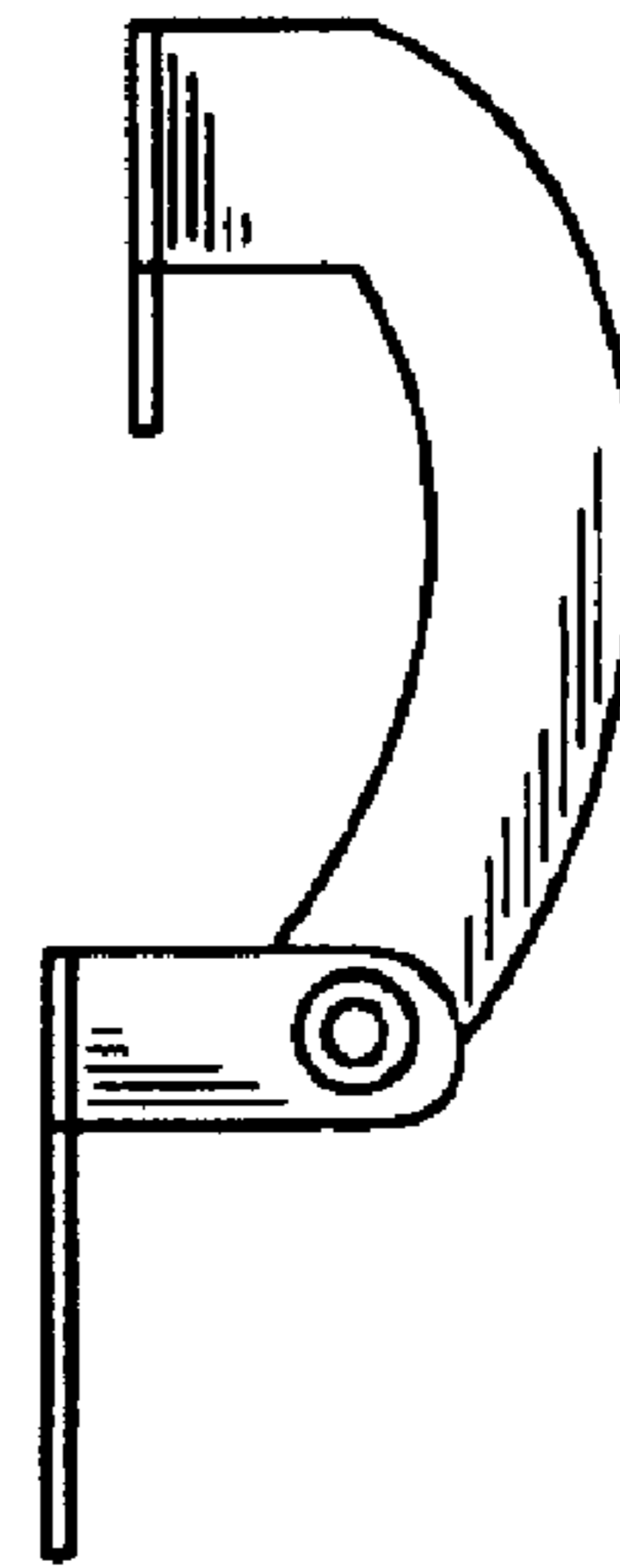


FIG. 2

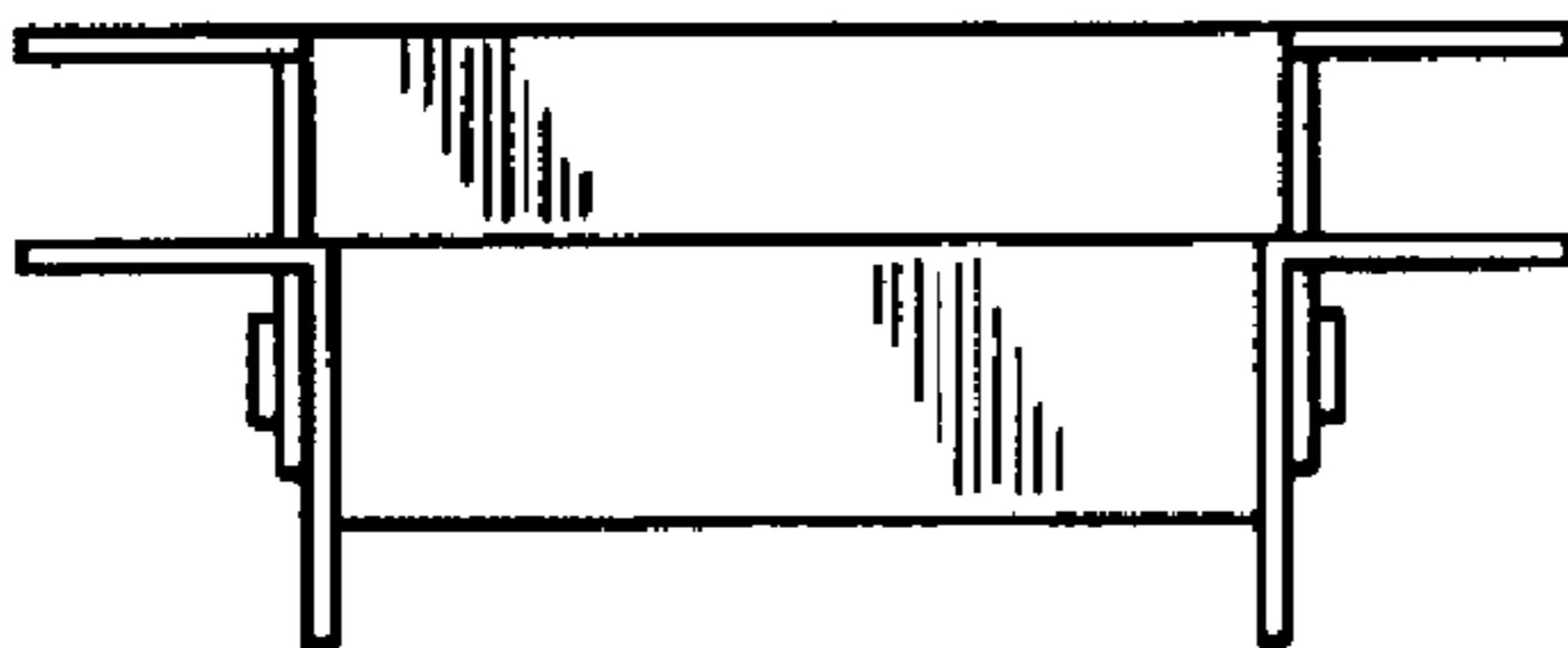


FIG. 3

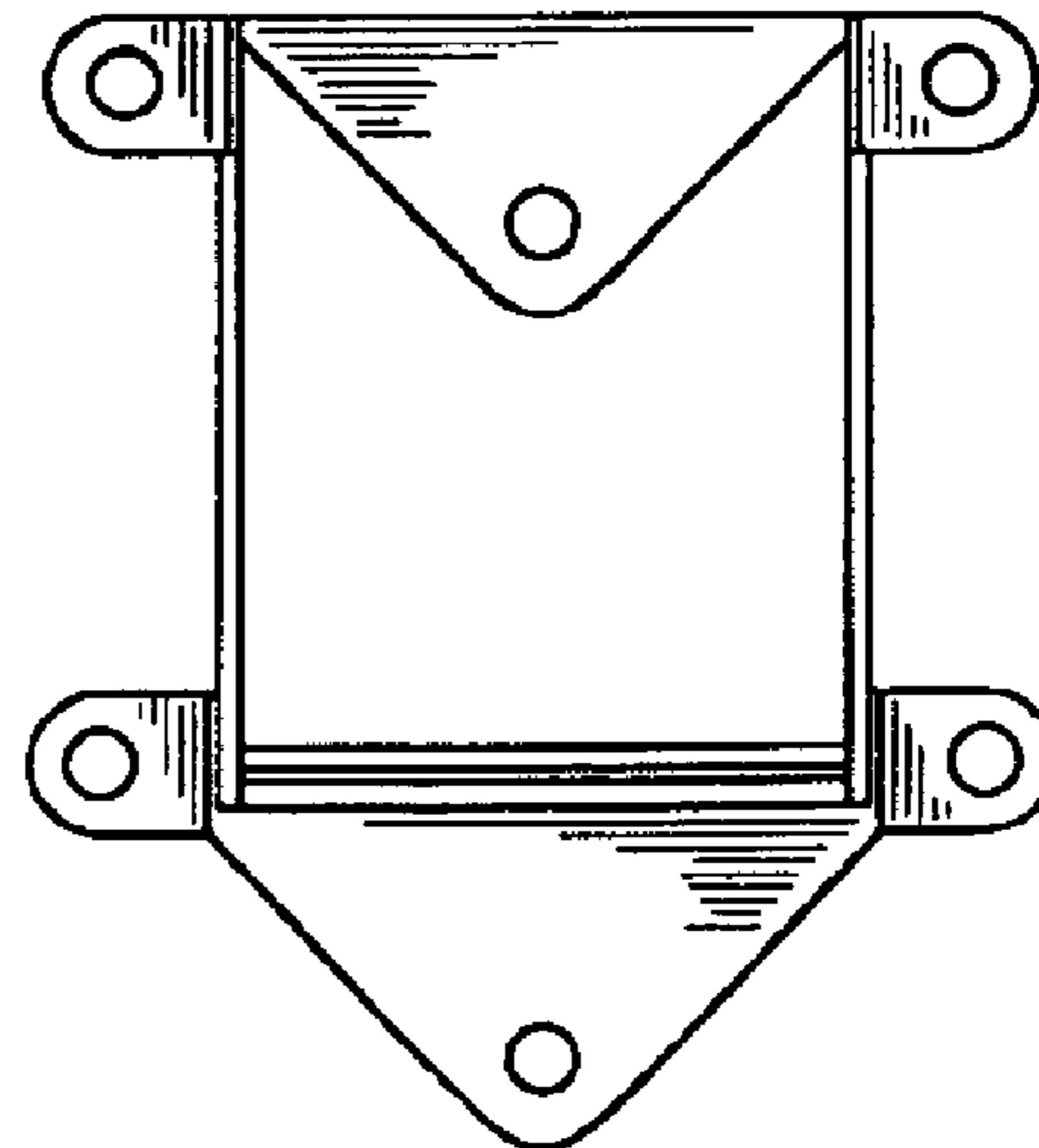


FIG. 4

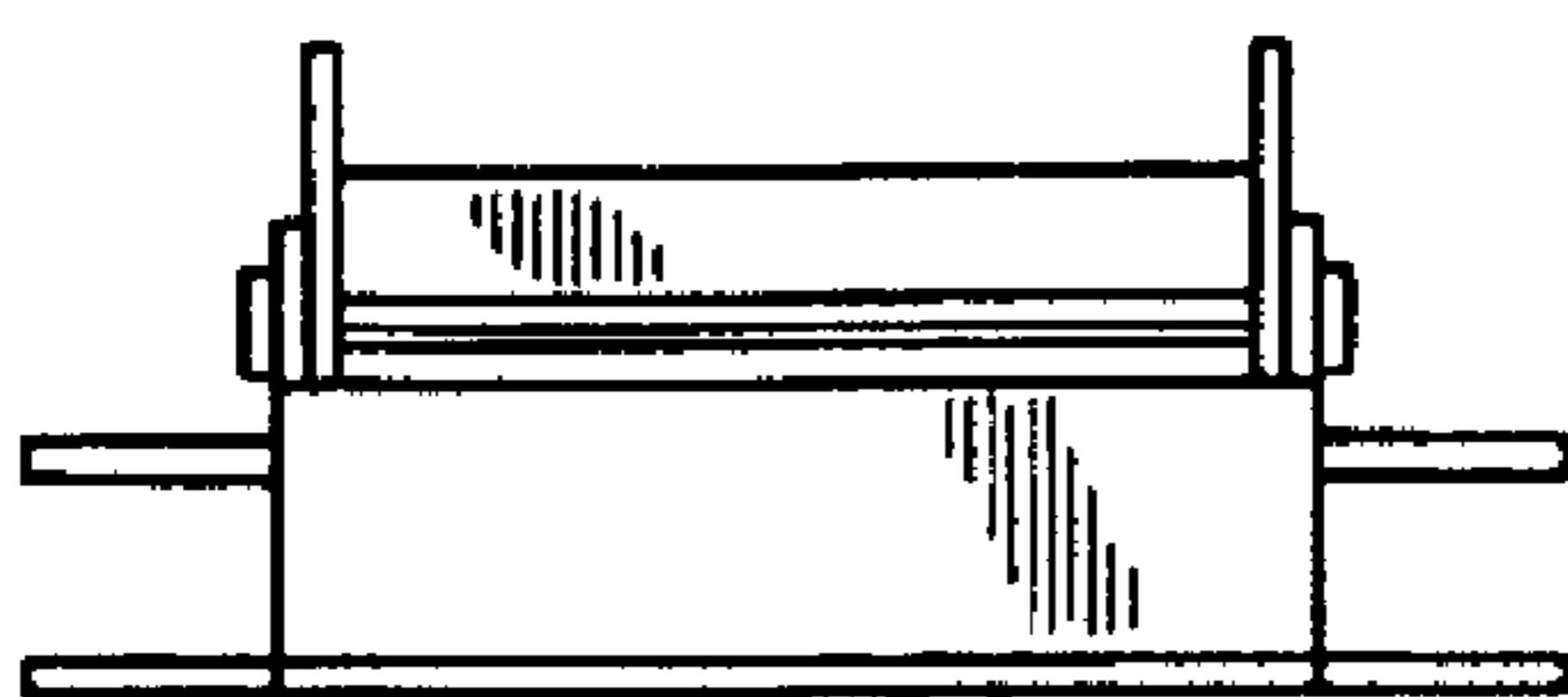


FIG. 5

Fig. 6

