

US00D507953S

(12) **United States Design Patent** (10) **Patent No.:** **US D507,953 S**
Watson et al. (45) **Date of Patent:** **** Aug. 2, 2005**

(54) **POWER SHEARS**
 (75) Inventors: **James B. Watson**, Fallston, MD (US);
Christine H. Potter, Baltimore, MD
 (US)
 (73) Assignee: **Black & Decker Inc.**, Newark, DE
 (US)
 (**) Term: **14 Years**

D428,786 S 8/2000 Hayakawa et al.
 D434,627 S 12/2000 Buck
 D440,849 S 4/2001 Sakai et al.
 D440,851 S 4/2001 Sakai et al.
 D447,924 S 9/2001 Neitzell et al.
 D456,233 S 4/2002 Main
 D468,982 S 1/2003 Brazell et al.
 D471,417 S 3/2003 Chunn et al.
 D471,782 S 3/2003 Keith-Lucas
 D474,088 S 5/2003 Chunn et al.
 D480,616 S 10/2003 Welsh
 2001/0042631 A1 * 11/2001 Carrier 173/217

(21) Appl. No.: **29/217,387**

(22) Filed: **Nov. 16, 2004**

(51) **LOC (8) Cl.** **08-03**
 (52) **U.S. Cl.** **D8/69**
 (58) **Field of Search** D8/14.1, 61, 62,
 D8/63, 64, 65, 66, 67, 68, 69, 70; 81/57.11,
 429, 464, 465, 466, 469, 489; 173/13, 169,
 178, 213, 217; 227/8, 114, 120, 130, 136,
 142; 310/50; 408/20, 124, 125, 234, 241 R;
 451/358

FOREIGN PATENT DOCUMENTS

DE M 96 05 110 12/1995
 DE M 96 05 111 12/1995
 DE MR 498 10 658 11/1998
 DE MR 498 12 762 12/1998
 WO DM 060359 11/2001

* cited by examiner

Primary Examiner—Gary D. Watson
Assistant Examiner—T. Chase Nelson
 (74) *Attorney, Agent, or Firm*—Michael P. Leary; Charles
 E. Yocum; Adan Ayala

(56) **References Cited**

U.S. PATENT DOCUMENTS

D197,987 S * 4/1964 Docken D8/68
 D202,255 S 9/1965 Romain et al.
 3,787,742 A * 1/1974 Murphy 310/50
 4,682,416 A * 7/1987 Stolfa D8/70
 D296,516 S 7/1988 Doyel
 D301,300 S * 5/1989 Sasaki et al. D8/69
 D322,921 S 1/1992 Bosten et al.
 D339,510 S 9/1993 Sakamoto
 D347,560 S 6/1994 Kwong
 D355,575 S 2/1995 Broucksou
 D388,300 S 12/1997 Jeltsch
 D401,128 S 11/1998 Zurwelle
 D408,699 S 4/1999 Zurwelle
 D413,241 S 8/1999 Lai
 D415,400 S 10/1999 Mizutani et al.
 D416,180 S 11/1999 Sakai et al.

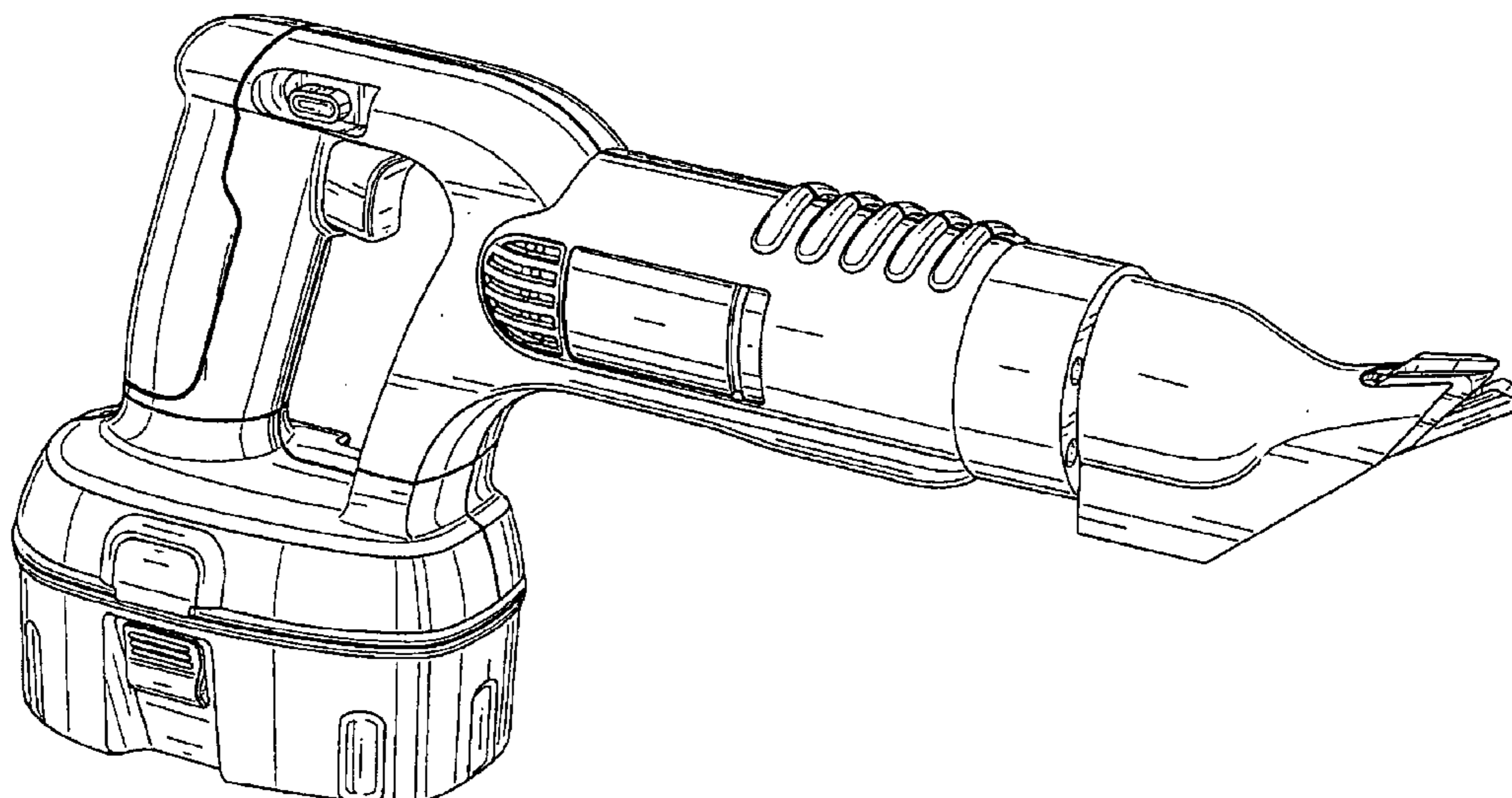
(57) **CLAIM**

The ornamental design for power shears, as shown and described.

DESCRIPTION

FIG. 1 is a perspective view of power shears showing our new design.
 FIG. 2 is a front view thereof.
 FIG. 3 is a rear view thereof.
 FIG. 4 is a right side view thereof.
 FIG. 5 is a left side view thereof.
 FIG. 6 is a top view thereof; and,
 FIG. 7 is a bottom view thereof.

1 Claim, 6 Drawing Sheets



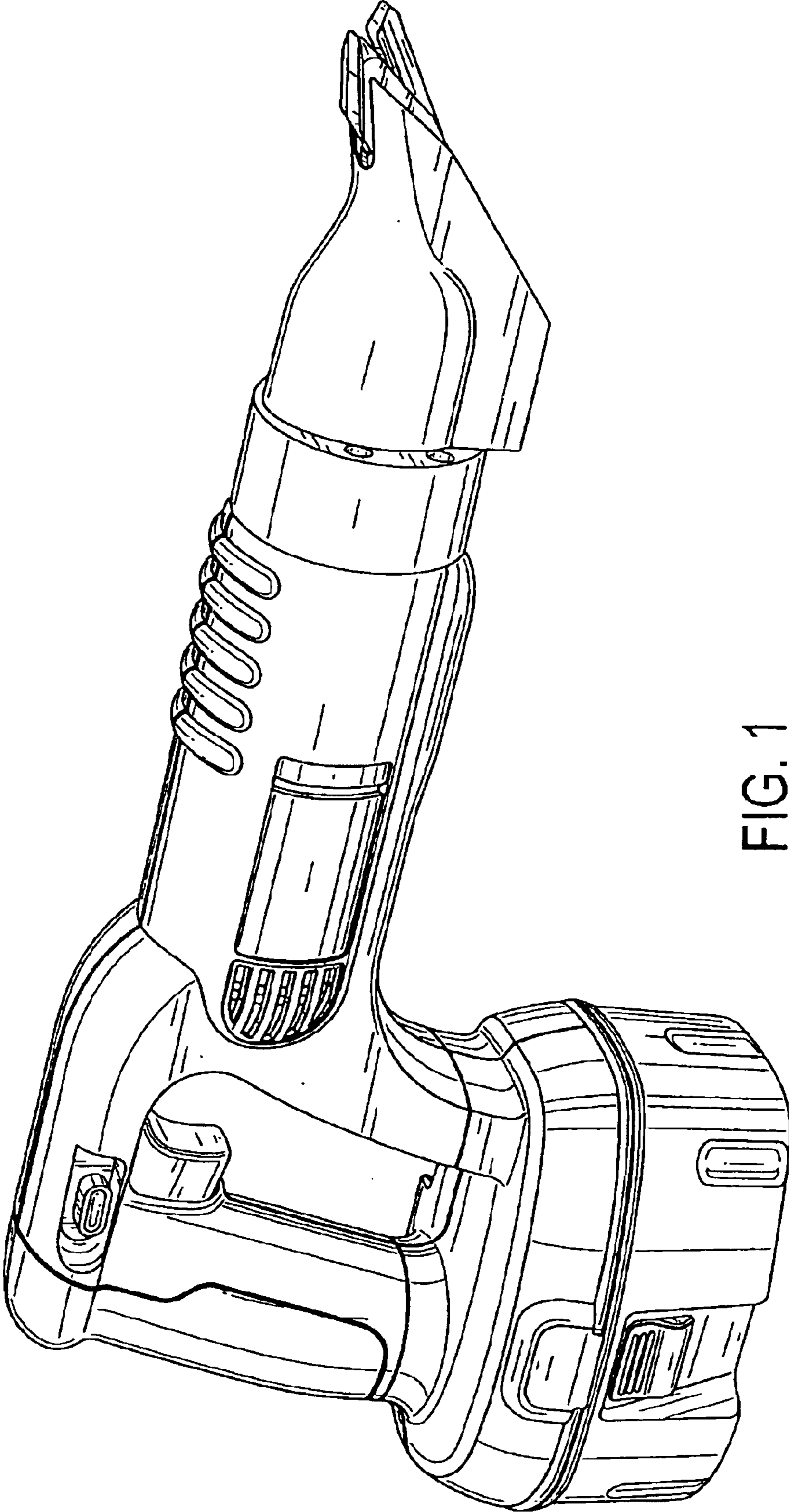


FIG. 1

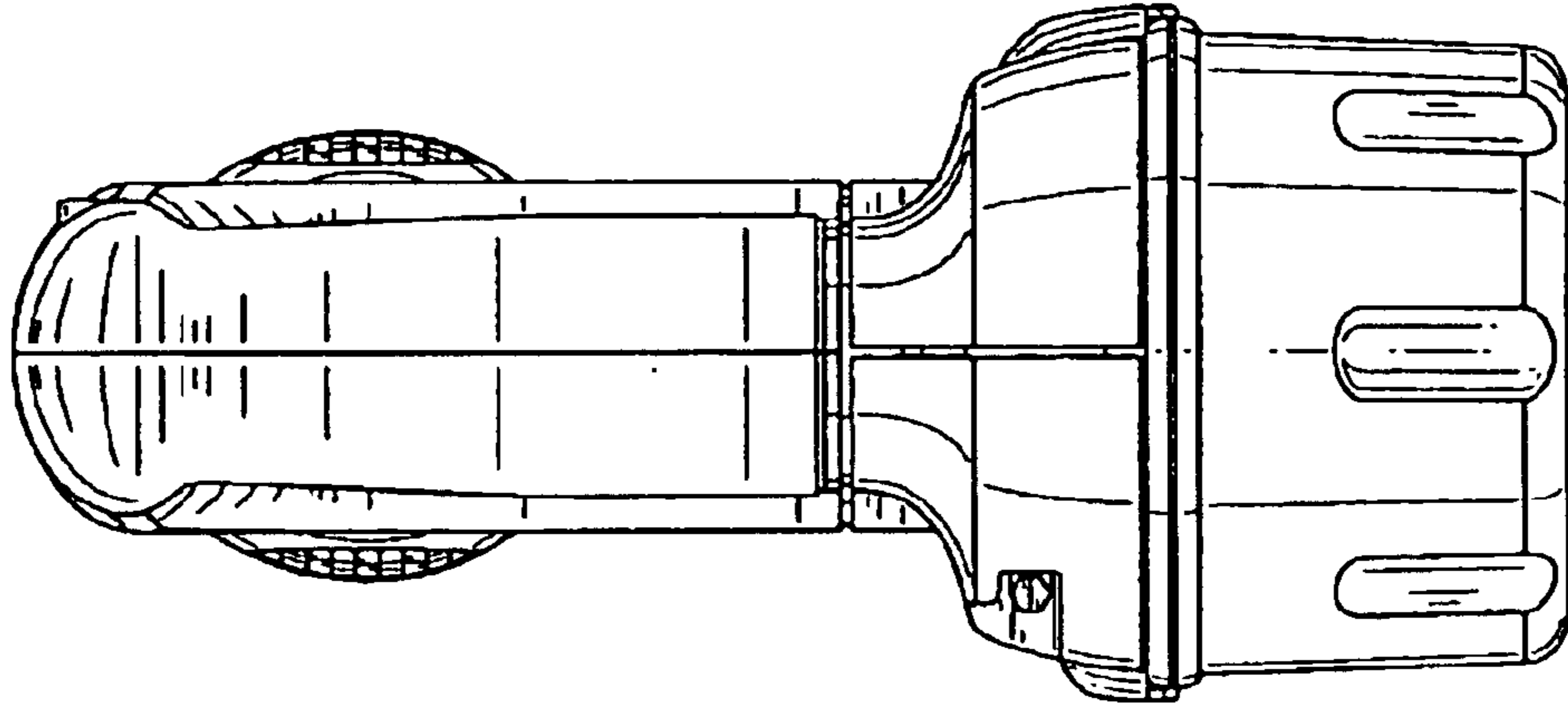


FIG. 3

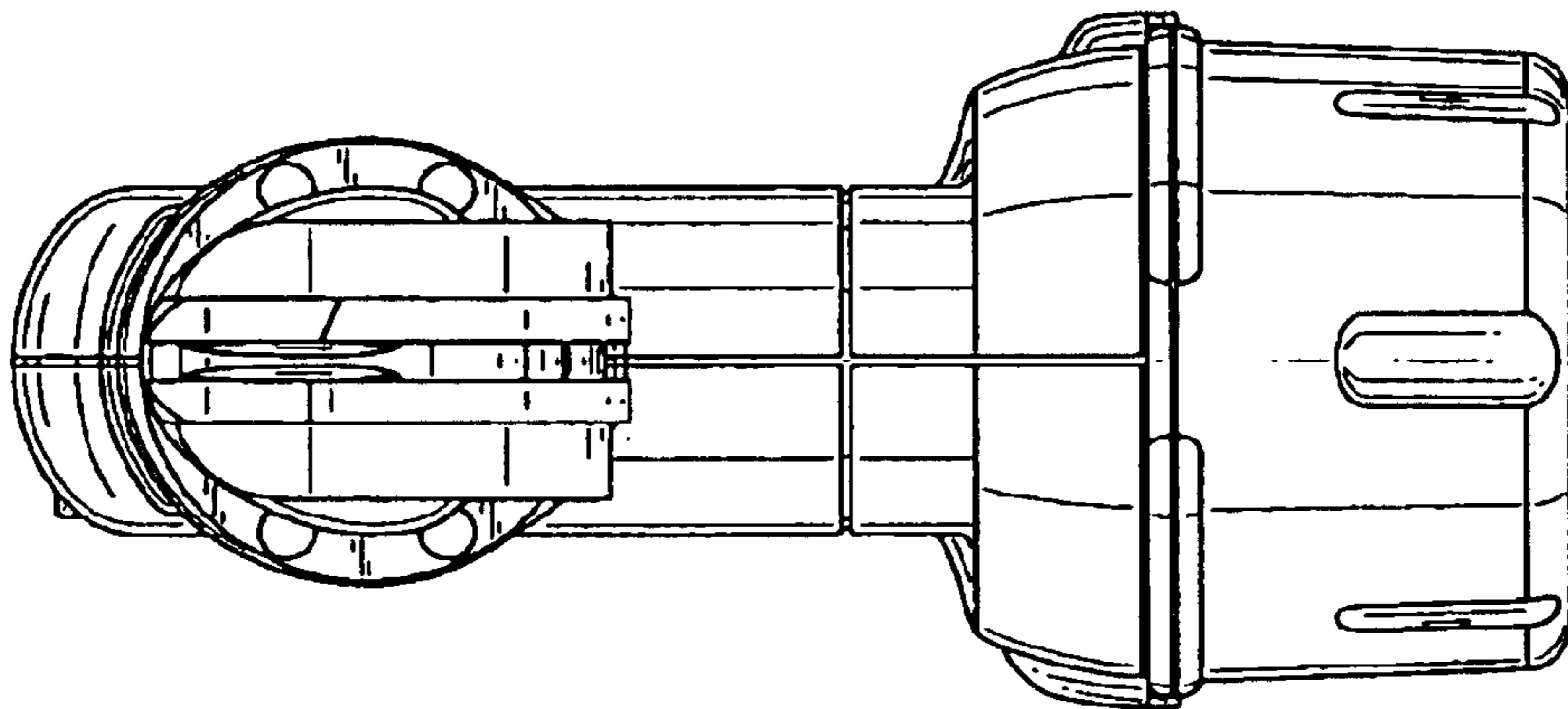


FIG. 2

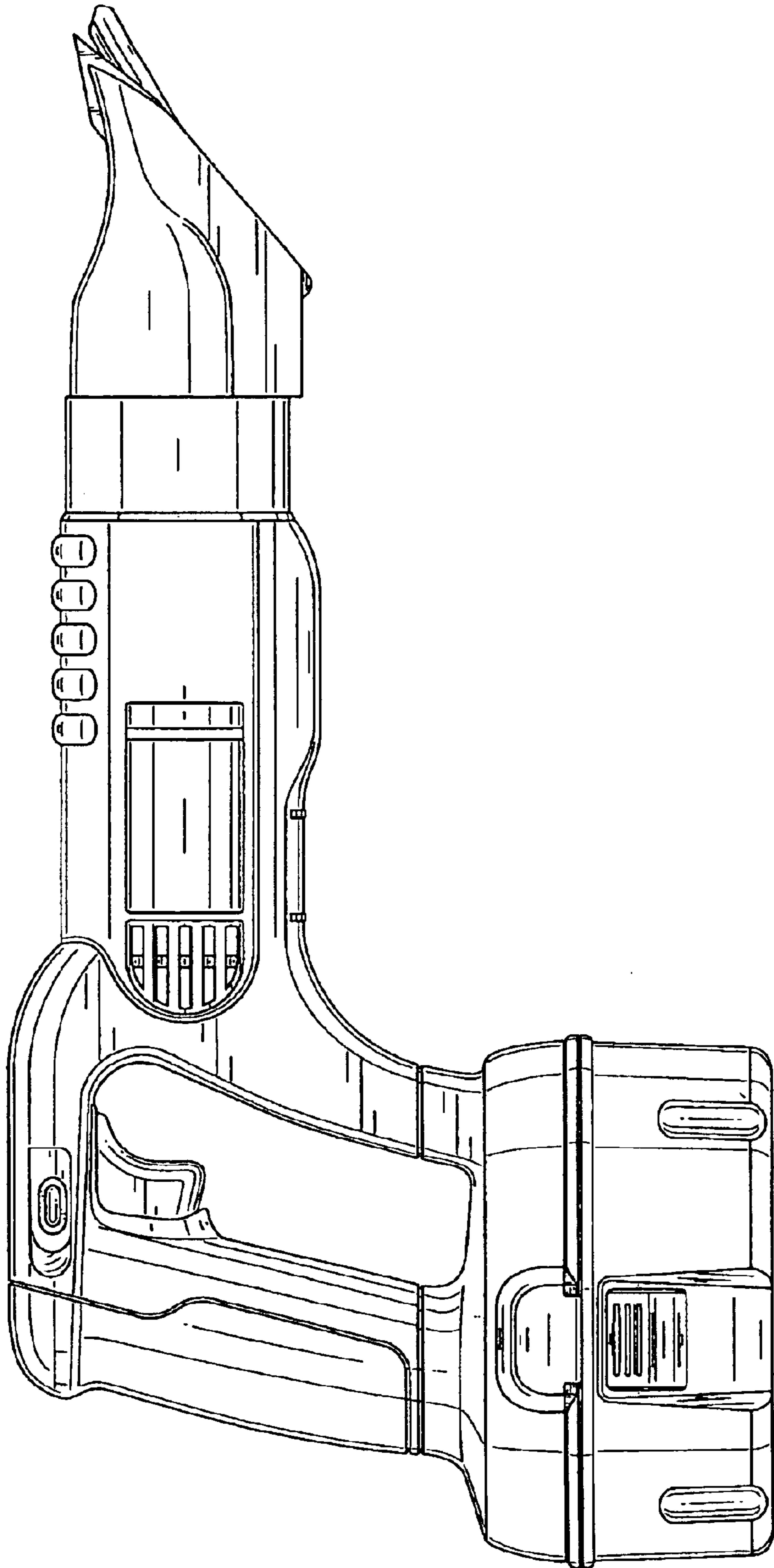


FIG. 4

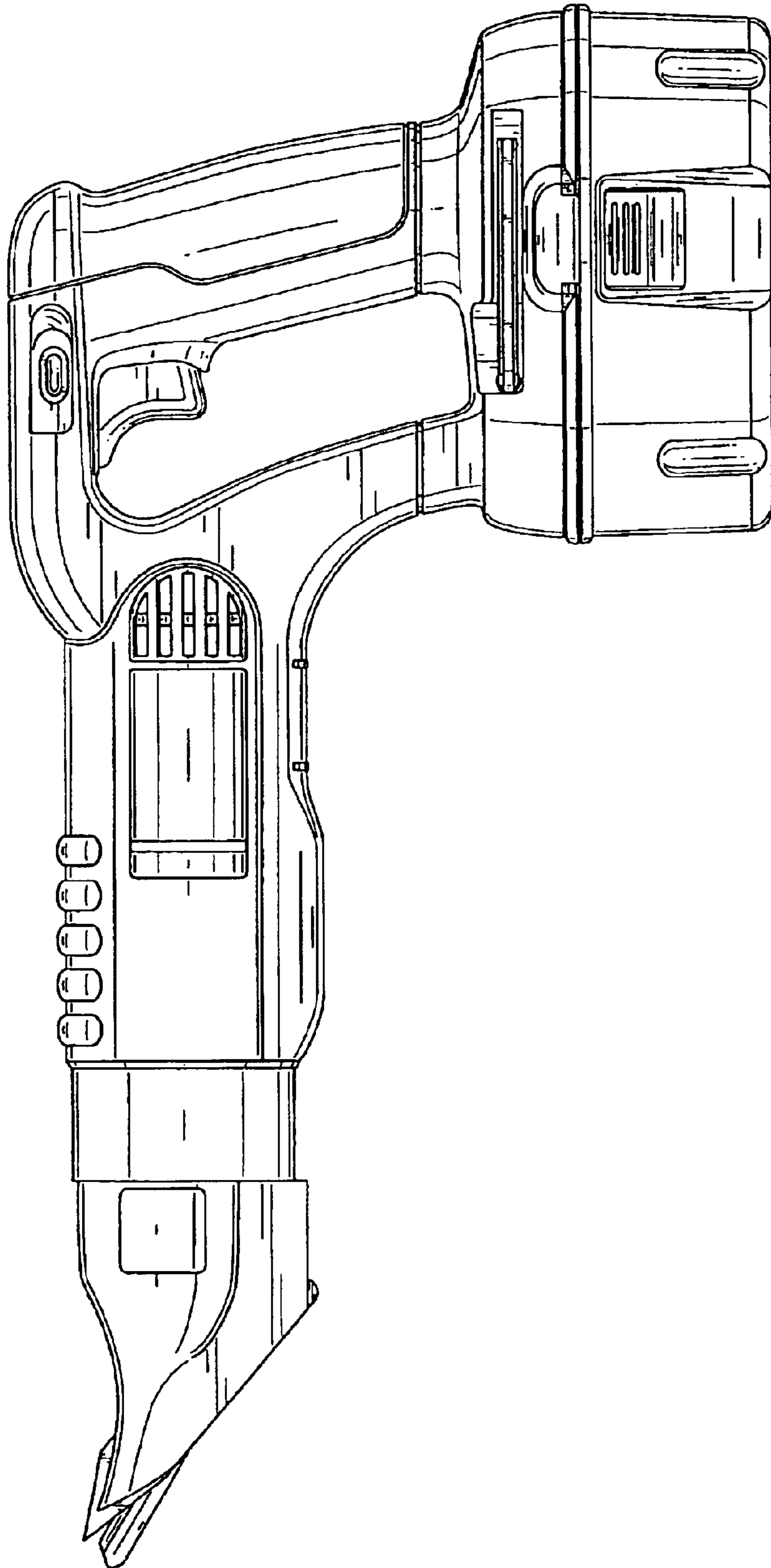


FIG. 5

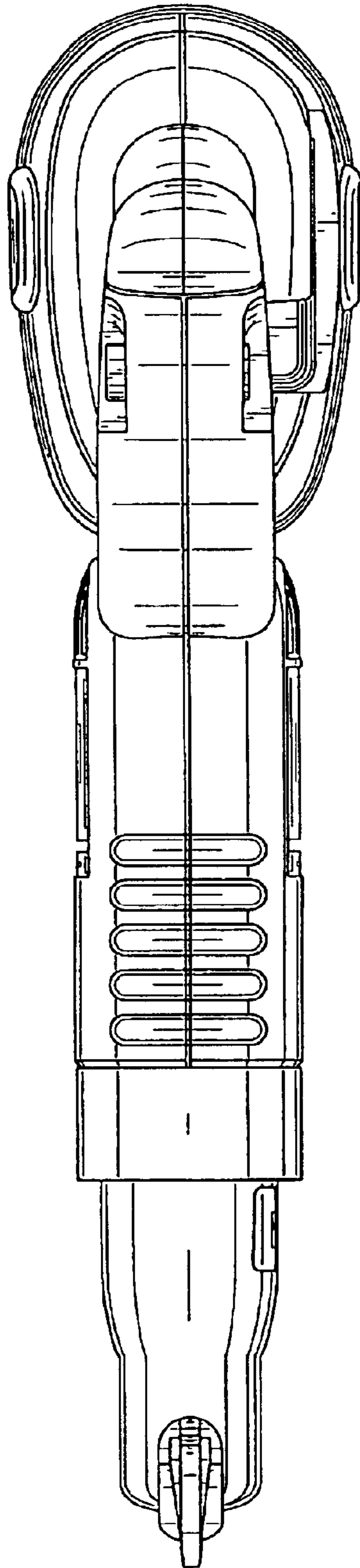


FIG. 6

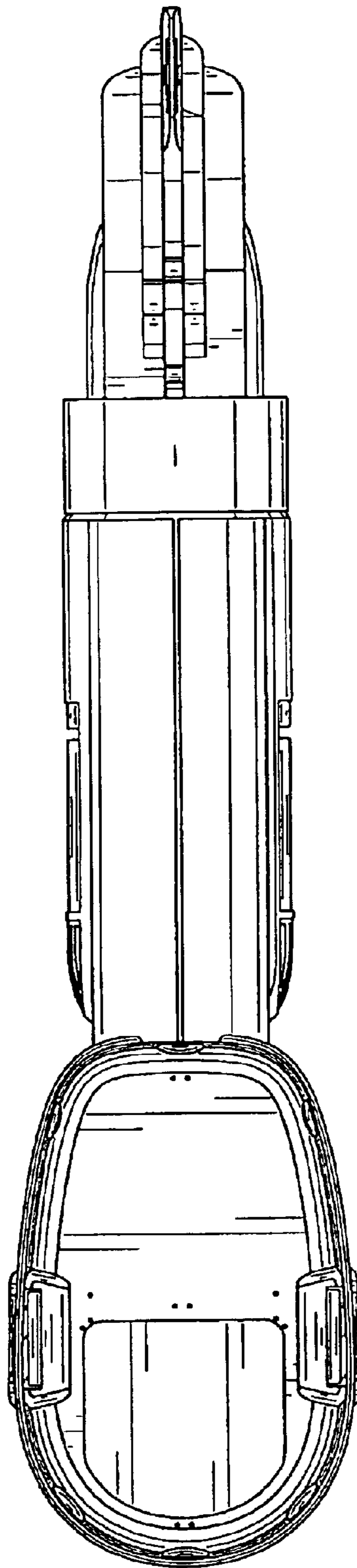


FIG. 7