

US00D507952S

(12) **United States Design Patent** (10) **Patent No.:** **US D507,952 S**
Wu (45) **Date of Patent:** **** Aug. 2, 2005**

(54) **DRILL**

(75) Inventor: **Shuming Wu**, Nanjing (CN)

(73) Assignee: **Nanjing Chervon Industry Co., Ltd.**,
Jiangsu (CN)

(**) Term: **14 Years**

(21) Appl. No.: **29/216,982**

(22) Filed: **Nov. 12, 2004**

(30) **Foreign Application Priority Data**

May 13, 2004 (CN) 2004300185594

(51) **LOC (8) Cl.** **08-01**

(52) **U.S. Cl.** **D8/68**

(58) **Field of Search** D8/14.1, 61, 62,
D8/63, 64, 65, 66, 67, 68, 69, 70; 81/57.11,
429, 464, 465, 466, 469, 489; 173/13, 169,
178, 213, 217; 227/8, 114, 120, 130, 136,
142; 310/50; 408/20, 124, 125, 234, 241 R;
451/358

(56) **References Cited**

U.S. PATENT DOCUMENTS

3,959,677 A * 5/1976 Grieb 310/50
D280,883 S * 10/1985 Sakamoto et al. D8/61
5,056,607 A * 10/1991 Sanders 173/217
D353,526 S * 12/1994 Hoshino D8/68
D400,416 S * 11/1998 Zurwelle D8/68
D403,565 S * 1/1999 Chung D8/68

D406,742 S * 3/1999 Schoen et al. D8/68
D439,123 S * 3/2001 Sakai et al. D8/68
D441,268 S * 5/2001 Heun D8/68
6,240,816 B1 * 6/2001 Riedl et al. 81/429
D466,386 S * 12/2002 Zurwelle D8/68
D470,379 S * 2/2003 Andriolo D8/68
D482,254 S * 11/2003 Tsuzuki et al. D8/68
D486,049 S * 2/2004 Sugiura et al. D8/68
D490,677 S * 6/2004 Chung et al. D8/68
D498,400 S * 11/2004 Wu D8/68
2003/0146008 A1 * 8/2003 Andriolo 173/217

* cited by examiner

Primary Examiner—Gary D. Watson

Assistant Examiner—T. Chase Nelson

(74) *Attorney, Agent, or Firm*—Lowe Hauptman & Berner,
LLP

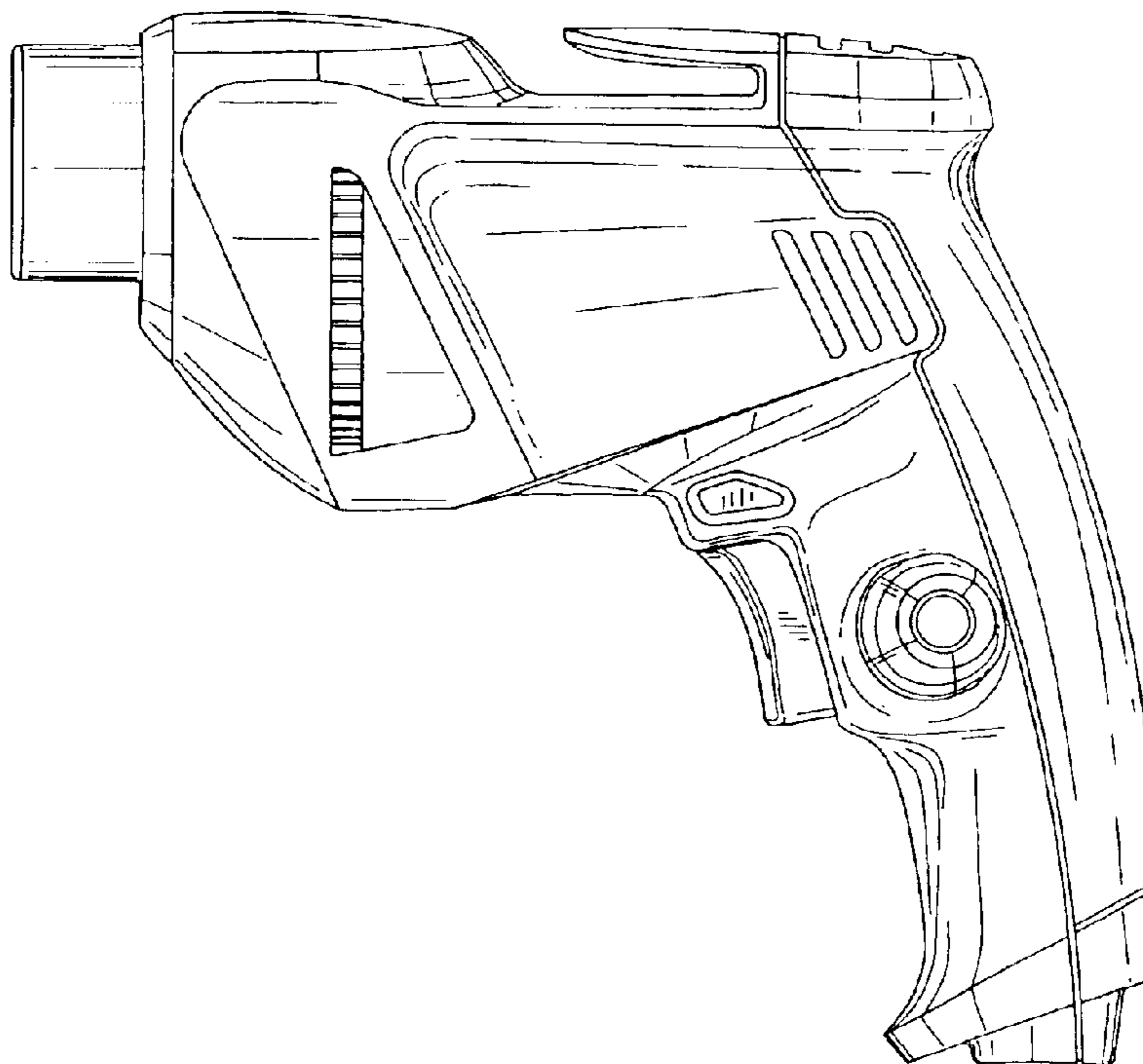
(57) **CLAIM**

The ornamental design for a drill, as shown and described.

DESCRIPTION

FIG. 1 is a front elevational view of the design;
FIG. 2 is a rear elevational view of the drill in FIG. 1;
FIG. 3 is a top plan view of the drill in FIG. 1;
FIG. 4 is a bottom plan view of the drill in FIG. 1;
FIG. 5 is a left side elevational view of the drill in FIG. 1;
FIG. 6 is a right side elevational view of the drill in FIG. 1;
and,
FIG. 7 is a perspective view of the drill of FIG. 1.

1 Claim, 5 Drawing Sheets



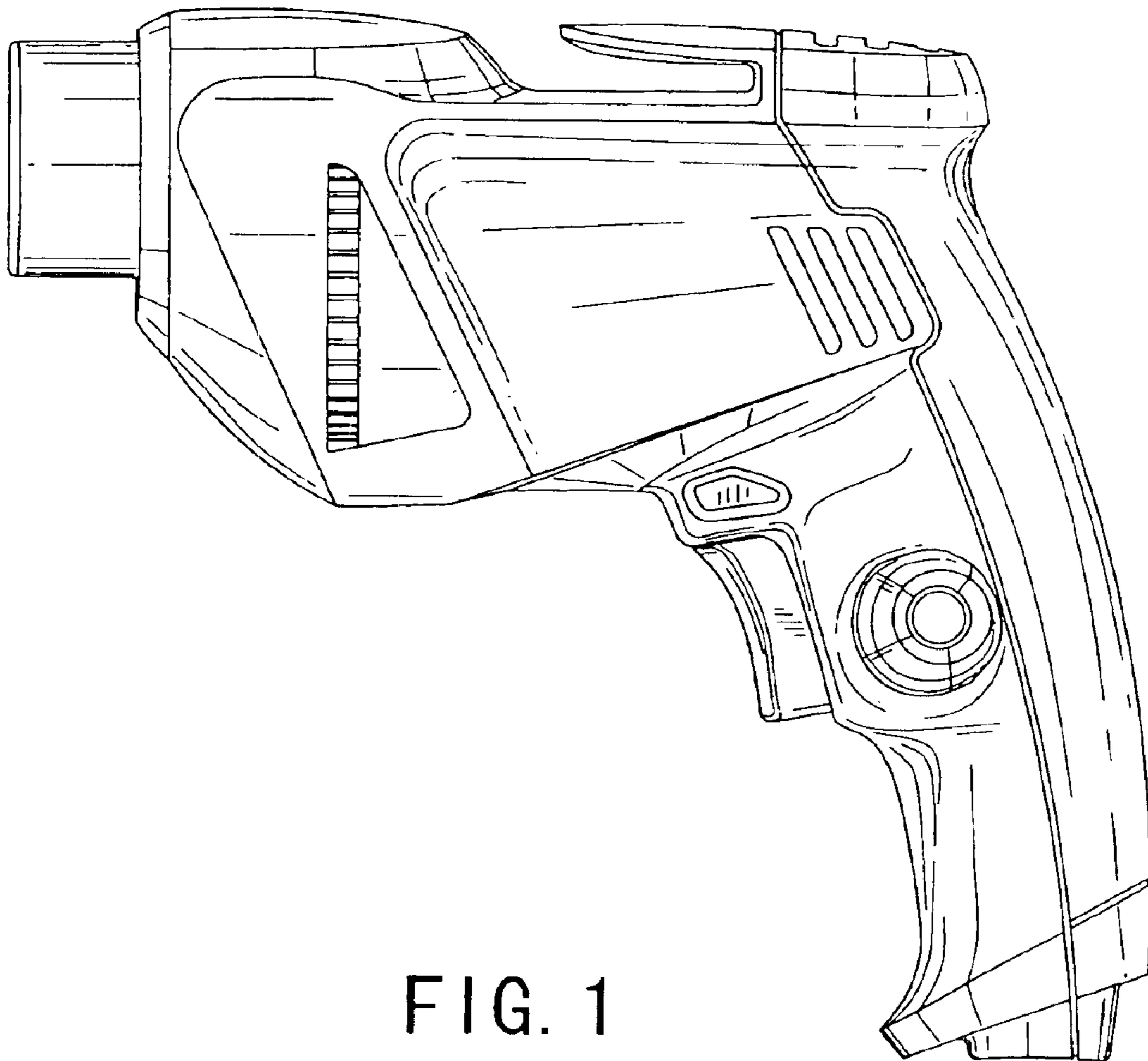


FIG. 1

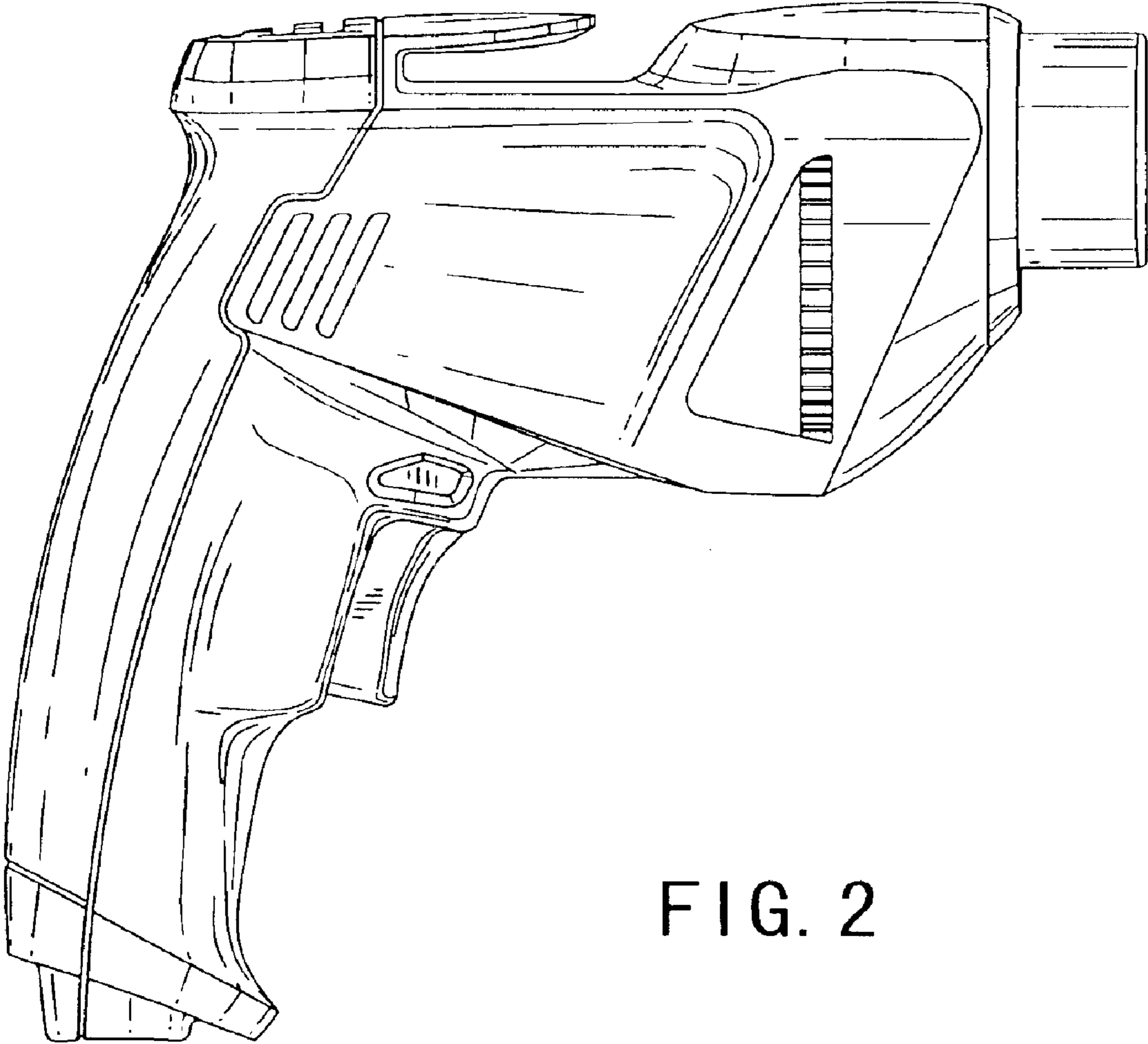


FIG. 2

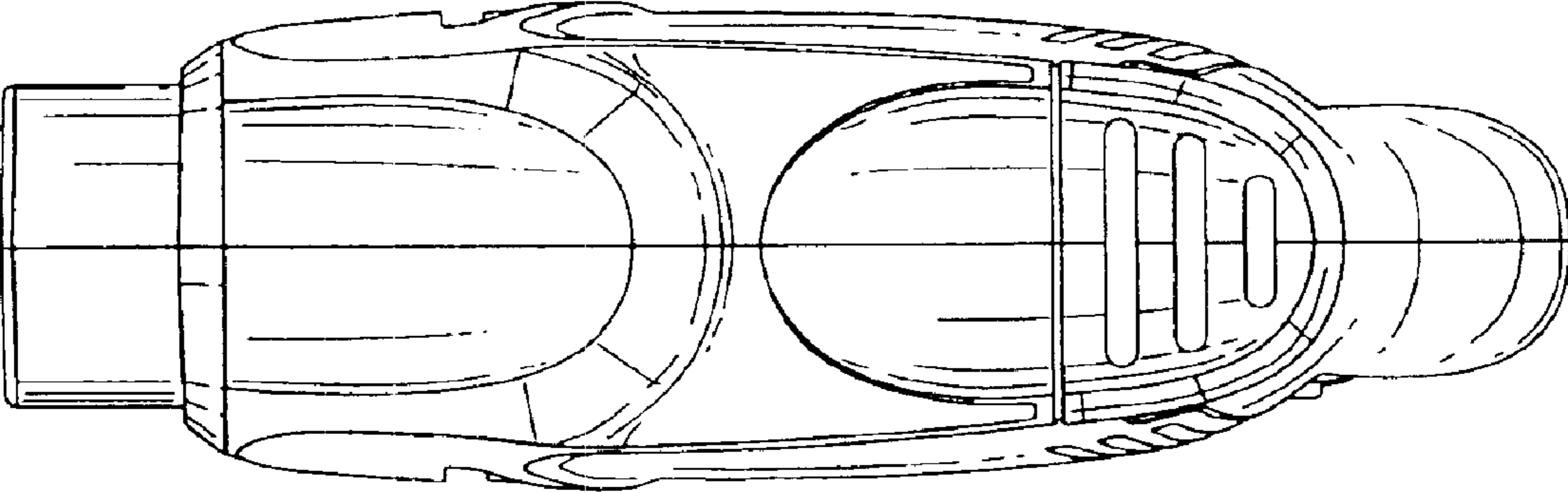


FIG. 3

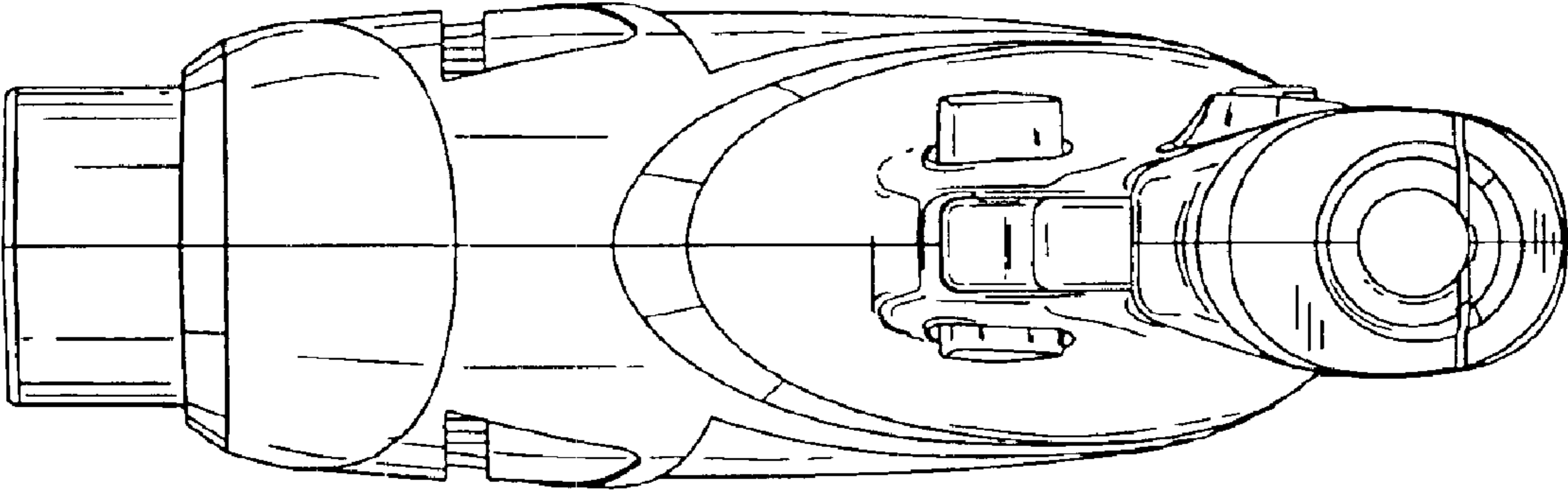


FIG. 4

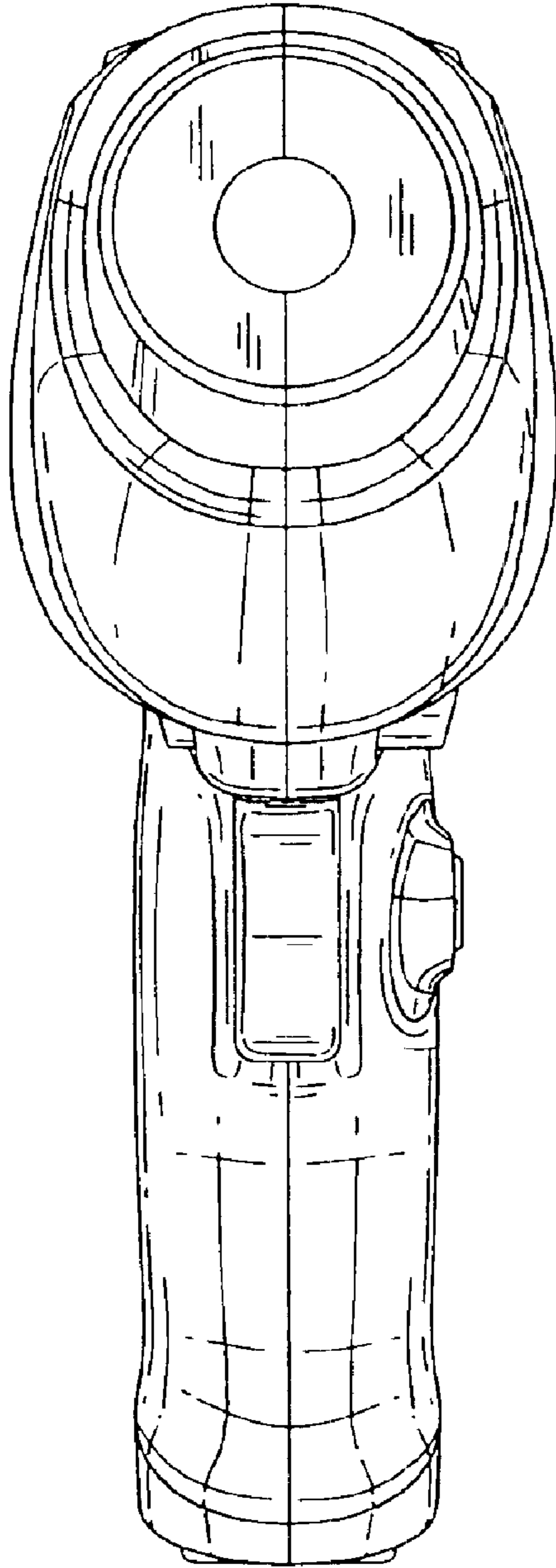


FIG. 5

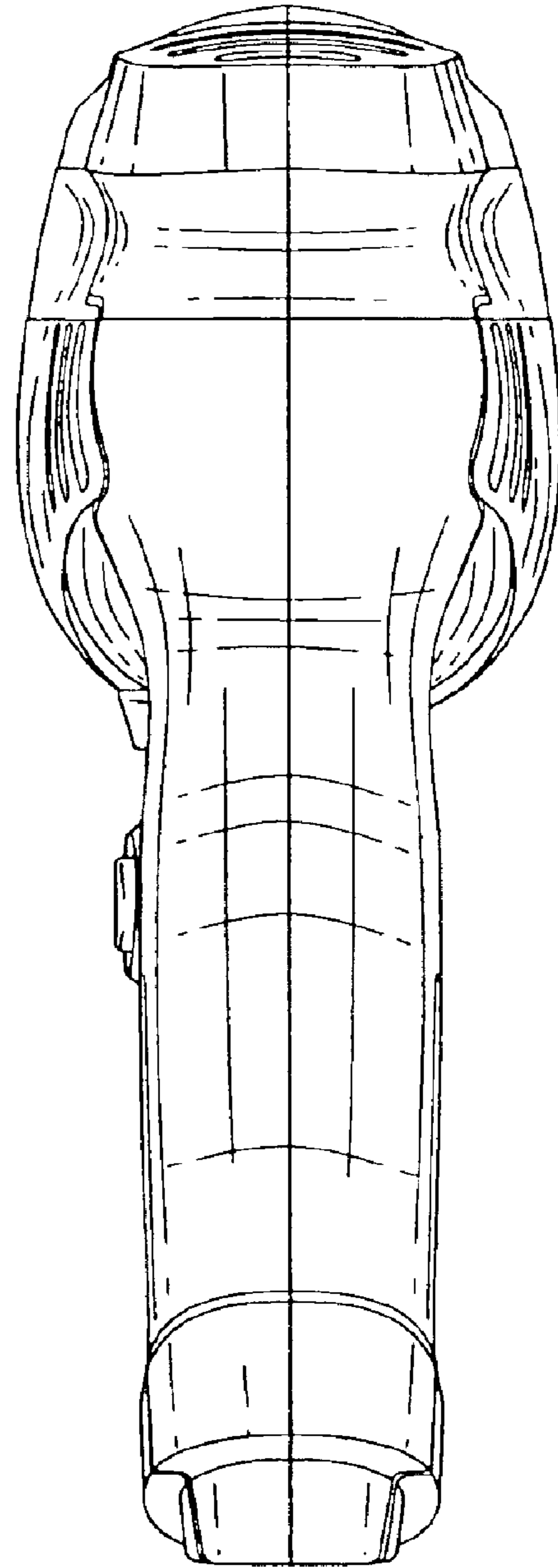


FIG. 6

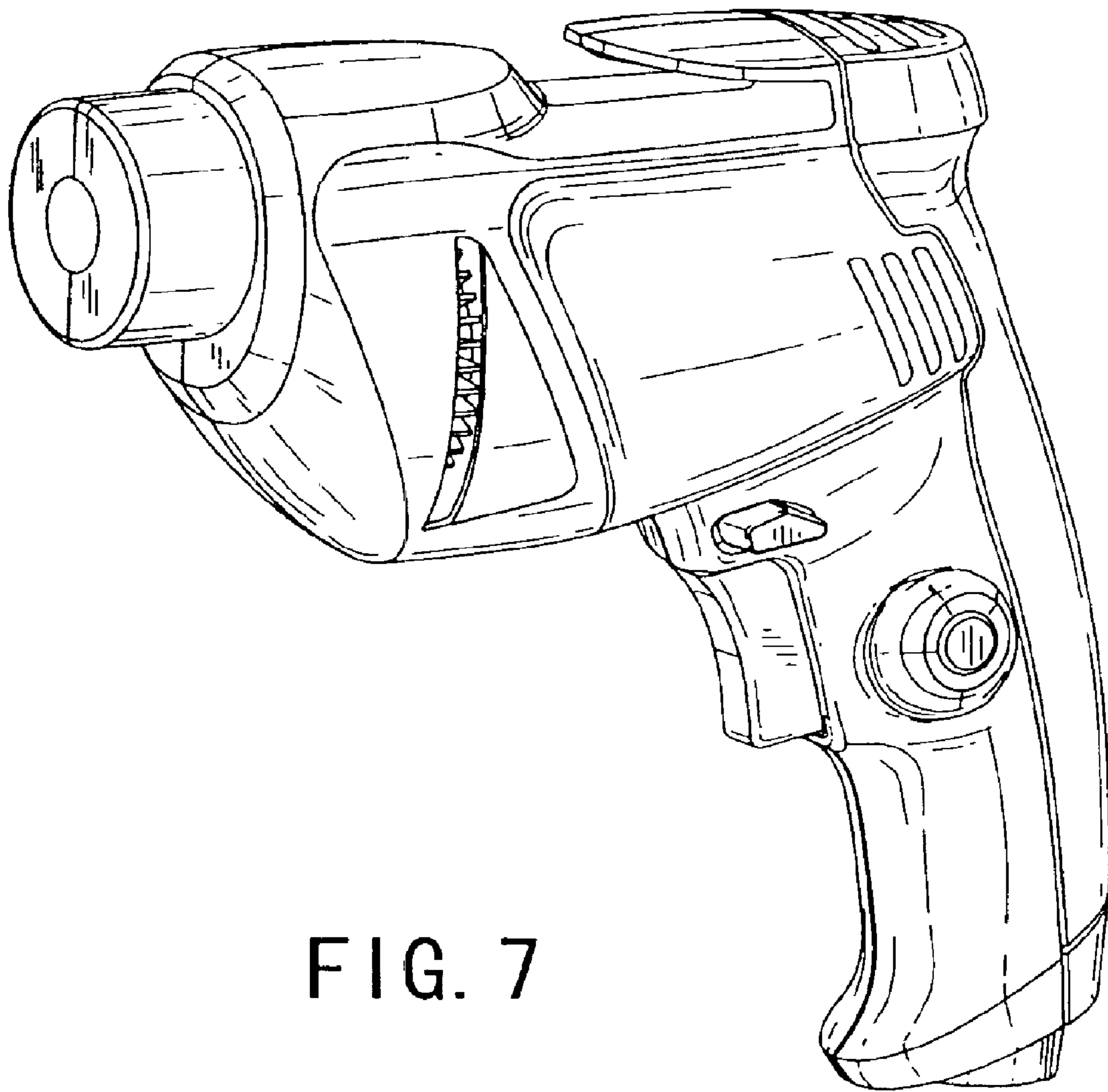


FIG. 7