

US00D507951S

(12) **United States Design Patent** (10) **Patent No.:** **US D507,951 S**
McMenemy et al. (45) **Date of Patent:** **** Aug. 2, 2005**

(54) **IMPACT WRENCH**

(75) Inventors: **Mark J. McMenemy**, Northborough, MA (US); **Rodger A. Isetts**, Kenosha, WI (US); **Joshua M. Beer**, Racine, WI (US)

(73) Assignee: **Snap-on Incorporated**, Pleasant Prairie, WI (US)

(**) Term: **14 Years**

(21) Appl. No.: **29/215,347**

(22) Filed: **Oct. 18, 2004**

(51) **LOC (8) Cl.** **08-05**

(52) **U.S. Cl.** **D8/68**

(58) **Field of Search** D8/14.1, 61, 62, D8/63, 64, 65, 66, 67, 68, 69, 70; 81/57.11, 429, 464, 465, 466, 469, 489; 173/13, 169, 178, 213, 217; 227/8, 114, 120, 130, 136, 142; 310/50; 408/20, 124, 125, 234, 241 R; 451/358

D410,830 S * 6/1999 Pusateri et al. D8/61
6,062,323 A * 5/2000 Pusateri et al. 173/169
6,082,468 A * 7/2000 Pusateri et al. 173/169
D434,298 S * 11/2000 Izumisawa D8/68
D437,760 S * 2/2001 Izumisawa D8/68
D441,628 S * 5/2001 Bass et al. D8/68
6,338,389 B1 * 1/2002 Chang 173/169
D458,824 S * 6/2002 Chen D8/68
D465,982 S * 11/2002 Taga D8/68
D469,673 S * 2/2003 Sliker et al. D8/68
D472,782 S * 4/2003 Pusateri et al. D8/68
D484,384 S 12/2003 Ghode et al.
D487,219 S 3/2004 Chudy et al.
D493,085 S * 7/2004 Copeland et al. D8/68
2002/0152848 A1 * 10/2002 Johnson 81/465

* cited by examiner

Primary Examiner—Gary D. Watson
Assistant Examiner—T. Chase Nelson
(74) *Attorney, Agent, or Firm*—Barnes & Thornburg

(57) **CLAIM**

The ornamental design for an impact wrench, as shown and described.

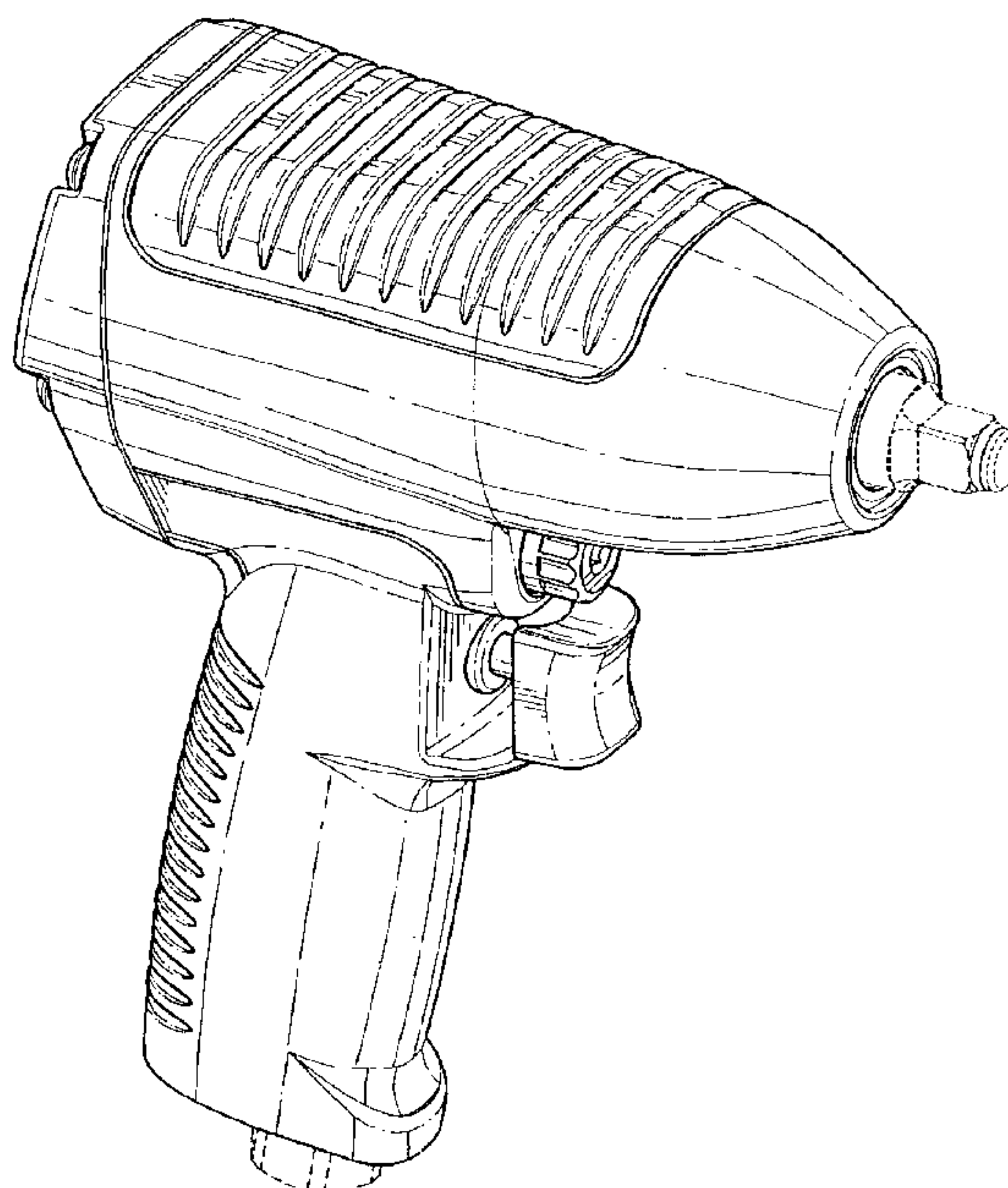
DESCRIPTION

FIG. 1 is a front perspective view of the impact wrench;
FIG. 2 is a rear perspective view thereof;
FIG. 3 is a left side view thereof, the right side view is not shown as it is a mirror image of the left side view; and
FIG. 4 is a top plan view thereof;
FIG. 5 is a bottom plan view thereof;
FIG. 6 is a rear elevational view thereof; and,
FIG. 7 is a front elevational view thereof.
The broken lines are shown in the views for illustrative purposes only and form no part of the claimed design.

1 Claim, 5 Drawing Sheets

(56) **References Cited**
U.S. PATENT DOCUMENTS

3,354,732 A * 11/1967 Wickham 173/169
D223,134 S * 3/1972 Bunyea D8/68
D256,980 S 9/1980 Adams et al.
D288,769 S * 3/1987 Doman D8/68
D294,001 S * 2/1988 Greenlee et al. D8/68
D299,411 S 1/1989 Porcaro
D324,801 S 3/1992 Caskey et al.
D324,802 S * 3/1992 Caskey et al. D8/68
D335,073 S 4/1993 Anthony et al.
D382,457 S 8/1997 Ghode et al.
D404,276 S 1/1999 Ghode et al.



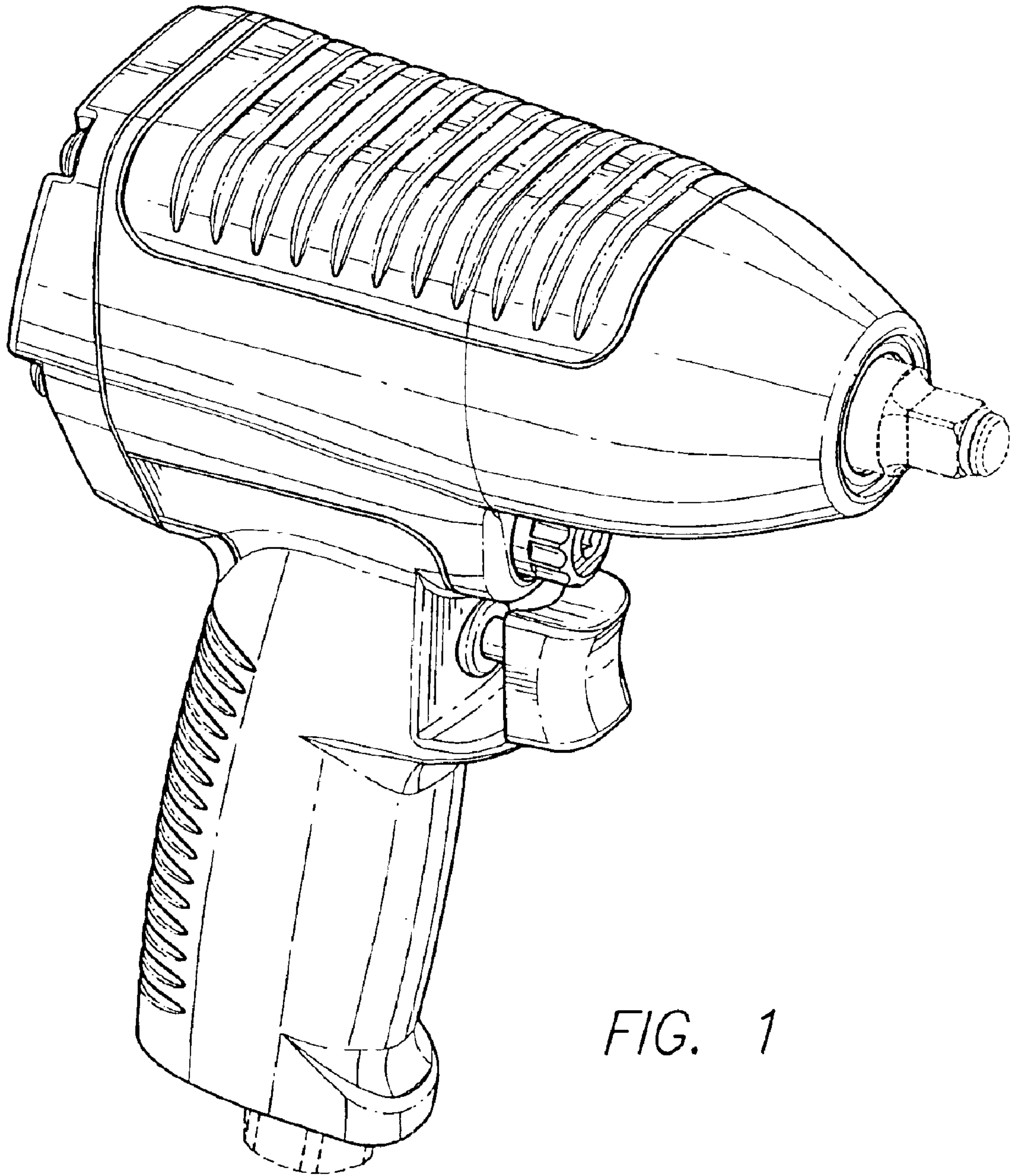


FIG. 1

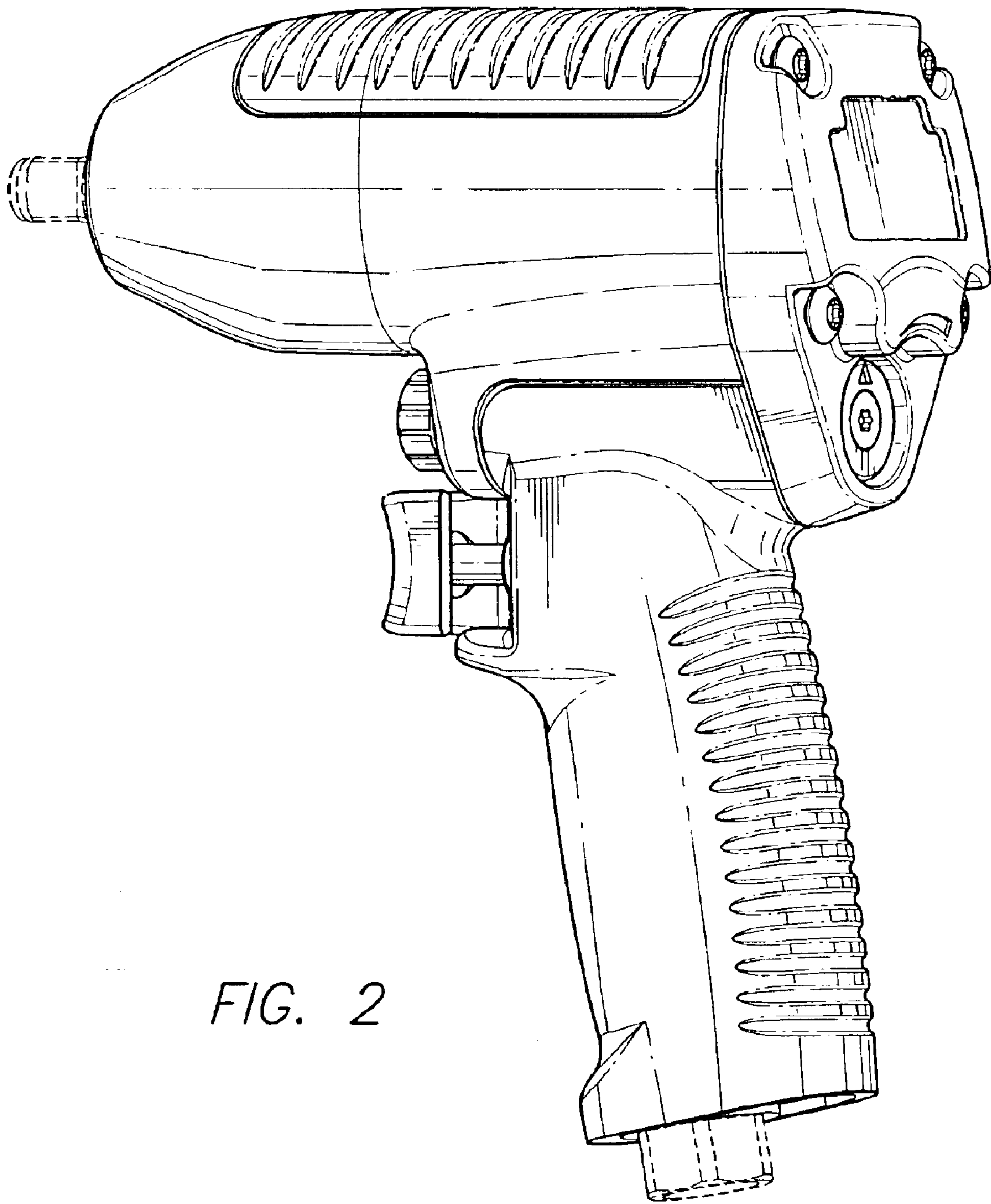


FIG. 2

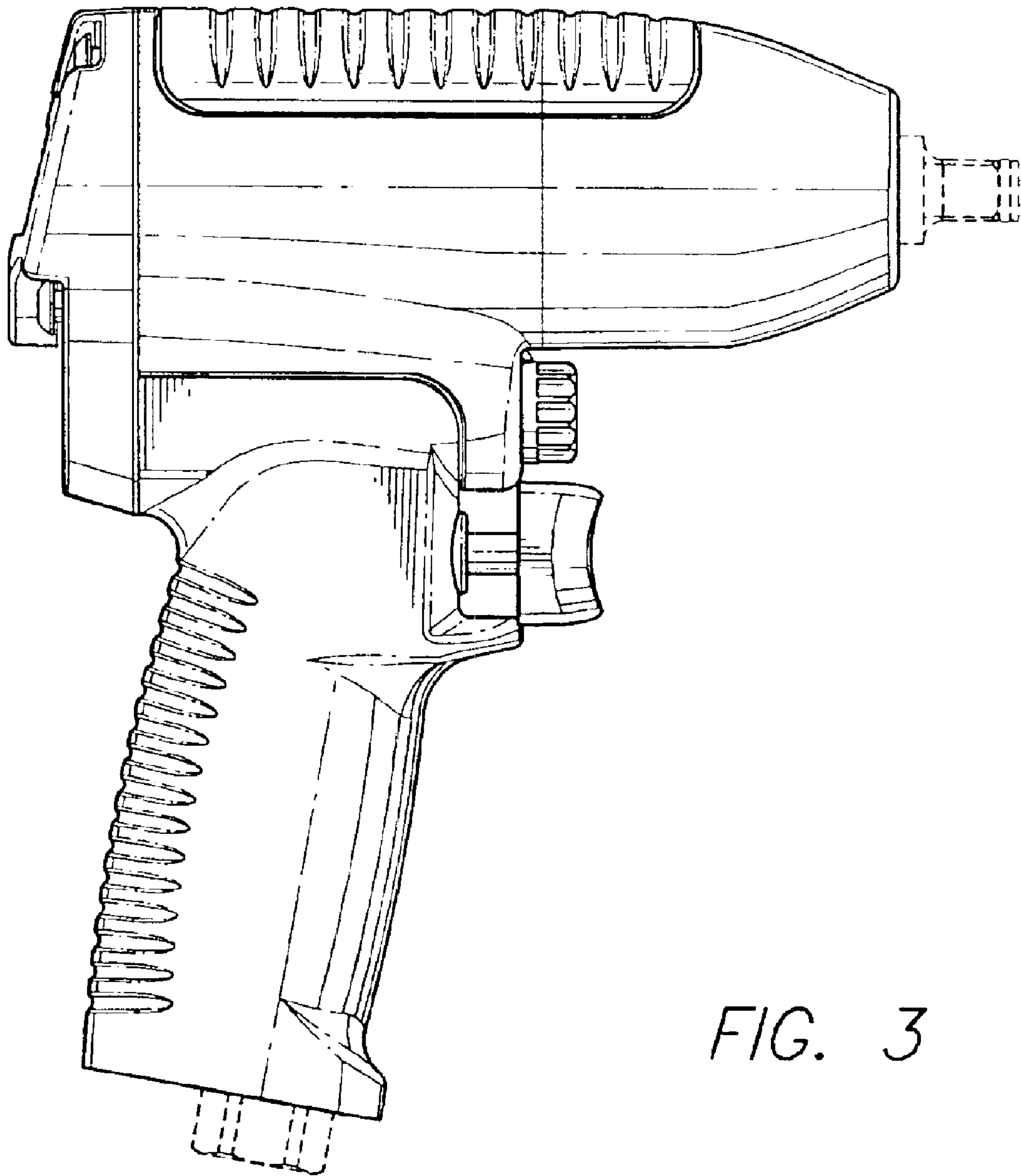


FIG. 3

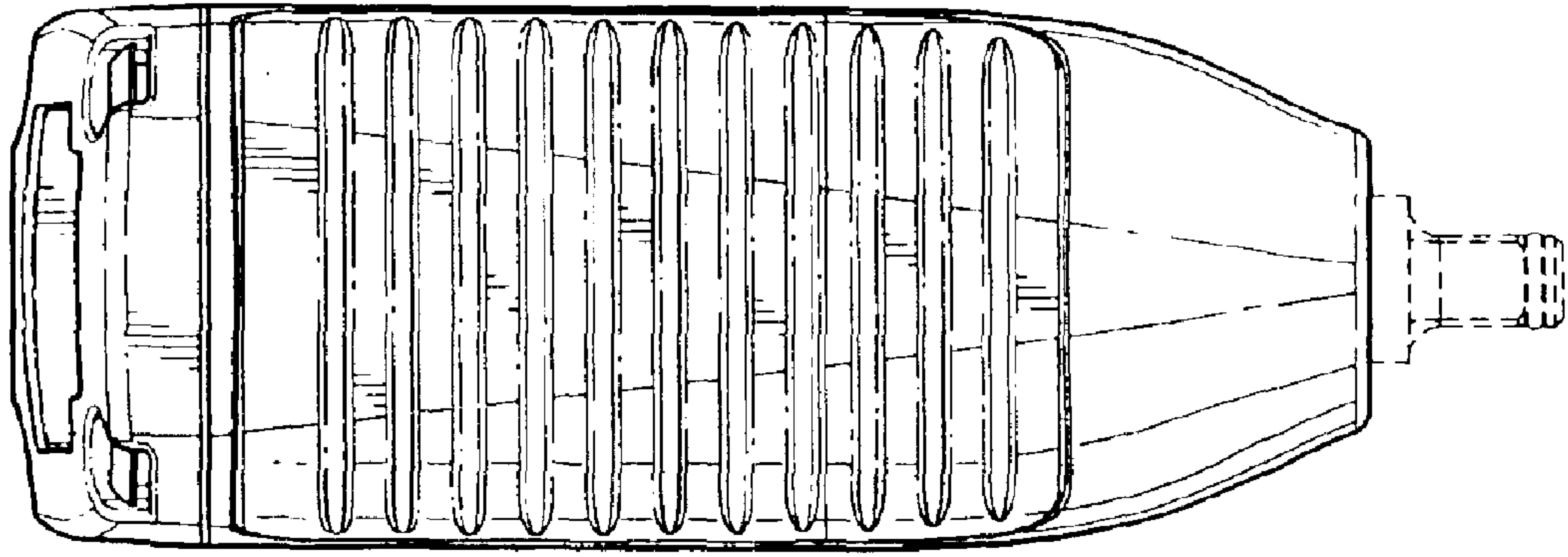


FIG. 4

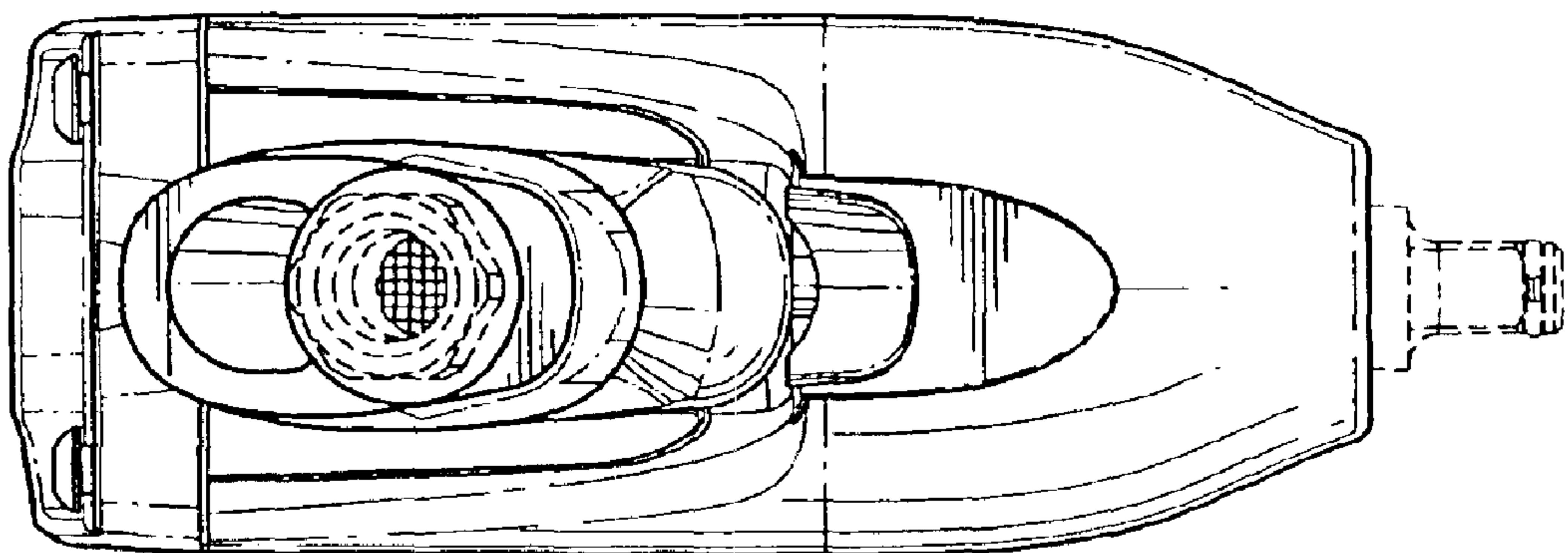


FIG. 5

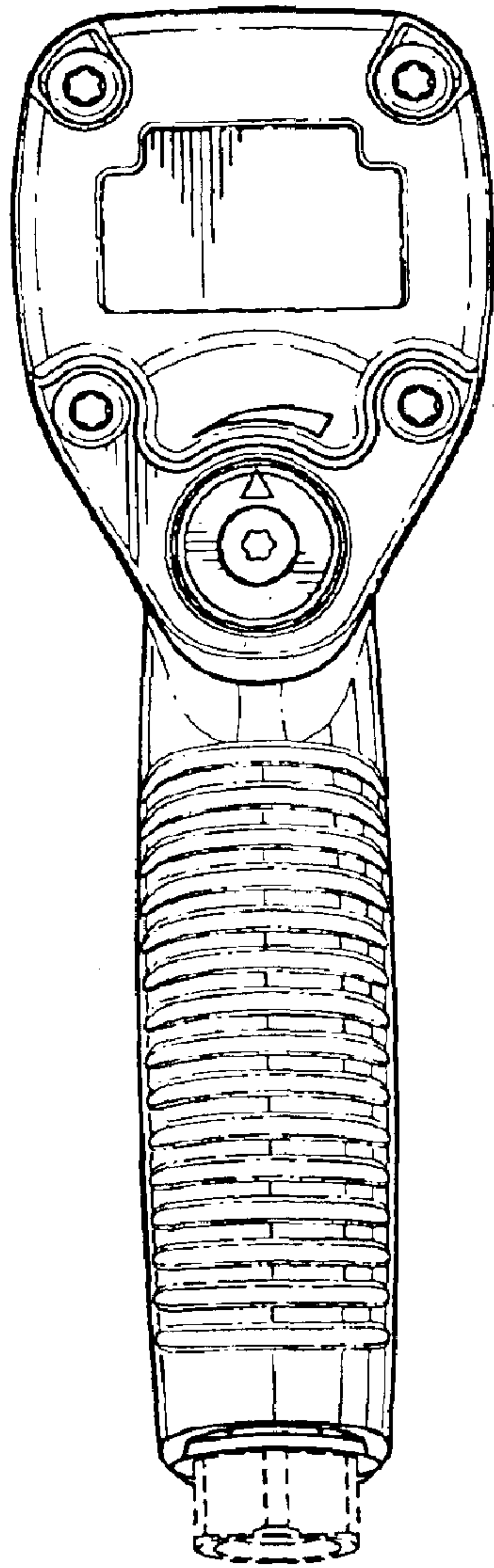


FIG. 6

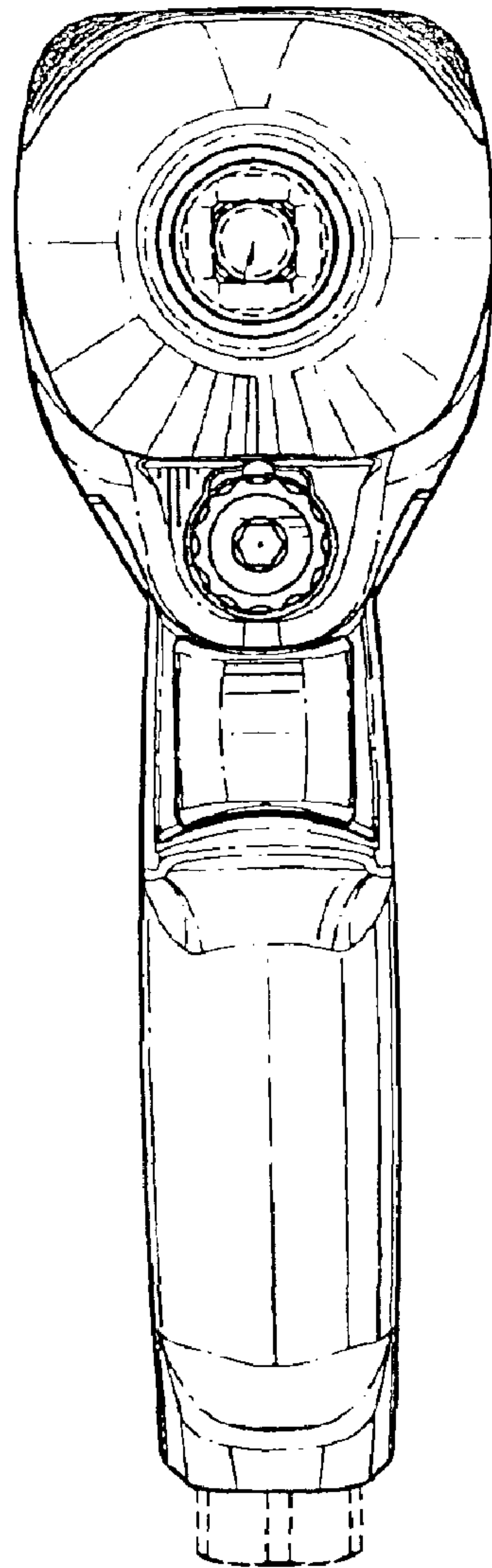


FIG. 7