

US00D507950S

(12) **United States Design Patent** (10) **Patent No.:** **US D507,950 S**
Aglassinger (45) **Date of Patent:** **** Aug. 2, 2005**

(54) **HAMMER DRILL**

(75) **Inventor:** **Hans-Peter Aglassinger**, Esslingen (DE)

(73) **Assignee:** **Robert Bosch GmbH**, Stuttgart (DE)

(**) **Term:** **14 Years**

(21) **Appl. No.:** **29/207,242**

(22) **Filed:** **Jun. 10, 2004**

(30) **Foreign Application Priority Data**
 Dec. 11, 2003 (DE) 4 03 07 849

(51) **LOC (8) Cl.** **08-01**

(52) **U.S. Cl.** **D8/68**

(58) **Field of Search** D8/14.1, 61, 62, D8/63, 64, 65, 66, 67, 68, 69, 70; 81/57.11, 429, 464, 465, 466, 469, 489; 173/13, 169, 178, 213, 217; 227/8, 114, 120, 130, 136, 142; 310/50; 408/20, 124, 125, 234, 241 R; 451/358

(56) **References Cited**

U.S. PATENT DOCUMENTS

4,418,766 A * 12/1983 Grossmann 173/13
 D280,797 S * 10/1985 Sakamoto et al. D8/68
 4,689,534 A * 8/1987 Gerber et al. 310/50
 4,820,090 A * 4/1989 Chen 408/241 R
 4,881,294 A * 11/1989 Riedl 408/241 R

D342,878 S * 1/1994 Watanabe et al. D8/68
 D343,105 S * 1/1994 Shibata et al. D8/68
 D406,511 S * 3/1999 Zurwelle D8/68
 D406,741 S * 3/1999 Zurwelle D8/68
 D460,336 S * 7/2002 Pretzell D8/69
 D466,779 S * 12/2002 Shibata et al. D8/68
 D470,379 S * 2/2003 Andriolo D8/68
 D488,978 S * 4/2004 Cheung D8/68
 6,722,449 B2 * 4/2004 Lebisch et al. 173/213
 D492,565 S * 7/2004 Stirm D8/68
 2002/0084087 A1 * 7/2002 Hecht et al. 173/178

* cited by examiner

Primary Examiner—Gary D. Watson
Assistant Examiner—T. Chase Nelson
 (74) *Attorney, Agent, or Firm*—Michael J. Striker

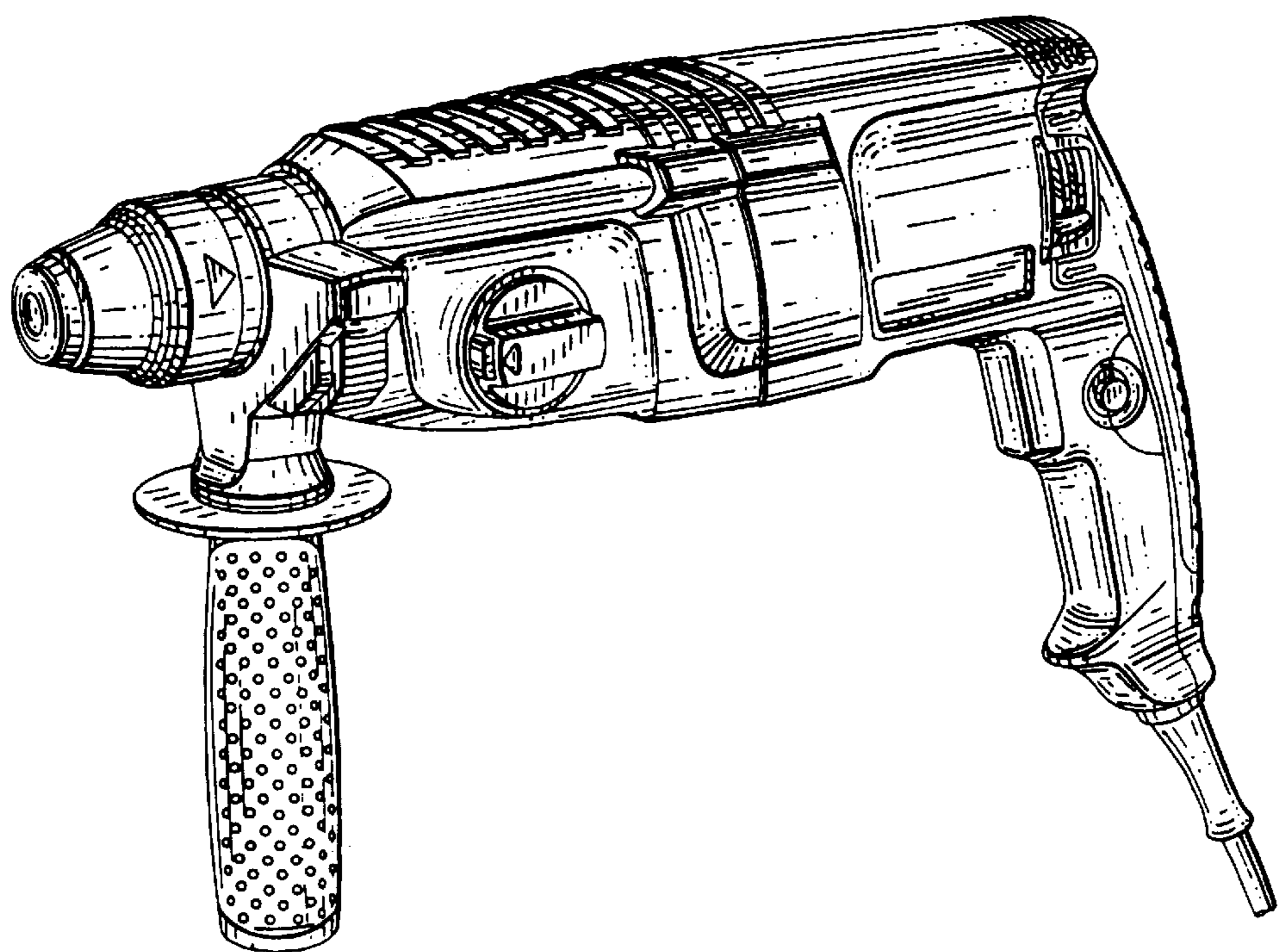
(57) **CLAIM**

The ornamental design for a hammer drill, as shown and described.

DESCRIPTION

FIG. 1 is a perspective view of a hammer drill showing my new design;
 FIG. 2 is a side view thereof;
 FIG. 3 is the opposite side view of FIG. 2;
 FIG. 4 is a top view thereof;
 FIG. 5 is a bottom view thereof;
 FIG. 6 is a front view thereof; and,
 FIG. 7 is a rear view thereof.

1 Claim, 7 Drawing Sheets



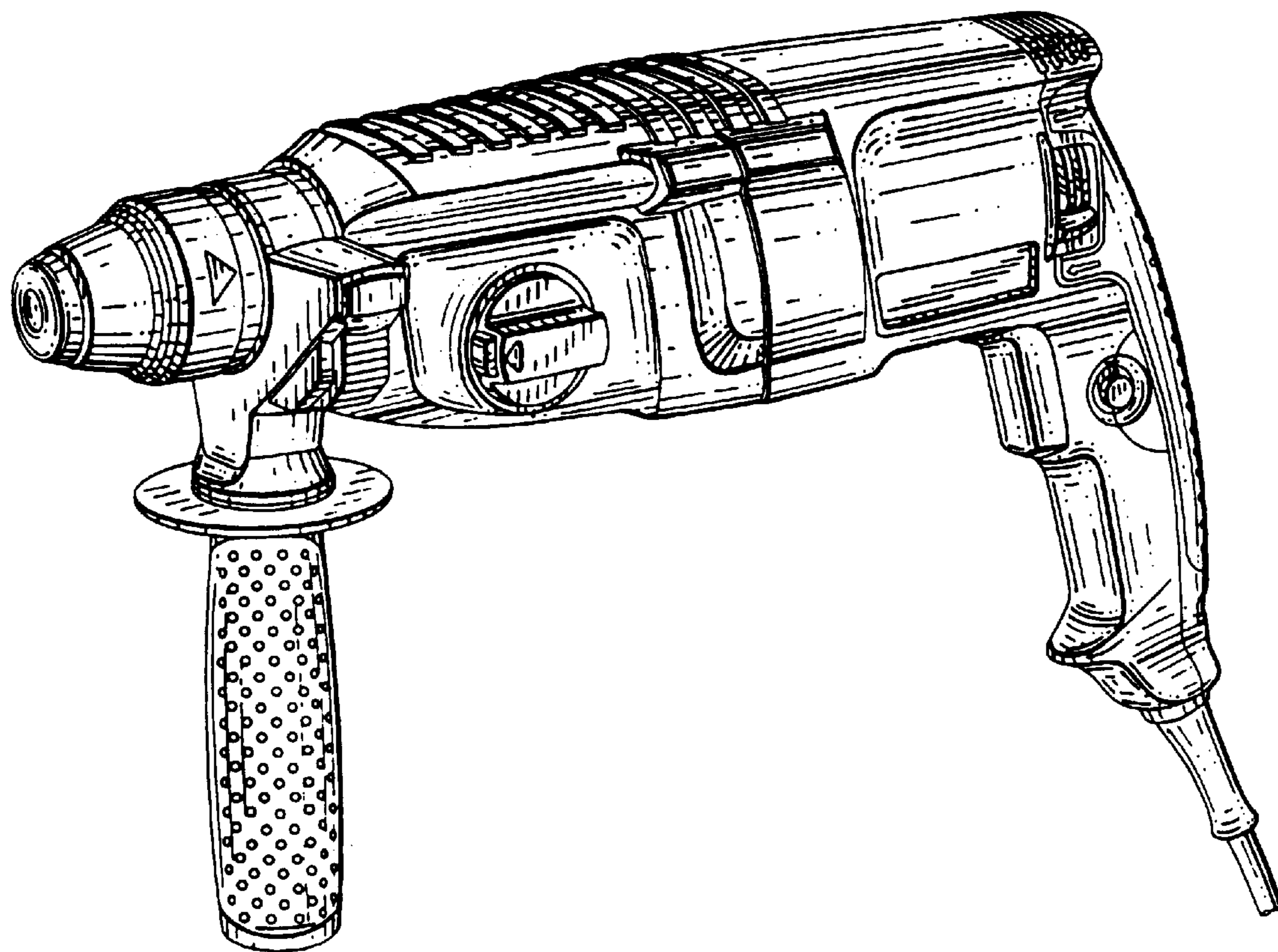


FIG. 1

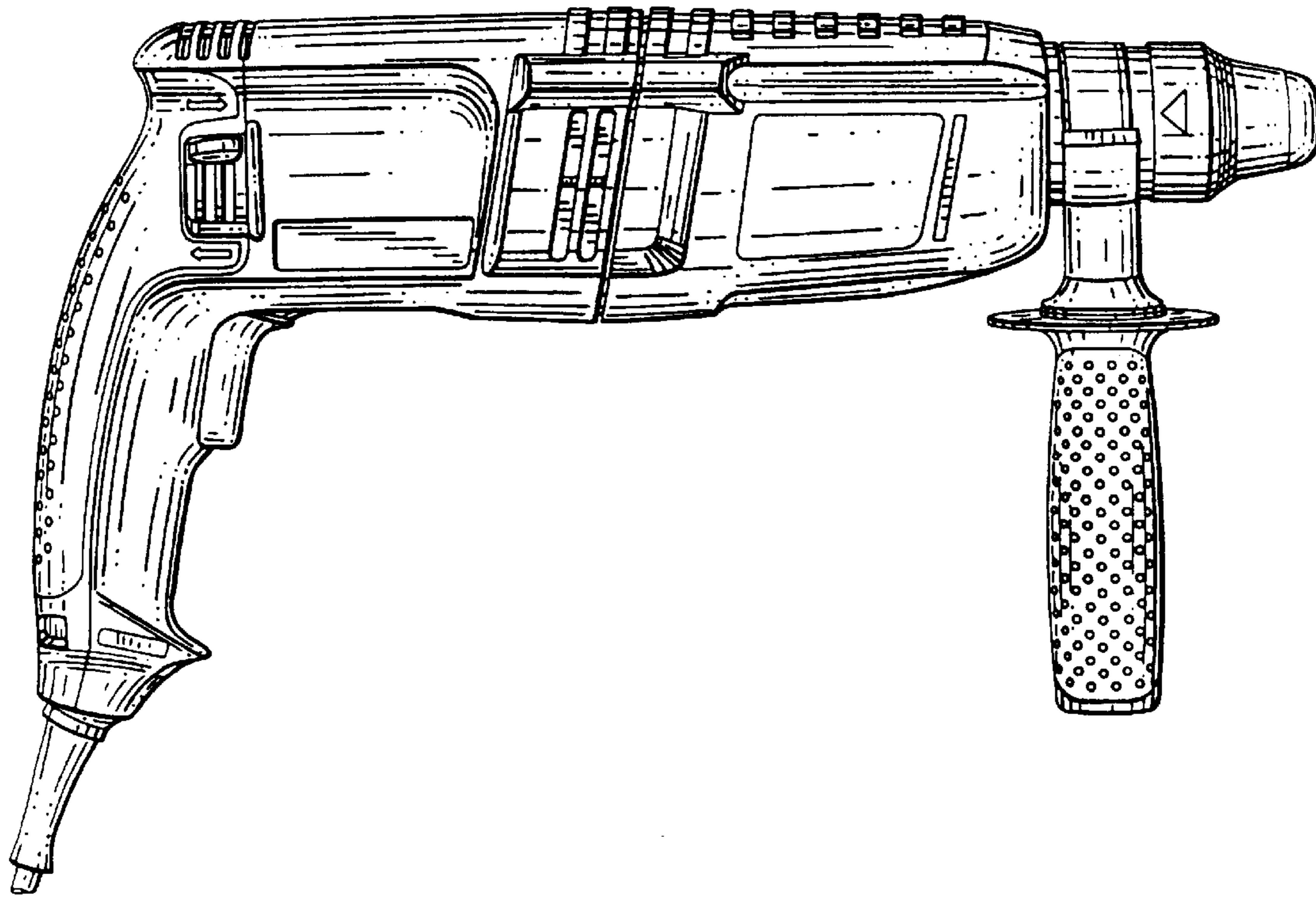


FIG. 2

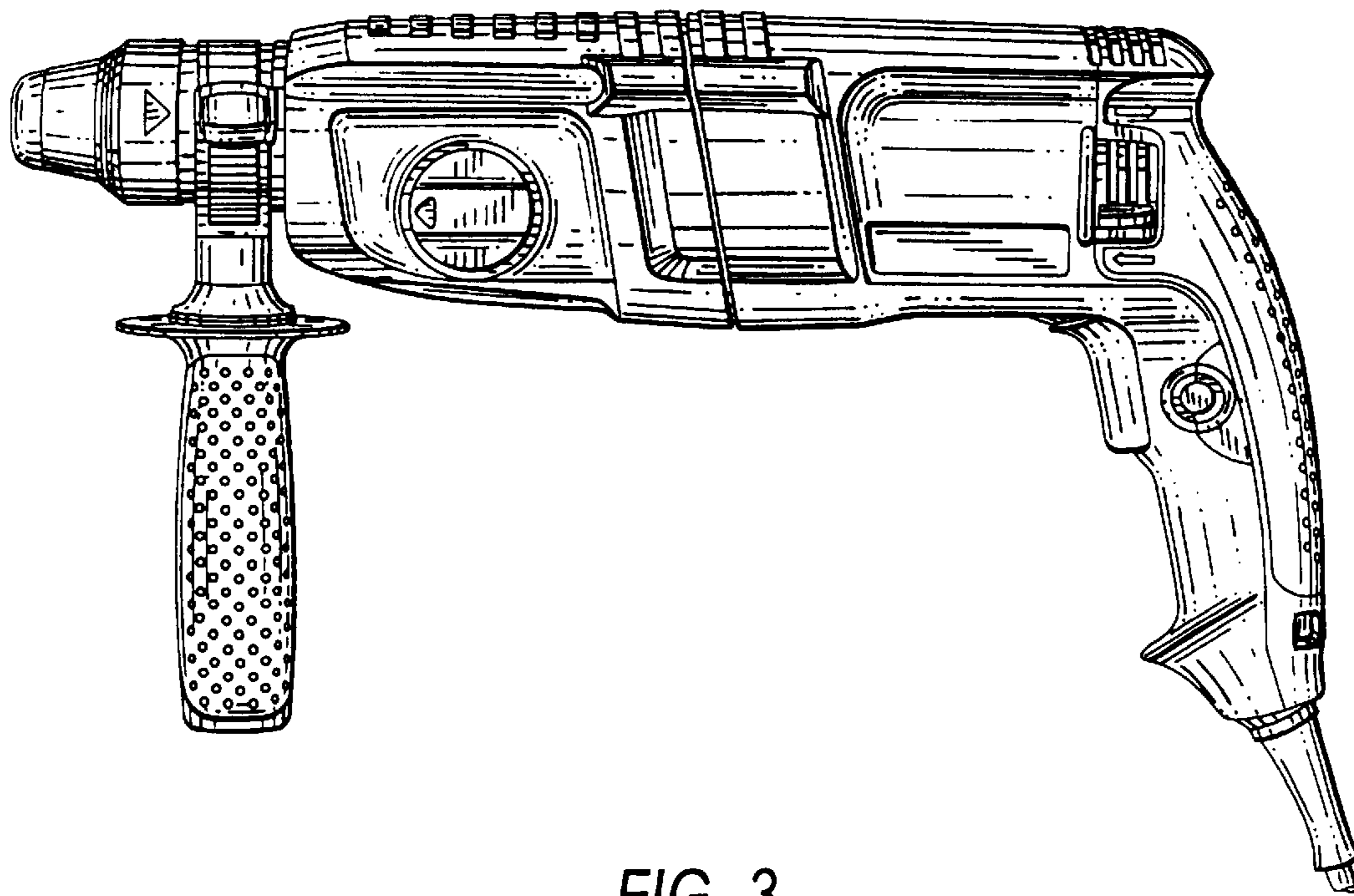


FIG. 3

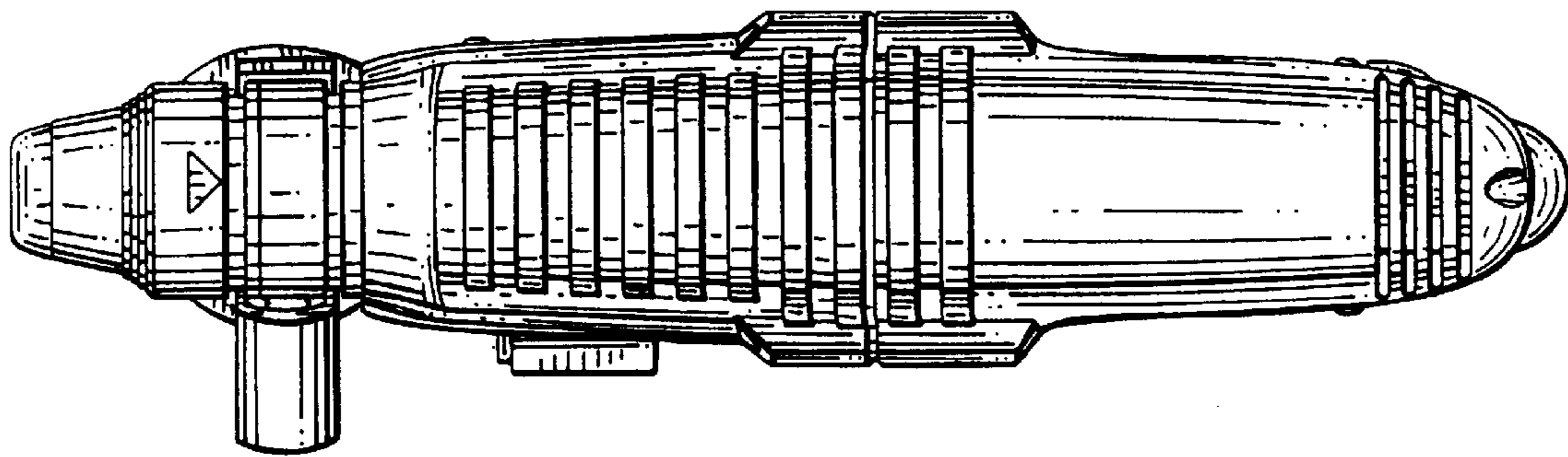


FIG. 4

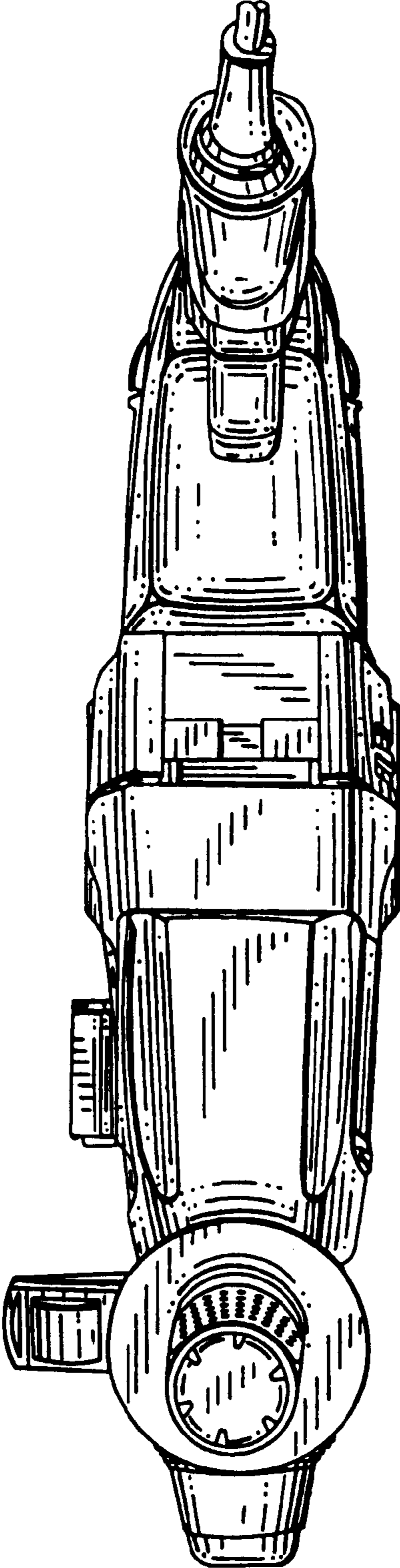


FIG. 5

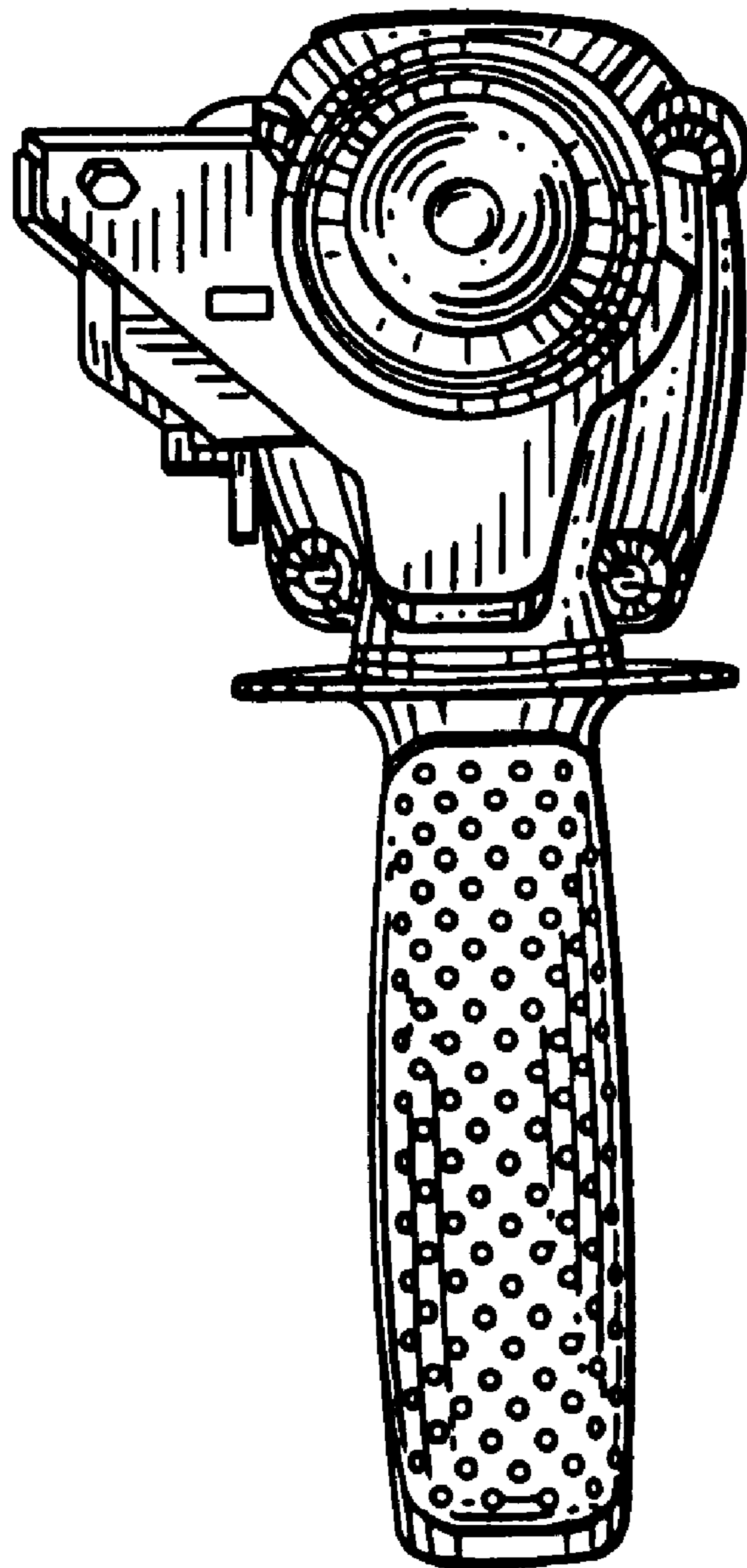


FIG. 6

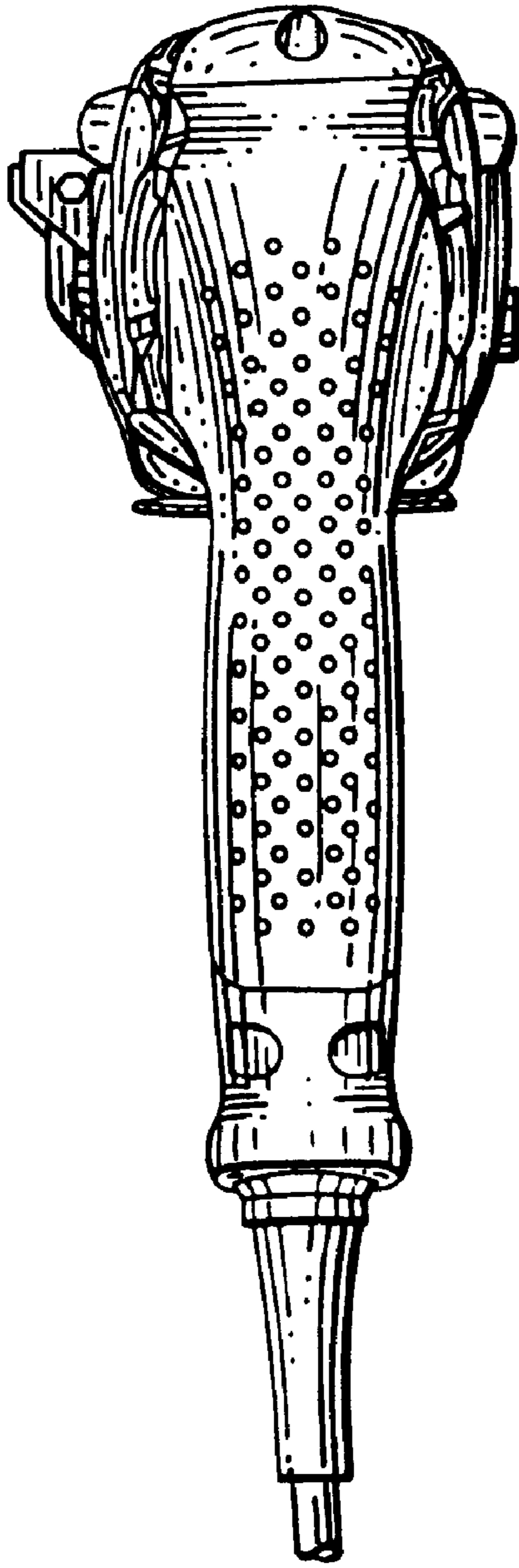


FIG. 7