

US00D507949S

(12) **United States Design Patent** (10) **Patent No.:** **US D507,949 S**
Chunn et al. (45) **Date of Patent:** **** Aug. 2, 2005**

(54) **CIRCULAR SAW**

(75) Inventors: **Daniel Alex Chunn**, Kowloon (HK);
Kam Lun Tailun Gates Sham, Tai Po (HK)

(73) Assignee: **One World Technologies Limited**,
Hamilton (BE)

(**) Term: **14 Years**

(21) Appl. No.: **29/206,332**

(22) Filed: **May 28, 2004**

(51) **LOC (8) Cl.** **08-03**

(52) **U.S. Cl.** **D8/66**

(58) **Field of Search** D8/61, 64, 66,
D8/67, 68, 69; 30/166.3, 373, 3, 375, 376,
377, 388, 389, 390, 391; 125/13.01; 144/218

6,161,293 A * 12/2000 Watson 30/377
D445,013 S 7/2001 Etter et al.
D449,503 S 10/2001 Tsuzuki et al.
6,308,424 B1 10/2001 Stielper
D453,099 S 1/2002 Welsh
D457,408 S 5/2002 Sakai et al.
D461,695 S 8/2002 Van Wambeke et al.
D466,385 S * 12/2002 Shigo et al. D8/66
D470,376 S * 2/2003 Chunn et al. D8/66
D472,126 S 3/2003 Miklosz et al.
6,543,143 B2 4/2003 Moore et al.
D475,265 S 6/2003 Hatch et al.
D475,266 S 6/2003 Sakai et al.
6,612,038 B2 9/2003 Onose et al.
D486,369 S * 2/2004 Keller D8/66
D487,385 S 3/2004 Zemlok et al.
D489,591 S 5/2004 Willer et al.
D492,564 S * 7/2004 Zemlok et al. D8/66
2002/0144405 A1 * 10/2002 Moore et al. 30/123
2003/0047050 A1 3/2003 Onose et al.
2004/0049927 A1 * 3/2004 Wu 30/391

(56) **References Cited**

U.S. PATENT DOCUMENTS

D180,815 S 8/1957 Bentley
4,787,145 A 11/1988 Klicker et al.
4,870,758 A 10/1989 Fushiya
4,939,843 A 7/1990 Rogers
D315,854 S * 4/1991 Kawakami et al. D8/66
D326,399 S 5/1992 Fushiya et al.
D329,363 S 9/1992 Sasaki et al.
5,285,708 A 2/1994 Bosten et al.
5,361,501 A 11/1994 Fajnsztajn
5,381,602 A * 1/1995 Matzo et al. 30/377
5,433,008 A 7/1995 Barger, Jr. et al.
D363,656 S 10/1995 Gierke
5,461,790 A 10/1995 Olstowski
D378,488 S * 3/1997 Ito et al. D8/66
D411,425 S 6/1999 Sugimoto et al.
D416,181 S 11/1999 Chung
D421,702 S 3/2000 Sakai et al.
6,055,734 A 5/2000 McCurry et al.
D427,872 S 7/2000 Snider
D427,874 S 7/2000 Hayakawa et al.
D428,318 S 7/2000 Gallagher et al.
D428,319 S 7/2000 Gallagher
6,094,827 A 8/2000 Campbell

* cited by examiner

Primary Examiner—Joel A. Sincavage
Assistant Examiner—Elizabeth Albert
(74) *Attorney, Agent, or Firm*—Brinks Hofer Gilson & Lione

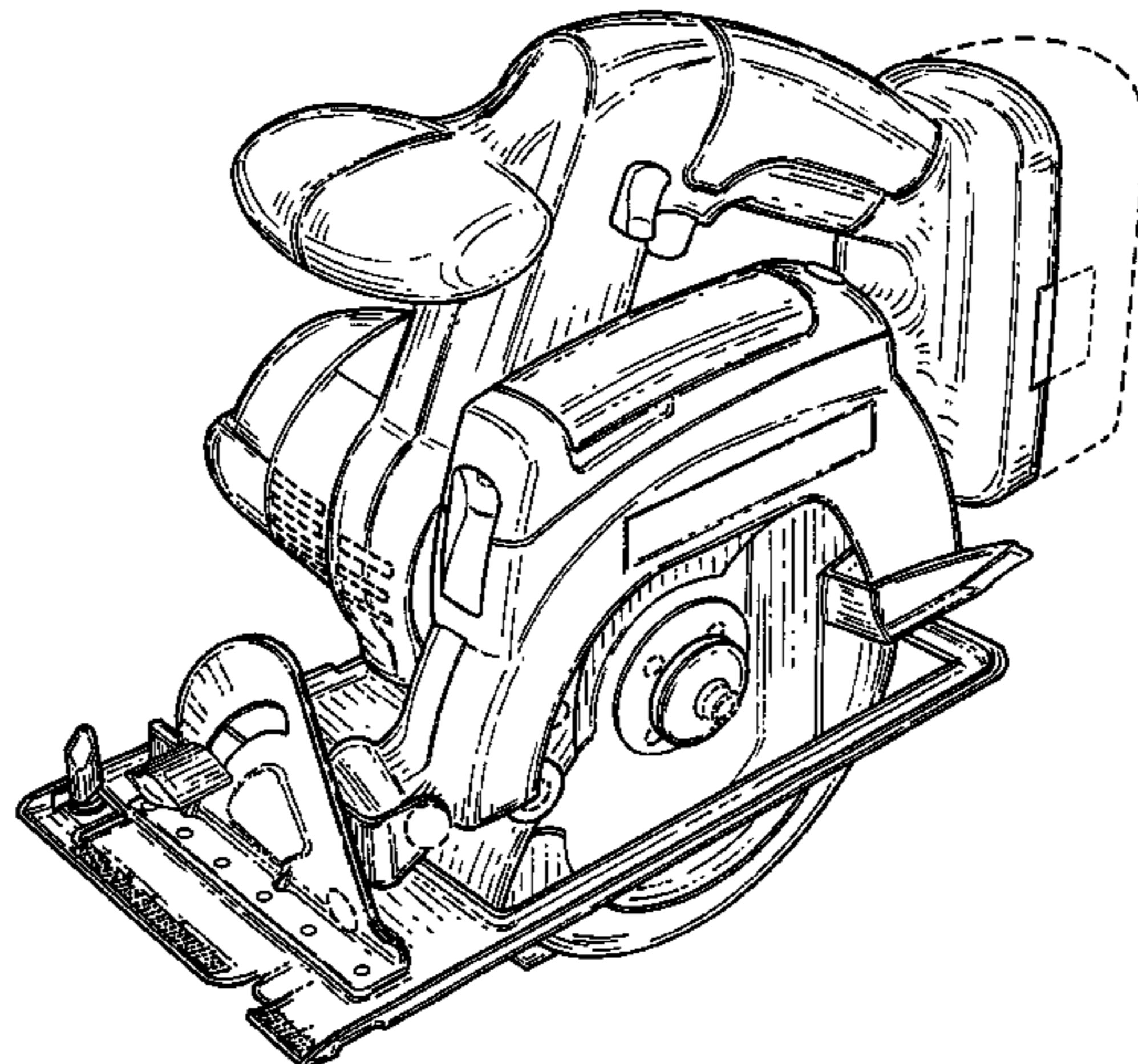
(57) **CLAIM**

The ornamental design for a circular saw, as shown and described.

DESCRIPTION

FIG. 1 is a top perspective view of a circular saw of the present invention;
FIG. 2 is a front view thereof;
FIG. 3 is a rear view thereof;
FIG. 4 is a first side view thereof;
FIG. 5 is a second side view thereof;
FIG. 6 is a top view thereof; and,
FIG. 7 is a bottom view thereof.
Any broken lines in the drawings are for illustrative purposes only and form no part of the claimed design.

1 Claim, 7 Drawing Sheets



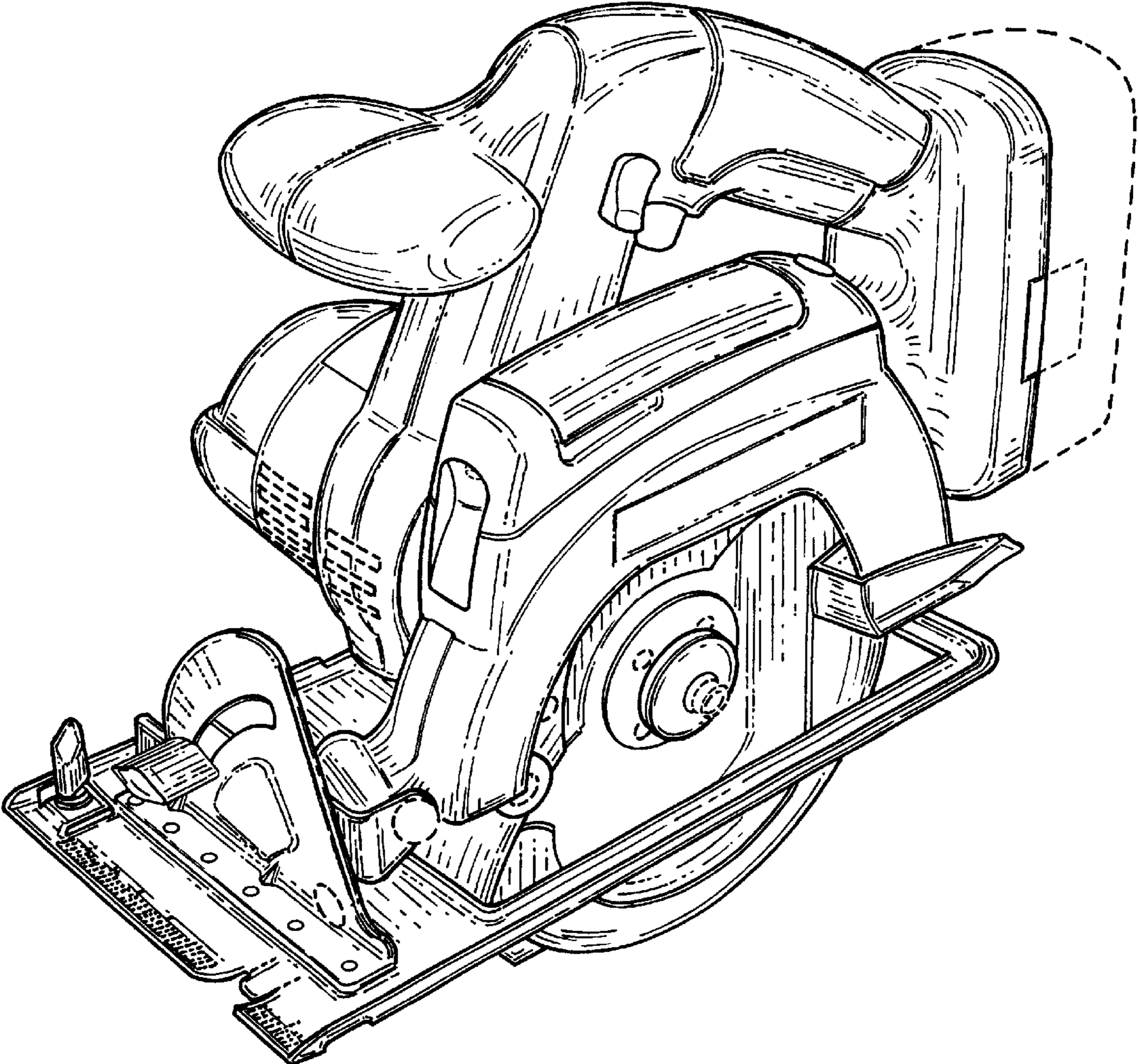


Fig. 1

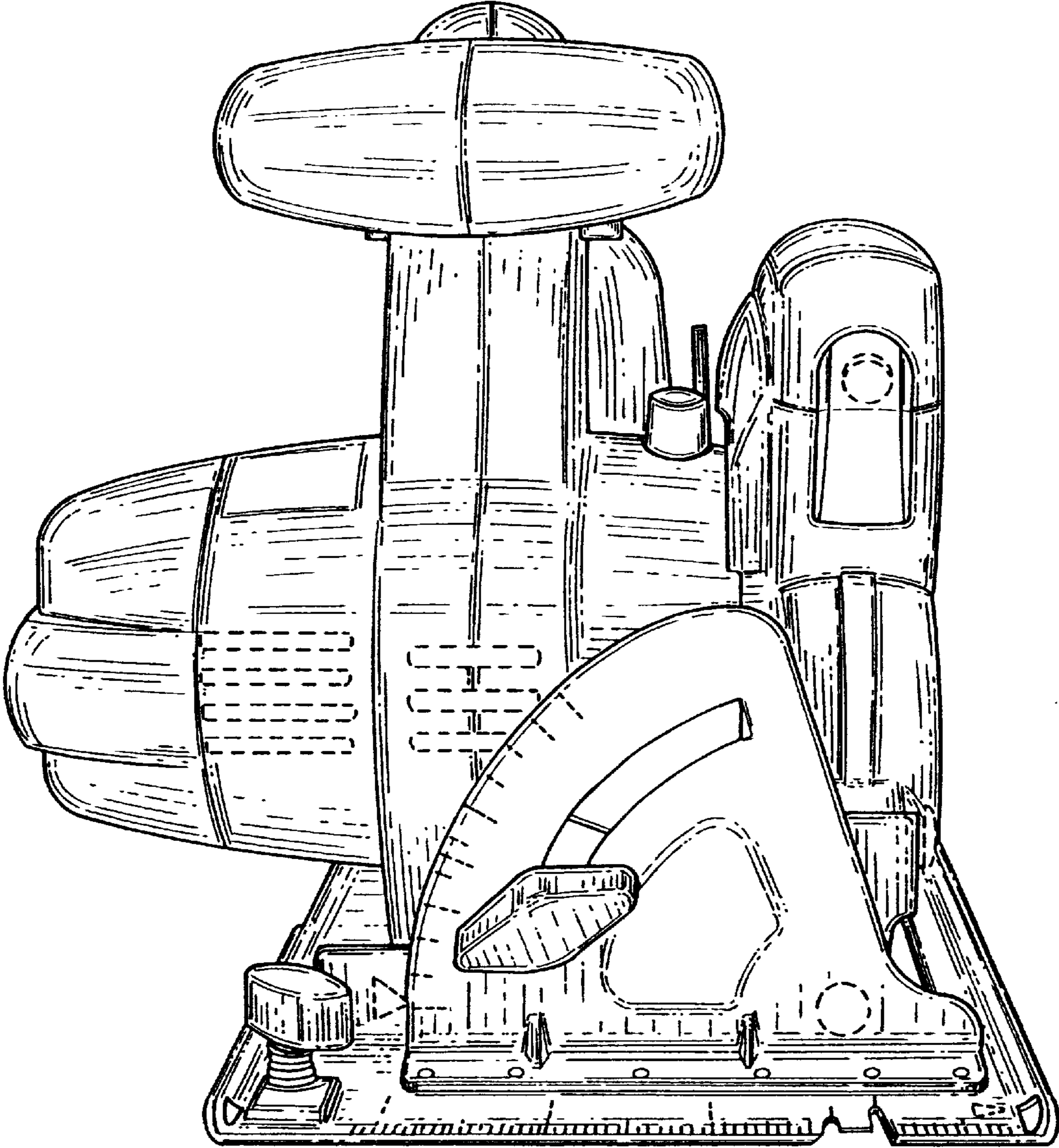


Fig. 2

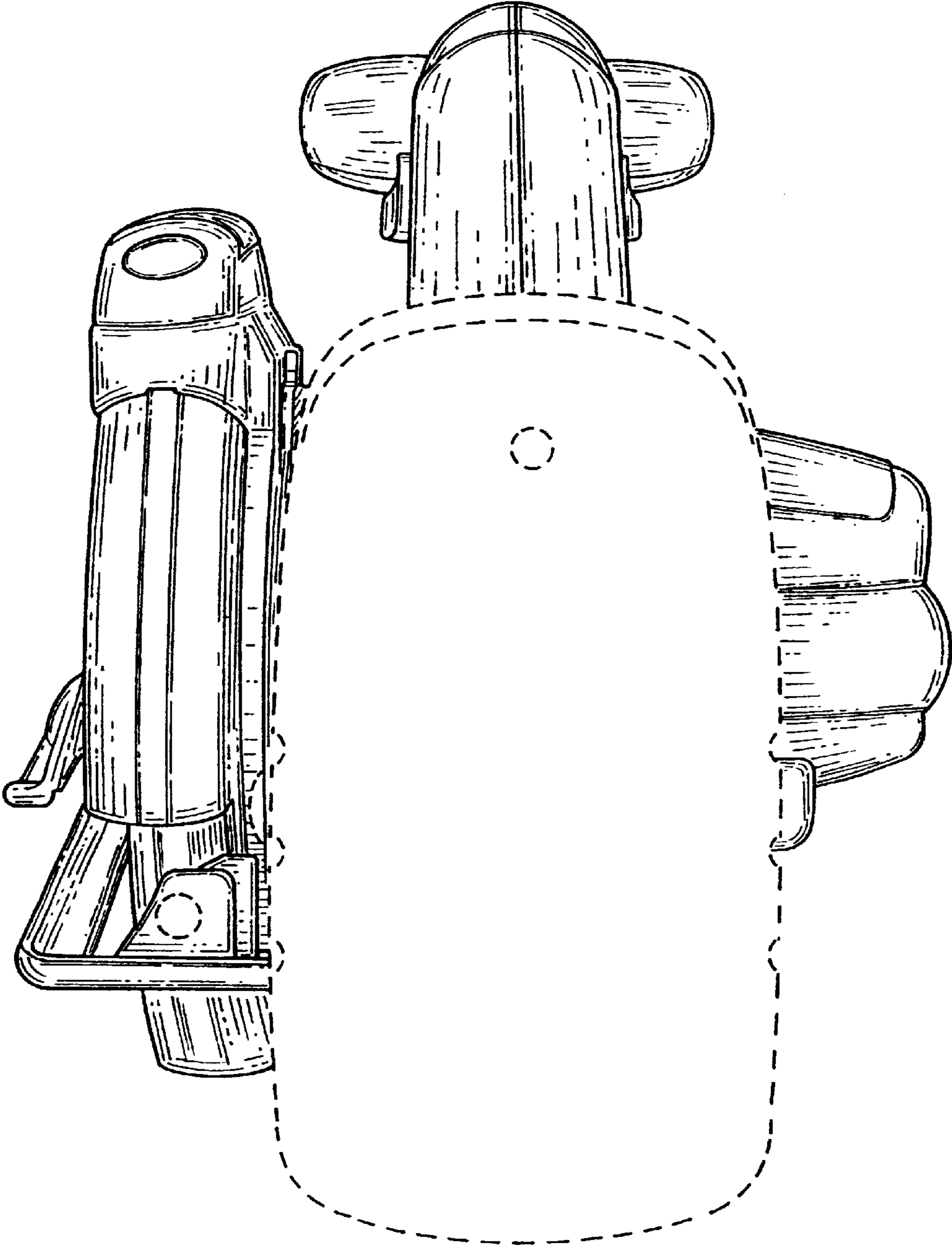


Fig. 3

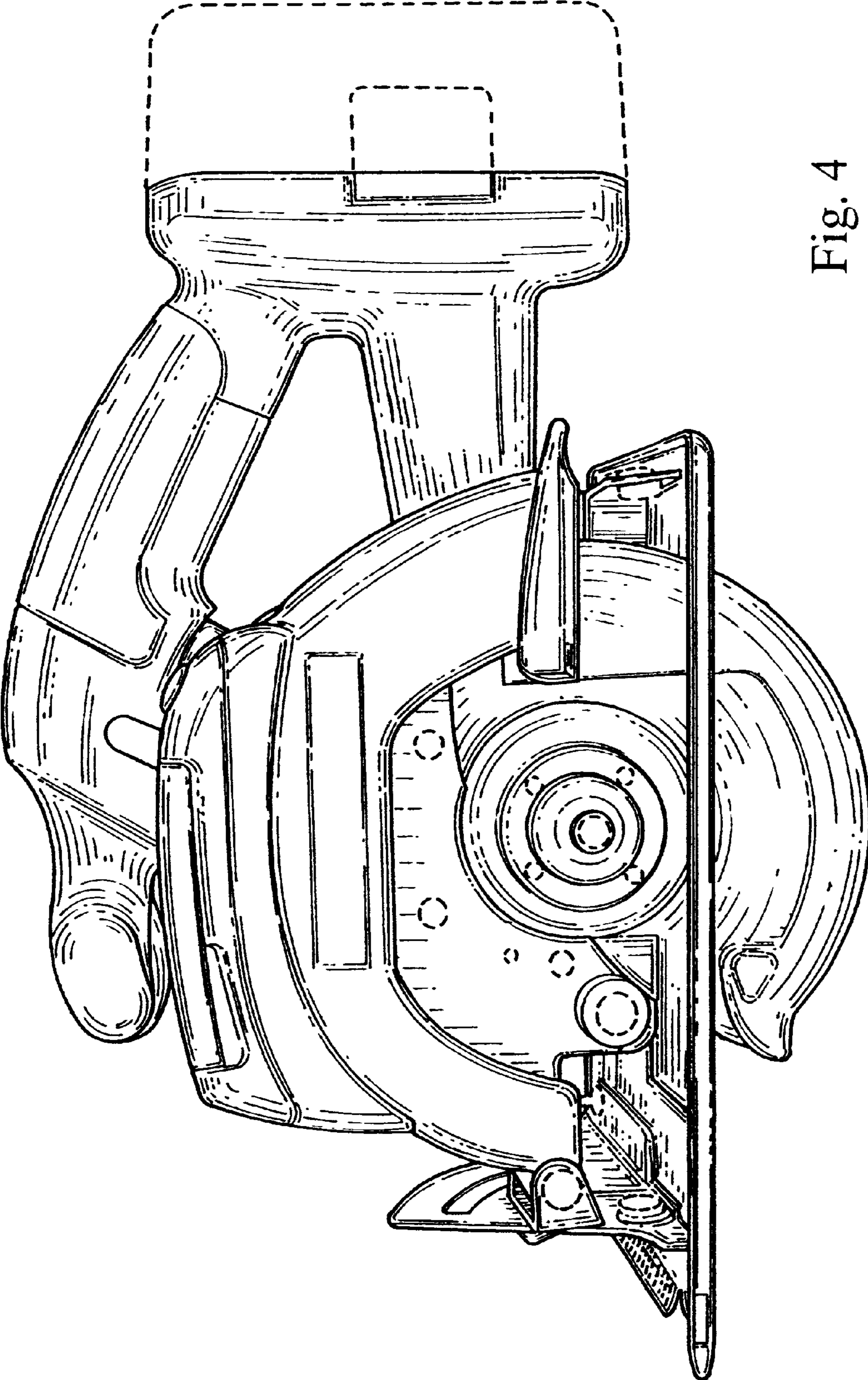


Fig. 4

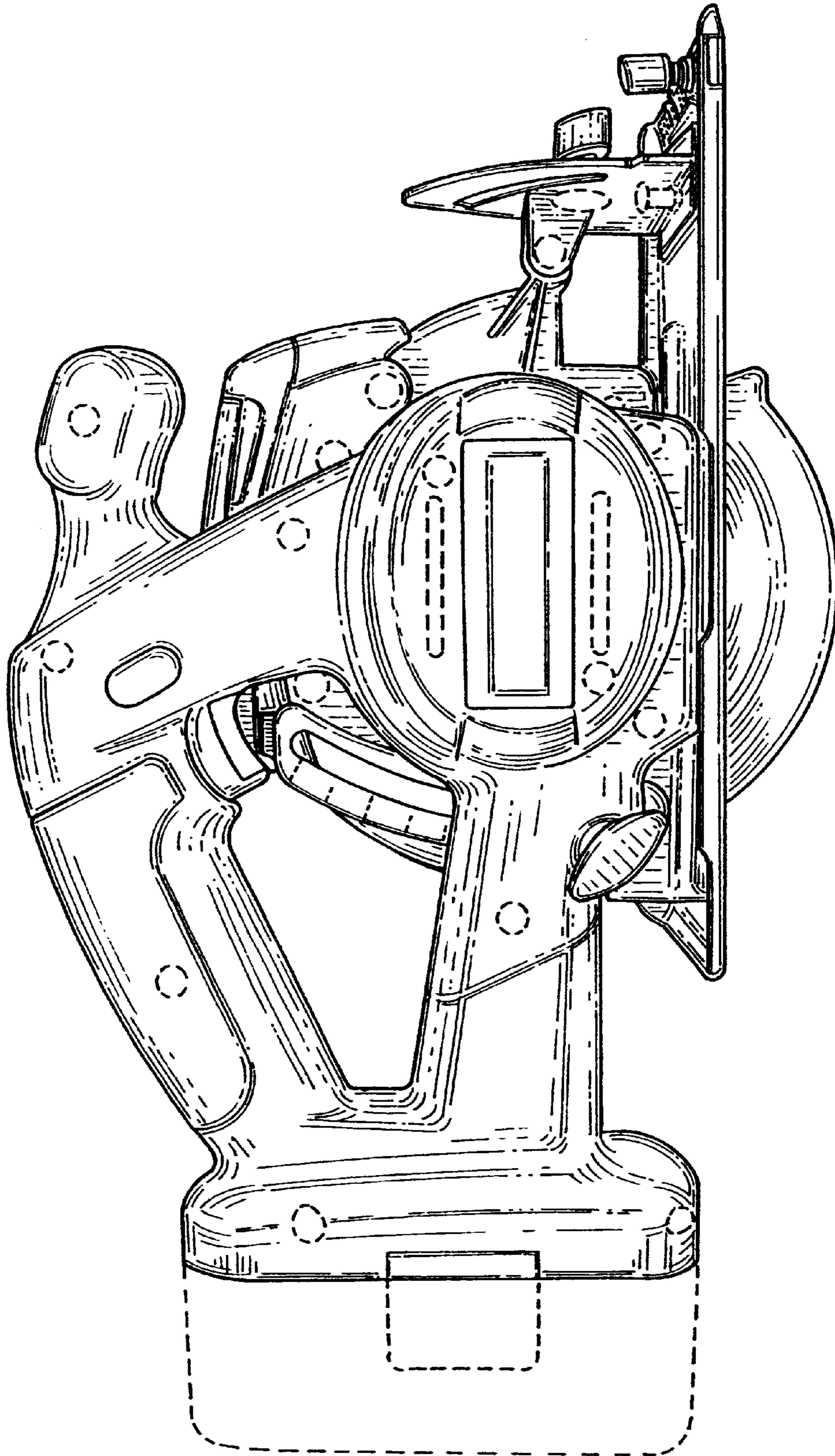


Fig. 5

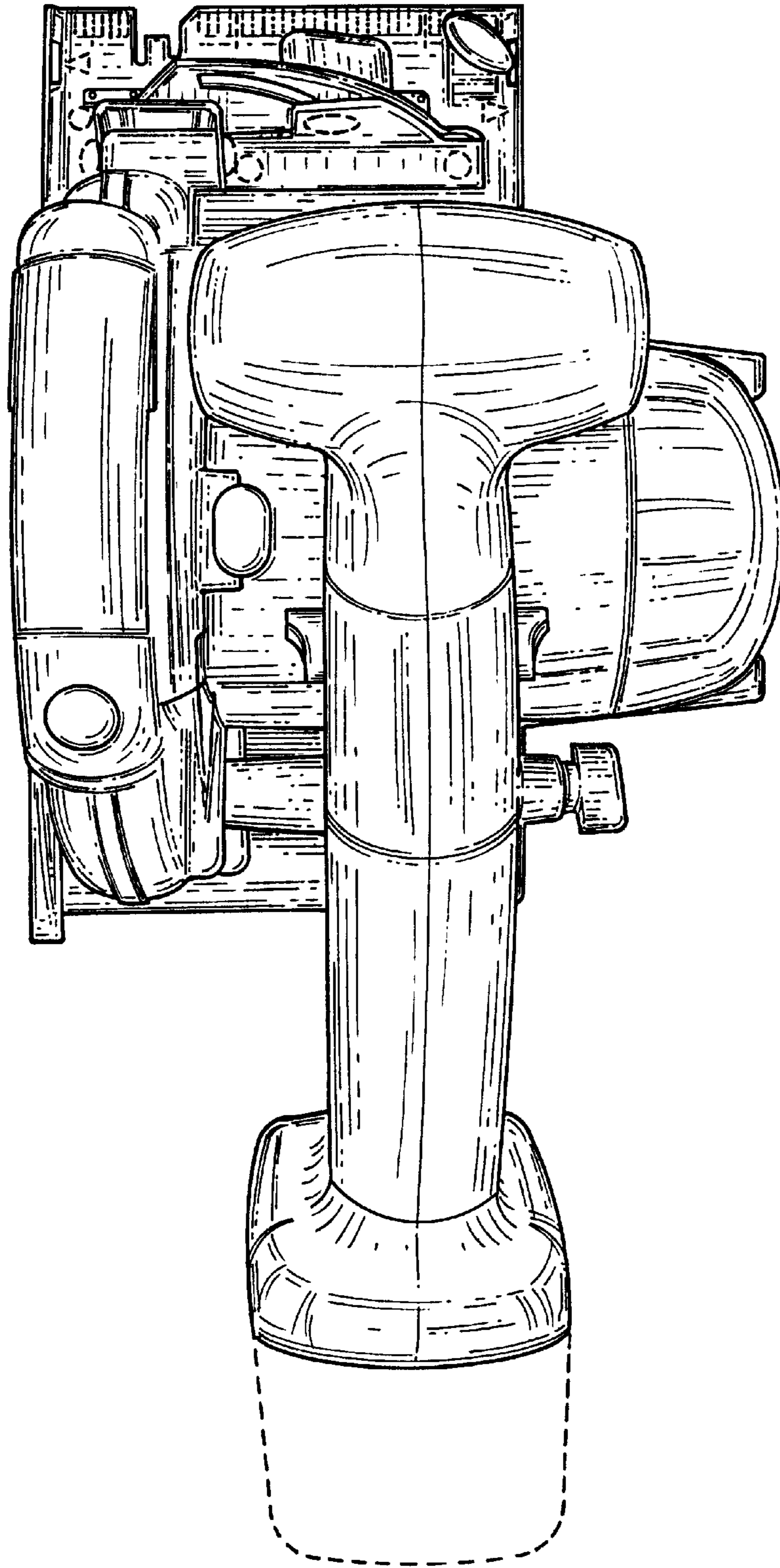


Fig. 6

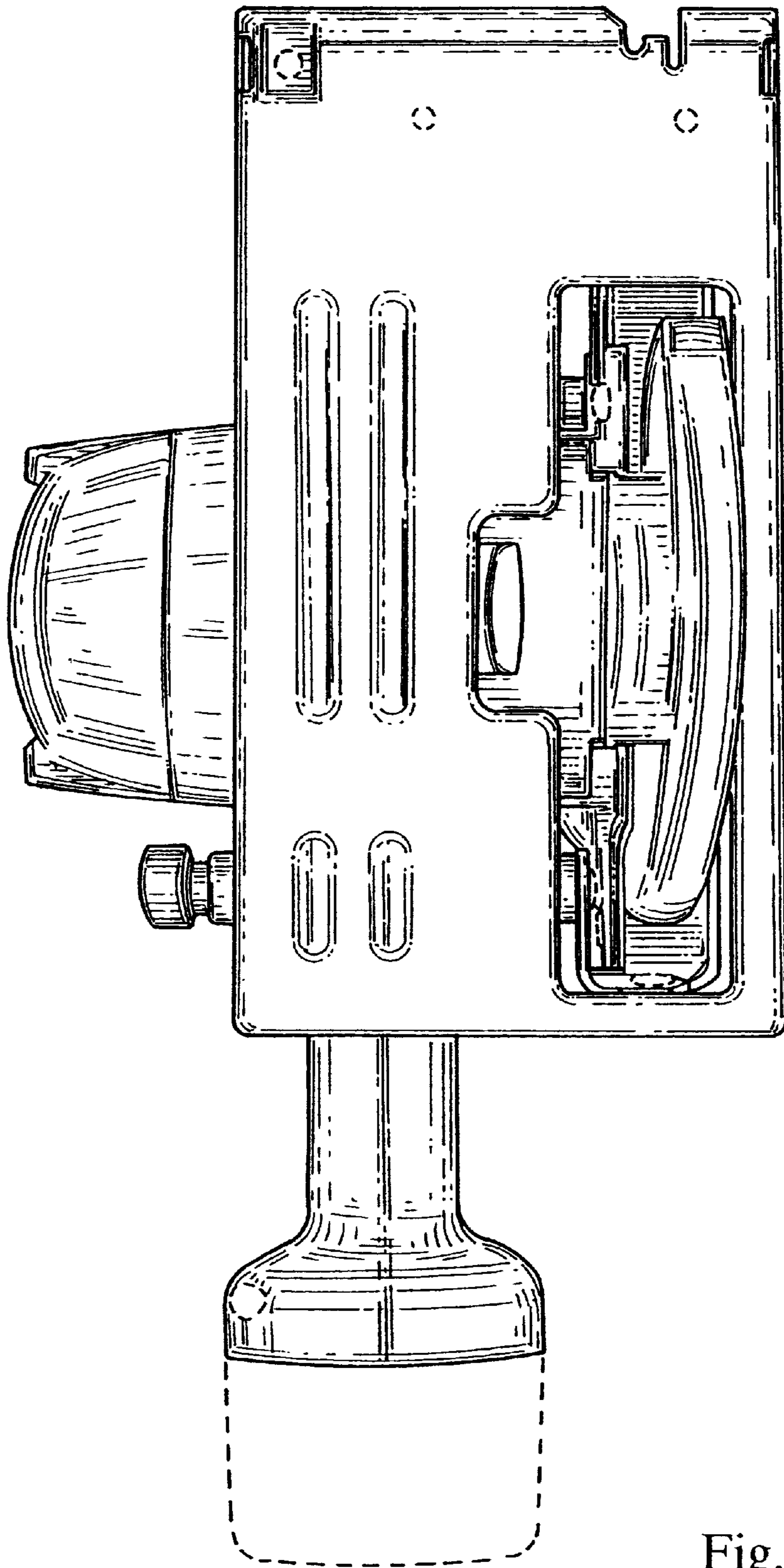


Fig. 7