



US00D507948S

(12) **United States Design Patent**
Boehler

(10) **Patent No.:** **US D507,948 S**

(45) **Date of Patent:** **** Aug. 2, 2005**

(54) **HANDHELD POWER TOOL**

(75) Inventor: **Daniel Boehler**, Denzlingen (DE)

(73) Assignee: **Guenther-Boehler GmbH**, Denzlingen (DE)

(**) Term: **14 Years**

(21) Appl. No.: **29/208,505**

(22) Filed: **Jun. 29, 2004**

(51) **LOC (8) Cl.** **08-01**

(52) **U.S. Cl.** **D8/62**

(58) **Field of Search** D8/61, 62, 67,
D8/69; D32/15, 17, 19; 15/97.1; 173/170,
171; 310/50; 451/344, 351, 353, 354, 355,
356, 357, 358, 359, 451, 456

(56) **References Cited**

U.S. PATENT DOCUMENTS

D332,734 S	*	1/1993	Fushiya et al.	D4/102
D416,112 S	*	11/1999	Holliday et al.	D32/19
D444,688 S		7/2001	Boehler		
6,264,539 B1	*	7/2001	Chen	451/359
D469,933 S	*	2/2003	Liang-Ming	D32/15
D489,151 S	*	4/2004	Krieger et al.	D32/15
D489,590 S		5/2004	Boehler		
2003/0199239 A1	*	10/2003	Hung	451/357
2004/0082285 A1	*	4/2004	Boehler	451/359

2004/0198202 A1 * 10/2004 Leonard 451/357
2004/0203329 A1 * 10/2004 Lin 451/357

* cited by examiner

Primary Examiner—Joel A. Sincavage

Assistant Examiner—Elizabeth Albert

(74) *Attorney, Agent, or Firm*—Watts Hoffmann Co., LPA

(57) **CLAIM**

I claim the ornamental design for a handheld power tool, as shown and described.

DESCRIPTION

FIG. 1 is a perspective view of a handheld power tool of the present invention;

FIG. 2 is another perspective view of the handheld power tool of FIG. 1;

FIG. 3 is another perspective view of the handheld power tool of FIG. 1;

FIG. 4 is a front elevation view of the handheld power tool of FIG. 1;

FIG. 5 is a side elevation view of the handheld power tool of FIG. 1; and,

FIG. 6 is a top plan view of the handheld power tool of FIG. 1.

The broken lines showing environment in the drawings are for information purposes only and form no part of the claimed design.

1 Claim, 6 Drawing Sheets

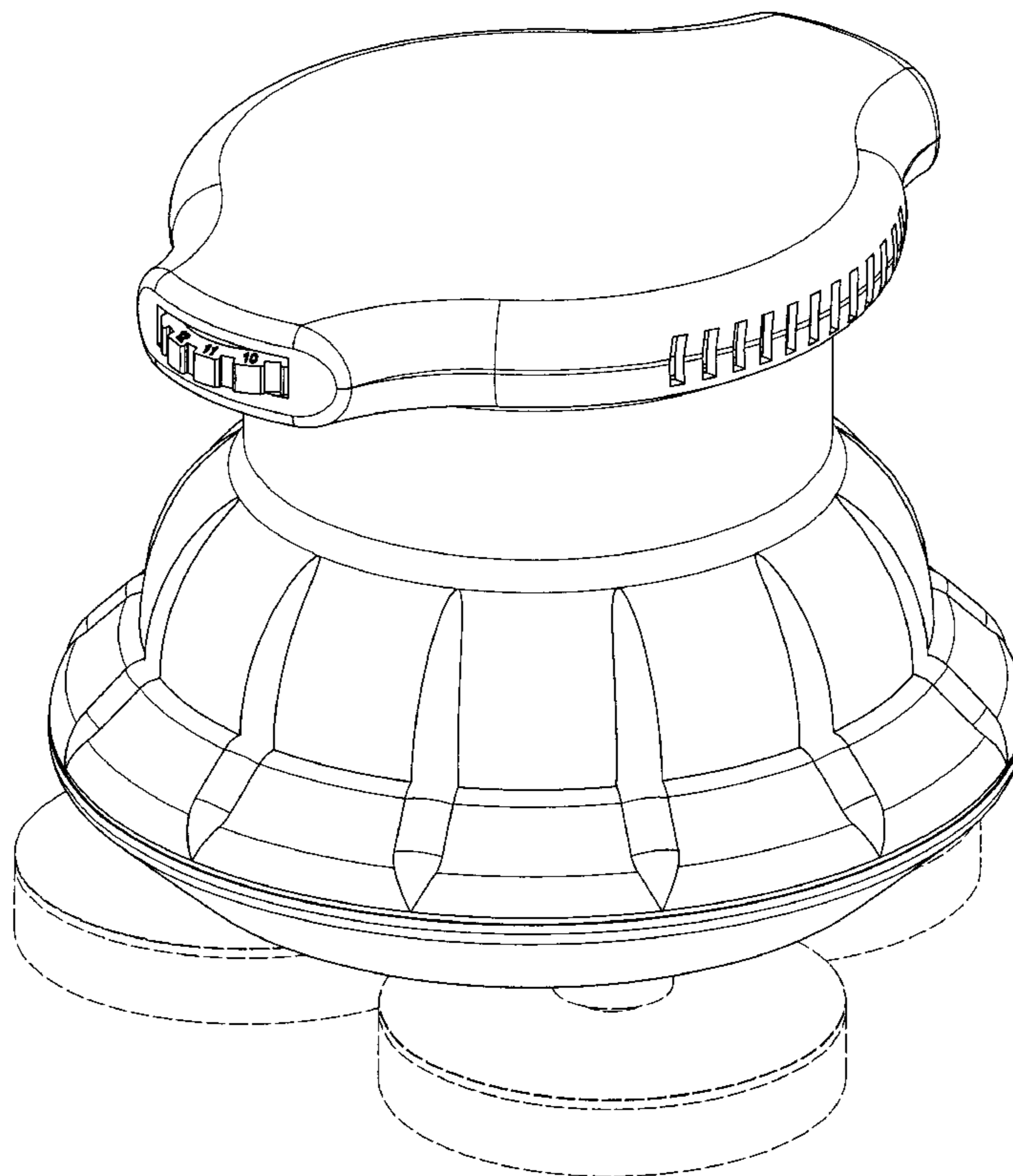


Figure 1

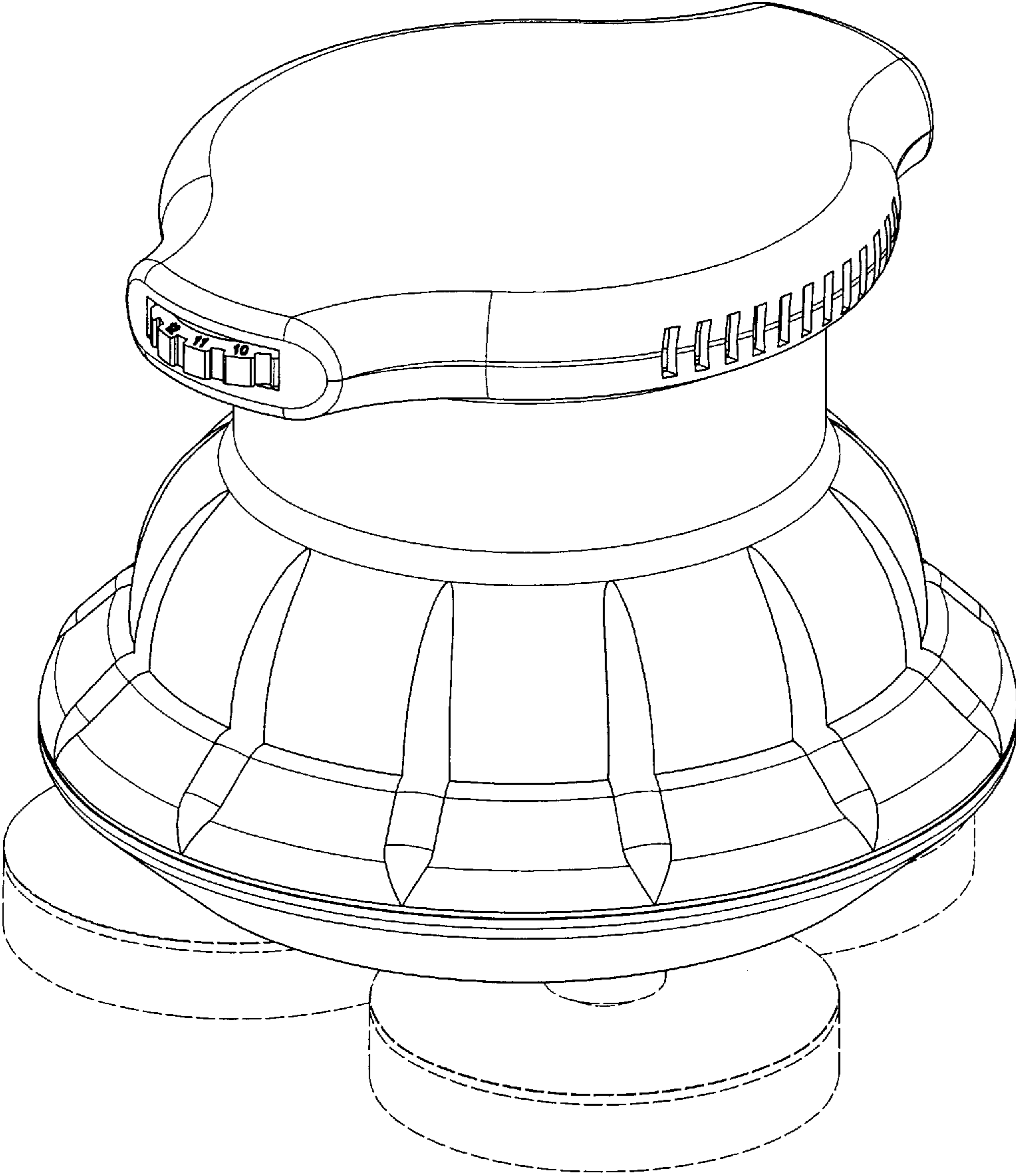


Figure 2

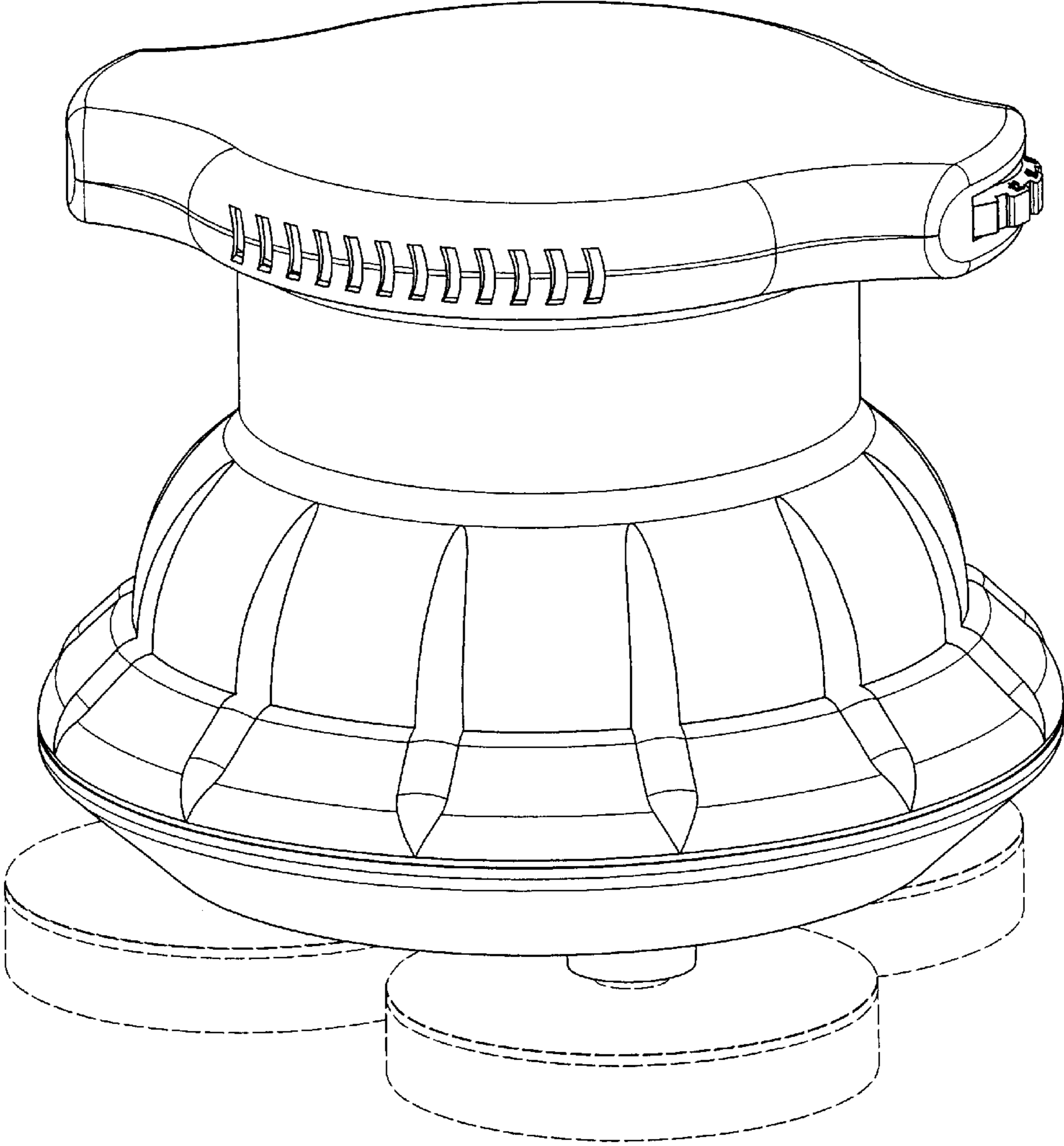


Figure 3

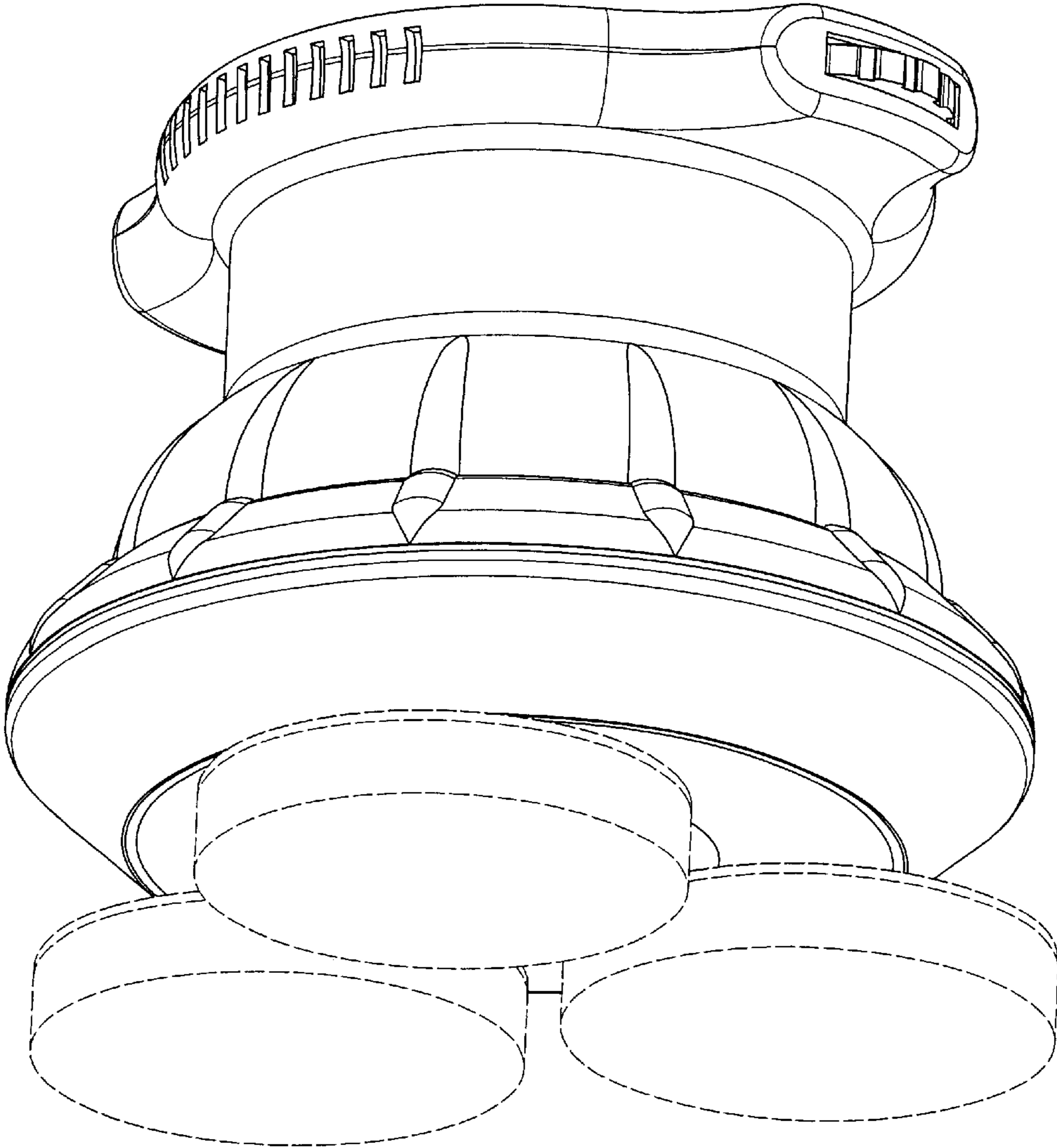


Figure 4

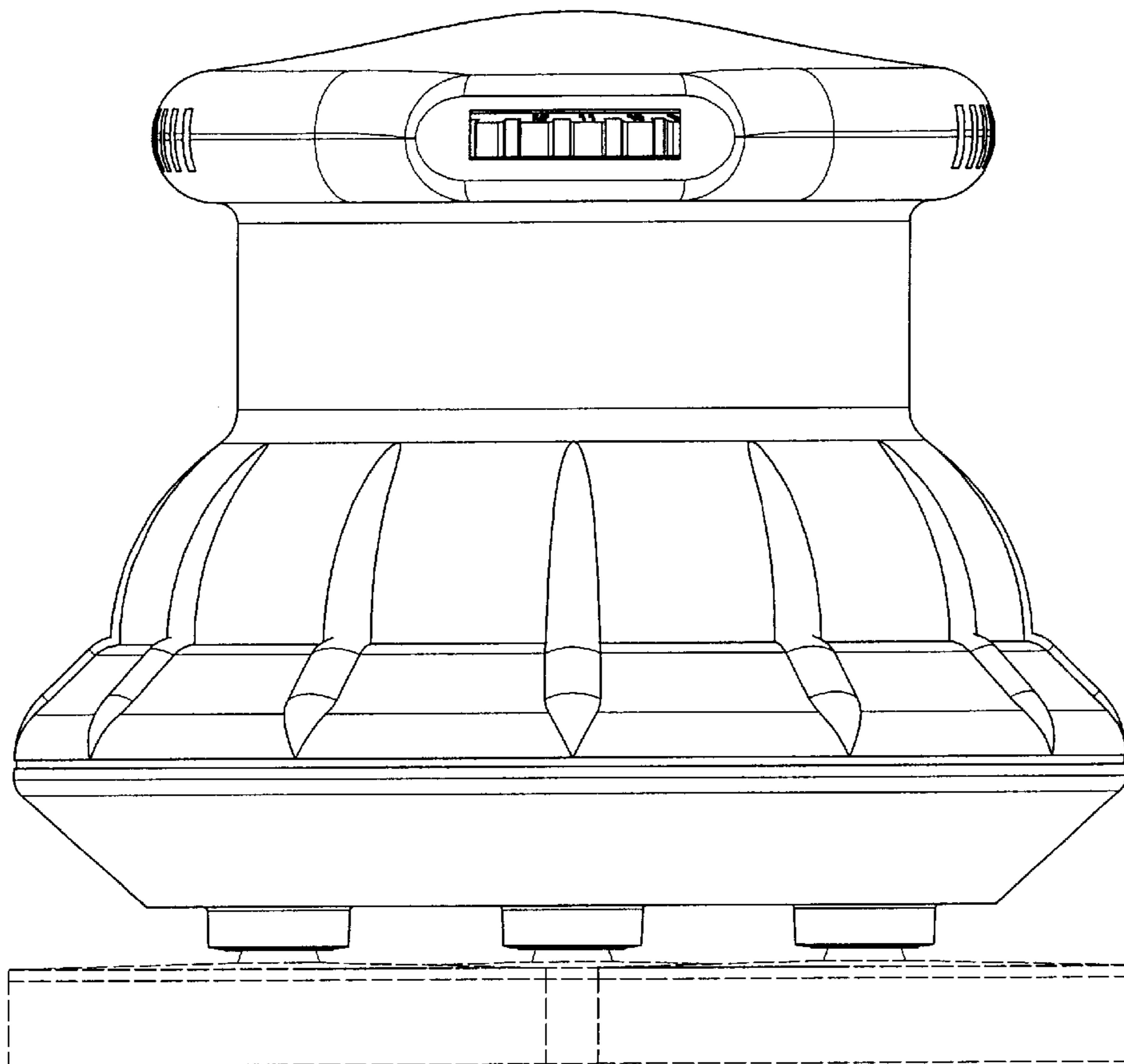


Figure 5

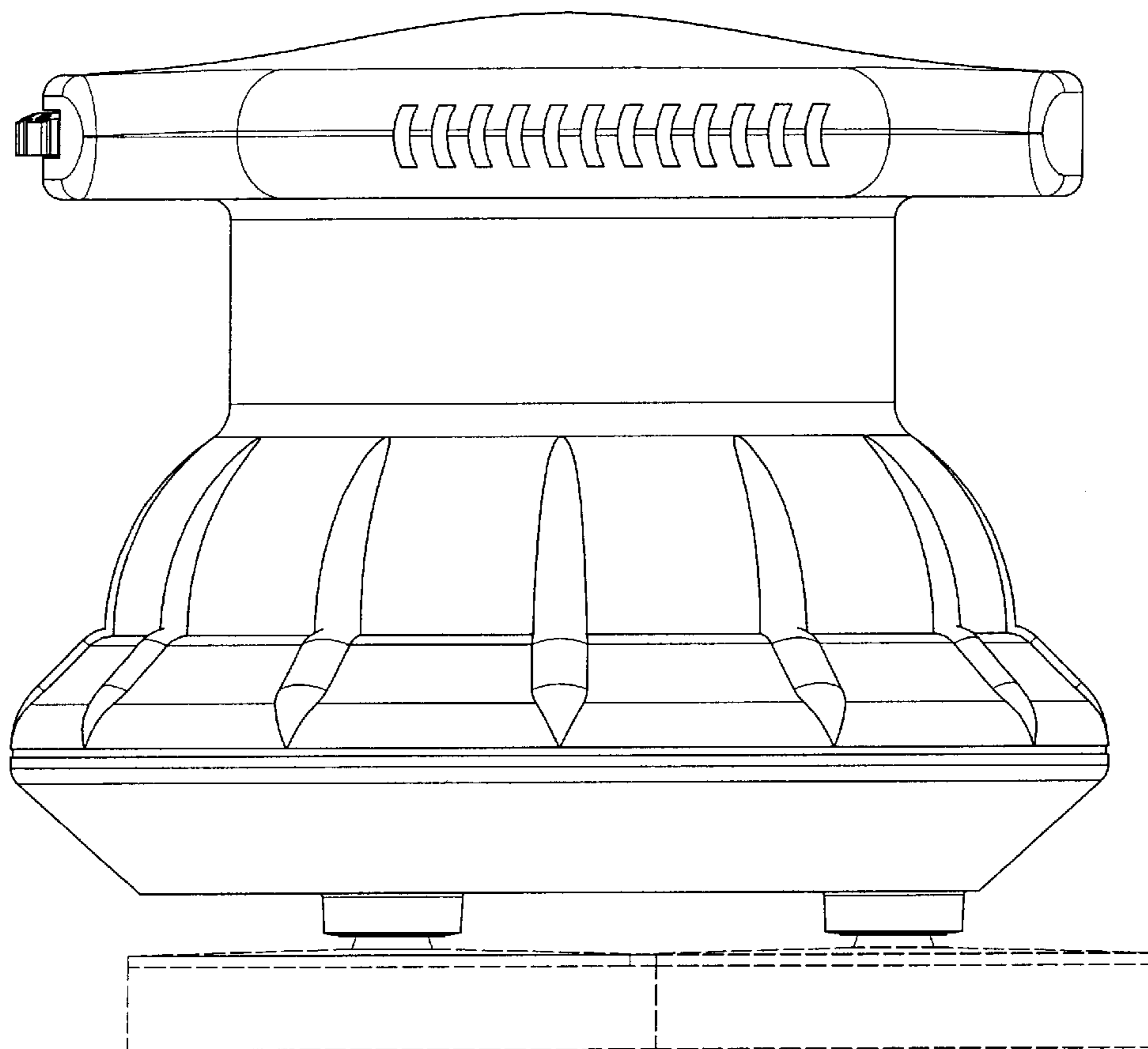


Figure 6

