



US00D507944S

(12) **United States Design Patent**  
**Crews**

(10) **Patent No.:** **US D507,944 S**

(45) **Date of Patent:** **\*\* Aug. 2, 2005**

(54) **HOE-RAKE**

(75) **Inventor:** **Matthew Crews**, Granite Bay, CA (US)

(73) **Assignee:** **WLM & Associates, Inc.**, Granite Bay, CA (US)

(\*\*) **Term:** **14 Years**

(21) **Appl. No.:** **29/214,535**

(22) **Filed:** **Oct. 5, 2004**

(51) **LOC (8) Cl.** ..... **08-01**

(52) **U.S. Cl.** ..... **D8/13**

(58) **Field of Search** ..... D8/13; 56/400.01, 56/400.04, 400.17, 400.05, 400.21

(56) **References Cited**

**U.S. PATENT DOCUMENTS**

D331,353 S \* 12/1992 Valentine ..... D8/6  
D411,788 S \* 7/1999 Watson ..... D8/13

\* cited by examiner

*Primary Examiner*—Holly Baynham

(74) *Attorney, Agent, or Firm*—Mark C. Jacobs

(57) **CLAIM**

The ornamental design for hoe-rake, as shown and described.

**DESCRIPTION**

FIG. 1 is a bottom plan view of the first embodiment of the hoe-rake of this design.

FIG. 2 is a left side view thereof. The right side is a mirror image thereof.

FIG. 3 is a top view of the first embodiment of the hoe-rake of this design.

FIG. 4 is a top perspective view of the first embodiment of the hoe-rake of this design.

FIG. 5 is a horizontally positioned rear view of this design.

FIG. 6 is a rear perspective view of the first embodiment.

FIG. 7 is a front view of the first embodiment of the hoe-rake of this design.

FIG. 8 is a top perspective view of the second embodiment of this design.

FIG. 9 is a left side view of the second embodiment. The right is a mirror image thereof.

FIG. 10 is a top view of the second embodiment of this design.

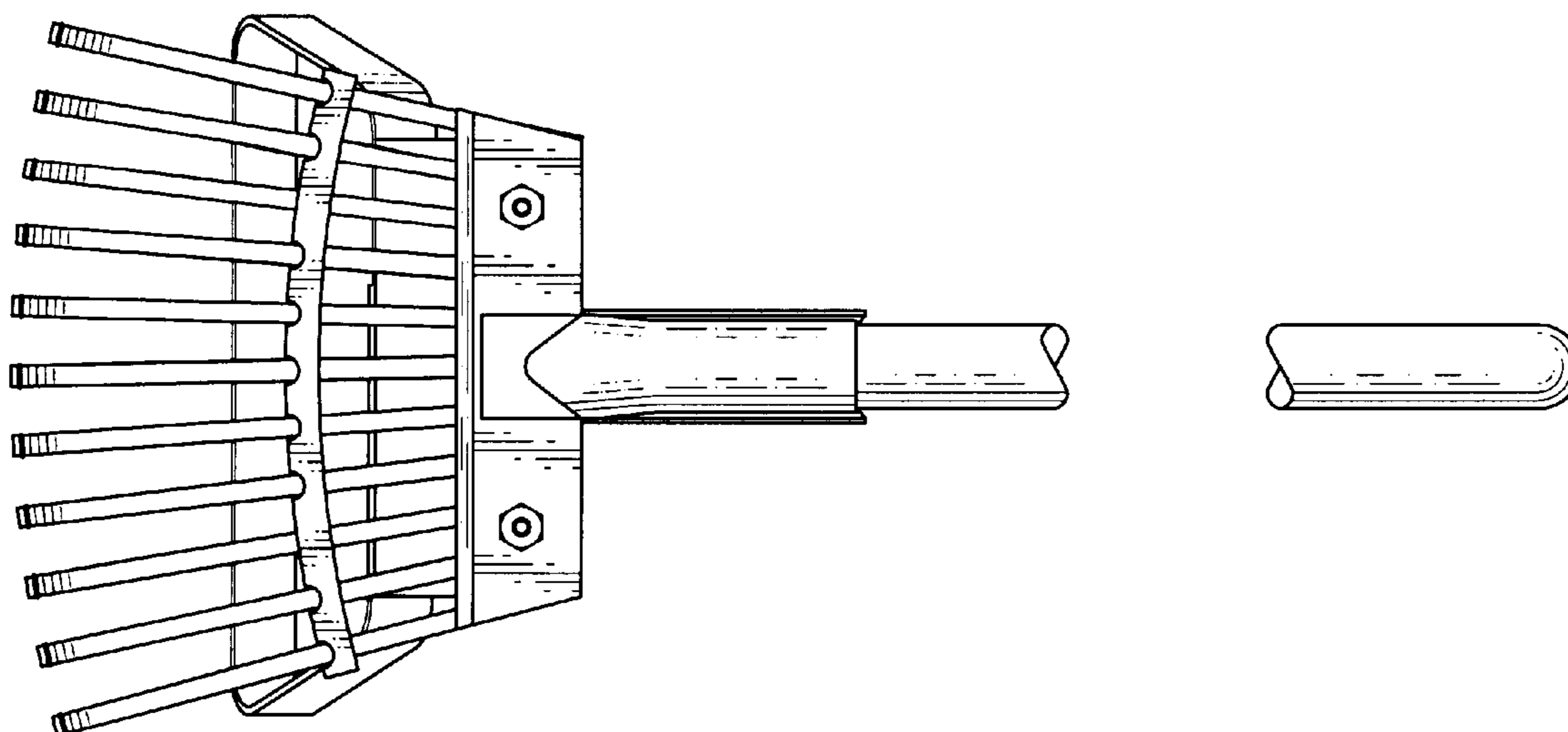
FIG. 11 is a bottom plan the second embodiment of the hoe-rake of this design.

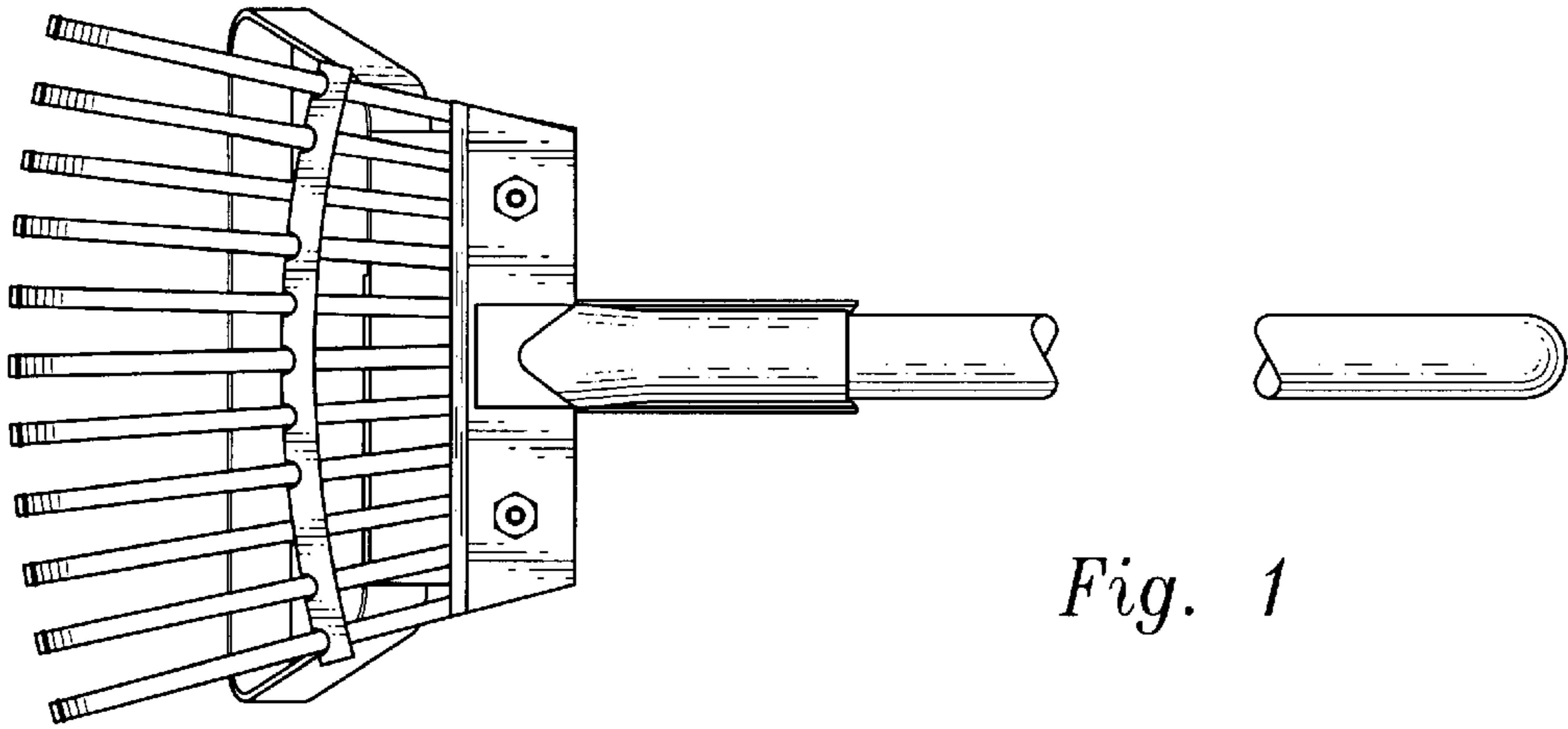
FIG. 12 is a lower rear perspective view of the second embodiment; and,

FIG. 13 is a front view of the second embodiment.

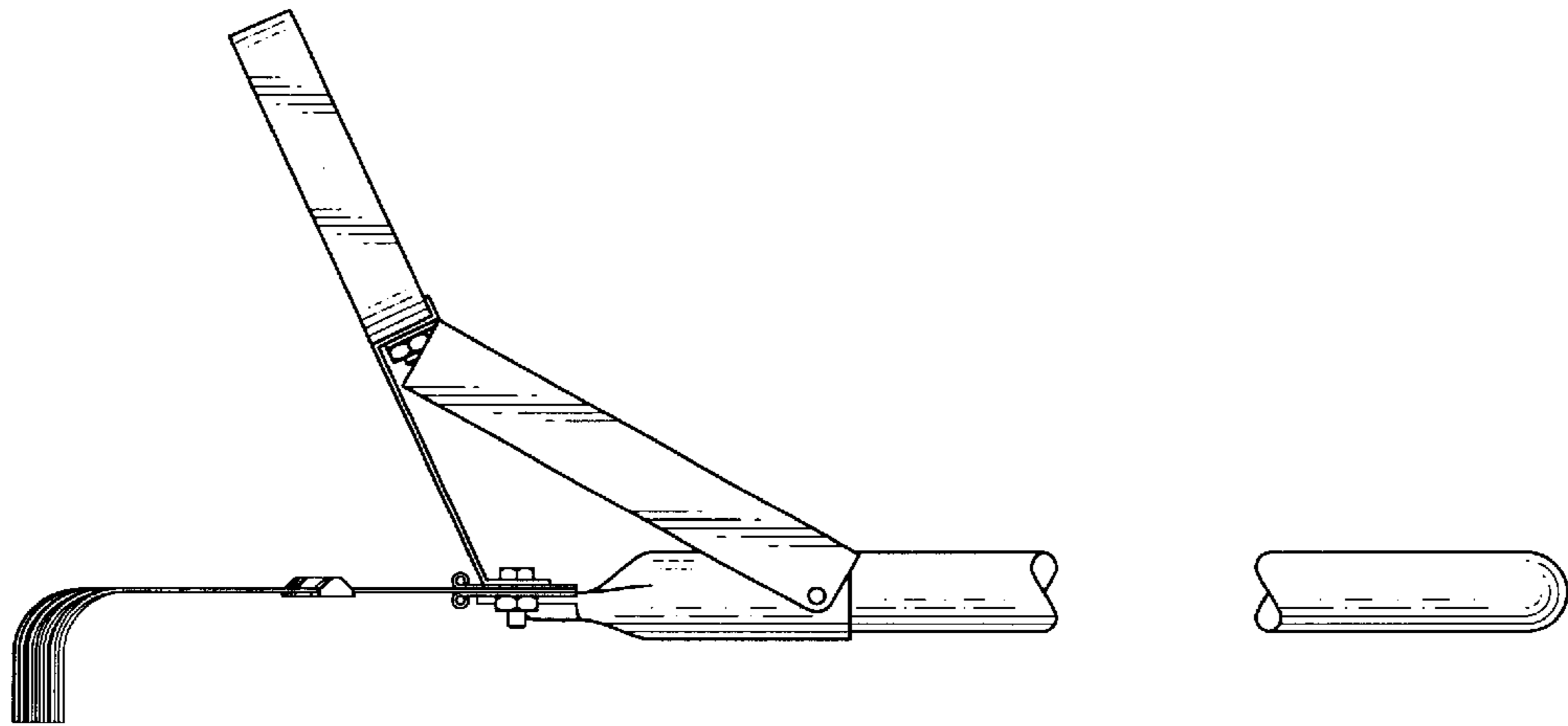
The handle of the hoe-rake is shown broken away to indicate indeterminate length.

**1 Claim, 4 Drawing Sheets**

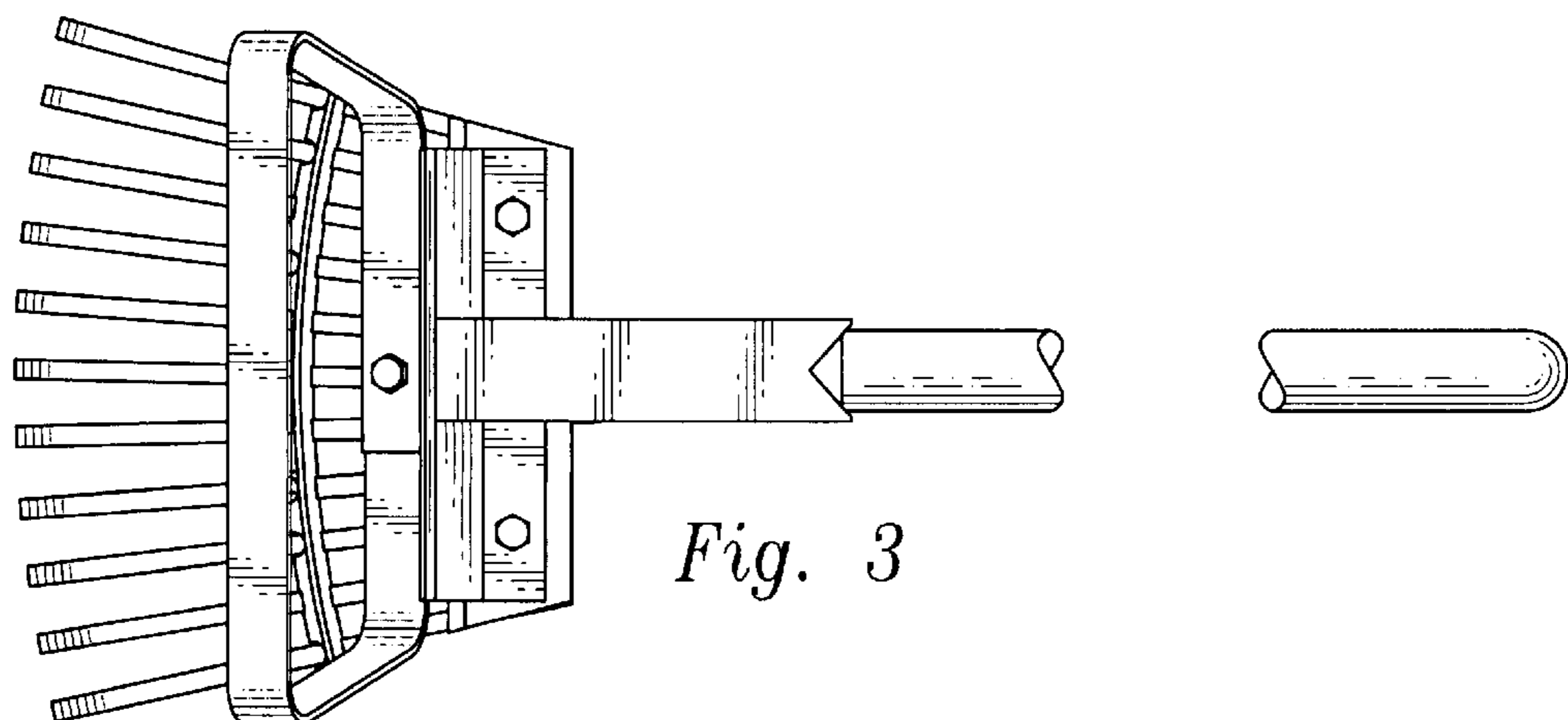




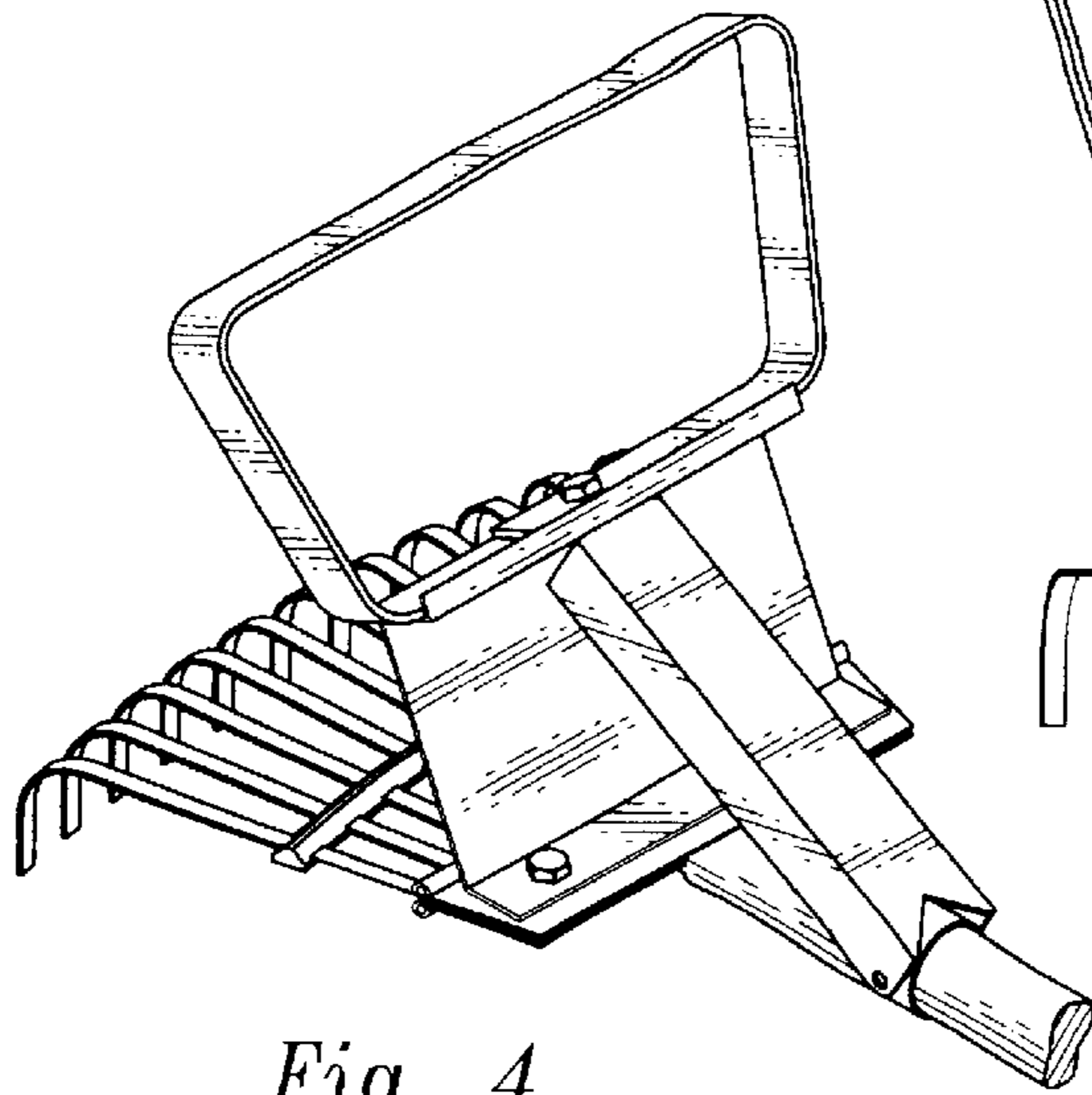
*Fig. 1*



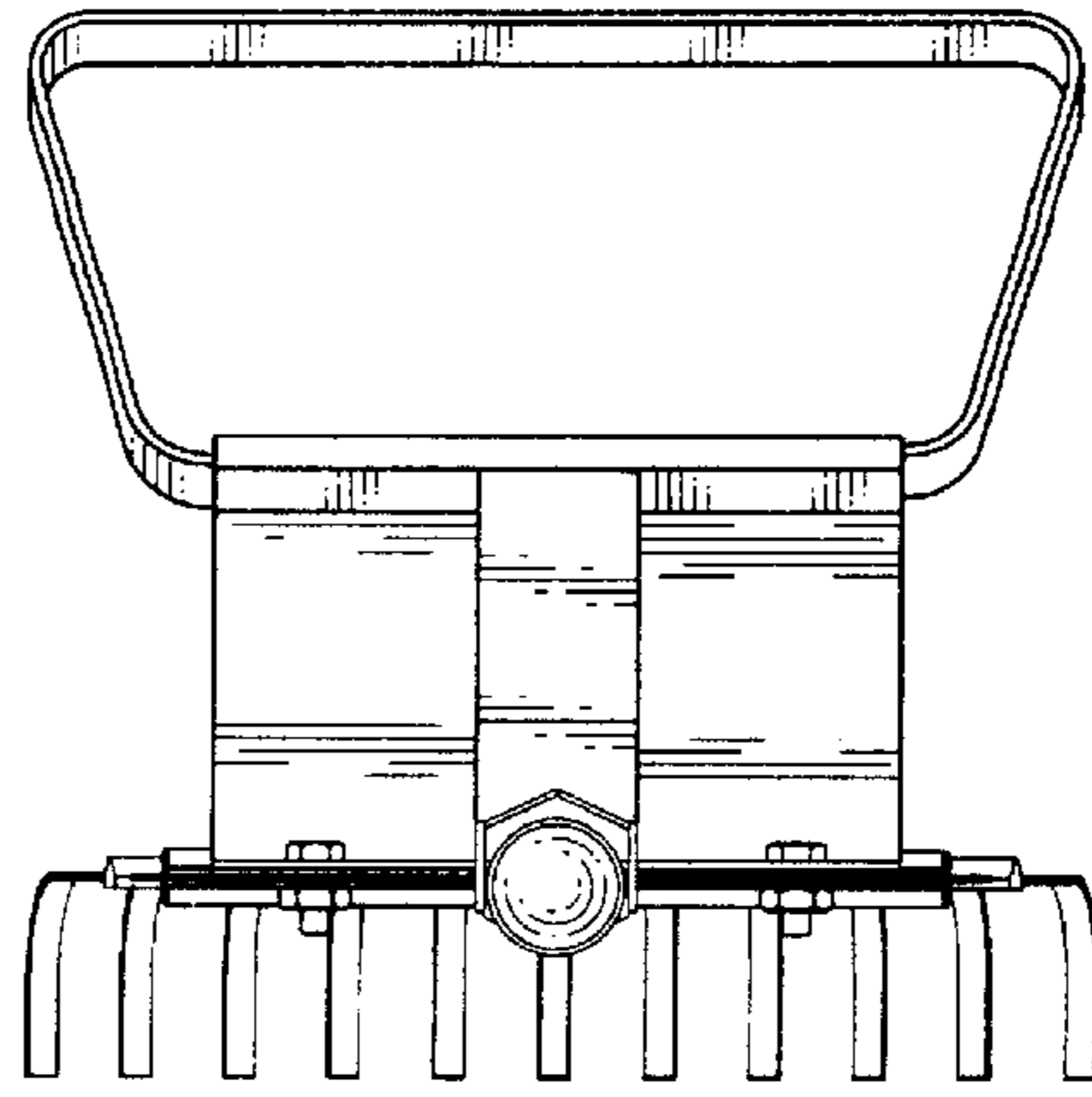
*Fig. 2*



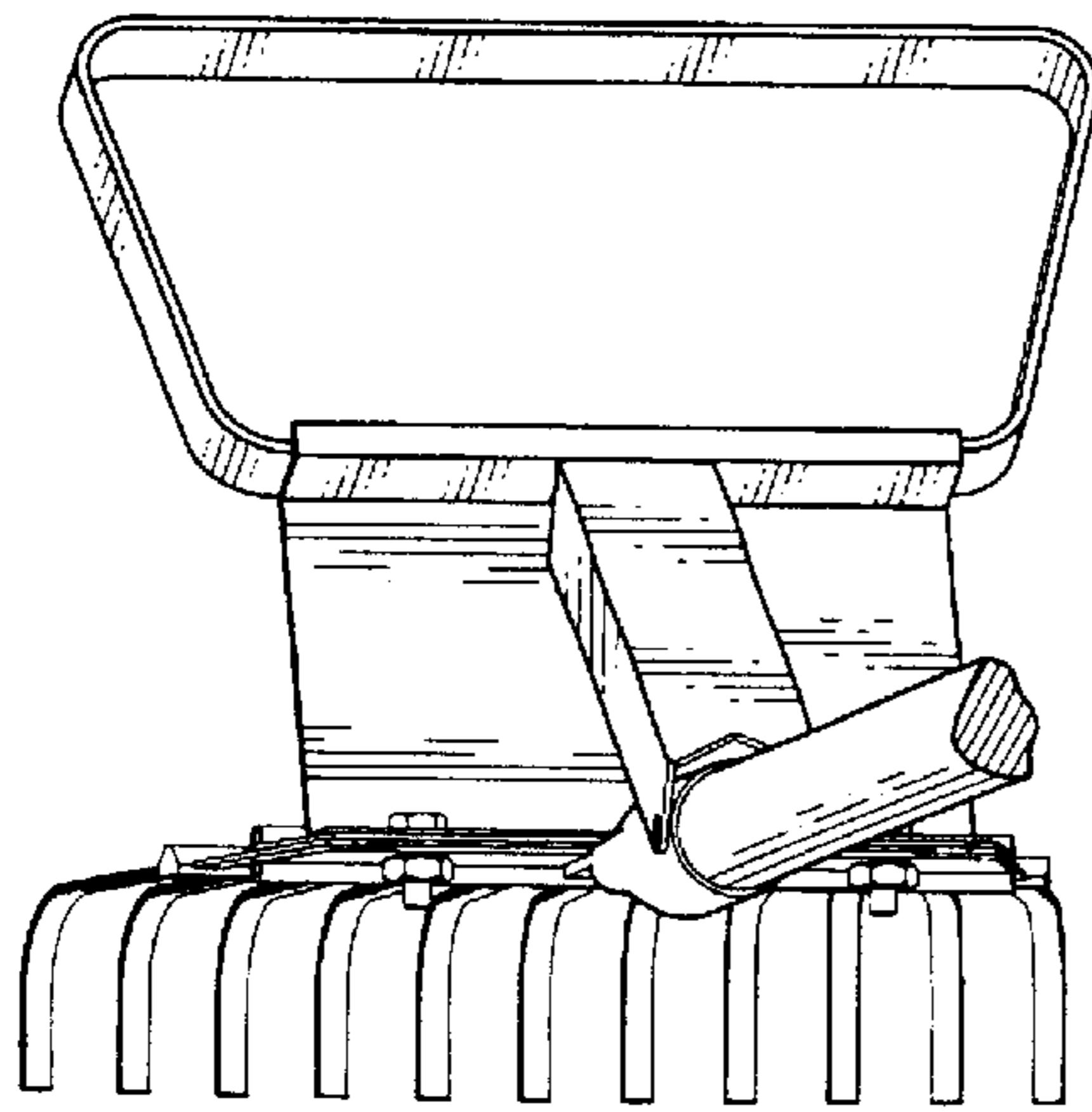
*Fig. 3*



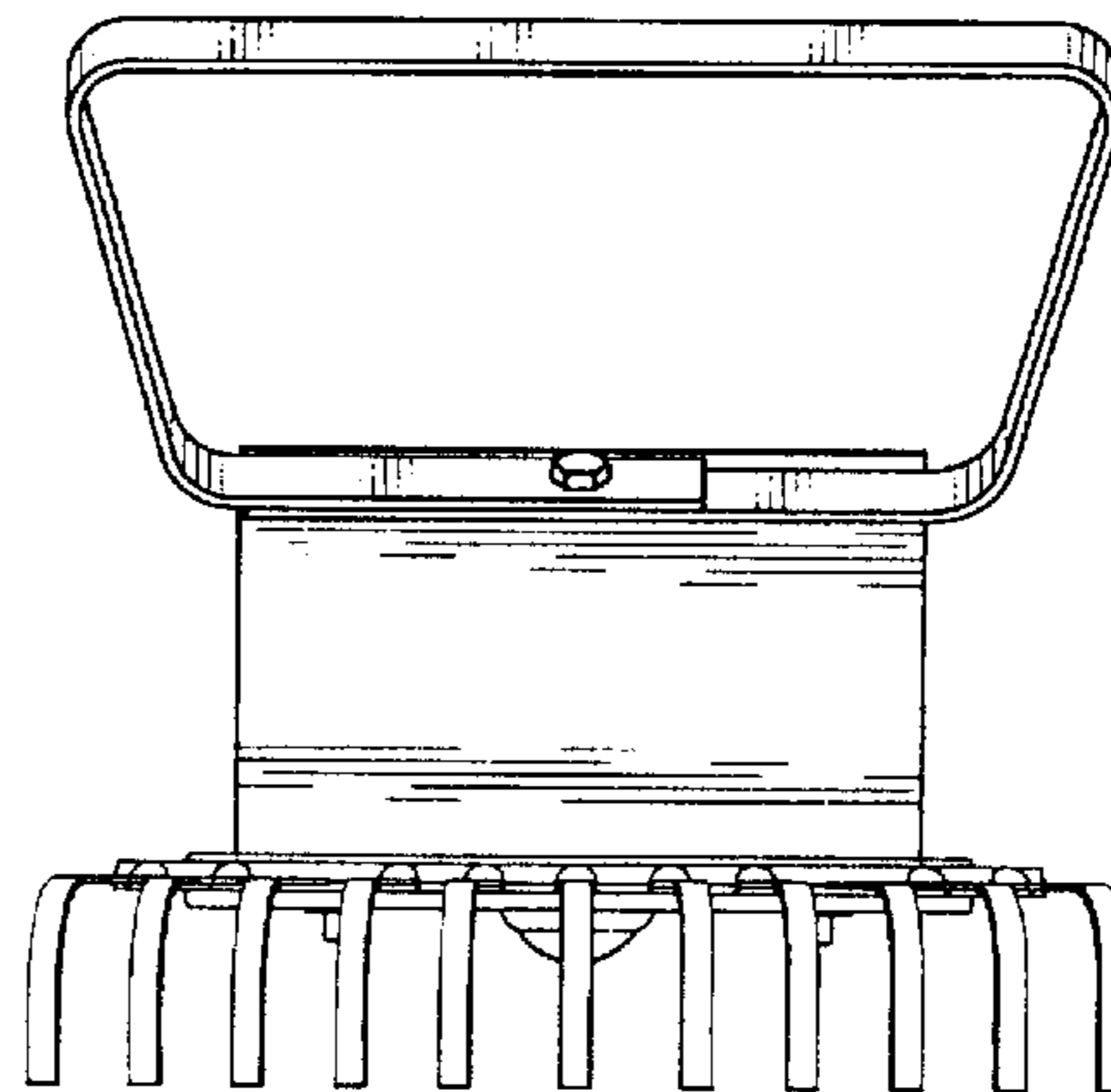
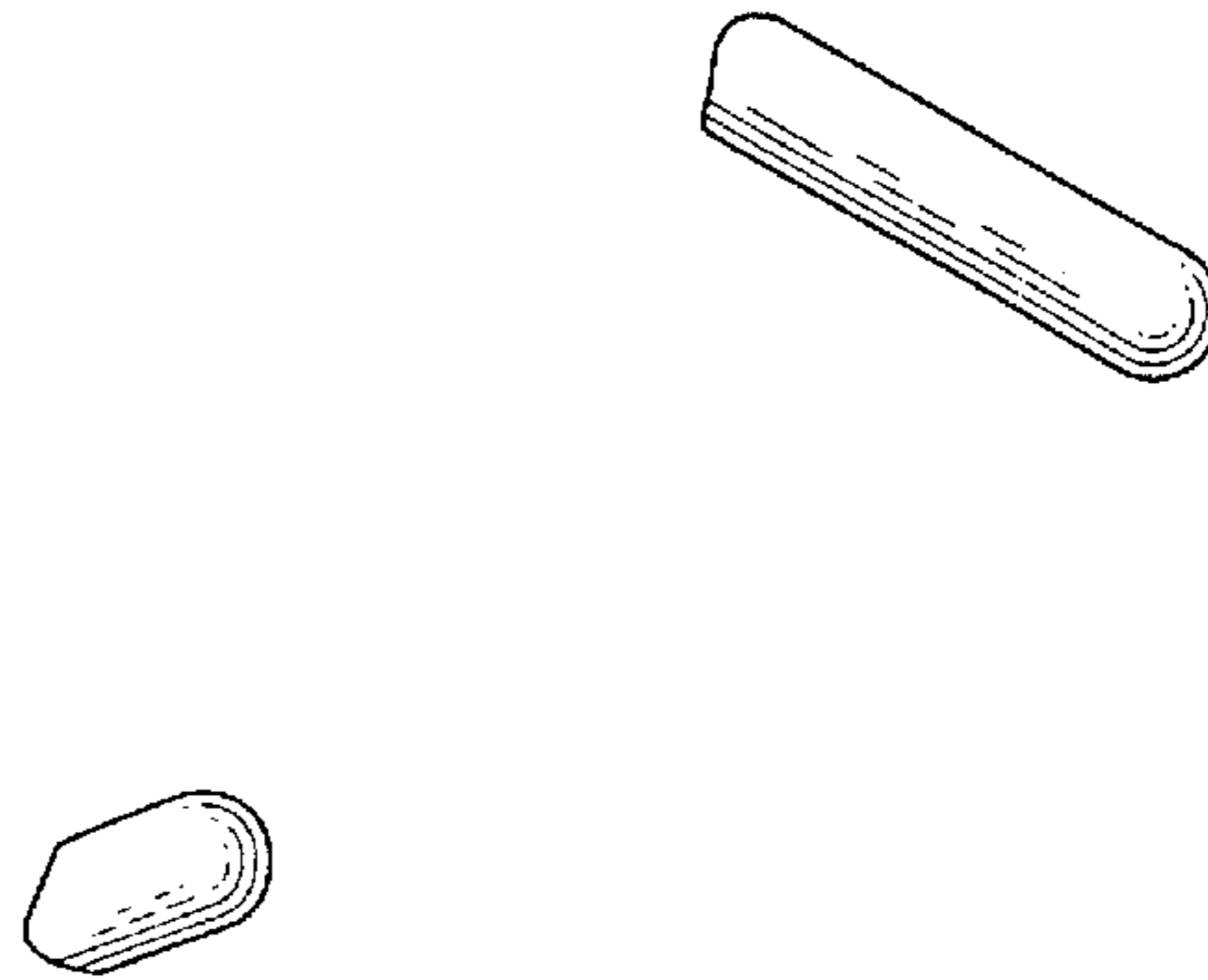
*Fig. 4*



*Fig. 5*



*Fig. 6*



*Fig. 7*

