

US00D507939S

(12) **United States Design Patent** (10) **Patent No.:** **US D507,939 S**  
**Mitchell, Jr.** (45) **Date of Patent:** **\*\* Aug. 2, 2005**

(54) **COMBINED FOOD CONTAINER AND COLANDER**

6,367,409 B1 4/2002 Broom

\* cited by examiner

(76) Inventor: **Billy Allen Mitchell, Jr.**, 103 Kandis Dr., Goldsboro, NC (US) 27530-7926

*Primary Examiner*—Terry A. Wallace

(\*\*) Term: **14 Years**

(57) **CLAIM**

The ornamental design for a combined food container and colander, as shown and described.

(21) Appl. No.: **29/200,310**

(22) Filed: **Feb. 26, 2004**

**DESCRIPTION**

(51) **LOC (8) Cl.** ..... **07-01**

FIG. 1 is a front elevational view of a food container and colander showing my new design, the rear elevational view being the same thereas;

(52) **U.S. Cl.** ..... **D7/629; D7/667**

FIG. 2 is a side view, taken from the left side of FIG. 1, the right side view being the same thereas;

(58) **Field of Search** ..... D7/629, 602, 667, D7/538-542; 220/675, 662, 574-575, 780-799; 210/470, 473-483

FIG. 3 is a top plan view thereof;

FIG. 4 is a bottom plan view thereof;

(56) **References Cited**

**U.S. PATENT DOCUMENTS**

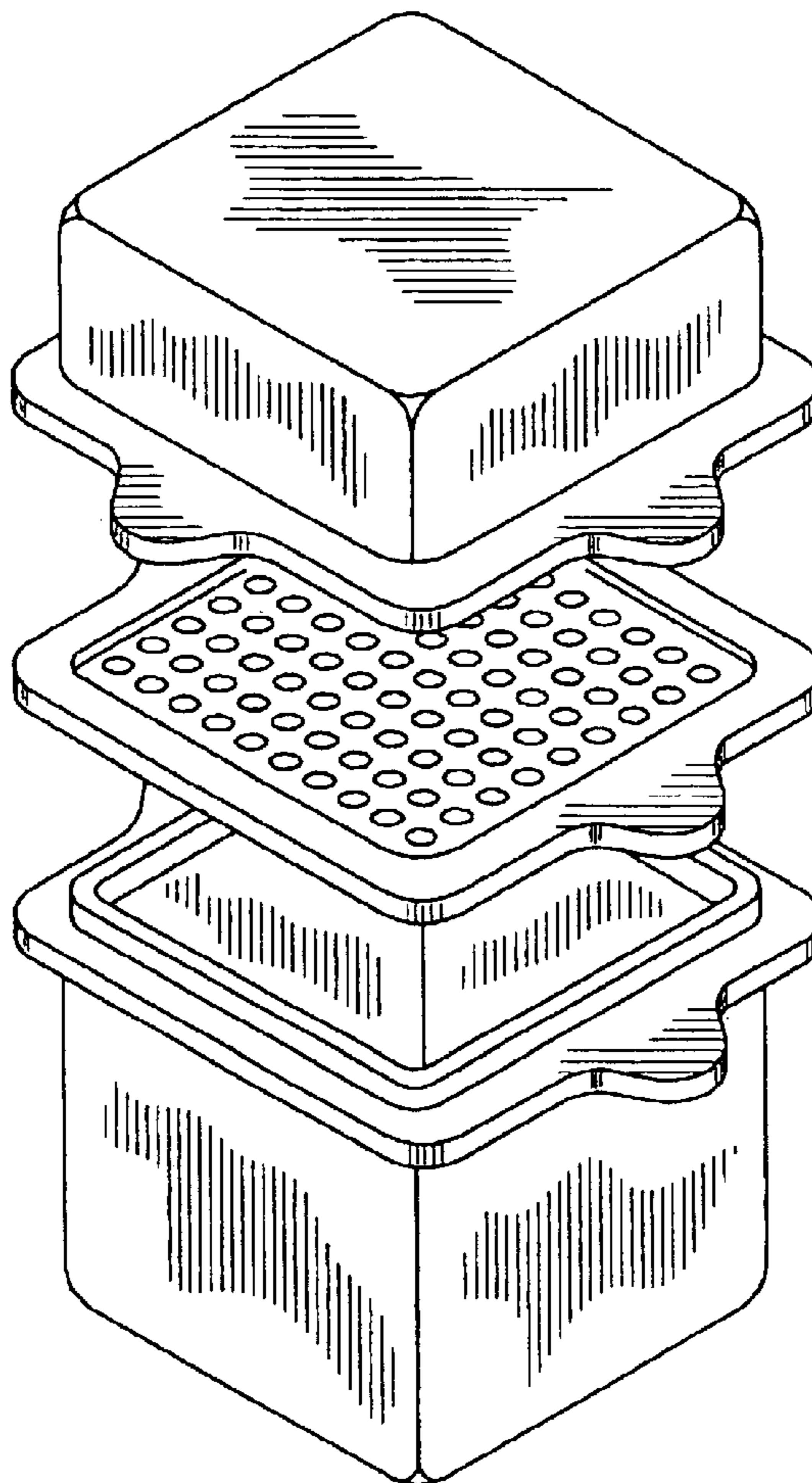
2,965,430 A	*	12/1960	Garner	.....	312/284
4,854,476 A		8/1989	Serio, Jr.		
5,358,330 A		10/1994	Moll		
D353,303 S		12/1994	Davis		
D378,724 S	*	4/1997	Young et al.	.....	D7/657
5,871,116 A		2/1999	Picchietti		
RE36,554 E		2/2000	Chedville		

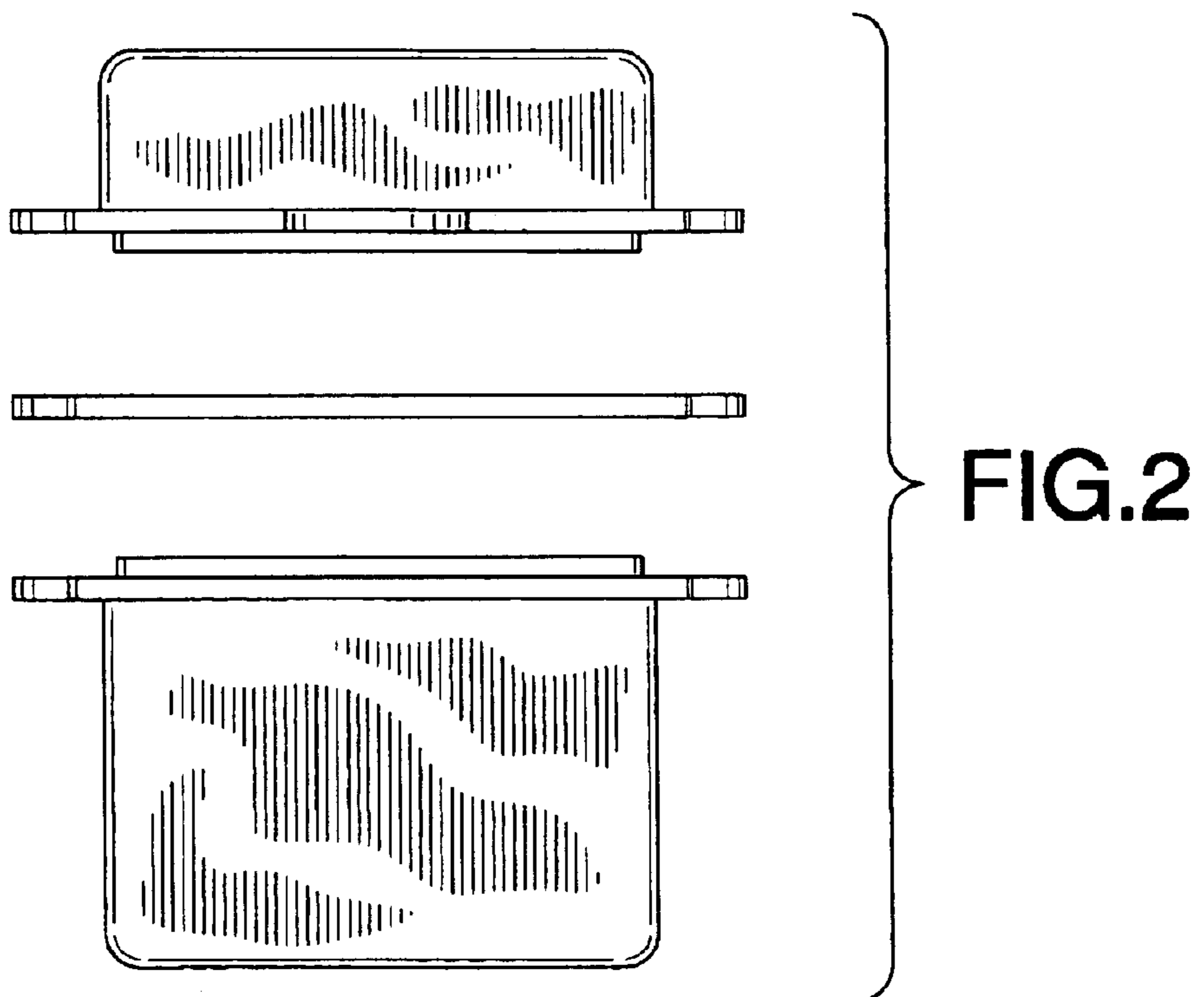
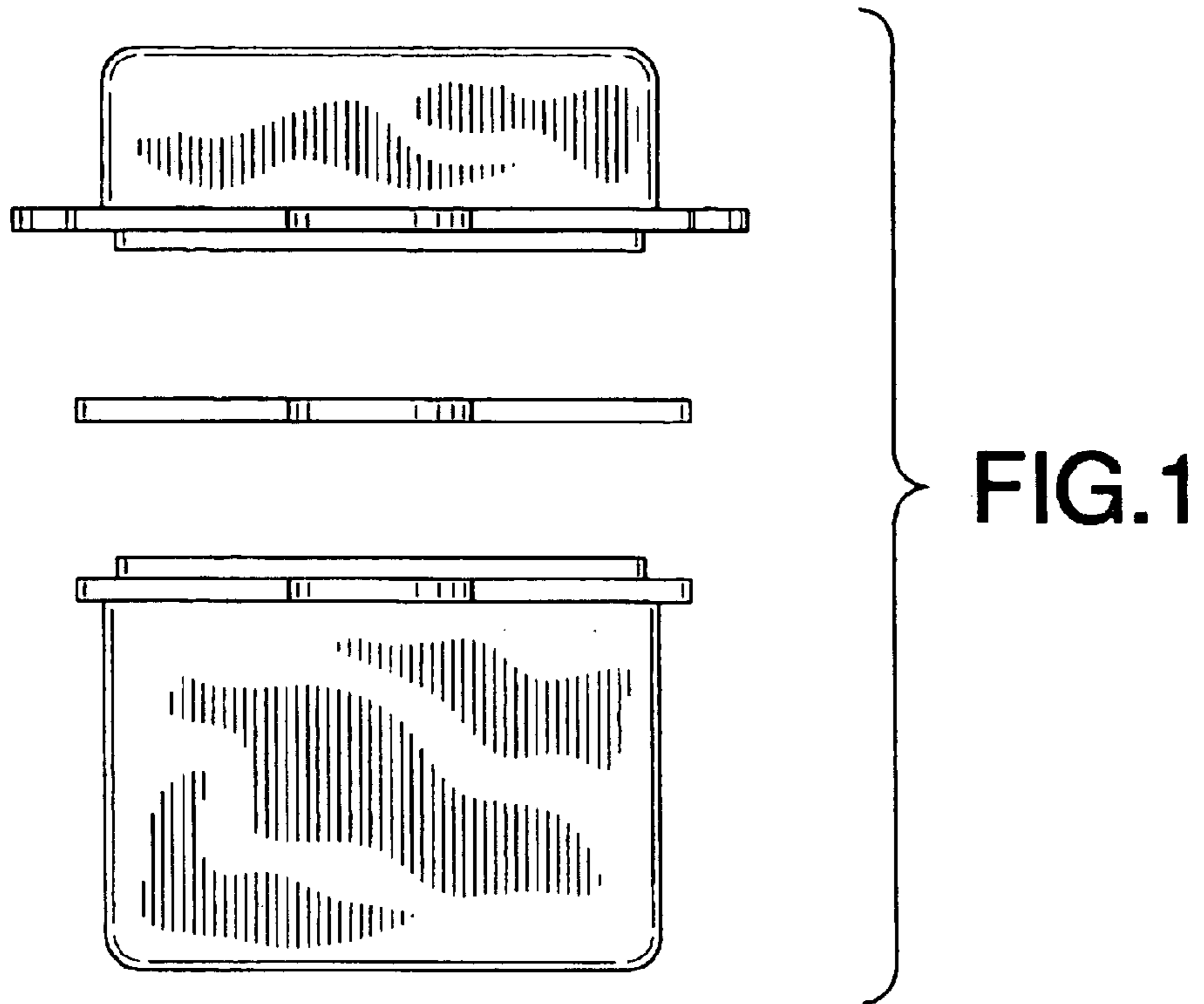
FIG. 5 is a top plan view of the kit of colanders included in my design, the bottom plan view being a mirror image thereof; and,

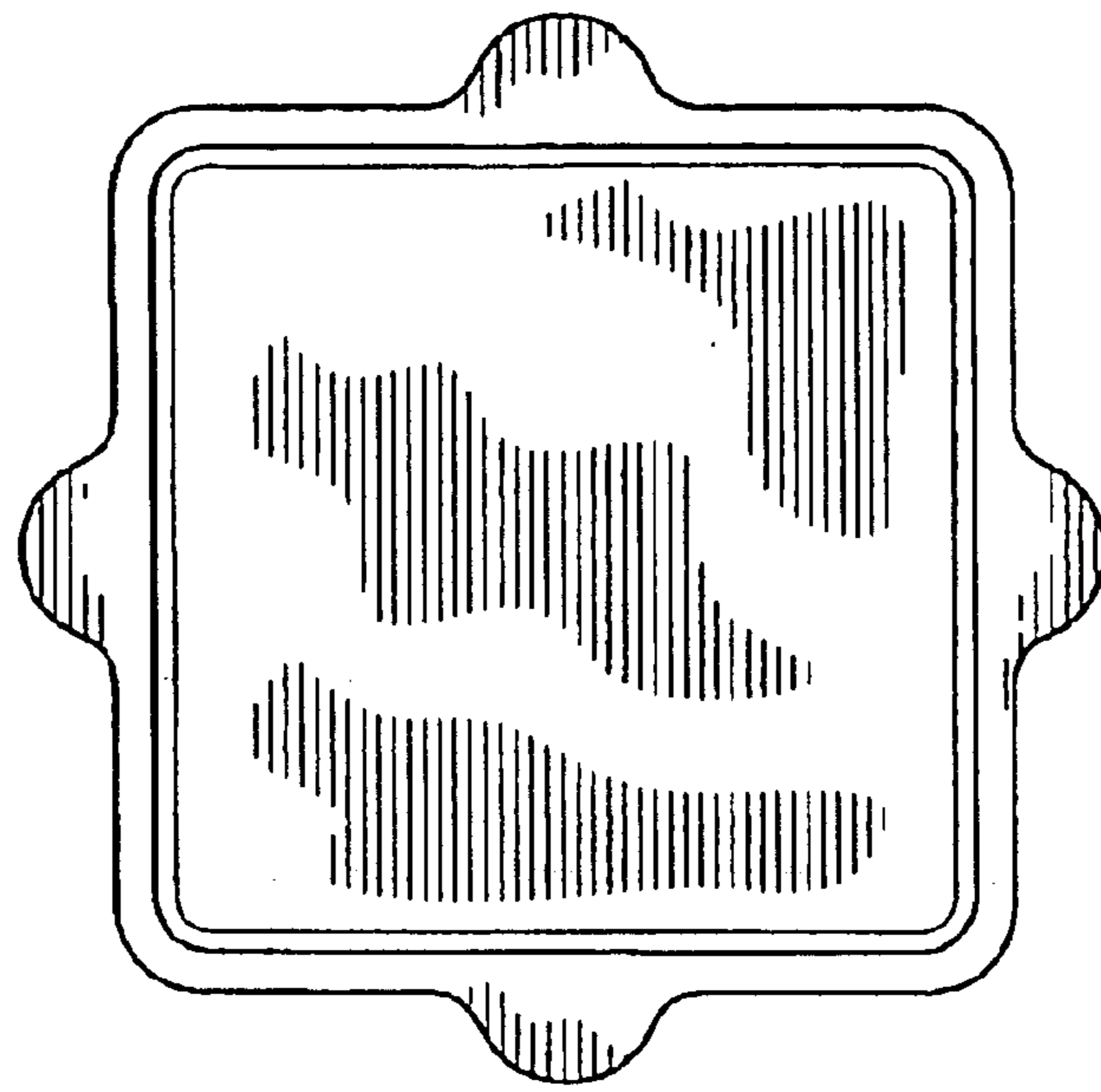
FIG. 6 is a perspective view of my design, showing a single colander in a ready-to-assemble position.

The colanders in FIG. 5 are shown separately for clarity of illustration.

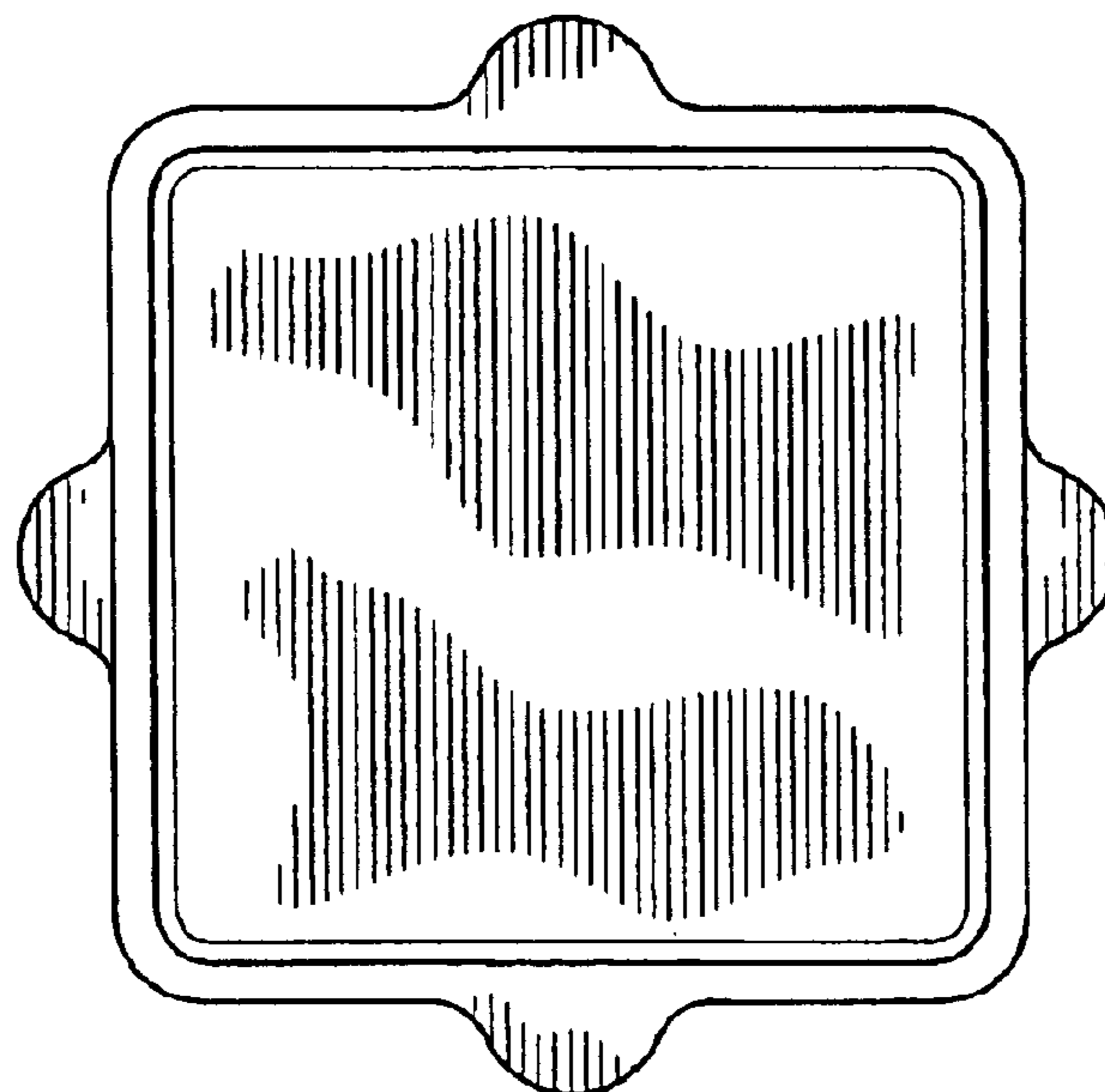
**1 Claim, 4 Drawing Sheets**







**FIG.3**



**FIG.4**

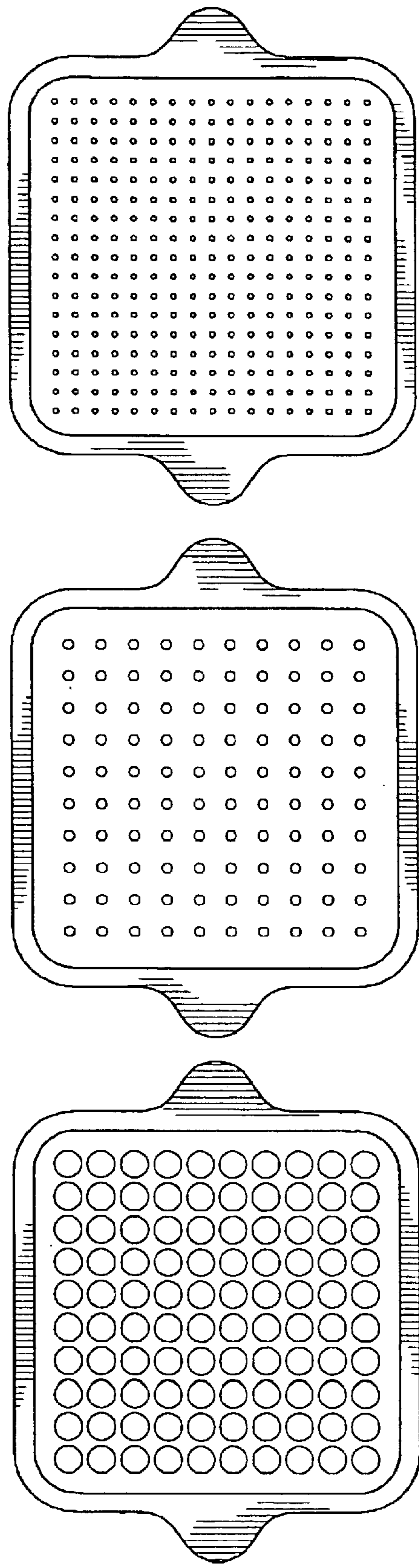
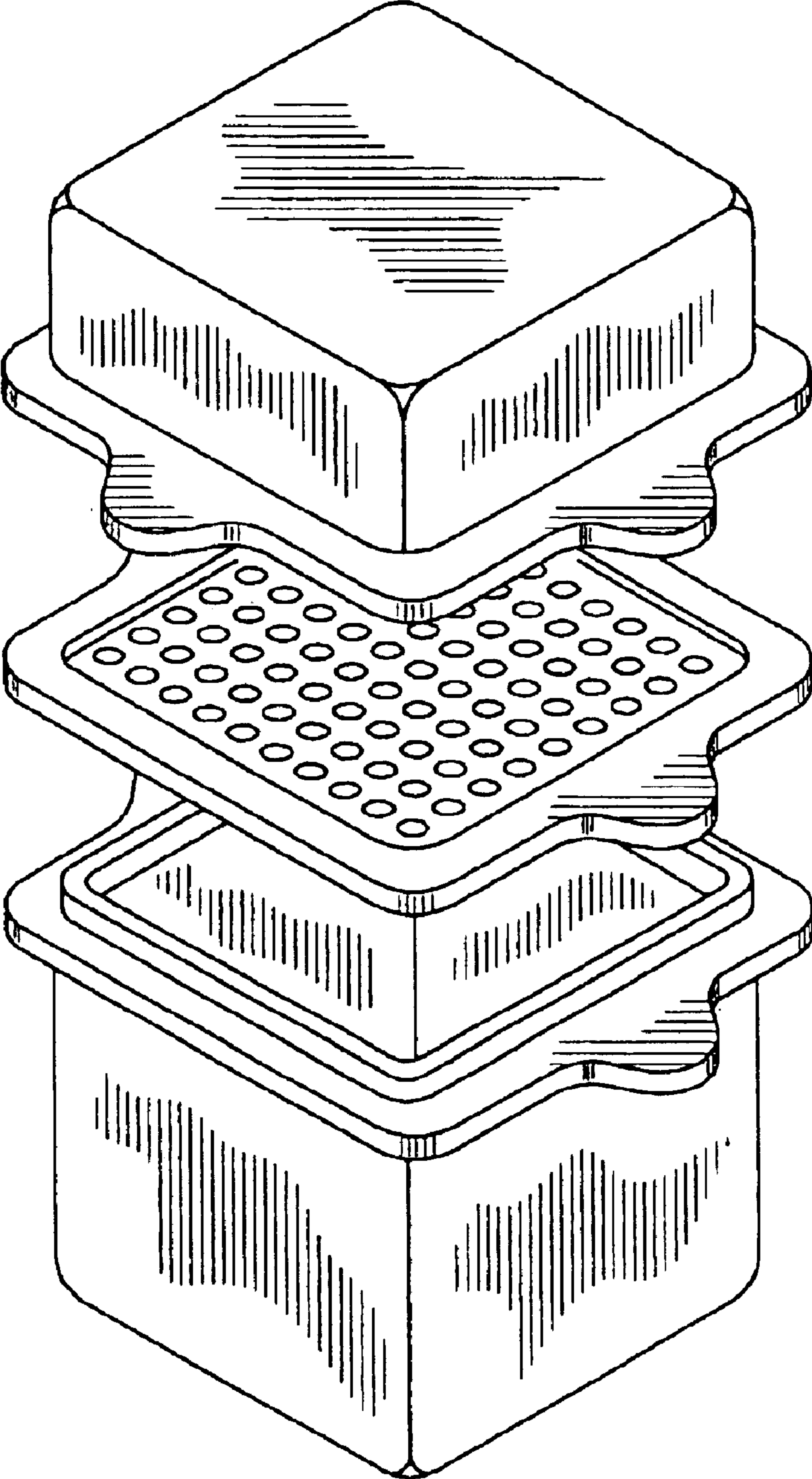


FIG.5



**FIG.6**