



US00D507938S

(12) **United States Design Patent**  
**Lutzker**

(10) **Patent No.:** **US D507,938 S**

(45) **Date of Patent:** **\*\* Aug. 2, 2005**

(54) **BEVERAGE CONTAINER STAND**

(76) **Inventor:** **Robert S. Lutzker**, 10 Woodstone Ct.,  
So. Huntington, NY (US) 11746

(\*\*) **Term:** **14 Years**

(21) **Appl. No.:** **29/137,419**

(22) **Filed:** **Feb. 21, 2002**

(51) **LOC (8) Cl.** ..... **07-01**

(52) **U.S. Cl.** ..... **D7/619.1**

(58) **Field of Search** ..... D7/619.1-625,  
D7/601, 387; 248/346.11; 215/394-396;  
220/737

(56) **References Cited**

**U.S. PATENT DOCUMENTS**

D317,697 S \* 6/1991 Lage ..... D7/624.1  
5,307,250 A \* 4/1994 Pearson ..... 248/346.11

\* cited by examiner

*Primary Examiner*—Terry A. Wallace

(74) *Attorney, Agent, or Firm*—Thomas A. O'Rourke;  
Bodner & O'Rourke

(57) **CLAIM**

The ornamental design for a beverage container stand, as shown and described.

**DESCRIPTION**

FIG. 1 is a side view of the beverage container stand of the present invention;

FIG. 2 is a top view of the beverage container stand of FIG. 1;

FIG. 3 is a perspective view of the beverage container stand illustrated in FIG. 1.

FIG. 4 is a side view of an alternative embodiment of the beverage container stand of the present invention.

FIG. 5 is a top view of the beverage container stand of FIG. 4.

FIG. 6 is a perspective view of the beverage container stand of FIG. 5; and,

FIG. 7 is a bottom view of the beverage container stand of FIGS. 1 and 4.

**1 Claim, 4 Drawing Sheets**

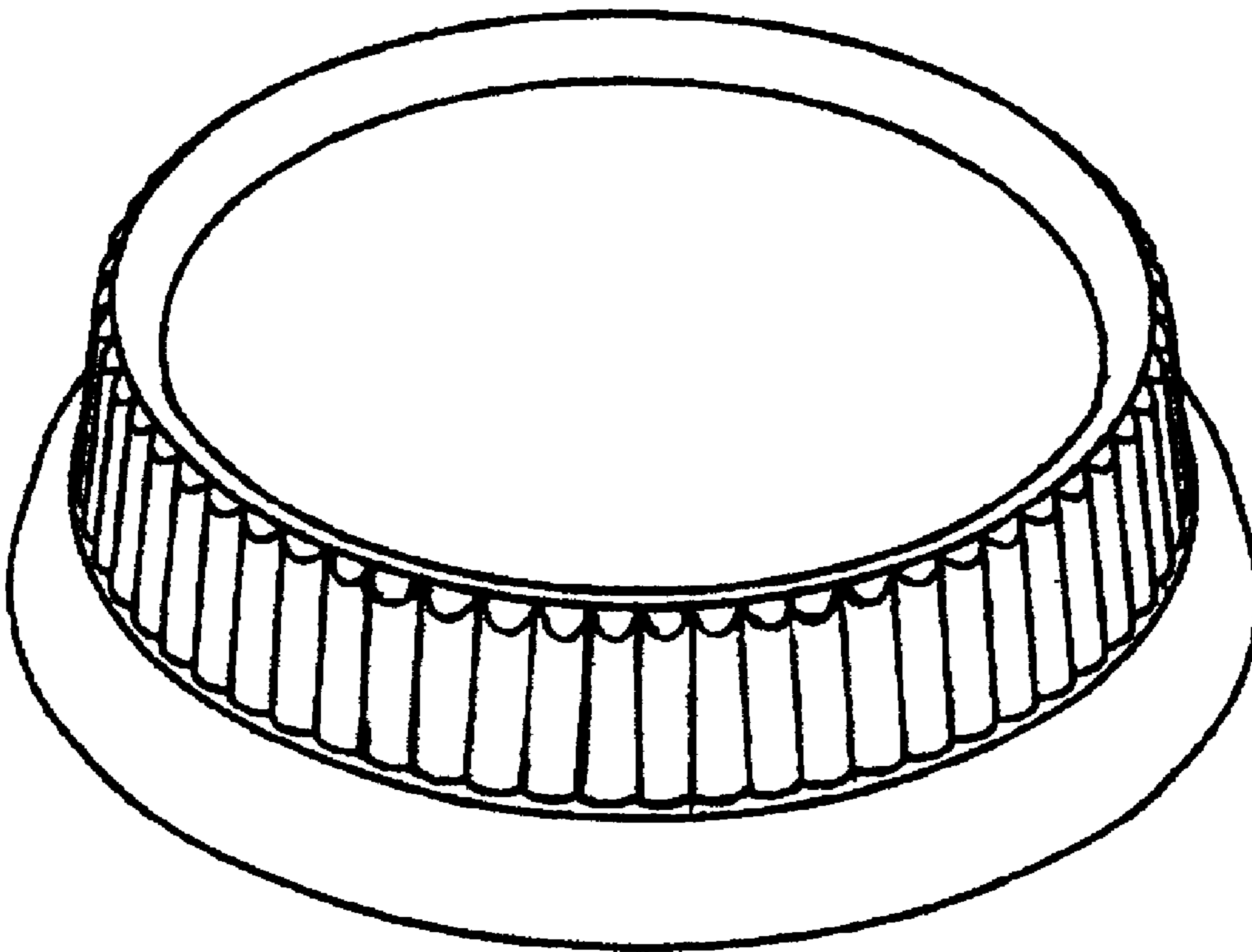


Figure 1

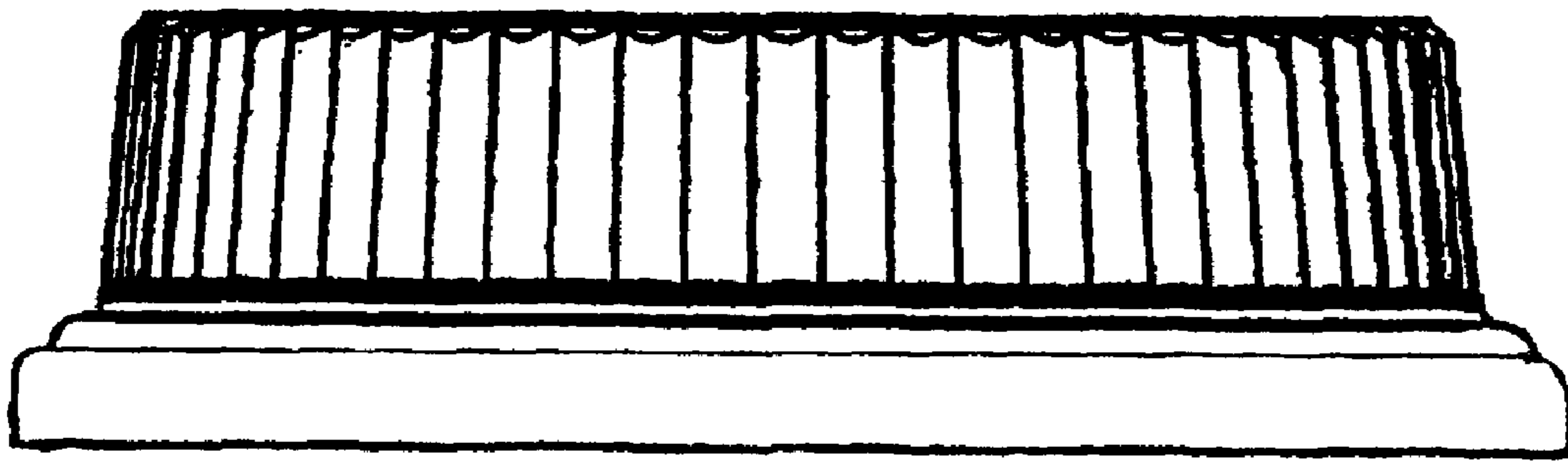


Figure 4

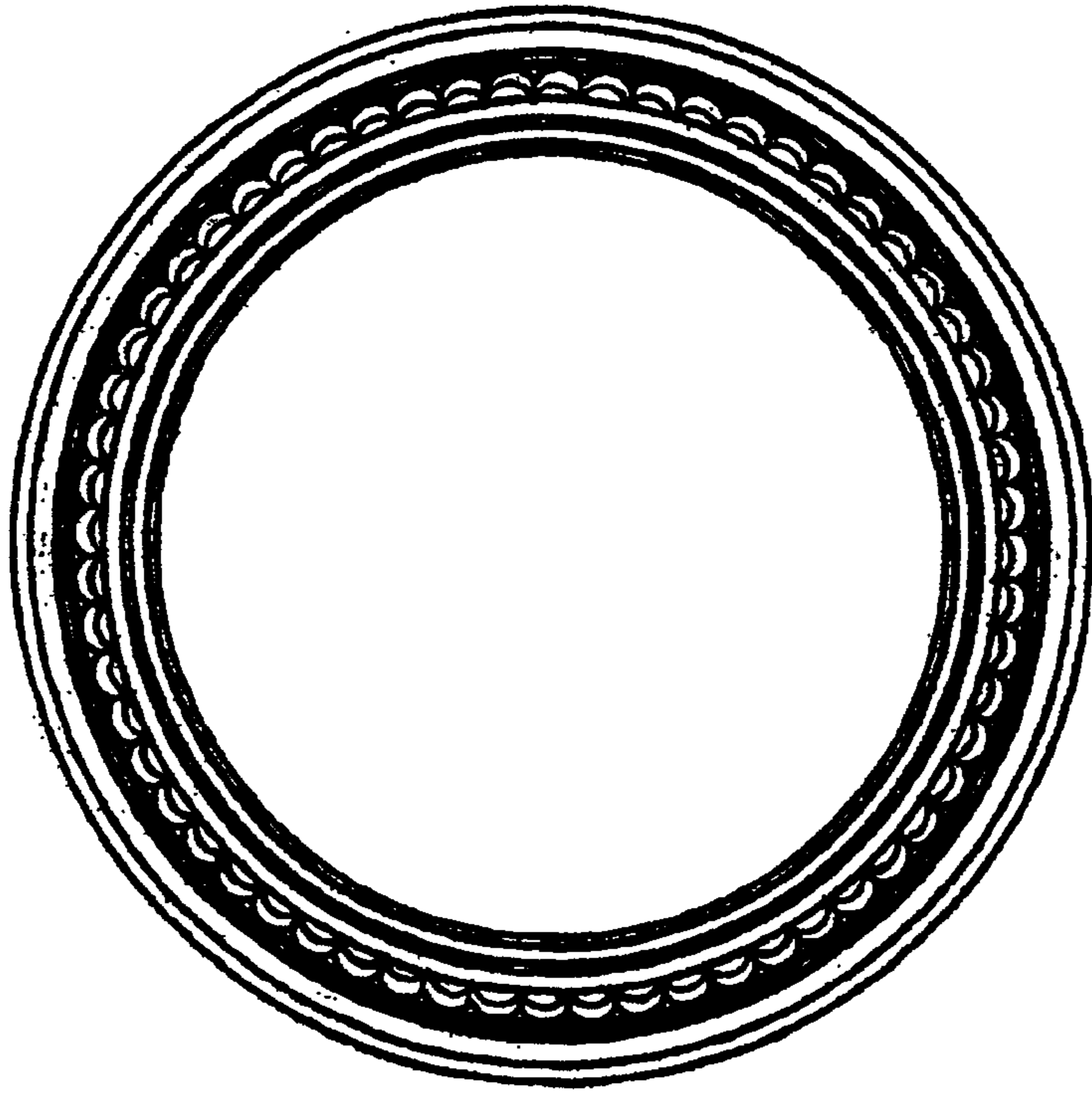


Figure 5

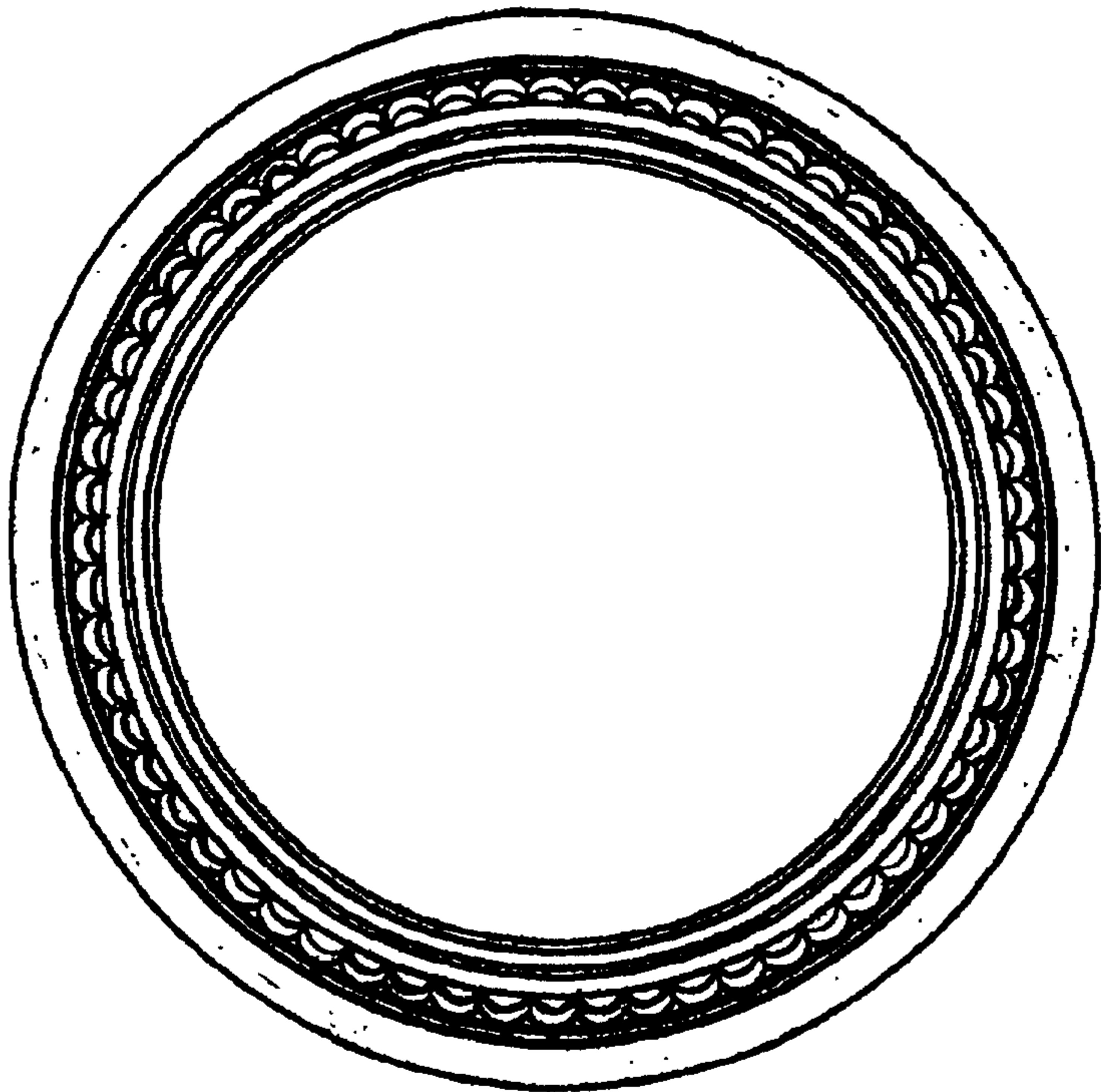


Figure 2

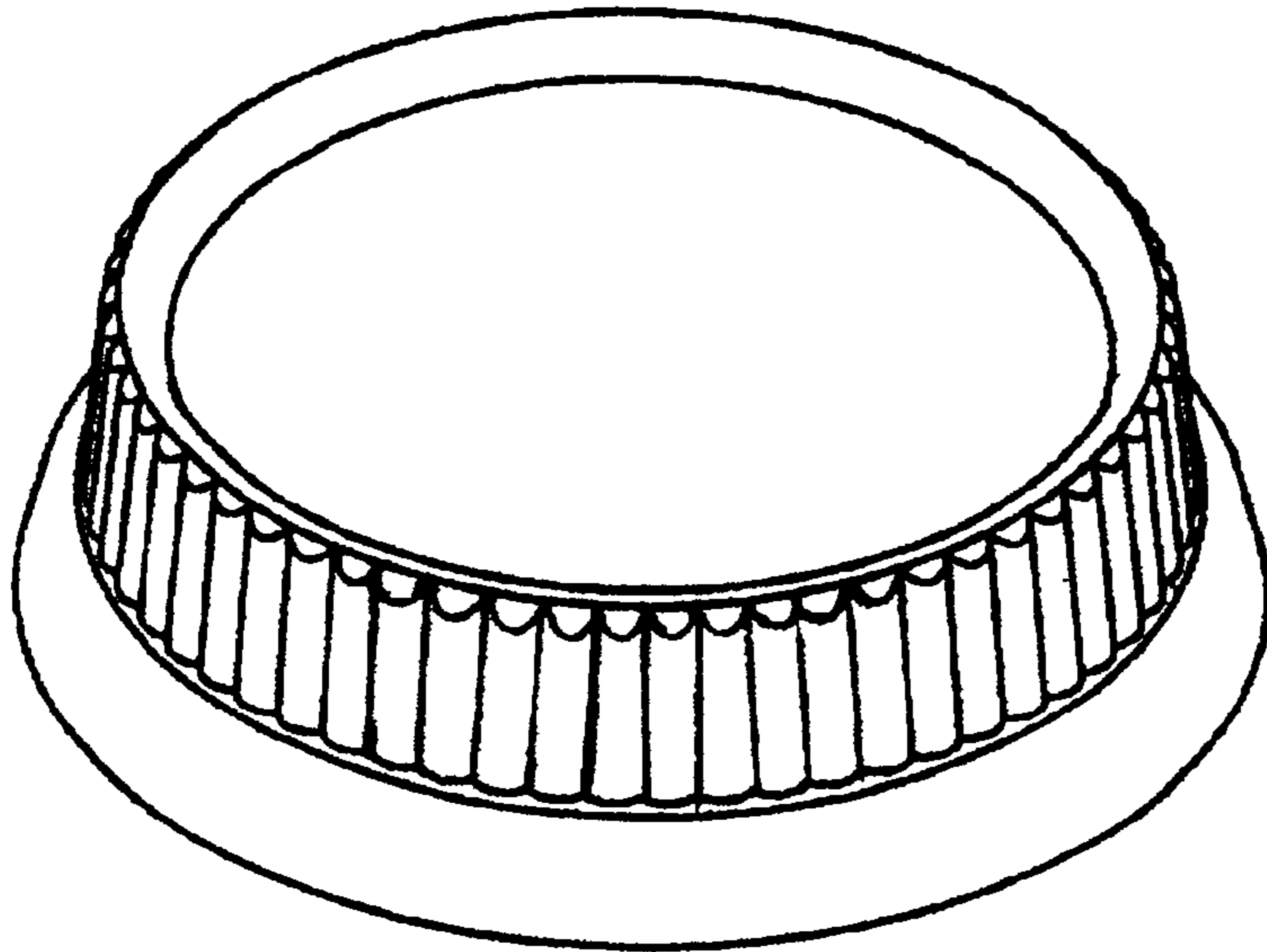


Figure 3

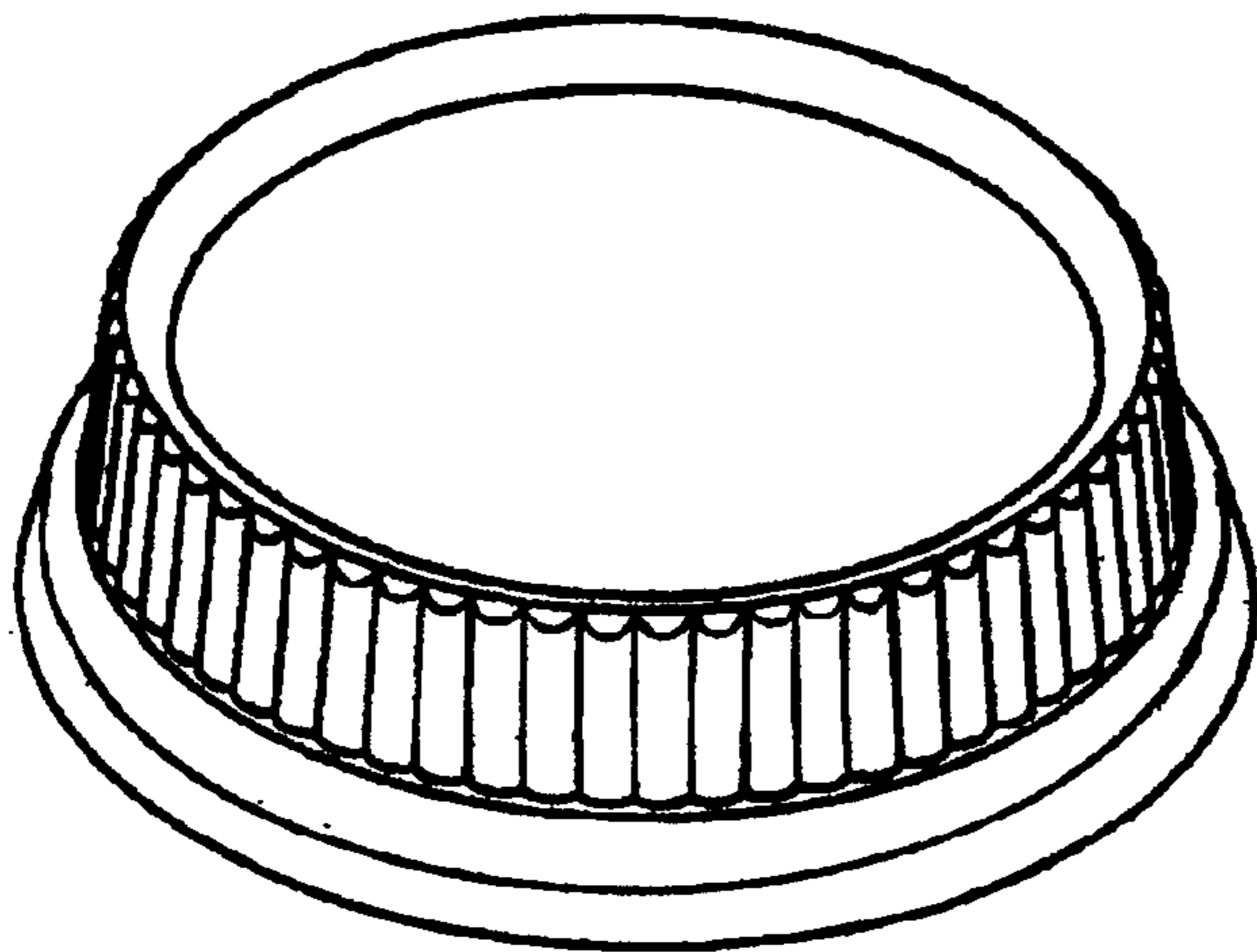


Figure 6

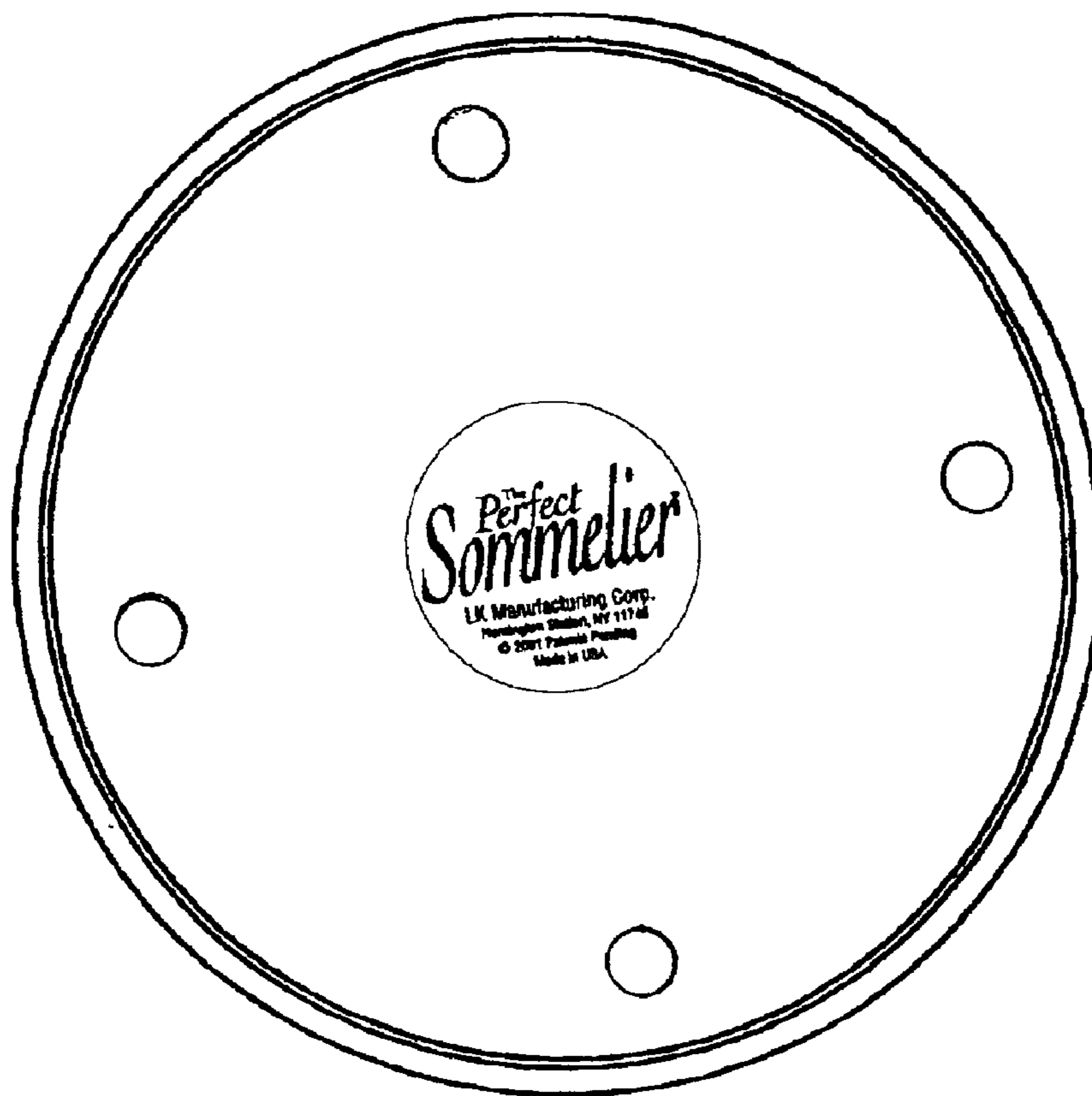


Figure 7