

US00D507933S

(12) **United States Design Patent** (10) **Patent No.:** **US D507,933 S**  
**Carmichael** (45) **Date of Patent:** **\*\* Aug. 2, 2005**

(54) **CUP, SERVING TRAY AND REMOVABLE HANDLE COMBINATION**

(76) Inventor: **Fred A. Carmichael**, 916 A St., Eureka, CA (US) 95501

(\*\*) Term: **14 Years**

(21) Appl. No.: **29/208,772**

(22) Filed: **Jul. 6, 2004**

(51) **LOC (8) Cl.** ..... **07-01**

(52) **U.S. Cl.** ..... **D7/505; D7/507; D7/558; D7/536**

(58) **Field of Search** ..... D7/554.2, 536, D7/558, 507, 505, 500, 555, 553.4, 549, 553.3, 501, 553.6, 546, 552.1, 533, 511, 560; 220/23.83, 23.86, 575, 560, 574, 710.5; D6/509; 206/557, 562, 519; 294/172

D386,946 S \* 12/1997 Novalle ..... D7/507  
D392,156 S 3/1998 Michael  
5,727,678 A 3/1998 Chen  
5,853,104 A 12/1998 Rathjen  
D421,549 S \* 3/2000 Hints ..... D7/555  
D426,110 S 6/2000 Schmidt  
6,145,906 A 11/2000 Wright et al.  
D443,476 S \* 6/2001 Miura ..... D7/507  
D445,646 S \* 7/2001 Indekeu ..... D7/536  
D448,622 S 10/2001 Horvat  
D457,785 S \* 5/2002 Johnson ..... D7/558  
D464,234 S \* 10/2002 Miller ..... D7/536  
6,491,179 B2 \* 12/2002 Dokun ..... 220/560  
D468,966 S \* 1/2003 Shareef ..... D7/506  
D482,572 S \* 11/2003 Mountain ..... D7/536  
D485,730 S \* 1/2004 Thun ..... D7/511  
D488,028 S \* 4/2004 Janky et al. .... D7/536

\* cited by examiner

Primary Examiner—M. N. Pandozzi

(56) **References Cited**

**U.S. PATENT DOCUMENTS**

1,862,533 A \* 6/1932 Fish, Jr. .... 215/394  
2,107,381 A \* 2/1938 Leppke ..... 220/23.83  
D150,666 S 8/1948 Zachary  
D216,215 S \* 12/1969 Swett et al. .... D7/505  
D226,446 S \* 3/1973 Wilton ..... D7/507  
D234,997 S \* 4/1975 Stampley ..... D7/507  
4,461,396 A 7/1984 Harper  
D291,635 S \* 9/1987 Dickman ..... D6/509  
4,744,597 A 5/1988 Bauman et al.  
D303,194 S \* 9/1989 Darby et al. .... D7/507  
4,938,373 A \* 7/1990 McKee ..... 220/23.86  
4,966,297 A 10/1990 Doty  
5,234,125 A 8/1993 Roberts  
D353,518 S \* 12/1994 Cautereels et al. .... D7/560  
5,390,798 A 2/1995 Yanuzzi  
5,419,455 A \* 5/1995 Russeau ..... 220/575  
5,678,694 A 10/1997 Tanaka et al.

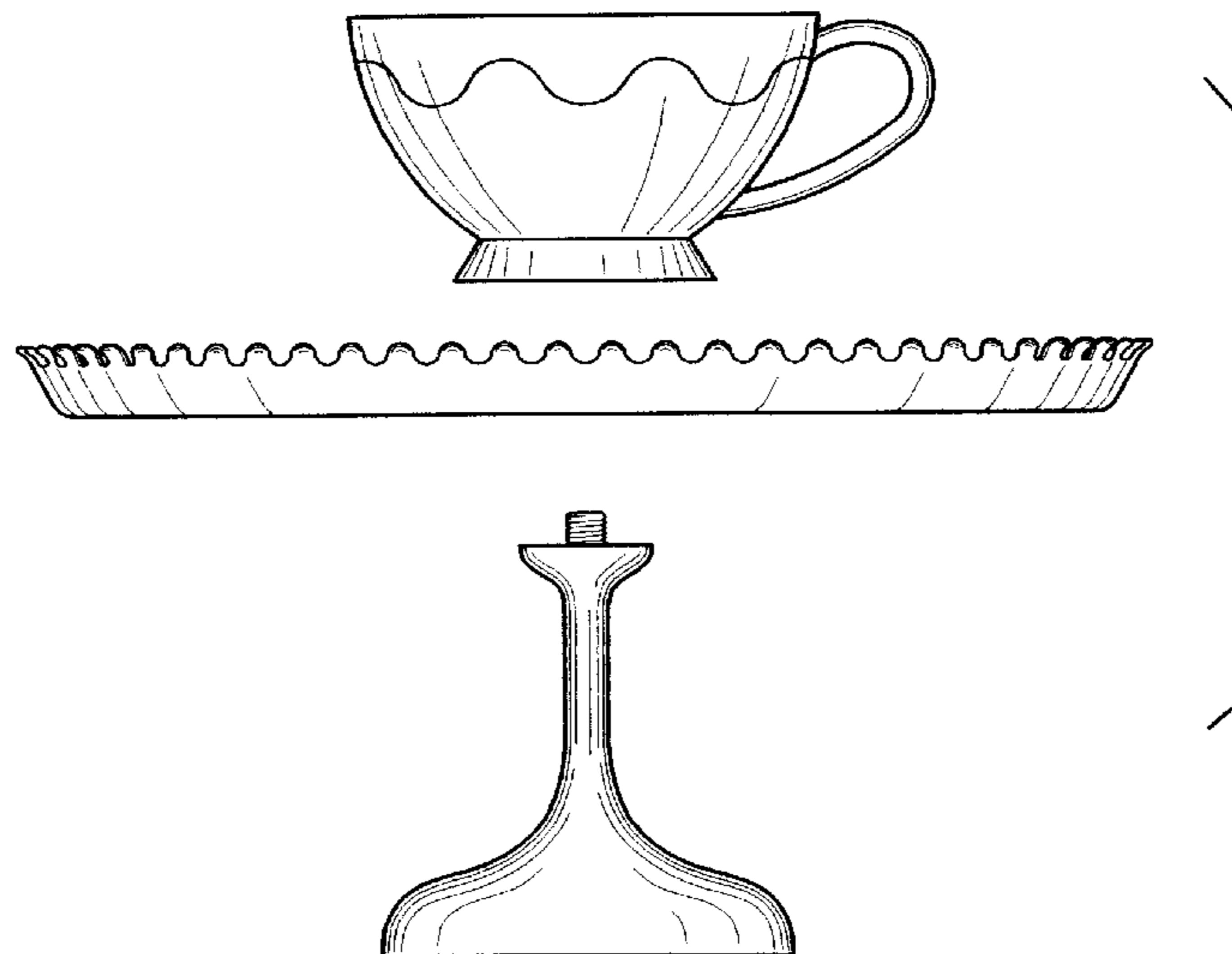
(57) **CLAIM**

The ornamental design for a cup, serving tray and removable handle combination, as shown and described.

**DESCRIPTION**

FIG. 1 is a front elevated view of a cup, serving tray and removable handle combination showing my new design;  
FIG. 2 is a right side elevated view of the cup, serving tray and removable handle combination;  
FIG. 3 is a left side elevated view of the cup, serving tray and removable handle combination;  
FIG. 4 is a top plan view of the cup, serving tray and removable handle combination;  
FIG. 5 is a bottom plan view of the cup, serving tray and removable handle combination; and,  
FIG. 6 is a perspective view of the cup, serving tray and removable handle combination.

**1 Claim, 5 Drawing Sheets**



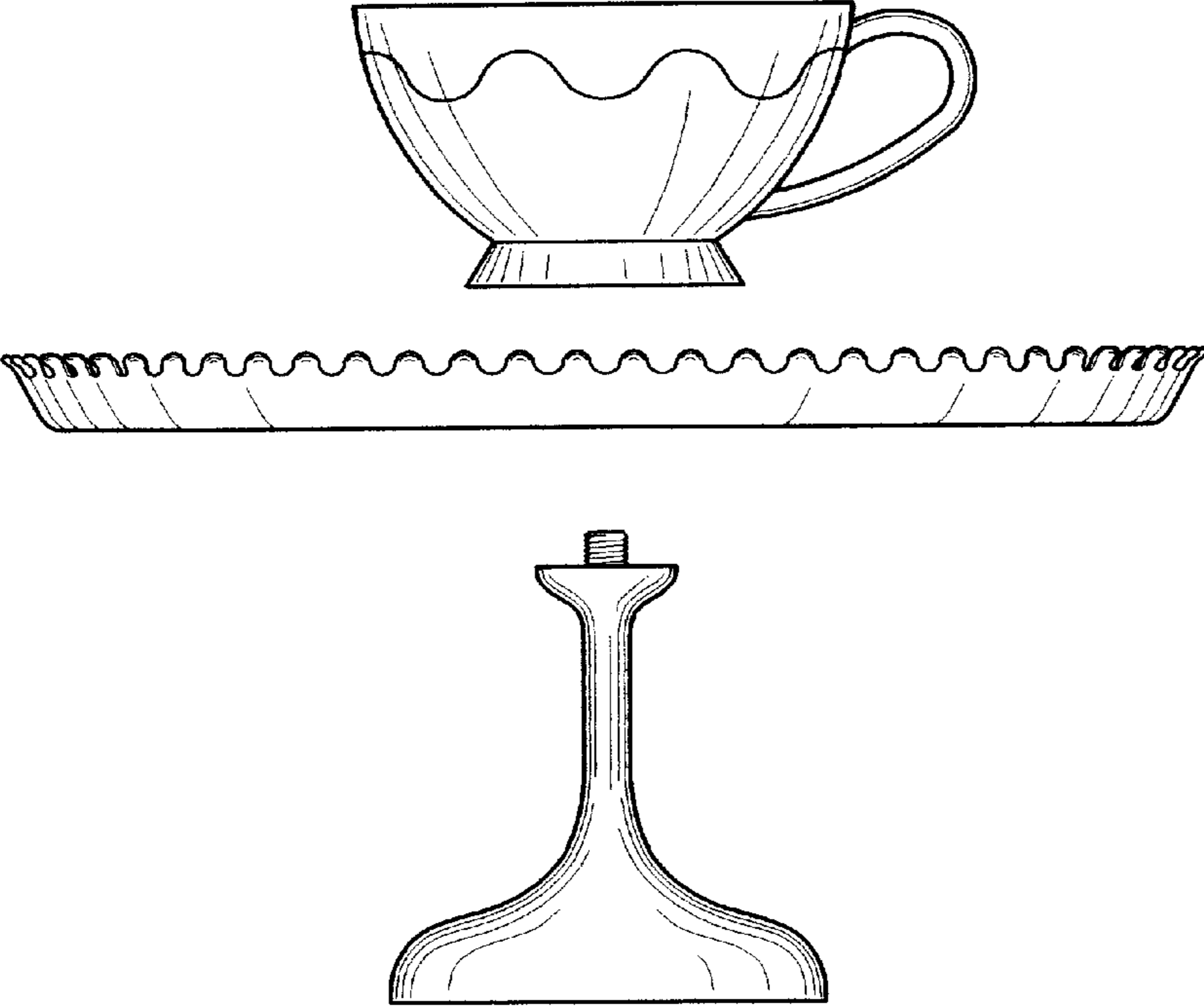


FIG. 1

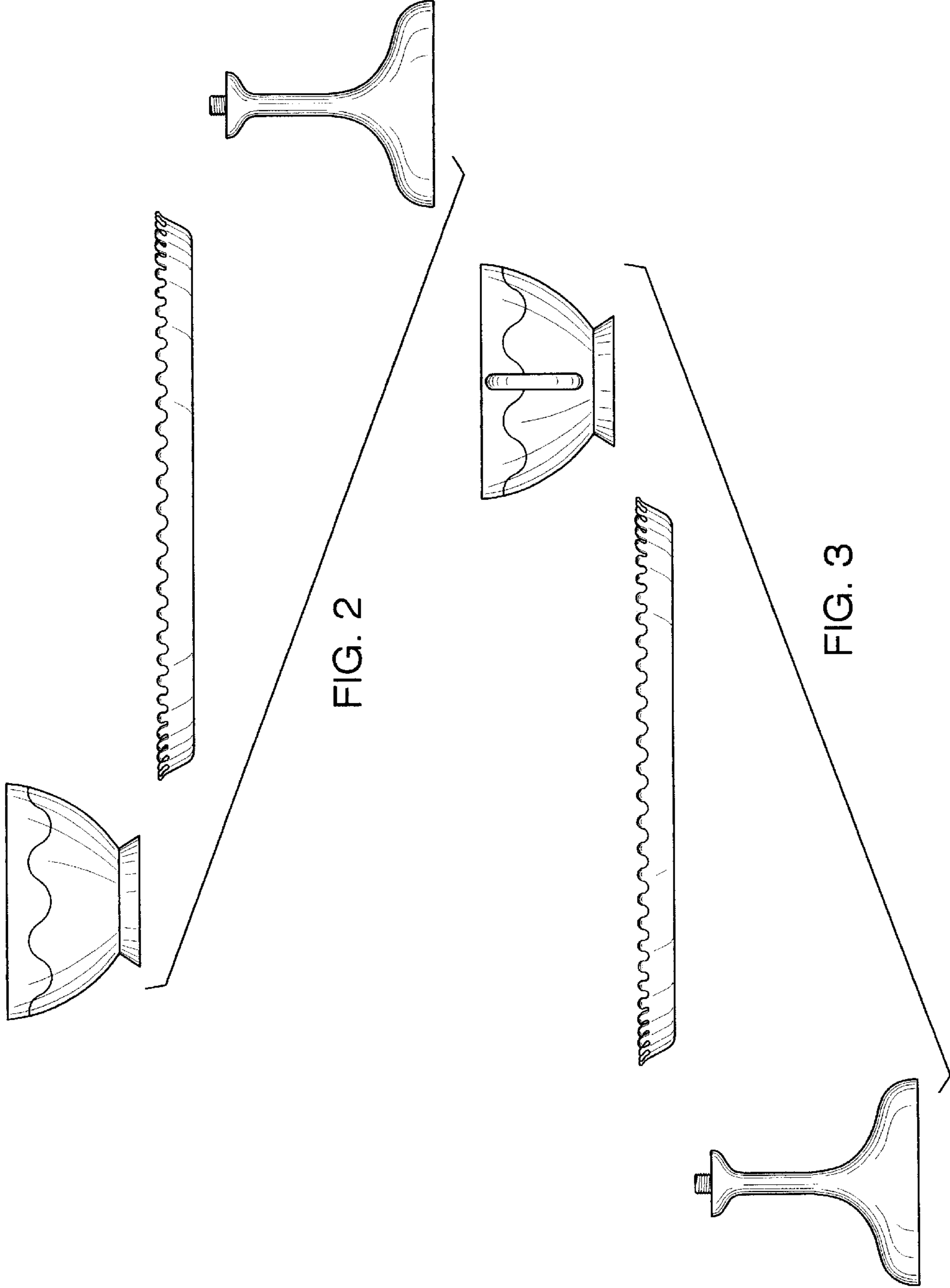


FIG. 2

FIG. 3

FIG. 4

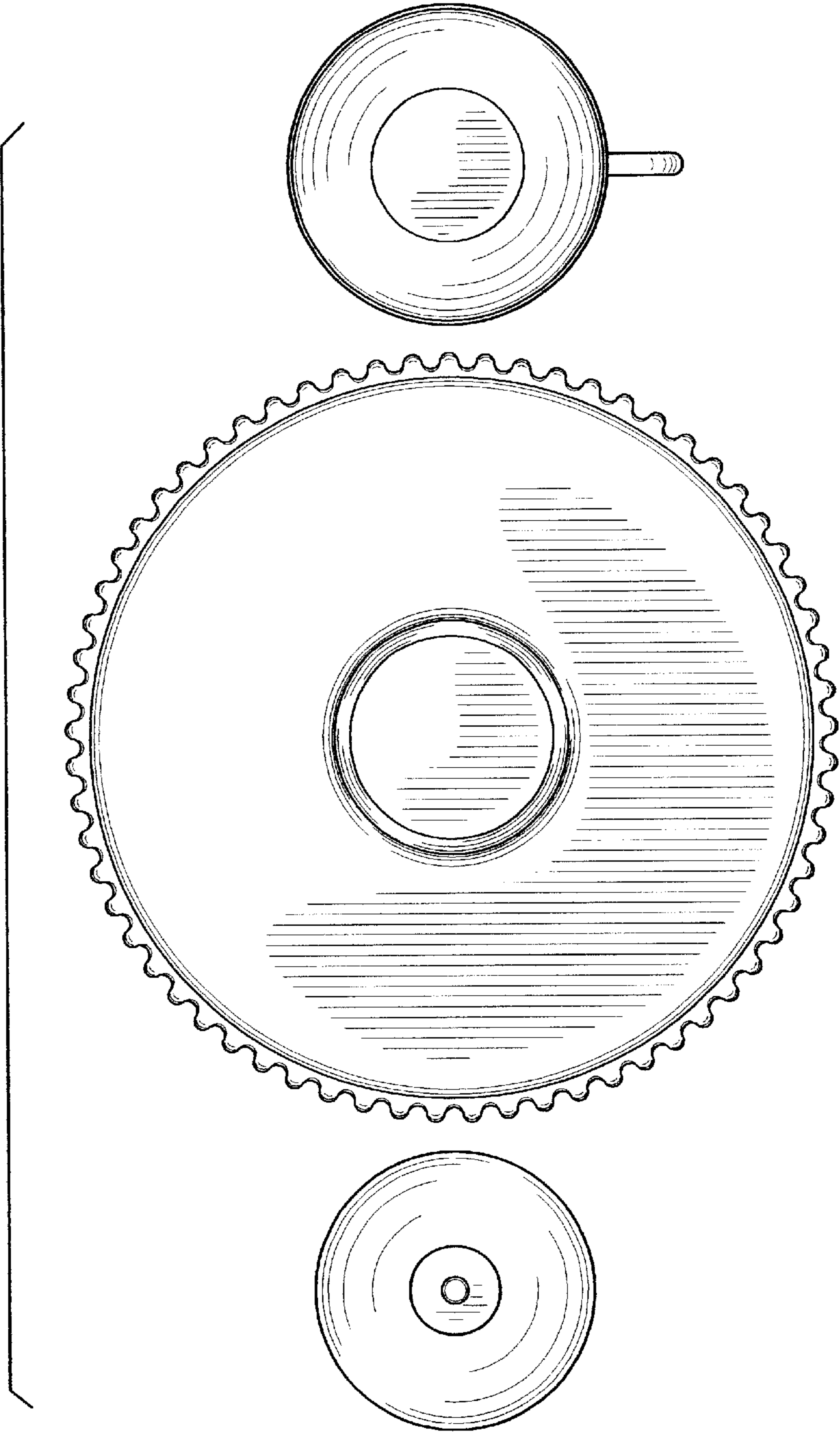
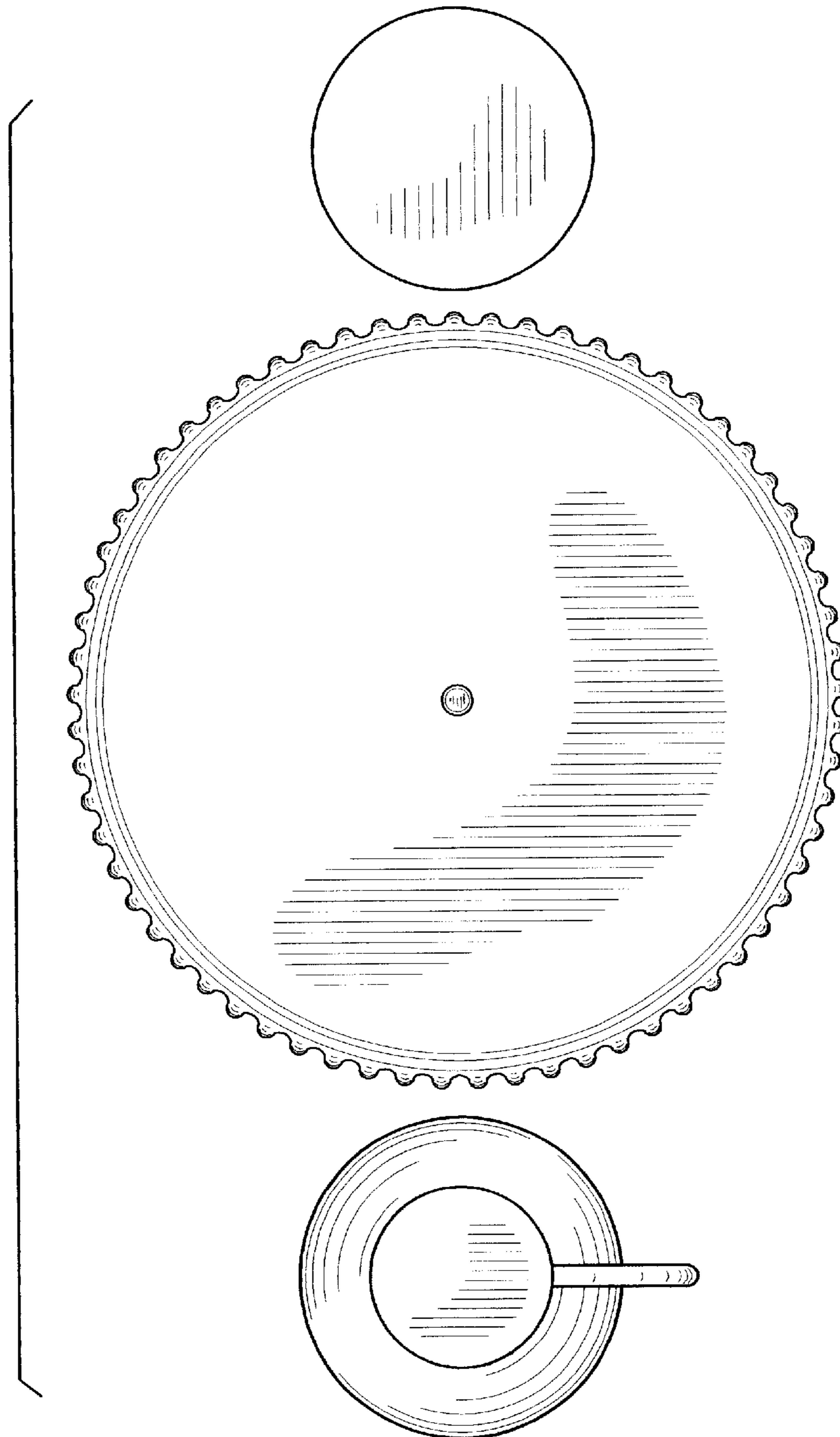


FIG. 5



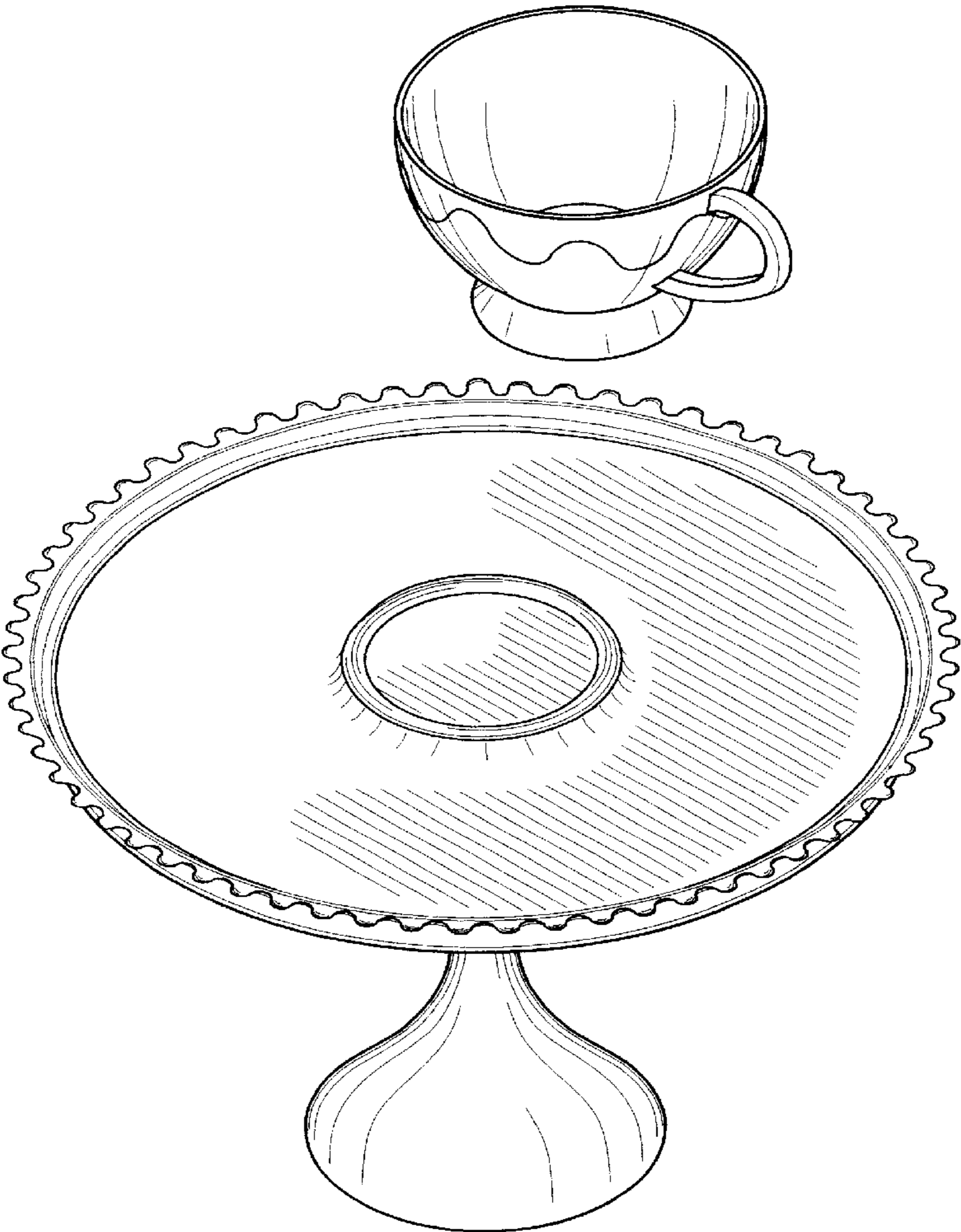


FIG. 6