

US00D507932S

(12) **United States Design Patent** (10) **Patent No.:** **US D507,932 S**  
**Cintron et al.** (45) **Date of Patent:** **\*\* Aug. 2, 2005**

- (54) **BASE FOR A BEVERAGE CONTAINER**
- (75) Inventors: **Jacqueline T. Cintron**, Laguna Beach, CA (US); **Richard L. Humphrey**, Newport Beach, CA (US); **Thomas S. Fox**, Costa Mesa, CA (US); **Matthew R. Ford**, Laguna Beach, CA (US); **Bryan H. Vollmer**, Trabuco Canyon, CA (US)
- (73) Assignee: **DrinkWorks, Inc.**, Newport Beach, CA (US)
- (\*\*) Term: **14 Years**
- (21) Appl. No.: **29/209,441**
- (22) Filed: **Jul. 16, 2004**

D246,882 S	1/1978	Thrush	.....	D7/536
D265,880 S	* 8/1982	Craig	.....	D7/622
D279,752 S	7/1985	Jagger	.....	D7/510
D282,232 S	1/1986	Bussell	.....	D7/509
D298,200 S	* 10/1988	Block et al.	.....	D7/622
D307,089 S	4/1990	Lage	.....	D7/536
D323,620 S	* 2/1992	Patterson	.....	D9/455
D351,314 S	10/1994	Sokolski et al.	.....	D7/536
D377,738 S	2/1997	Thorne	.....	D7/536
D388,281 S	12/1997	Trombley	.....	D7/515
D406,985 S	3/1999	Trombly	.....	D7/536
D420,850 S	* 2/2000	Endres	.....	D7/396.6
D444,349 S	7/2001	Lin	.....	D7/510
D451,346 S	12/2001	Wyche	.....	D7/509
D457,389 S	* 5/2002	Snell	.....	D7/396.6
D458,082 S	6/2002	Gluck	.....	D7/510
D462,575 S	9/2002	Gluck	.....	D7/510
D462,578 S	9/2002	Janky	.....	D7/533
D465,132 S	11/2002	Janky et al.	.....	D7/510
D484,365 S	12/2003	Wyche	.....	D7/587

**Related U.S. Application Data**

- (62) Division of application No. 29/181,804, filed on May 15, 2003, now Pat. No. Des. 495,927.
- (51) **LOC (8) Cl.** ..... **07-99**
- (52) **U.S. Cl.** ..... **D7/396.6; D7/619.1**
- (58) **Field of Search** ..... D7/536, 533, 523, D7/509, 392.1, 394, 510, 511, 396.2, 396.6, 587, 622, 619.1, 397, 624.1; 222/568, 183; 220/603, 713, 630, 705, 714, 610, 737; D9/455; 294/31.2

**References Cited**

**U.S. PATENT DOCUMENTS**

D70,329 S	6/1926	Johnson	.....	D7/536
3,017,215 A	* 1/1962	Galipeau	.....	294/31.2
D195,376 S	6/1963	Curtis	.....	D7/511
D209,533 S	* 12/1967	Cole et al.	.....	D7/622
D215,328 S	* 9/1969	Fera	.....	D7/622
D219,163 S	* 11/1970	Welsh	.....	D7/622
D219,529 S	12/1970	Uhrmann	.....	D7/523
D225,363 S	* 12/1972	Welsh	.....	D7/622

\* cited by examiner

*Primary Examiner*—M. N. Pandozzi  
(74) *Attorney, Agent, or Firm*—Knobbe, Martens, Olson & Bear LLP

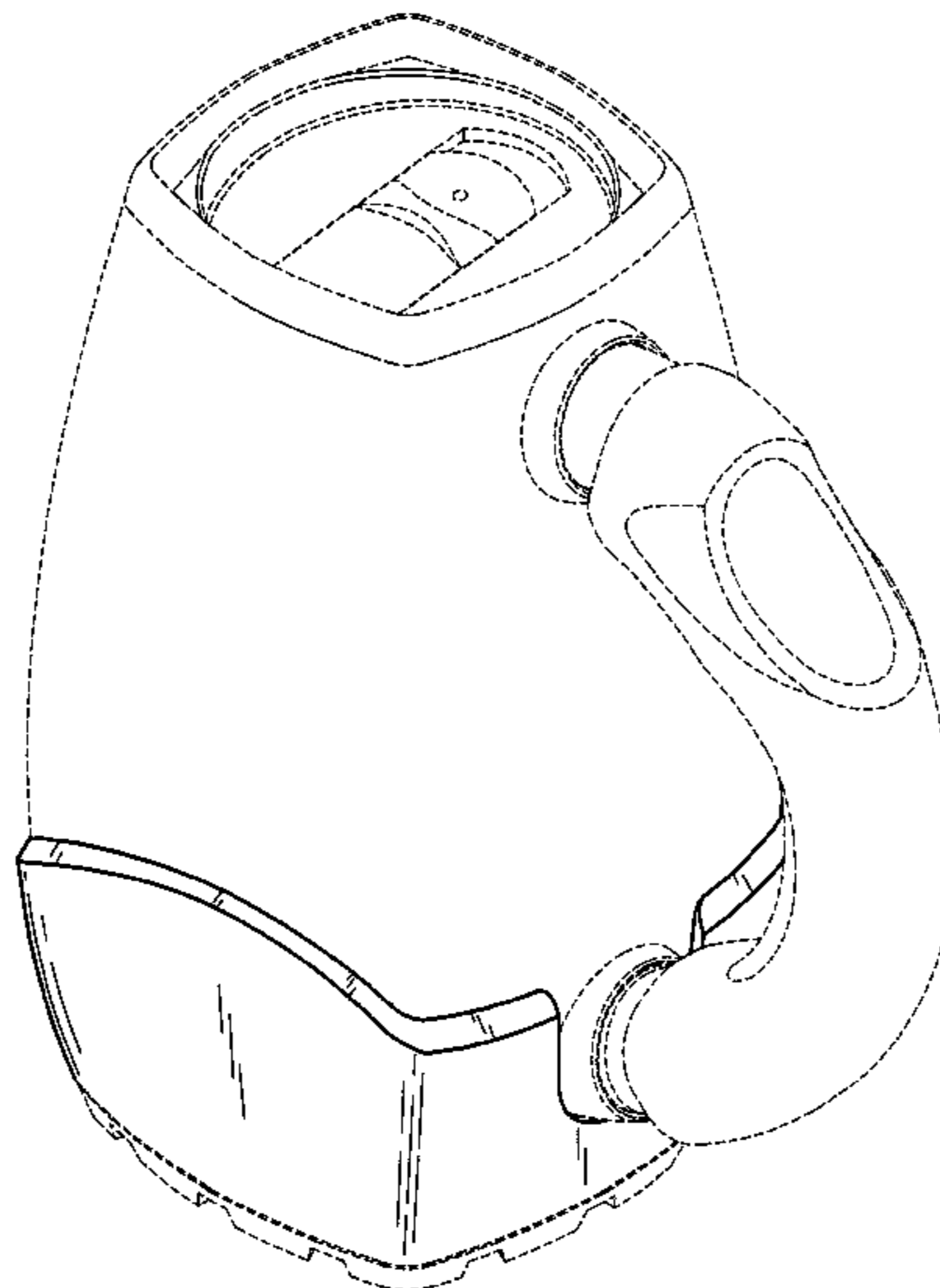
(57) **CLAIM**

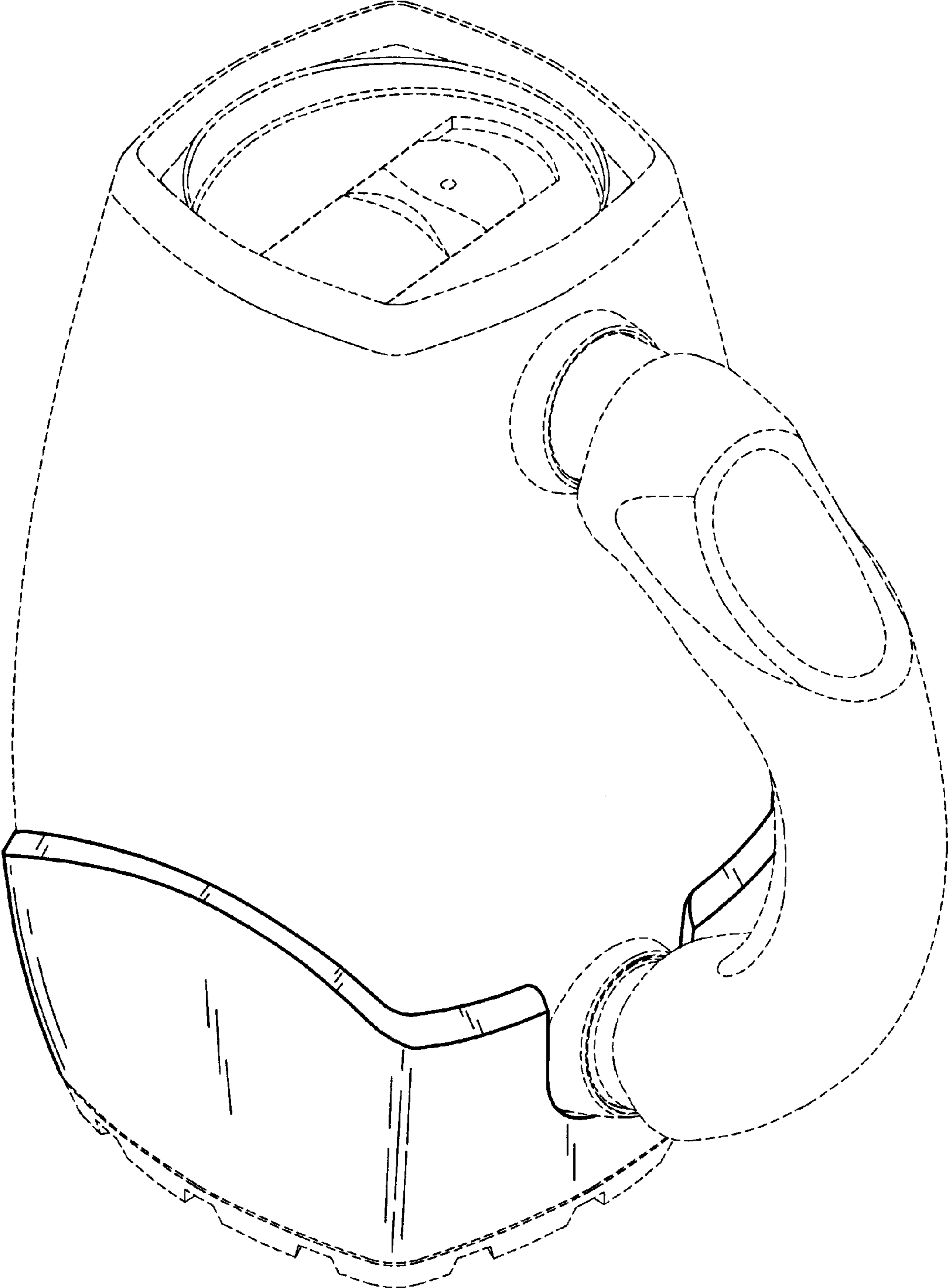
The ornamental design for a base for a beverage container, as shown and described.

**DESCRIPTION**

FIG. 1 is a perspective view of another embodiment of a base for a beverage container;  
FIG. 2 is a right-side elevation view of the base of FIG. 1;  
FIG. 3 is a rear elevation view of the base of FIG. 1, the front elevation view being a mirror image thereof;  
FIG. 4 is a left-side elevation view of the base of FIG. 1; and,  
FIG. 5 is a bottom plan view of the base of FIG. 1.  
The broken lines in the drawings are for illustrative purposes only and form no part of the claimed design.

**1 Claim, 3 Drawing Sheets**





*FIG. 1*

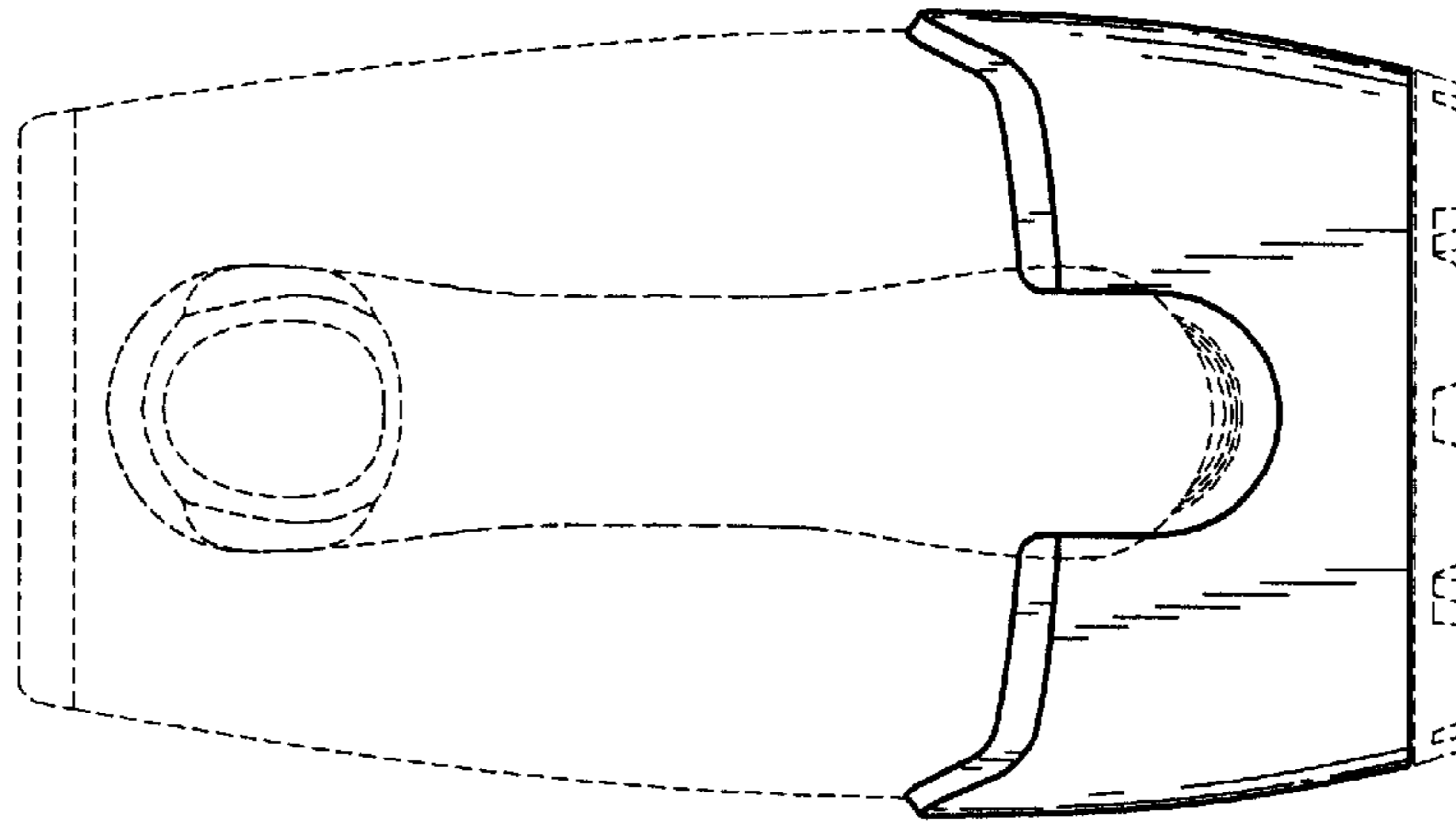


FIG. 4

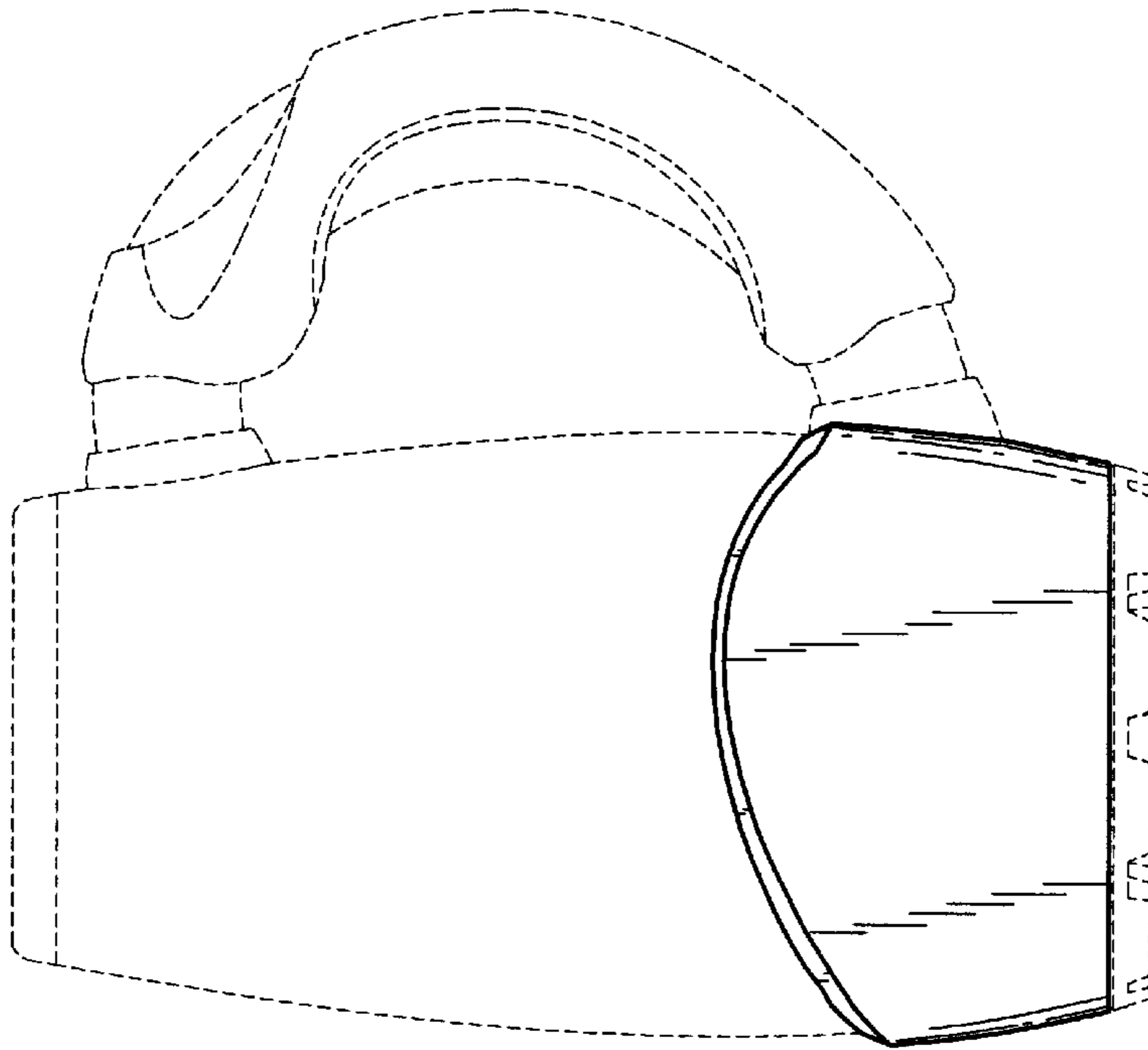


FIG. 3

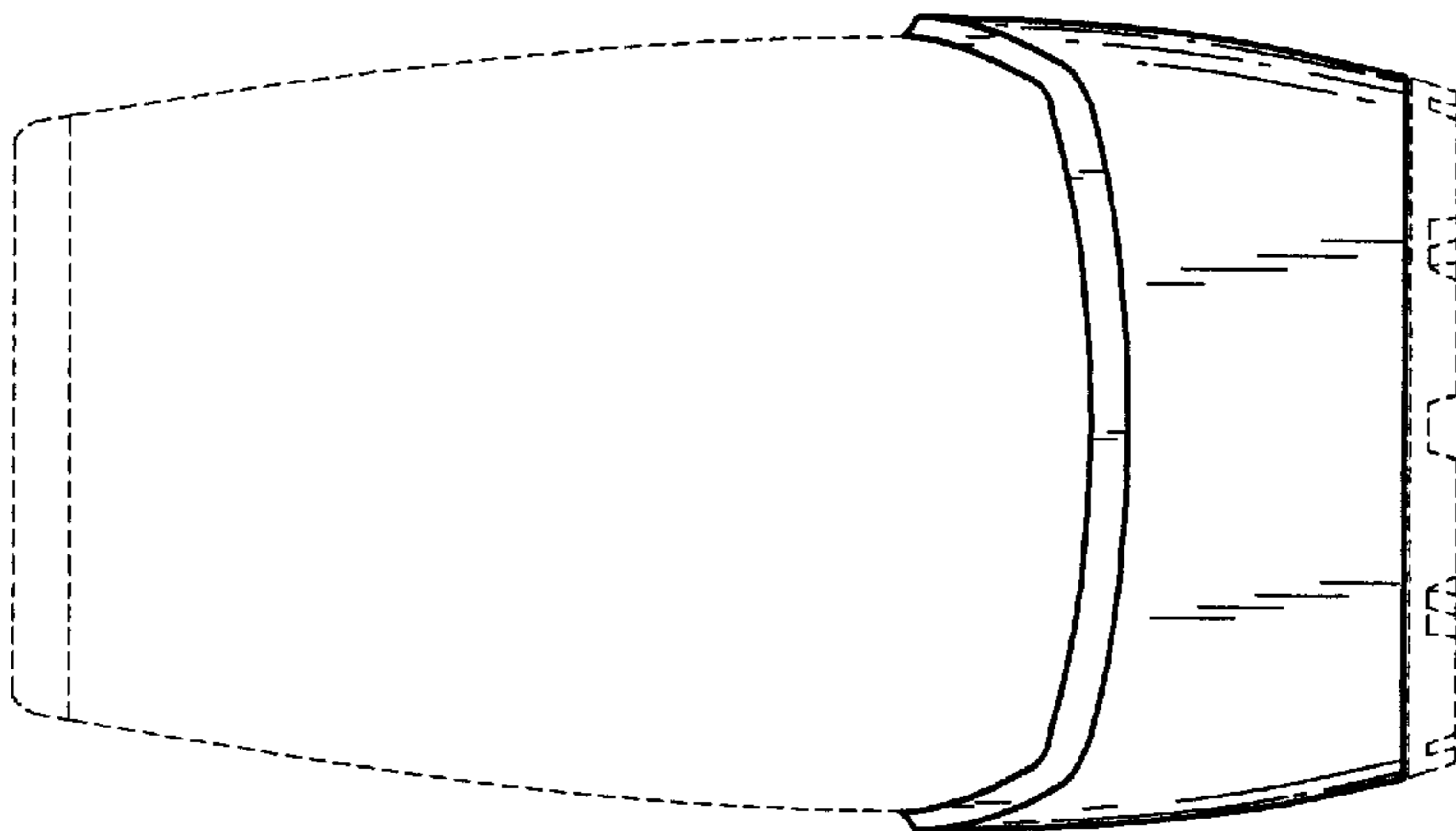


FIG. 2

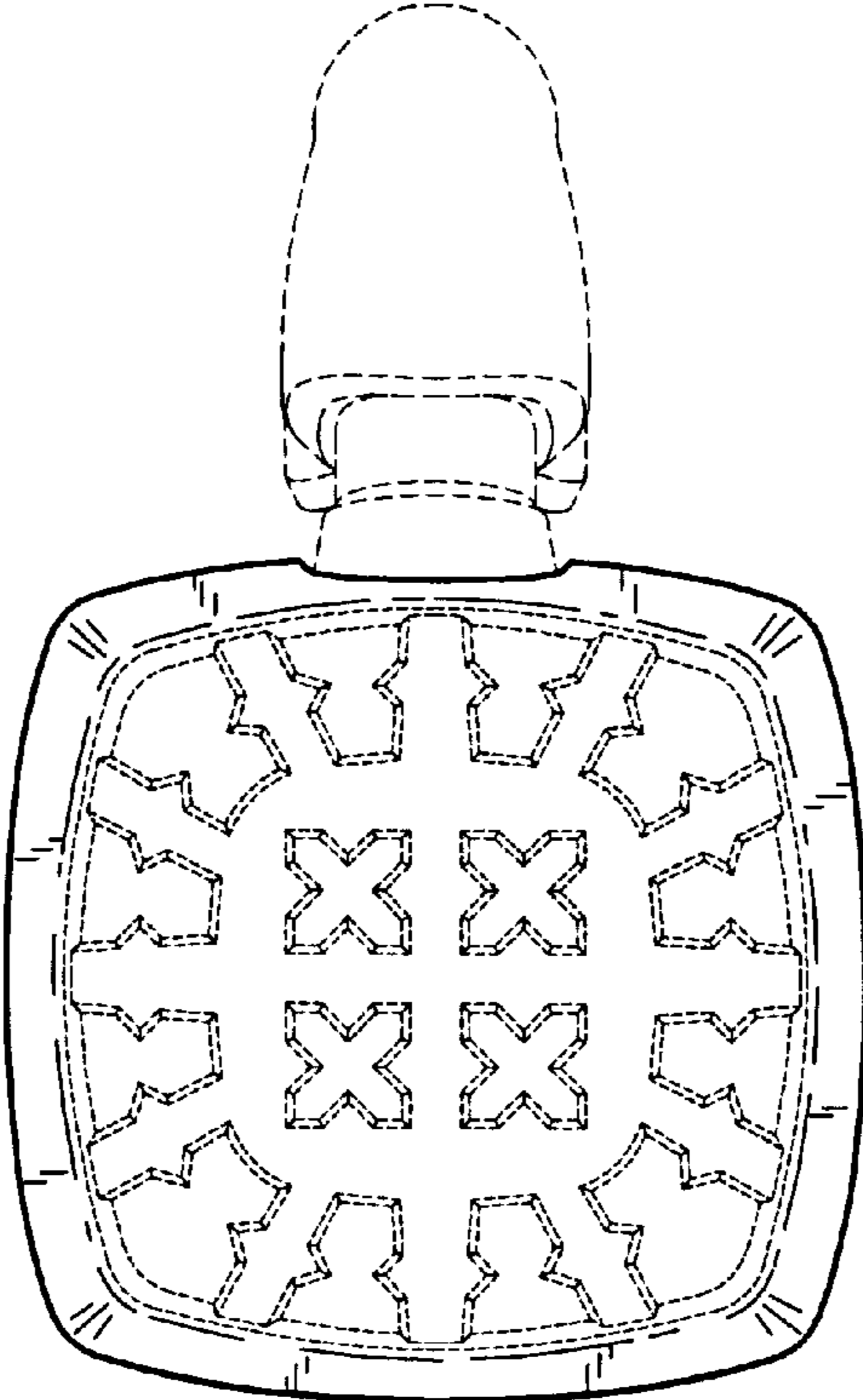


FIG. 5