

US00D507931S

(12) **United States Design Patent** (10) **Patent No.:** **US D507,931 S**  
**Rae** (45) **Date of Patent:** **\*\* Aug. 2, 2005**

(54) **HANDLE FOR LID FOR ARTICLE OF COOKWARE**

D369,289 S 4/1996 Caugh et al. .... D8/317  
D438,087 S \* 2/2001 Fonfeder ..... D8/317  
D450,999 S \* 11/2001 Dewald et al. .... D8/317

(75) Inventor: **Bob Rae**, Kowloon (HK)

**OTHER PUBLICATIONS**

(73) Assignee: **Meyer Intellectual Properties Limited** (HK)

Sur La Table, Fall 2001, p. 33, handle of a sauce pan, MC2.\*  
Chef's Catalog, Spring 2001, p. 20, handle of a saucepan,  
All-Clad Cop-R-Chef™.\*  
Chef's Catalog, p. 13, handle on a pot lid (D) and (E).

(\*\*) Term: **14 Years**

\* cited by examiner

(21) Appl. No.: **29/201,101**

*Primary Examiner*—Terry A. Wallace

(22) Filed: **Mar. 10, 2004**

(74) *Attorney, Agent, or Firm*—Wood Herron & Evans, L.L.P.

**Related U.S. Application Data**

(62) Division of application No. 29/173,816, filed on Jan. 7, 2003, now Pat. No. Des. 493,061.

(57) **CLAIM**

(51) **LOC (8) Cl.** ..... **07-02**

The ornamental design for a “handle for lid for article of cookware,” as shown and described.

(52) **U.S. Cl.** ..... **D7/393**

**DESCRIPTION**

(58) **Field of Search** ..... D7/391, 392.1,  
D7/393, 354–361; D8/306, 317; 16/110.1,  
430, 431, 436, 444, 415, 419; 220/573.1–573.5,  
752–755, 758, 768, 912

FIG. 1 is a front perspective view of a “handle for lid for article of cookware” incorporating the design of my invention.

(56) **References Cited**

**U.S. PATENT DOCUMENTS**

402,236 A \* 4/1889 Peust ..... 16/419  
461,711 A \* 10/1891 Preston ..... 16/419  
766,124 A \* 7/1904 Turner ..... 16/419  
790,689 A 5/1905 Judkins ..... 16/419  
D187,515 S 3/1960 Frambee ..... D8/303  
3,120,974 A \* 2/1964 Matson ..... 220/758  
D229,026 S 11/1973 Javkin ..... D8/306  
4,794,666 A 1/1989 Kim ..... 220/753

FIG. 2 is a top view thereof.

FIG. 3 is a bottom view thereof.

FIG. 4 is a side view thereof.

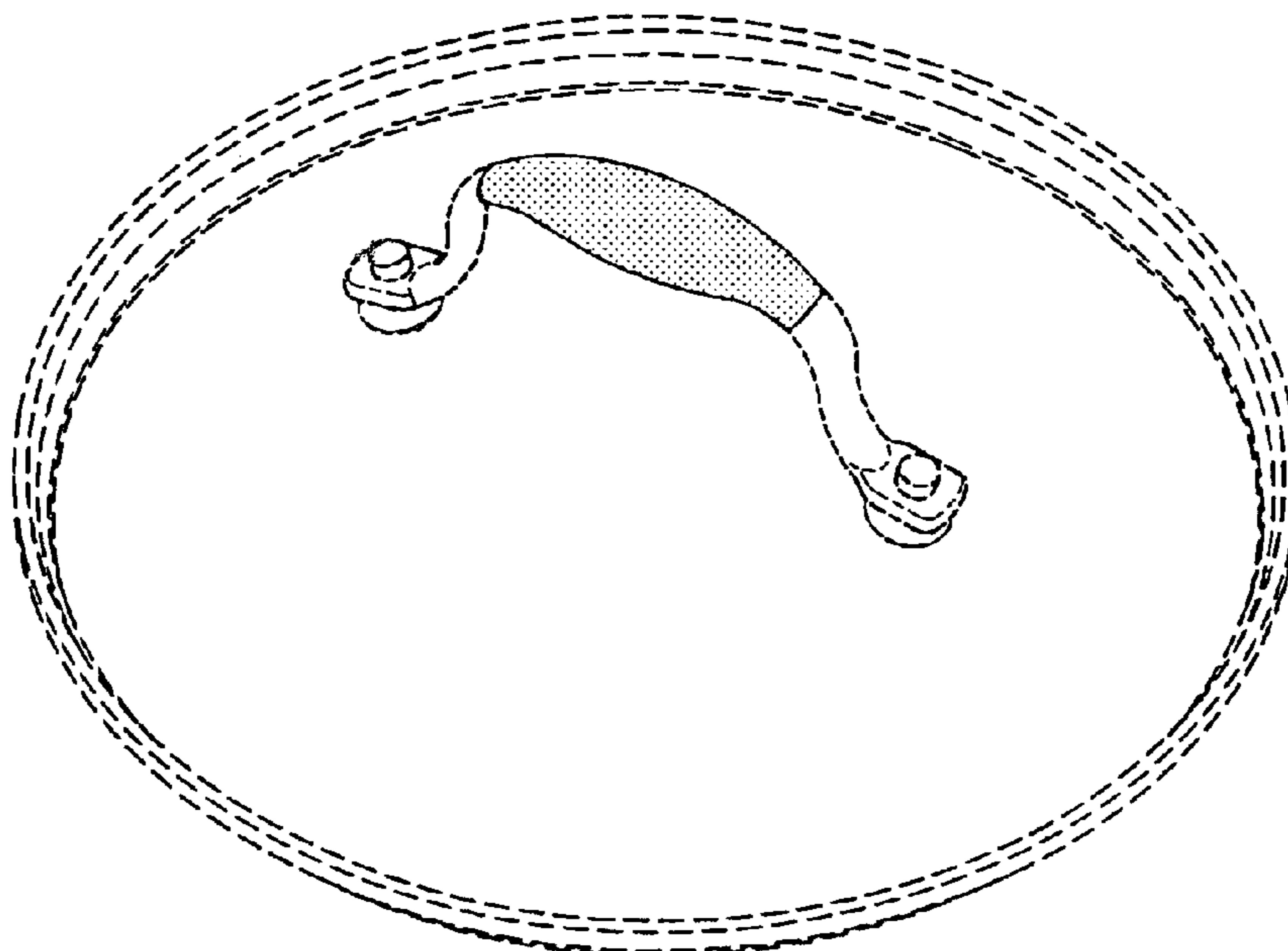
FIG. 5 is another side view thereof.

FIG. 6 is a front view thereof; and,

FIG. 7 is a rear view thereof.

The part of the drawings shown in phantom lines depicts the environment of my new design and forms no part of the design.

**1 Claim, 5 Drawing Sheets**



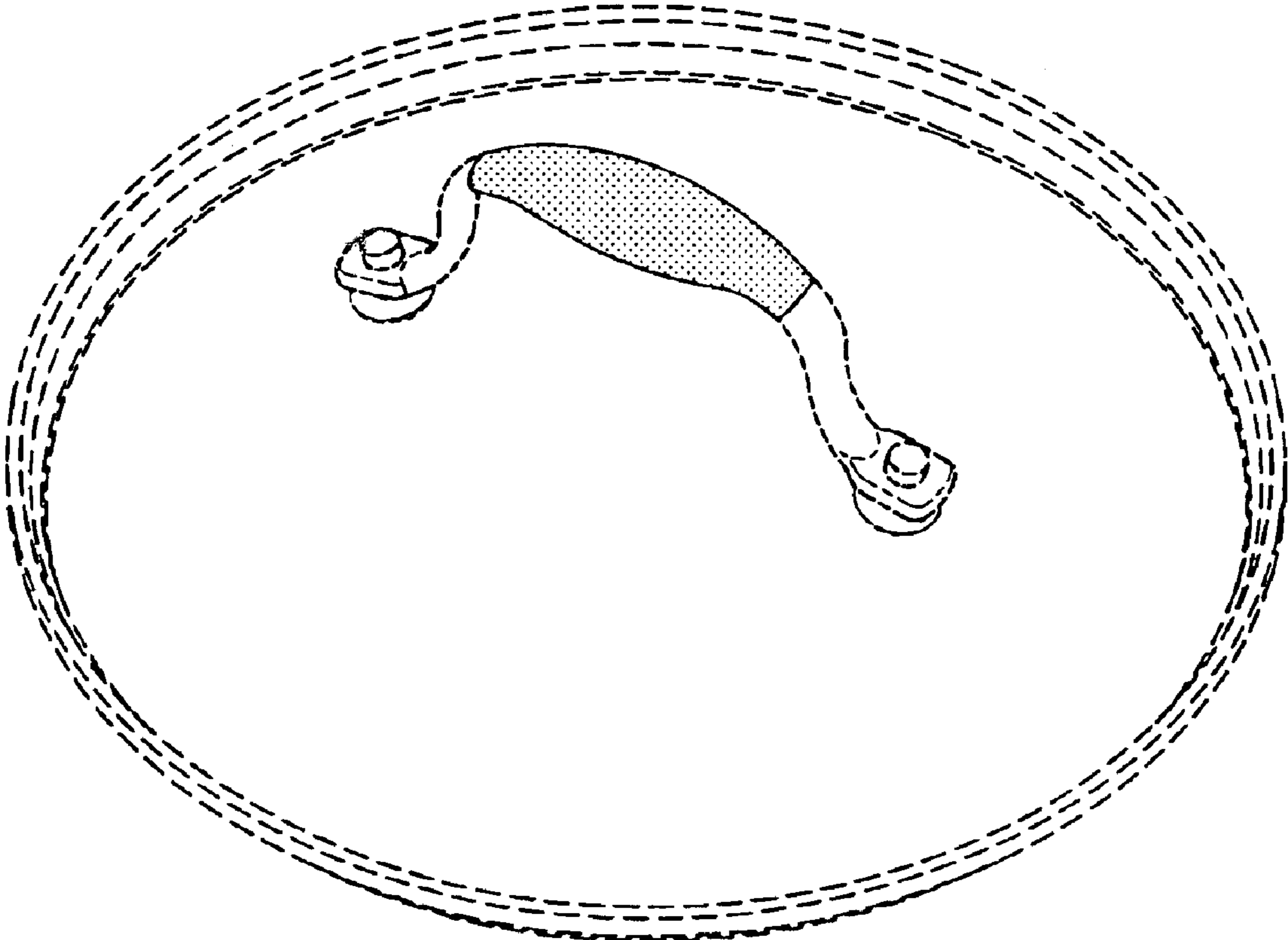


FIG. 1

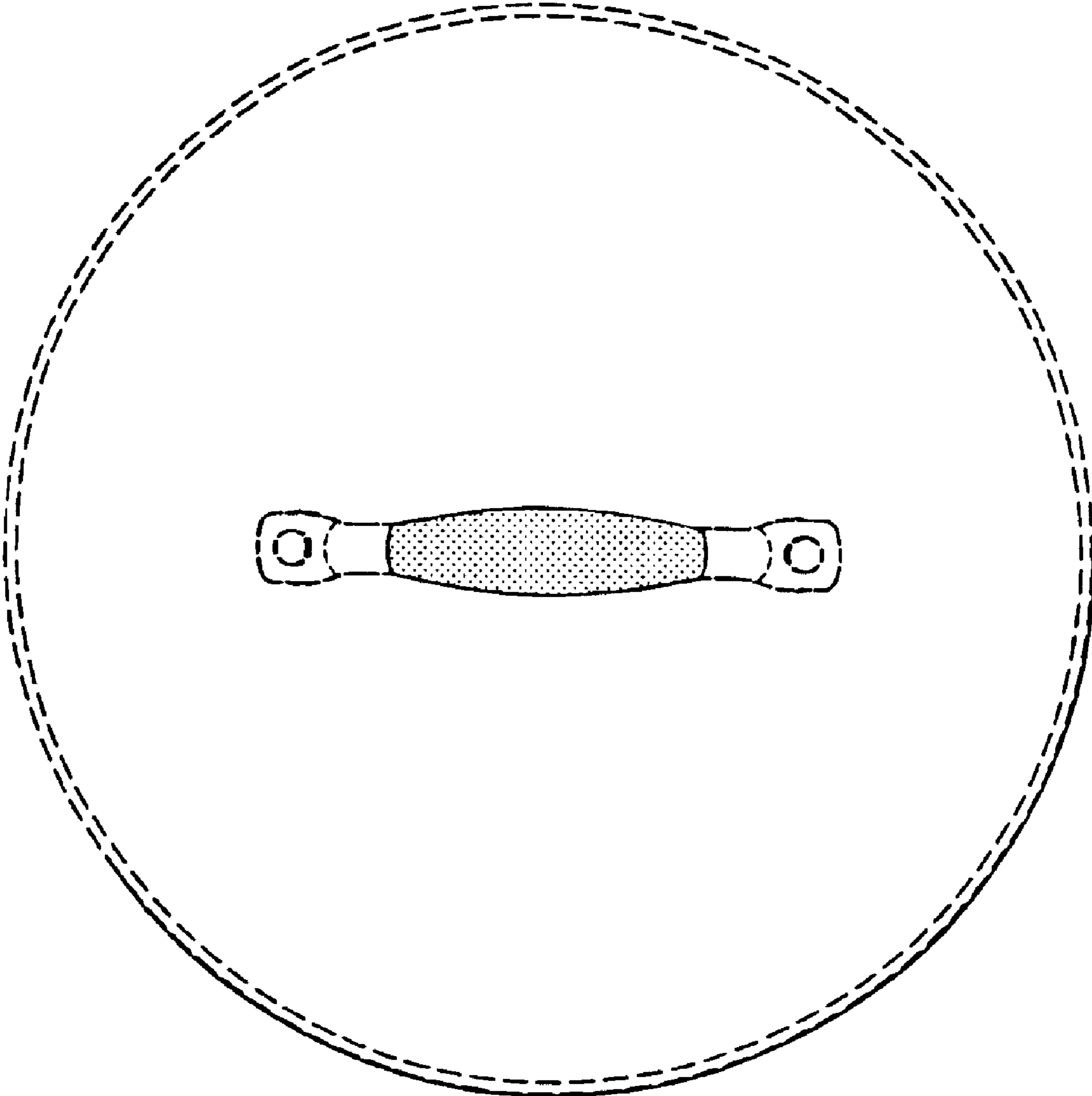


FIG. 2

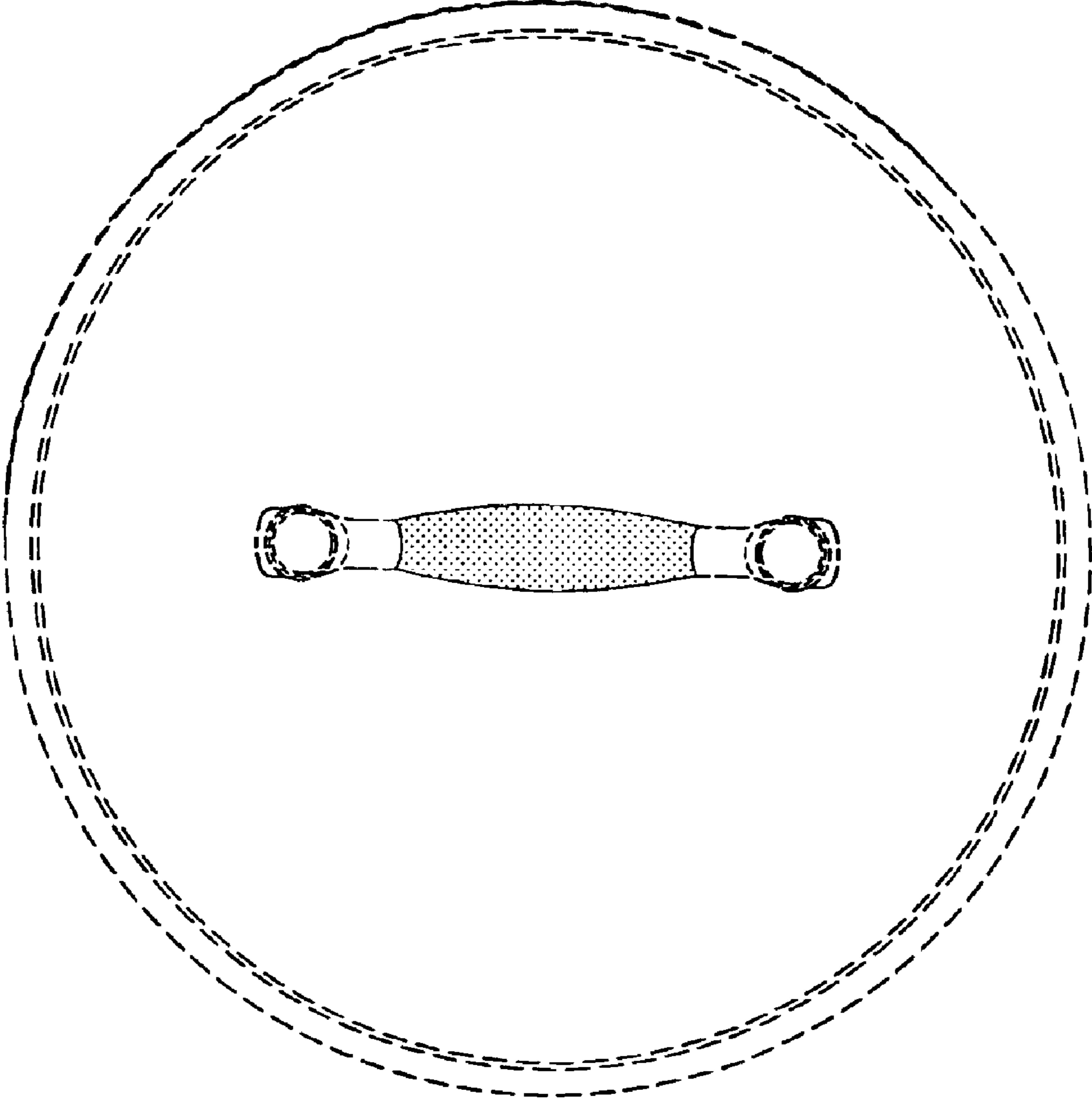


FIG. 3

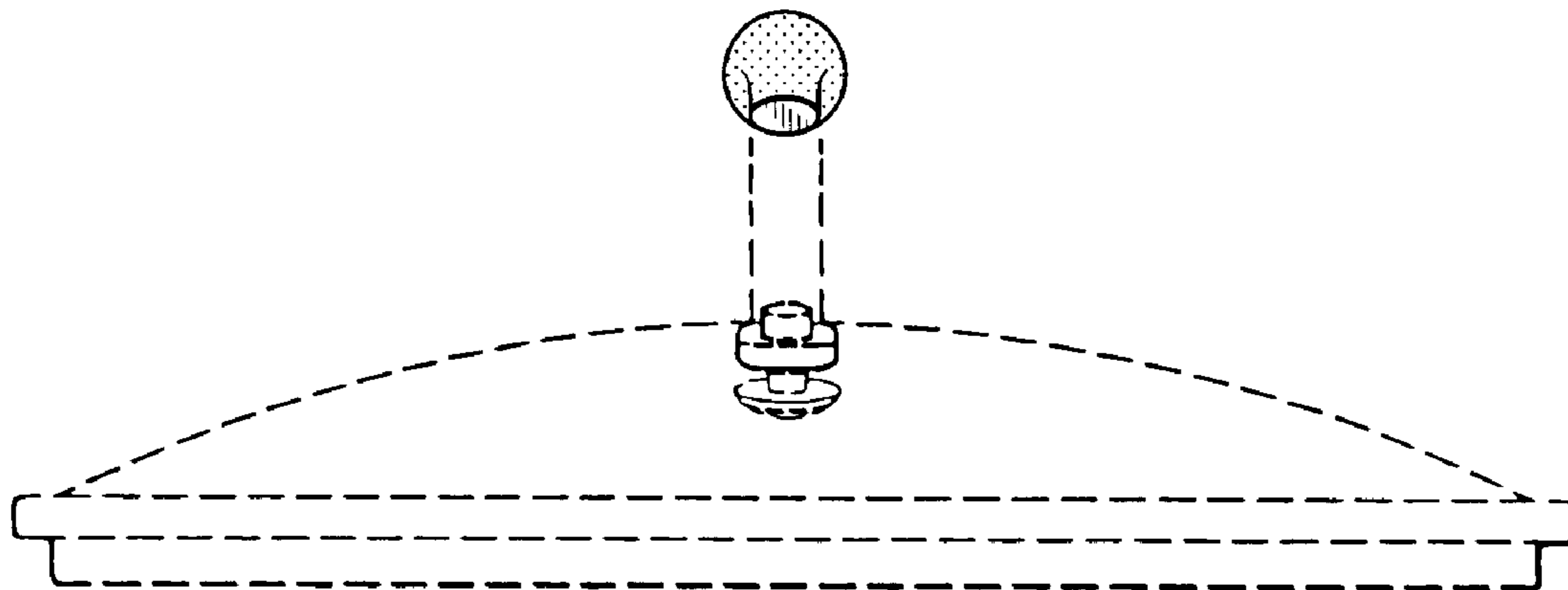


FIG. 4

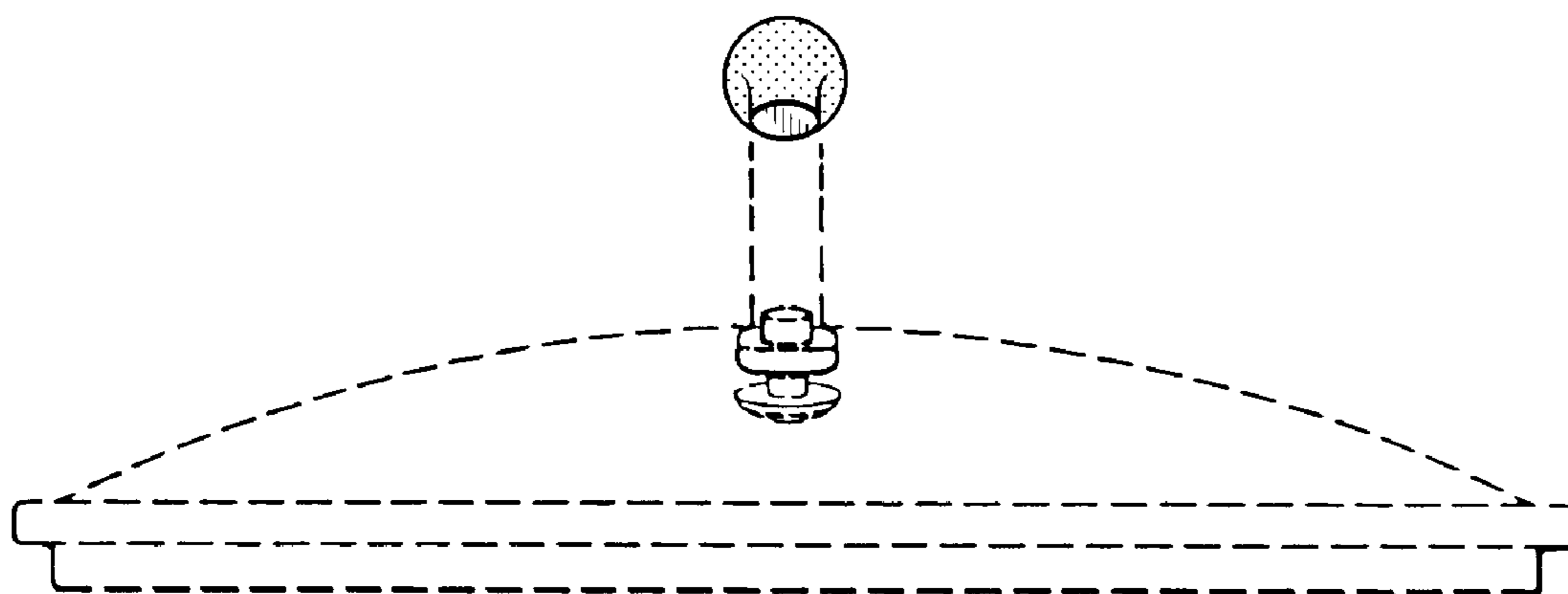


FIG. 5

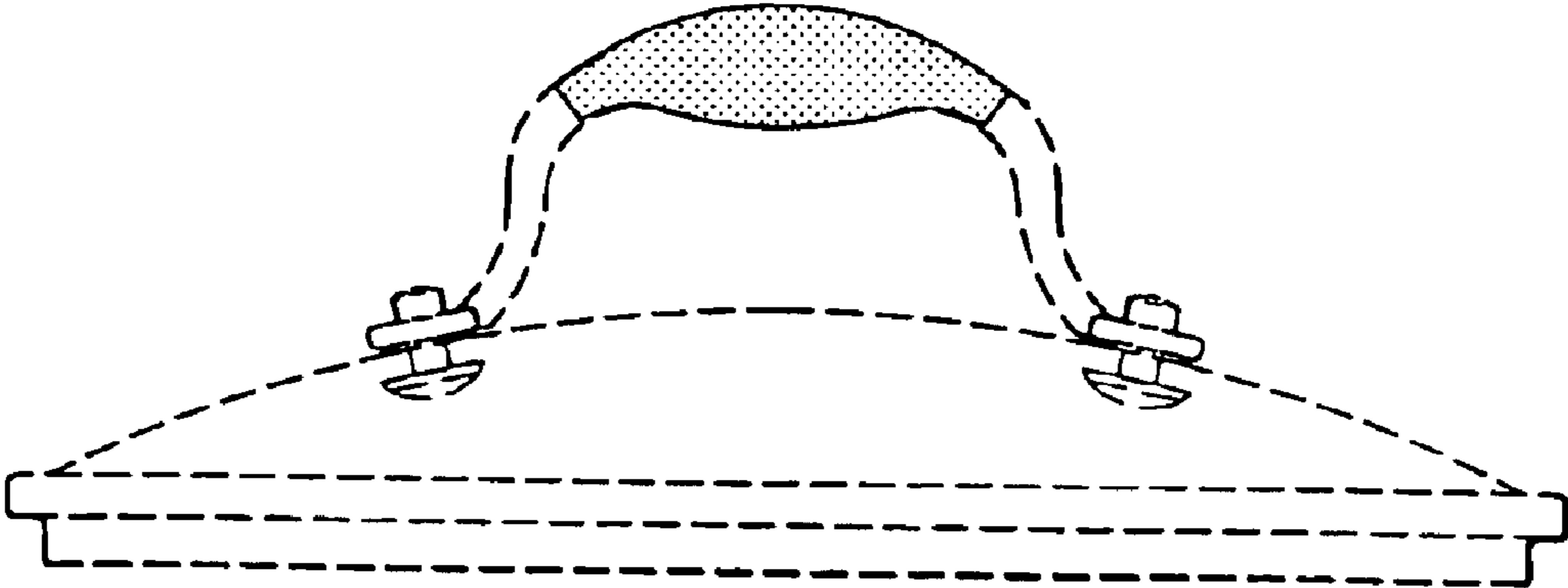


FIG. 6

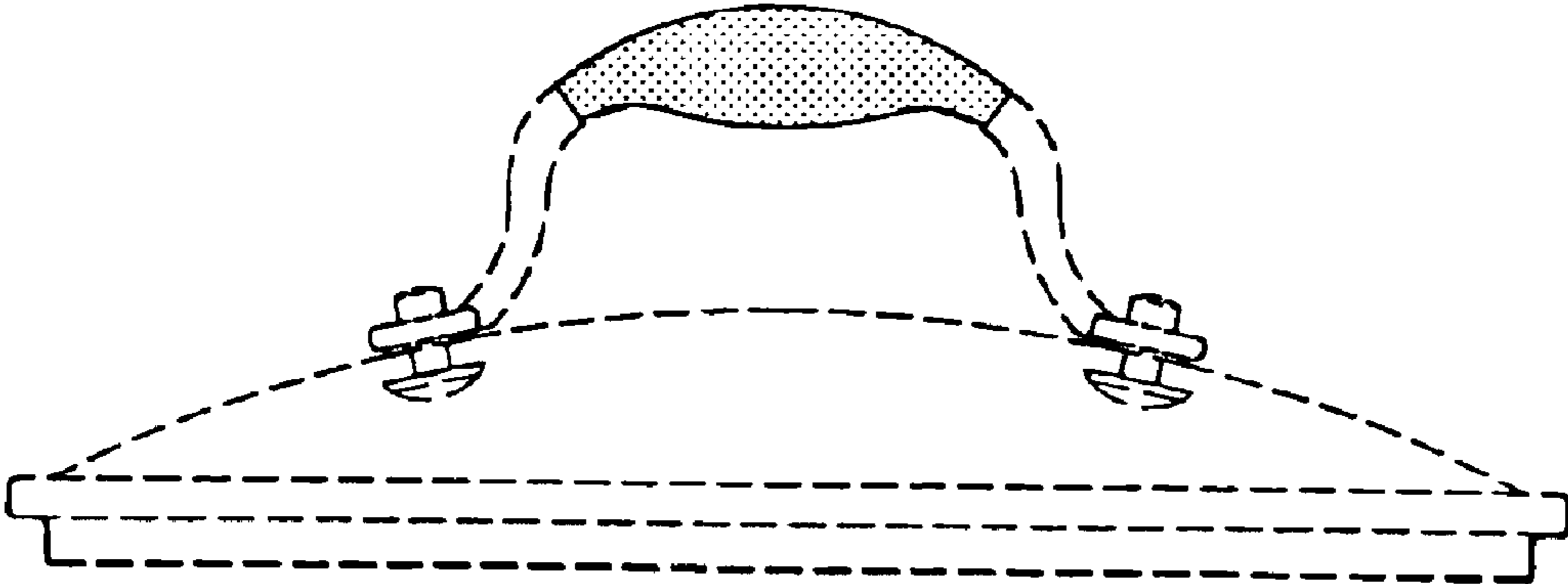


FIG. 7