

US00D507930S

(12) **United States Design Patent**  
**Kimbrough**

(10) **Patent No.:** **US D507,930 S**  
(45) **Date of Patent:** **\*\* Aug. 2, 2005**

(54) **AUTOMATIC FISH SCALER**

(57) **CLAIM**

(76) **Inventor:** **Allan M. Kimbrough**, 209 Warwick Dr., Monroe, LA (US) 71203

The ornamental design for an automatic fish scaler, as shown and described.

(\*\*) **Term:** **14 Years**

**DESCRIPTION**

(21) **Appl. No.:** **29/199,810**

The present invention is used to remove scales from fish. FIG. 1 is a side perspective view of an automatic fish scaler of the present invention.

(22) **Filed:** **Feb. 19, 2004**

(51) **LOC (8) Cl.** ..... **31-00**

FIG. 2 is an overhead view of the automatic fish scaler depicted in FIG. 1.

(52) **U.S. Cl.** ..... **D7/381; D7/693**

FIG. 3 is a side elevational view of the automatic fish scaler depicted in FIGS. 1 and 2.

(58) **Field of Search** ..... D7/669, 693, 368, D7/381; 452/81, 101, 104, 105, 133, 149

FIG. 4 is a side elevational view of the automatic fish scaler depicted in FIGS. 1 through 3.

(56) **References Cited**

**U.S. PATENT DOCUMENTS**

FIG. 5 is a bottom view of the automatic fish scaler depicted in FIGS. 1 through 4.

1,642,802 A *	9/1927	Barry	.....	452/101
2,481,182 A *	9/1949	Waters	.....	452/104
2,884,658 A *	5/1959	Johnson	.....	452/133
3,667,086 A *	6/1972	Sexton	.....	452/81

FIG. 6 is an end view of the automatic fish scaler depicted in FIGS. 1 through 5; and,

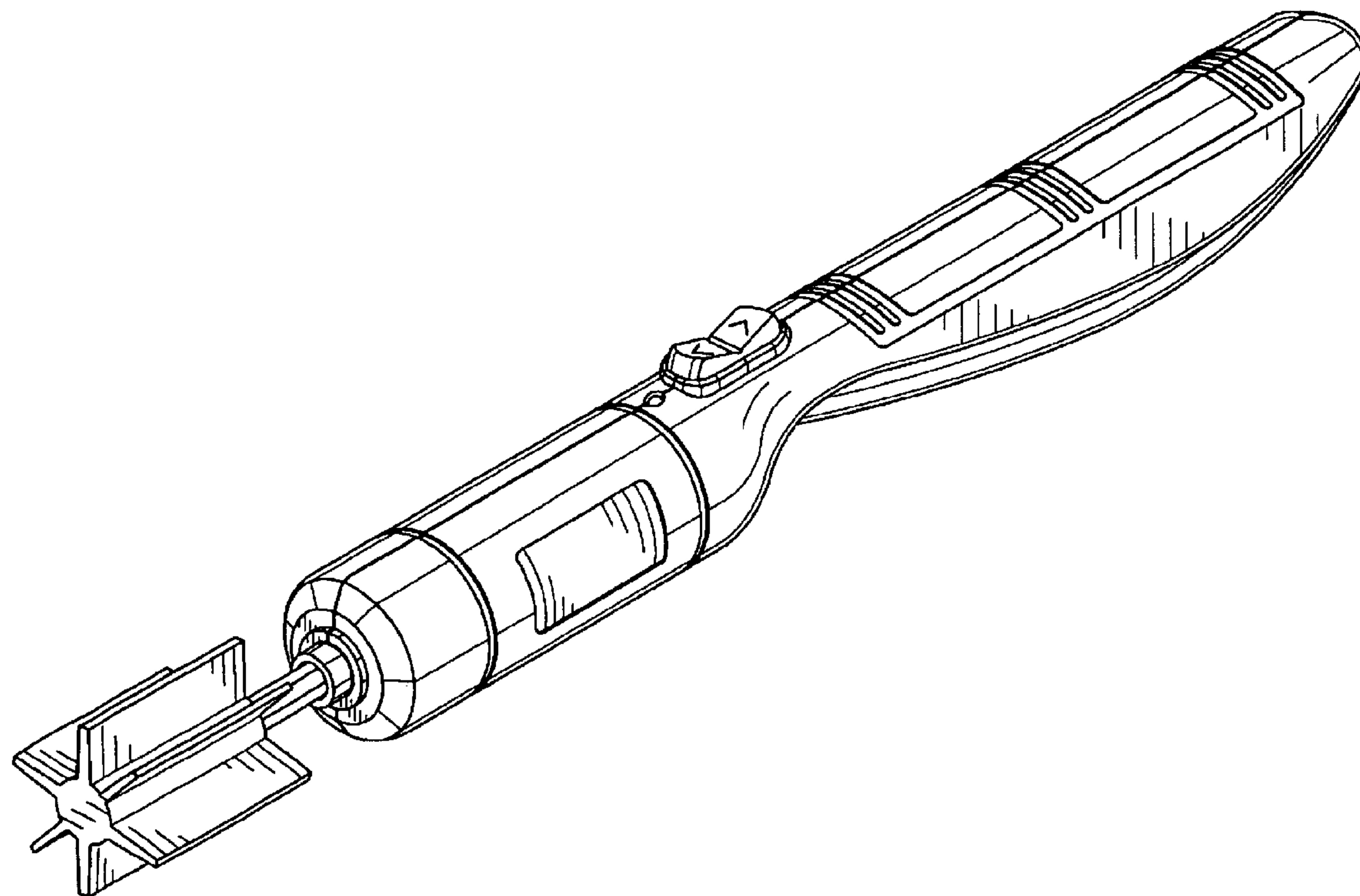
\* cited by examiner

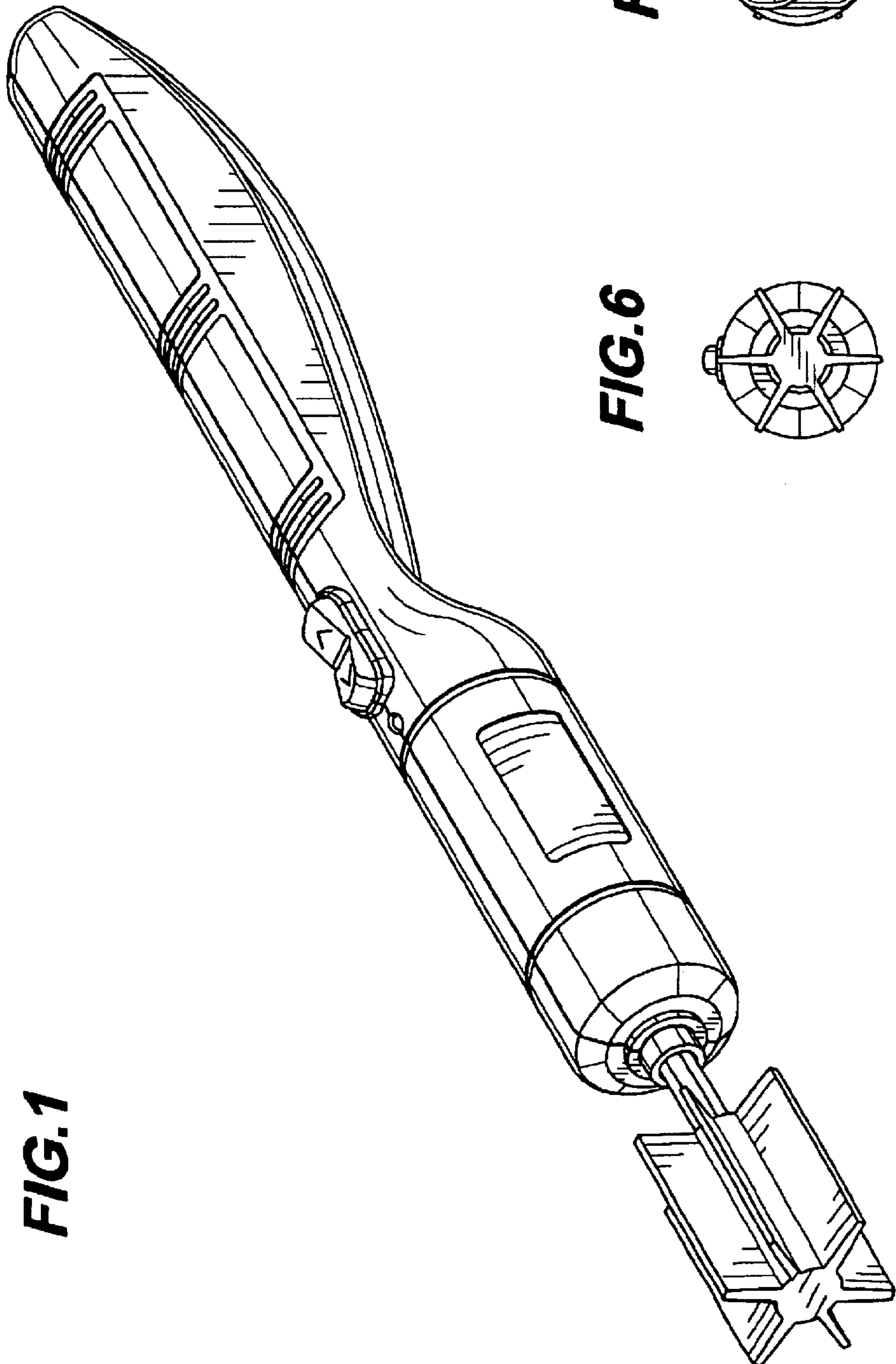
FIG. 7 is an end view of the automatic fish scaler depicted in FIGS. 1 through 6.

*Primary Examiner*—Terry A. Wallace

**1 Claim, 3 Drawing Sheets**

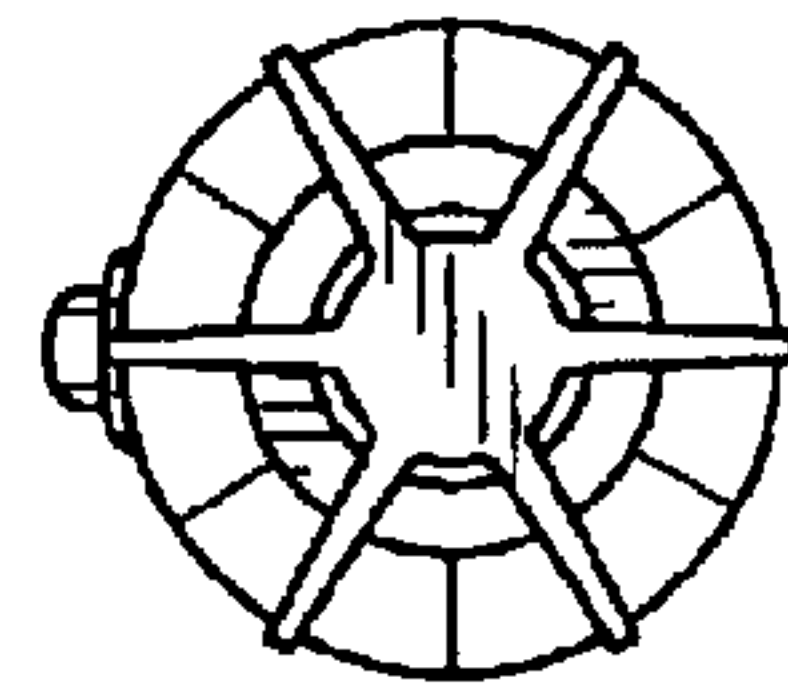
(74) *Attorney, Agent, or Firm*—Ted M. Anthony



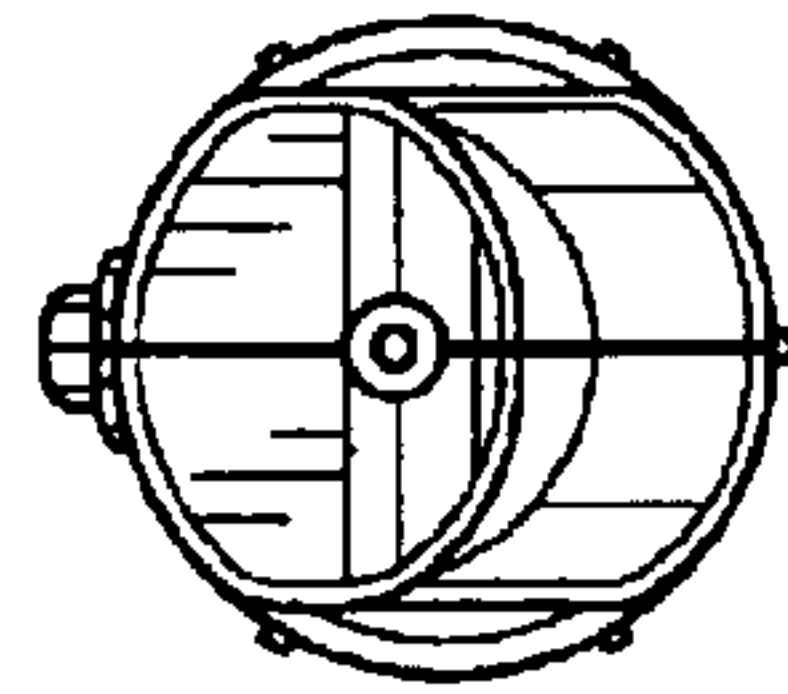


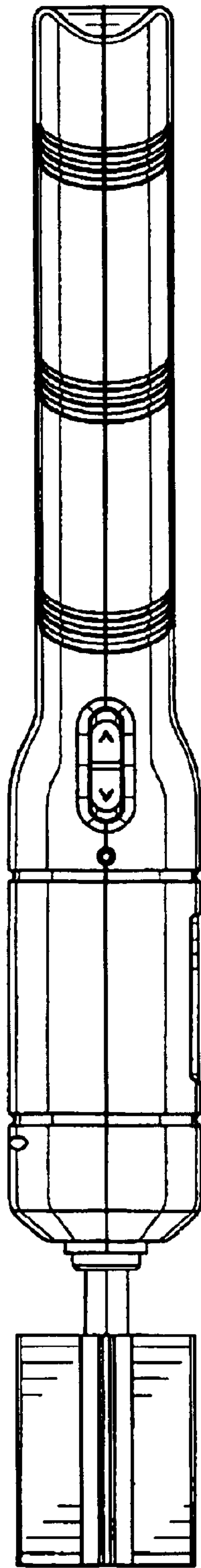
**FIG. 1**

**FIG. 6**

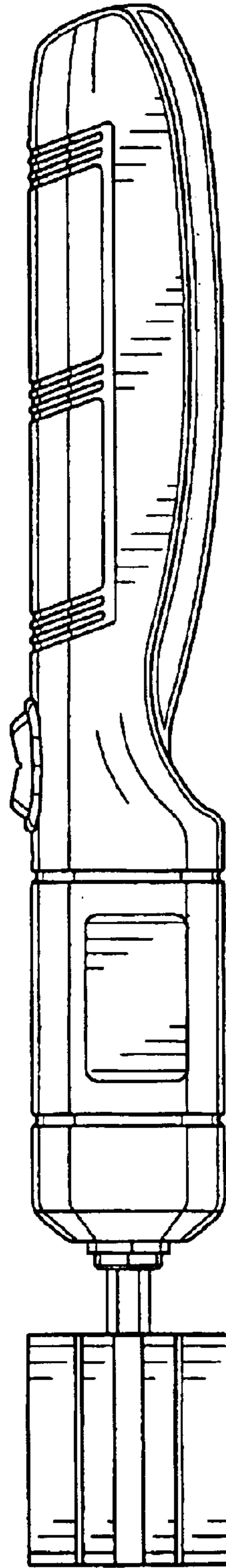


**FIG. 7**

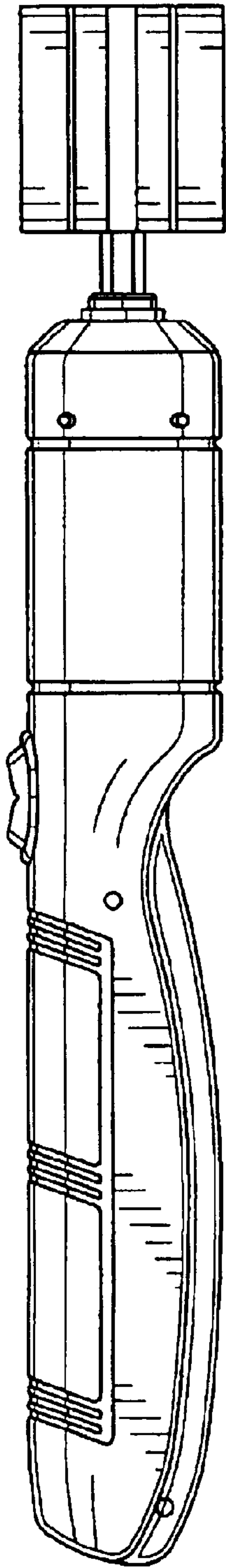




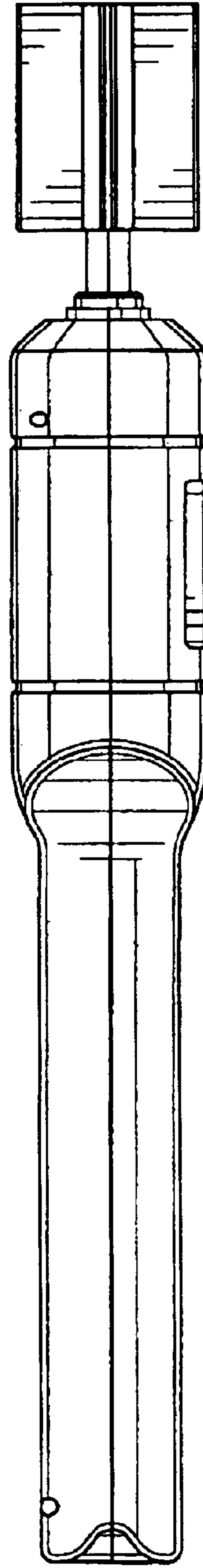
**FIG. 2**



**FIG. 3**



**FIG. 4**



**FIG. 5**