



US00D507929S

(12) **United States Design Patent**
Steinberg et al.

(10) **Patent No.:** **US D507,929 S**

(45) **Date of Patent:** **** Aug. 2, 2005**

(54) **GRIDDLE**

(75) Inventors: **Howard I. Steinberg**, Shelton, CT (US); **Michelle Carillo**, Norwalk, CT (US); **Jill Kreutzer Orent**, Westport, CT (US); **Amy Geiger**, Bridgeport, CT (US); **Maria Aljoburi**, Shelton, CT (US); **Erica Petrow**, Fairfield, CT (US); **Amy Risinit**, Norwalk, CT (US)

(73) Assignee: **Conair Corporation**, Stamford, CT (US)

(**) Term: **14 Years**

(21) Appl. No.: **29/185,618**

(22) Filed: **Jun. 30, 2003**

(51) **LOC (8) Cl.** **07-02**

(52) **U.S. Cl.** **D7/352**

(58) **Field of Search** D7/323, 328-330, D7/352-361; 99/324, 325, 331, 339, 349, 353, 357, 372, 376, 377, 446; 219/620-622

(56) **References Cited**

U.S. PATENT DOCUMENTS

213,763 A	4/1879	Lee	99/410
875,972 A	1/1908	Wessel	99/412
D123,569 S	* 11/1940	Garvis	D7/352
D157,463 S	* 2/1950	Alexander	D7/352
2,597,695 A	5/1952	Braski et al.	219/441
2,785,277 A	3/1957	Jepson	219/442

D213,931 S	* 4/1969	Bardeau	D7/352
D338,132 S	8/1993	Chang	D7/356
D381,553 S	7/1997	Canduanides	D7/356
5,839,357 A	11/1998	Ha et al.	99/337
6,100,504 A	8/2000	Wagner	219/432
6,283,015 B1	9/2001	Kwon et al.	99/337
6,439,108 B1	* 8/2002	Wu	99/349
D479,665 S	* 9/2003	Barker	D7/352

* cited by examiner

Primary Examiner—Caron D. Veynar

(74) *Attorney, Agent, or Firm*—Ohlandt, Greeley, Ruggiero & Perle, L.L.P.

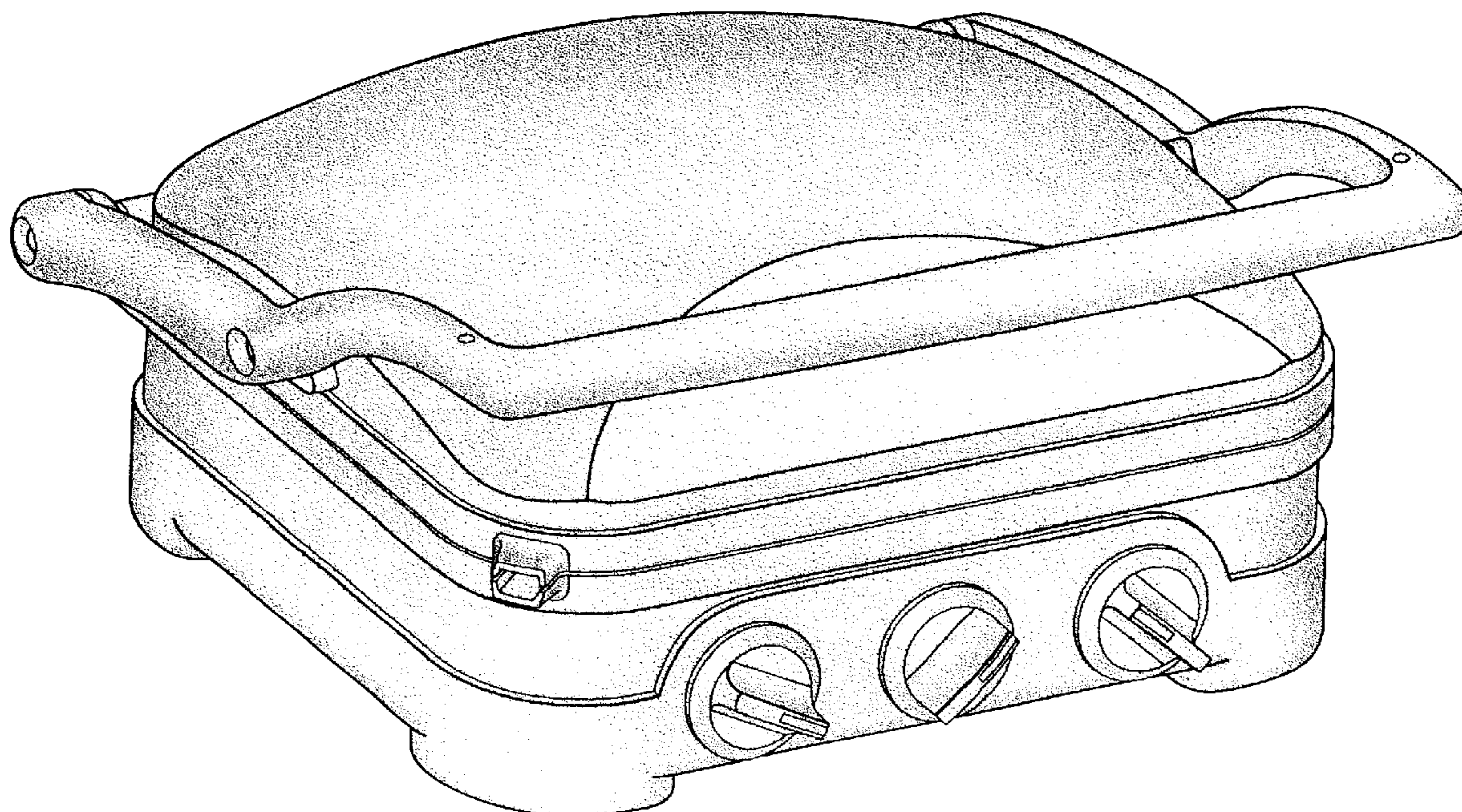
(57) **CLAIM**

The ornamental design for griddle, as shown and described.

DESCRIPTION

FIG. 1 is a perspective view of a griddle according to the present invention; FIG. 2 is a first plan view of the griddle of FIG. 1; FIG. 3 is a second plan view, opposite the first plan view, of the griddle of FIG. 1; FIG. 4 is a first side view of the griddle of FIG. 1; FIG. 5 is a second side view, opposite the first side view, of the griddle of FIG. 1; FIG. 6 is a third side view, rotated ninety degrees from the first side view, of the griddle of FIG. 1; and, FIG. 7 is a fourth side view, opposite the third side view, of the griddle of FIG. 1.

1 Claim, 5 Drawing Sheets



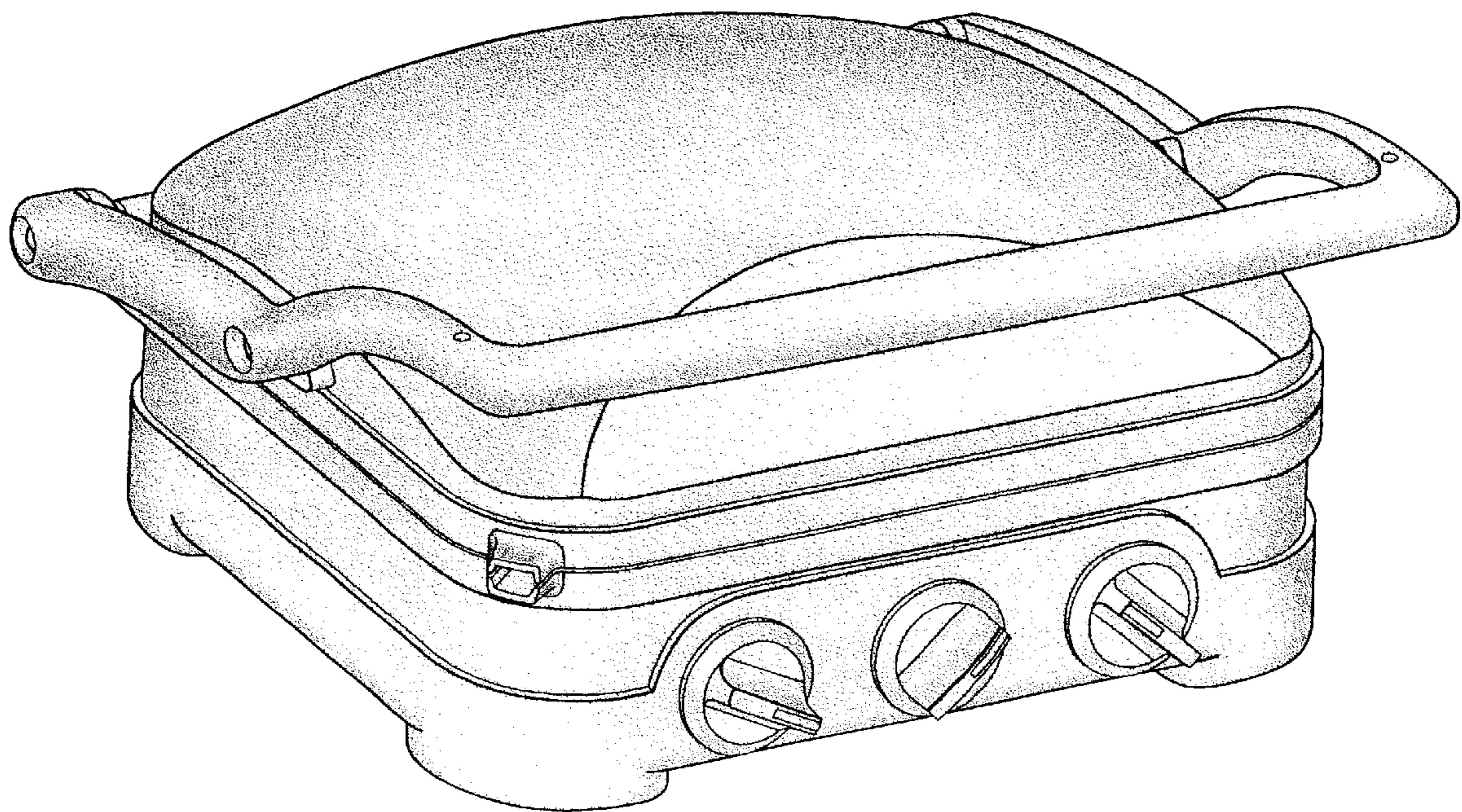


FIG. 1

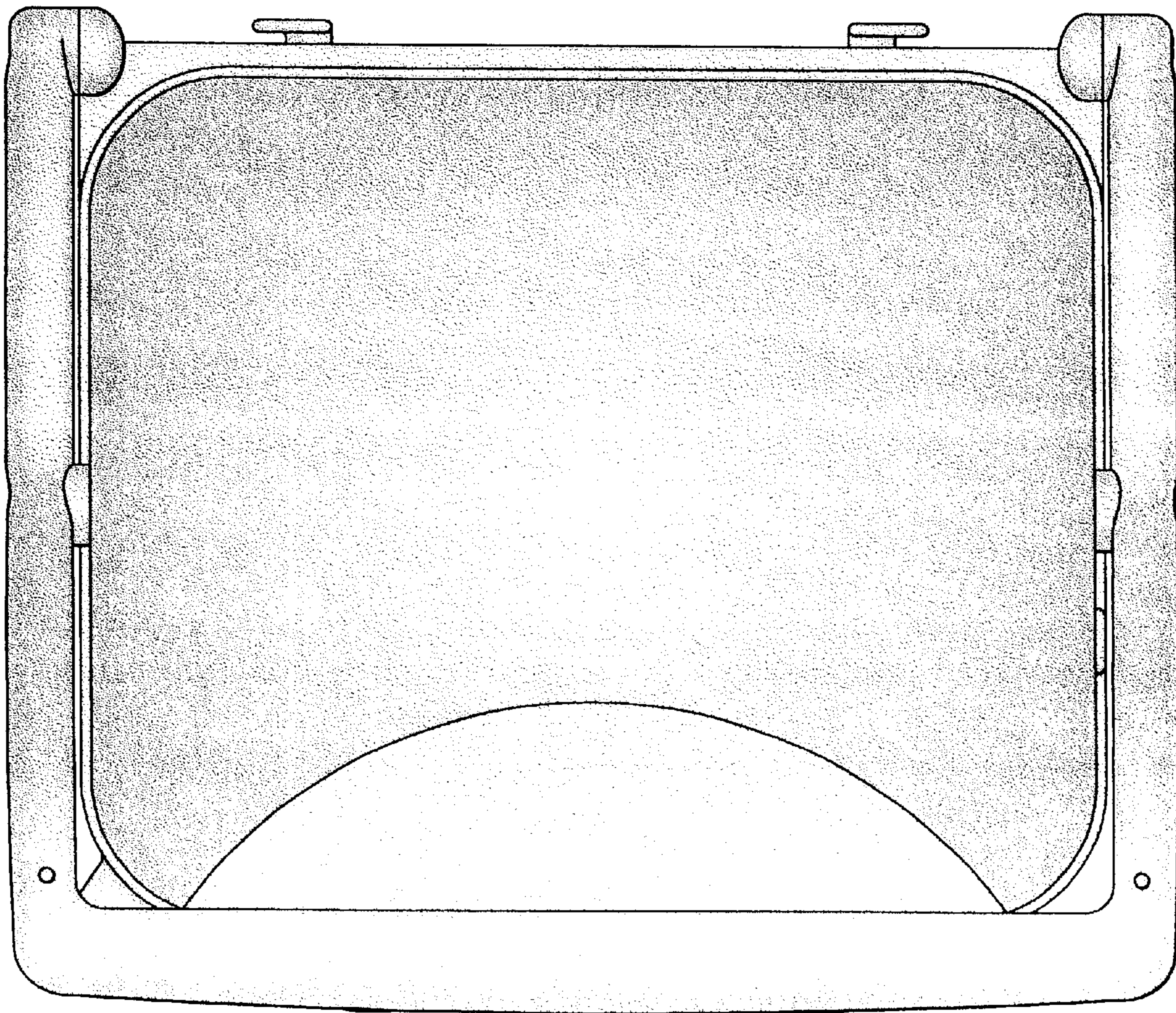


FIG. 2

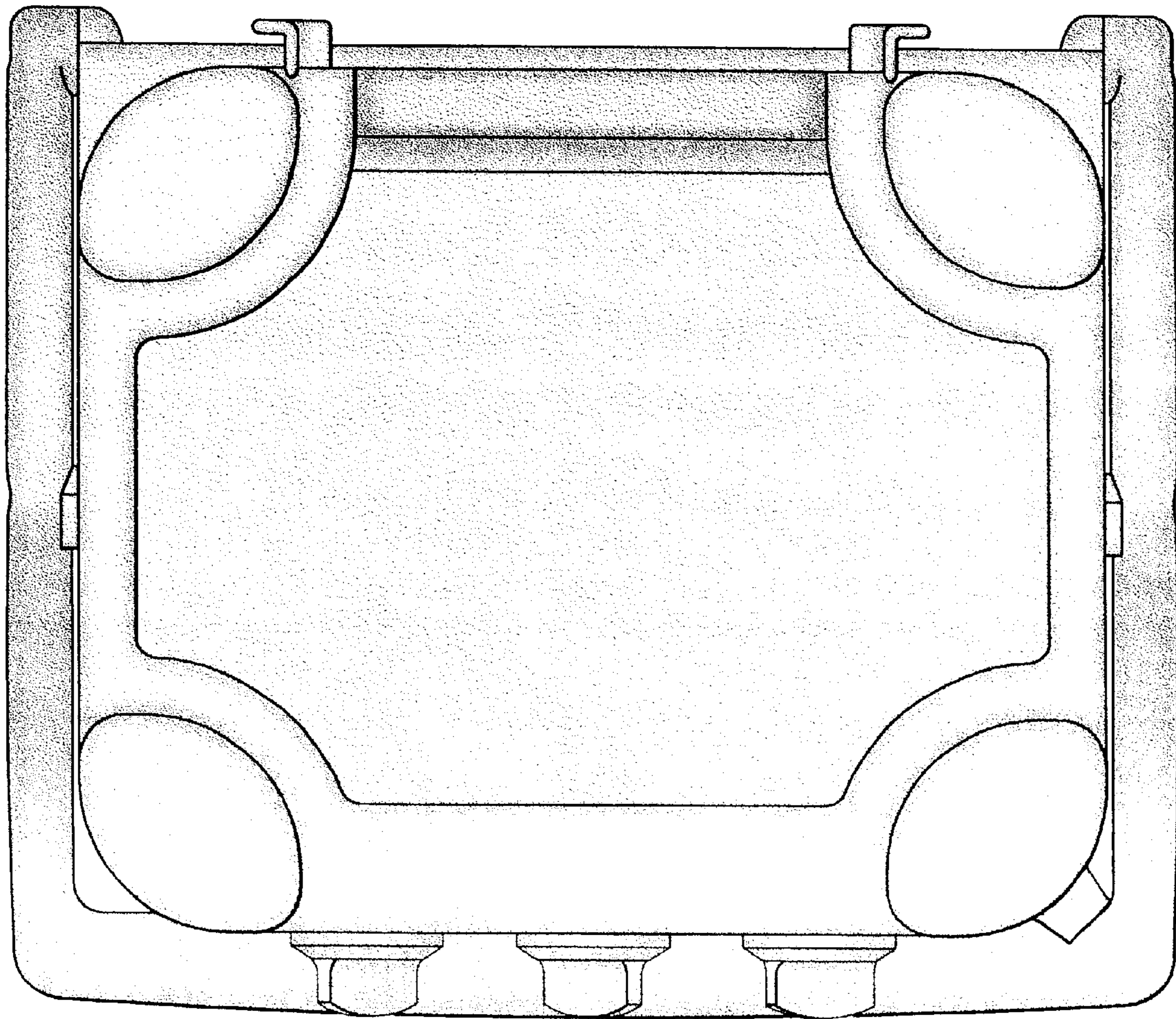


FIG. 3

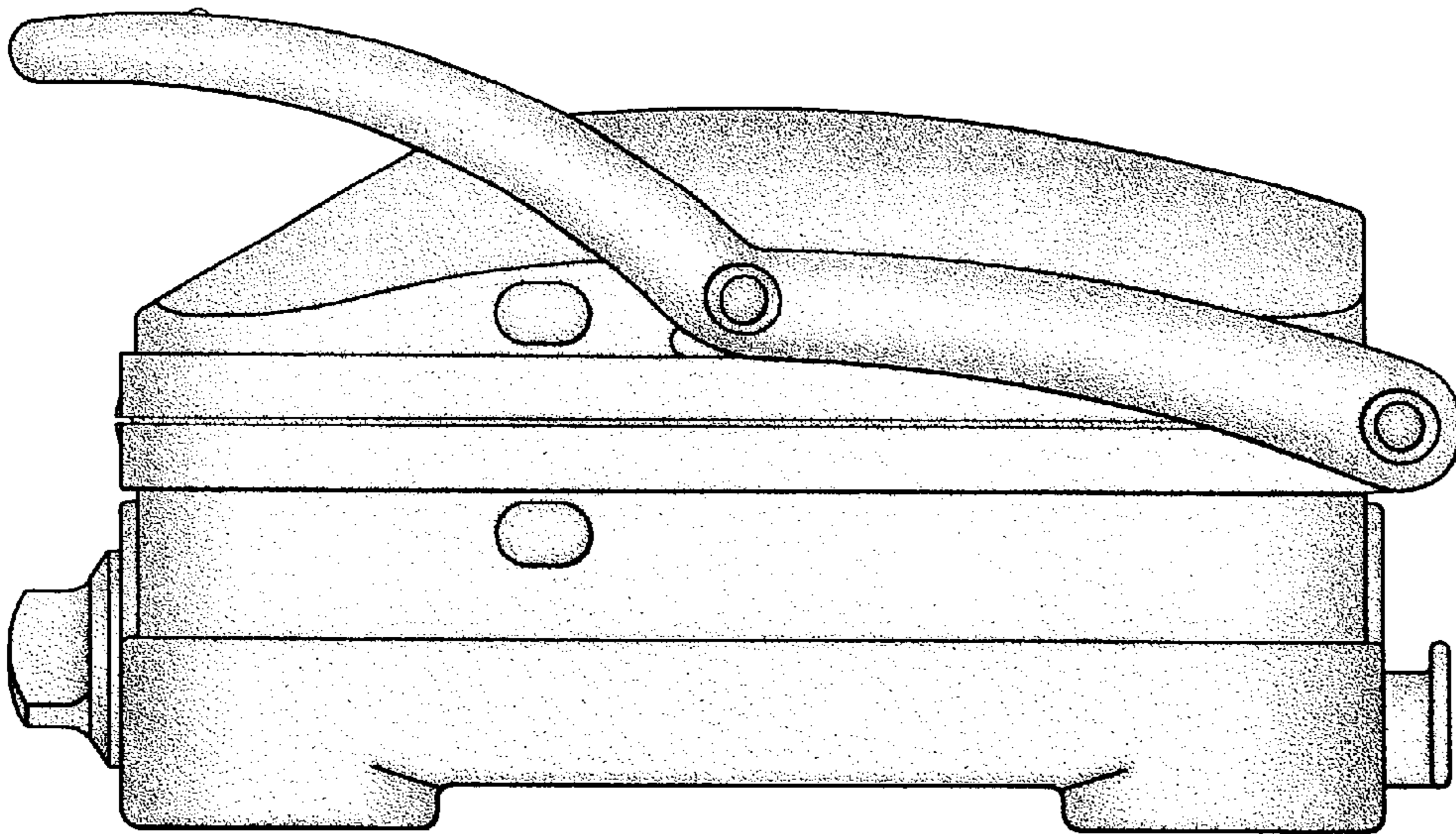


FIG. 4

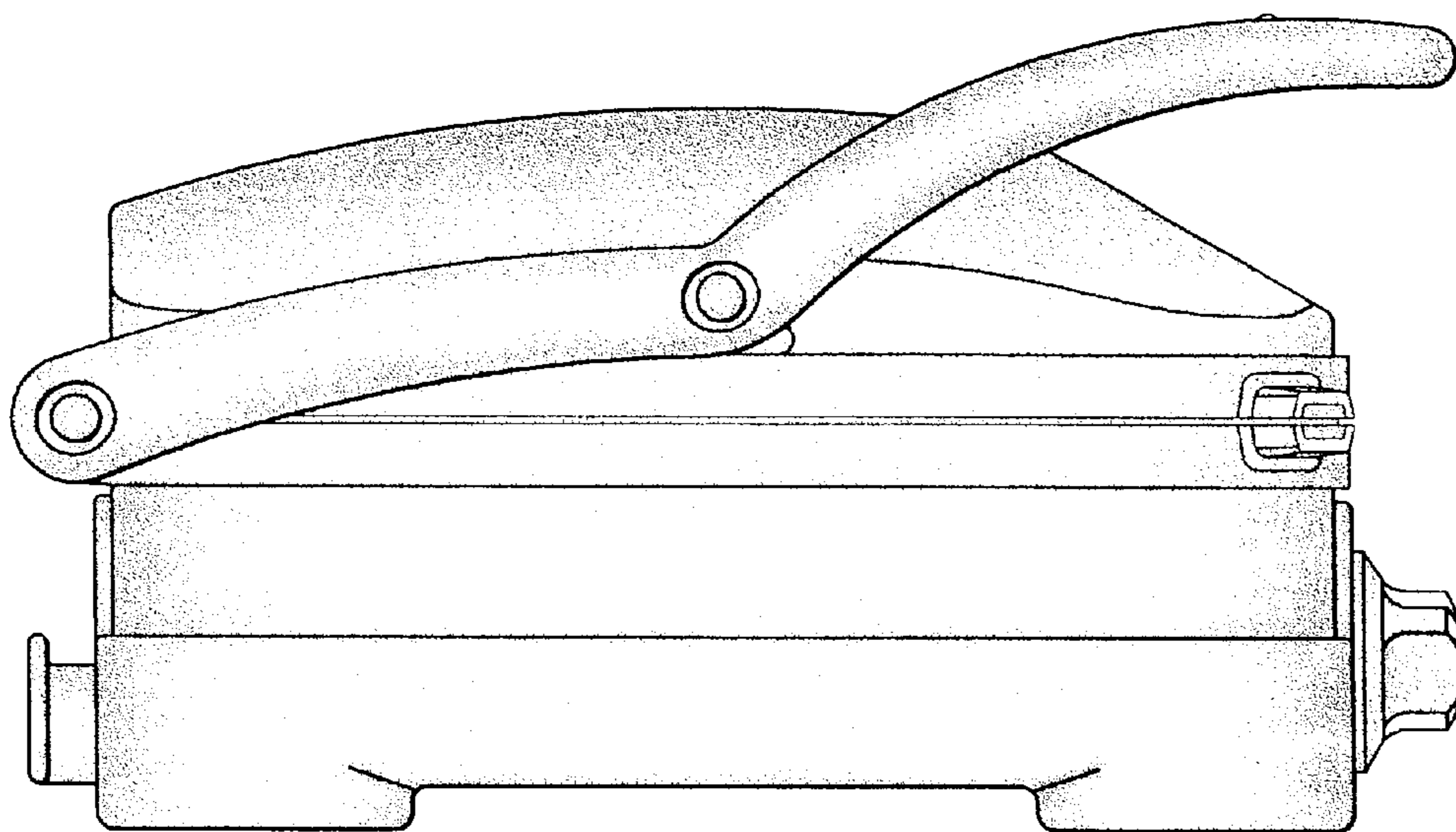


FIG. 5

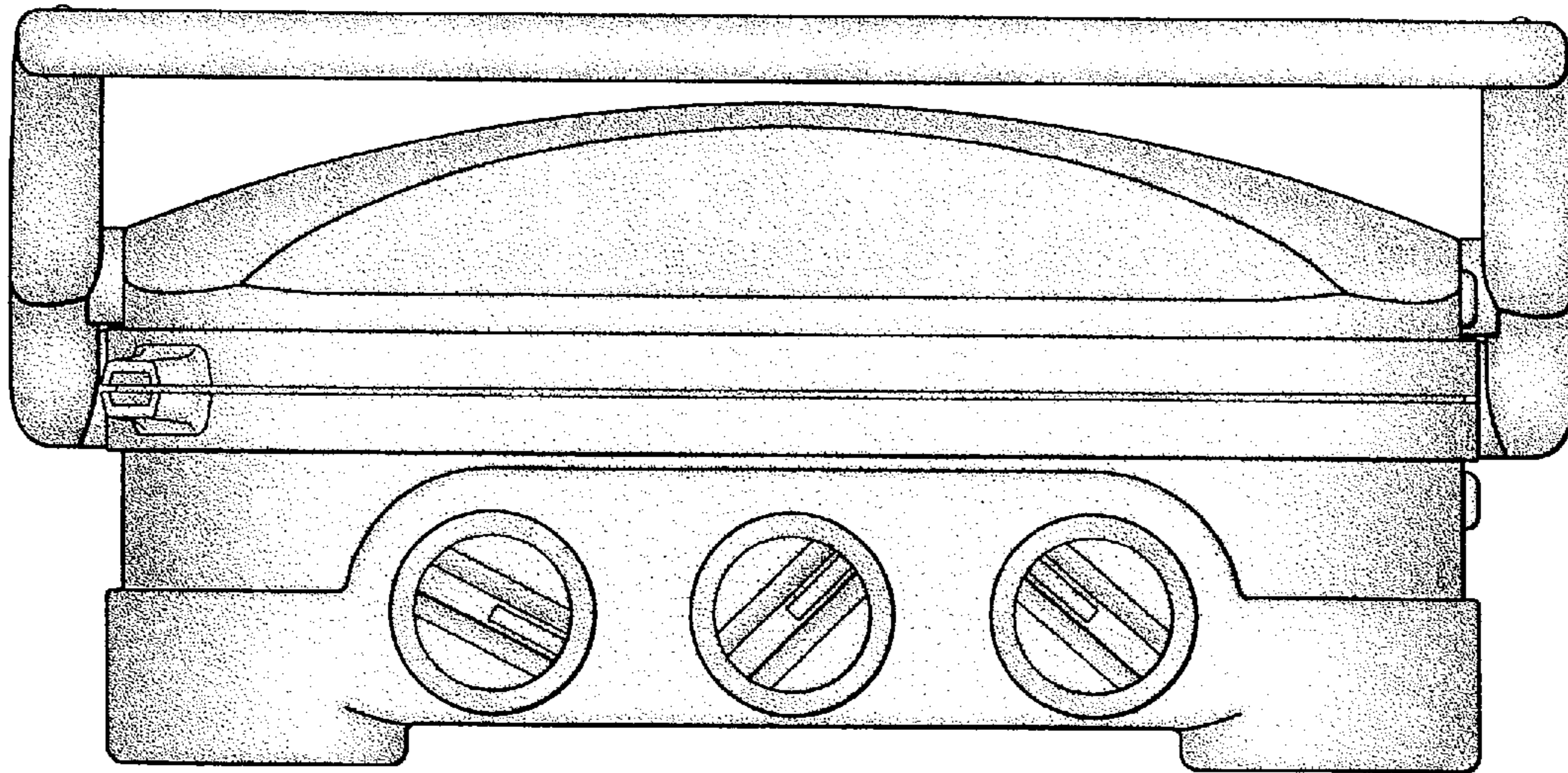


FIG. 6

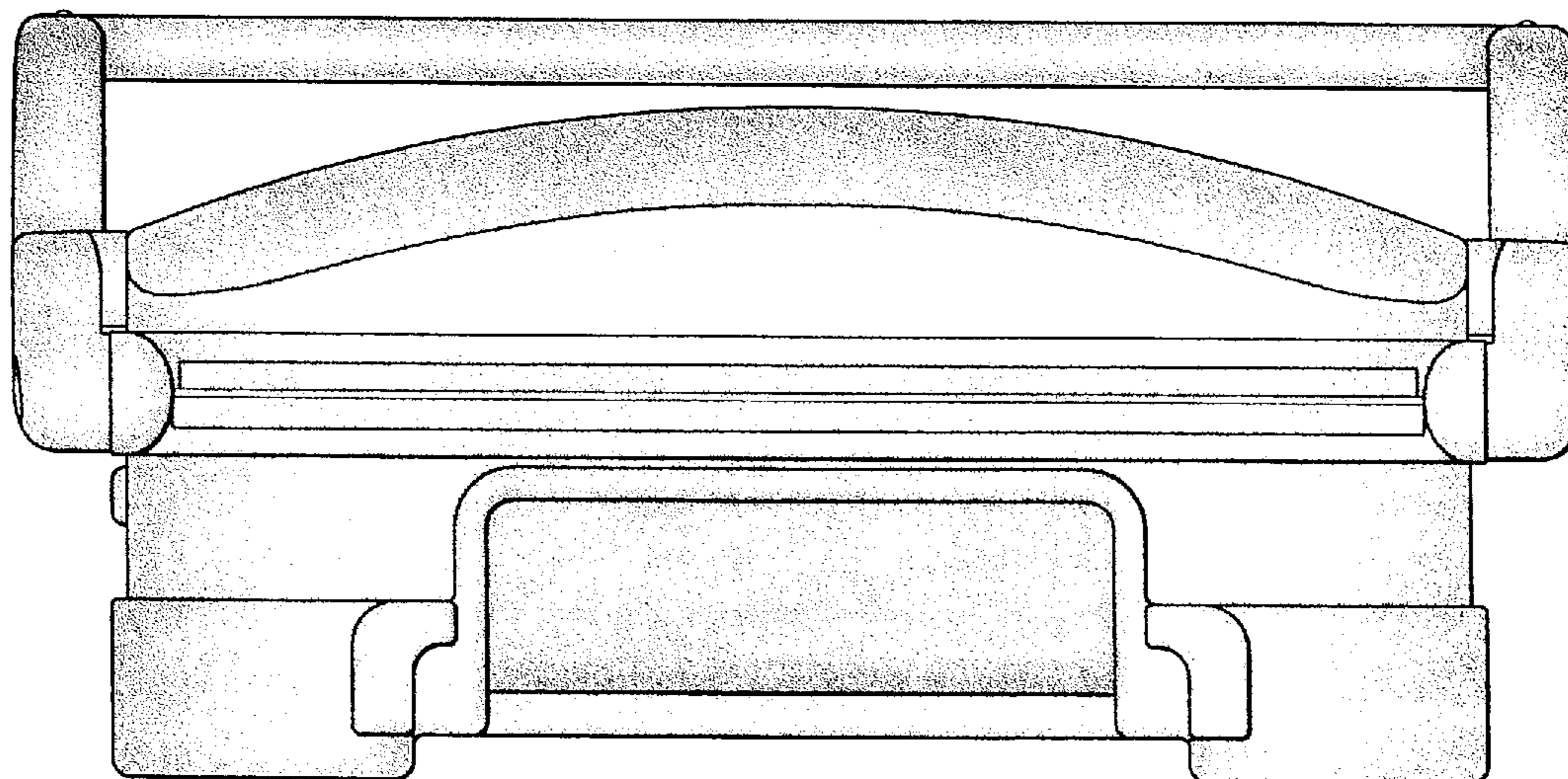


FIG. 7