

US00D507928S

(12) **United States Design Patent**
Martin et al.

(10) **Patent No.:** **US D507,928 S**
(45) **Date of Patent:** **** Aug. 2, 2005**

(54) **WHEELED OVEN**

(75) Inventors: **Cheryl A. Martin**, Watertown, WI (US); **Steven R. Walczak**, Hales Corners, WI (US)

(73) Assignee: **Phoenix International, Inc.**, Milwaukee, WI (US)

(**) **Term:** **14 Years**

(21) **Appl. No.:** **29/191,102**

(22) **Filed:** **Oct. 1, 2003**

Related U.S. Application Data

(62) Division of application No. 29/164,759, filed on Jul. 30, 2002.

(51) **LOC (8) Cl.** **07-02**

(52) **U.S. Cl.** **D7/348**

(58) **Field of Search** D7/347-348, 339, D7/332-337, 402-404; 126/19 M, 275 R, 275 E, 276; 219/391; D34/15, 24-25, 12; 280/DIG. 6

(56) **References Cited**

U.S. PATENT DOCUMENTS

- D151,008 S * 9/1948 Rycraft D34/15
- D157,597 S * 3/1950 Huber D34/26
- D238,299 S 12/1975 Klemm
- 4,050,708 A 9/1977 Samardzija et al.
- D270,772 S * 9/1983 Radencic D34/15
- D293,997 S * 2/1988 Doyon et al. D7/348

- D297,579 S * 9/1988 Bateham D34/26
- D303,028 S * 8/1989 Lee D34/15
- D321,964 S * 11/1991 Alterbaum D34/15
- 5,071,147 A 12/1991 Stansbury
- D335,736 S 5/1993 Isom
- D357,781 S 4/1995 Crinion
- D391,033 S * 2/1998 Harris D34/25
- D393,131 S * 3/1998 Scandalis D34/24
- D414,649 S * 10/1999 King D7/339
- 6,036,204 A 3/2000 Craft et al.
- 6,073,944 A 6/2000 Moore
- 6,222,159 B1 4/2001 Healy
- D442,756 S * 5/2001 Jarvis et al. D34/19
- 6,460,867 B2 * 10/2002 Sciulli 280/47.26

* cited by examiner

Primary Examiner—Ruth McInroy

(74) *Attorney, Agent, or Firm*—Quarles & Brady LLP

(57) **CLAIM**

The ornamental design for a wheeled oven, as shown and described.

DESCRIPTION

FIG. 1 is a perspective view of a wheeled oven according to our new design;

FIG. 2 is a left side elevational view thereof;

FIG. 3 is a back elevational view thereof;

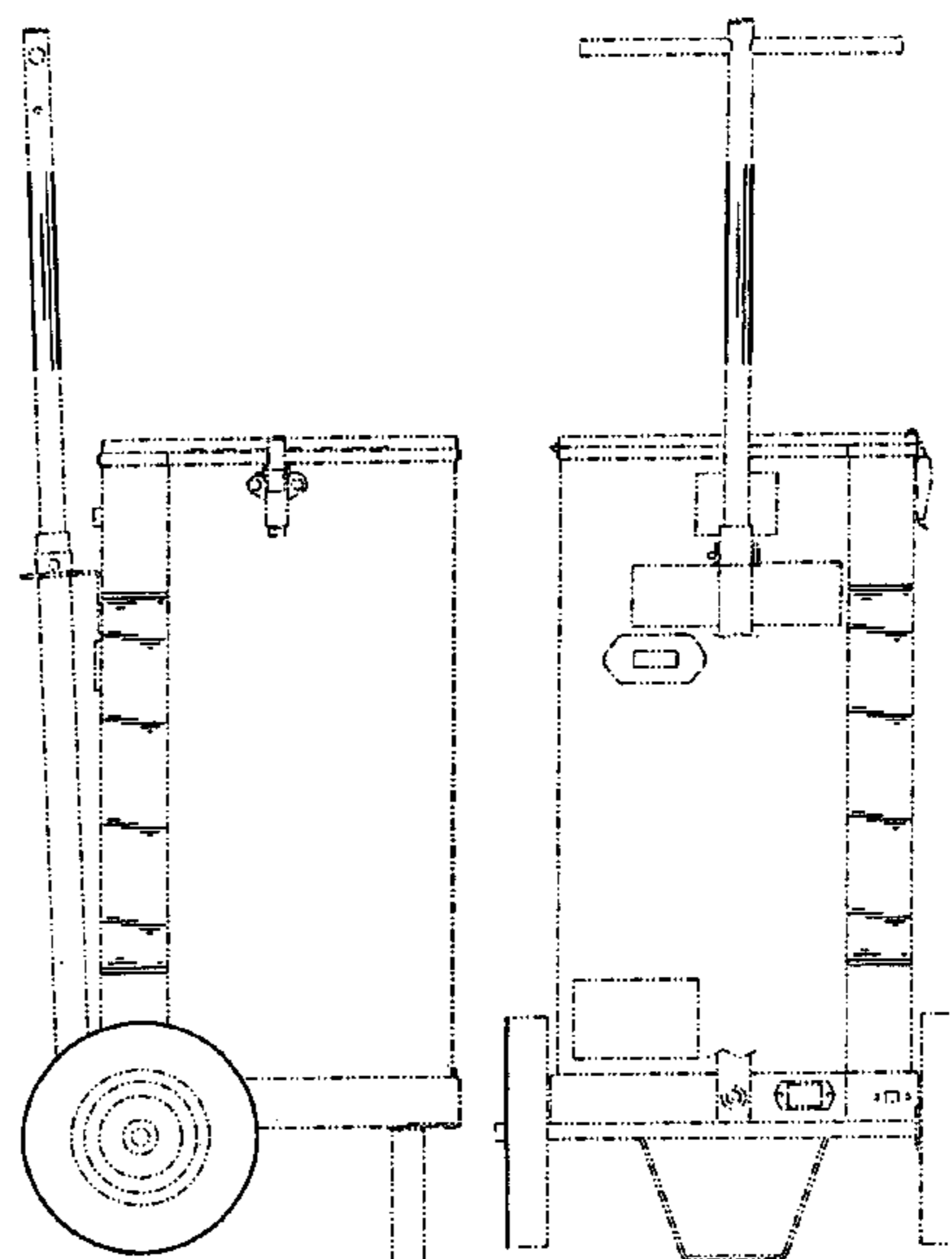
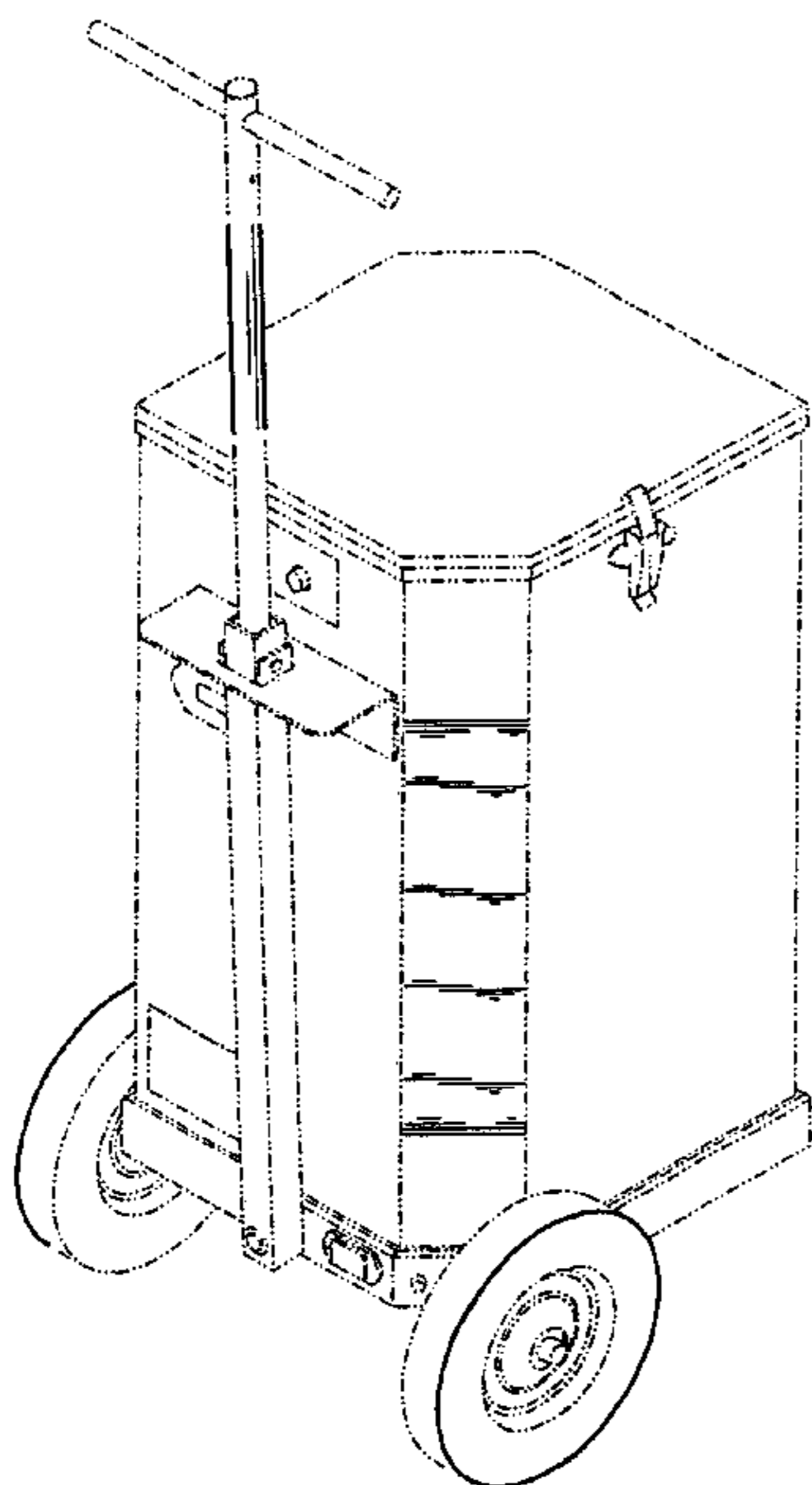
FIG. 4 is a front elevational view thereof;

FIG. 5 is a right side elevational view thereof; and,

FIG. 6 is a top view thereof.

The details shown in broken lines form no part of the claimed design.

1 Claim, 4 Drawing Sheets



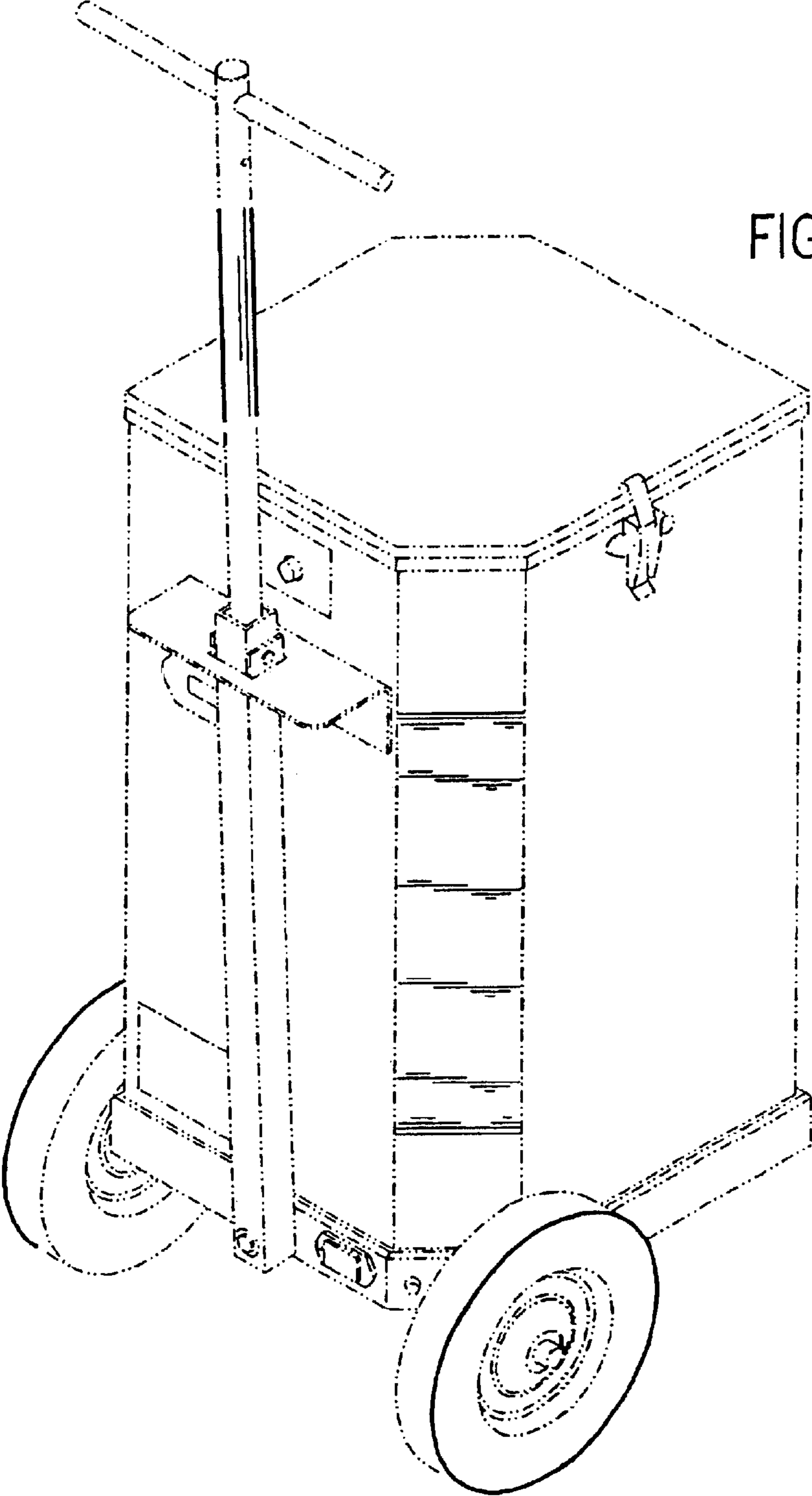


FIG. 1

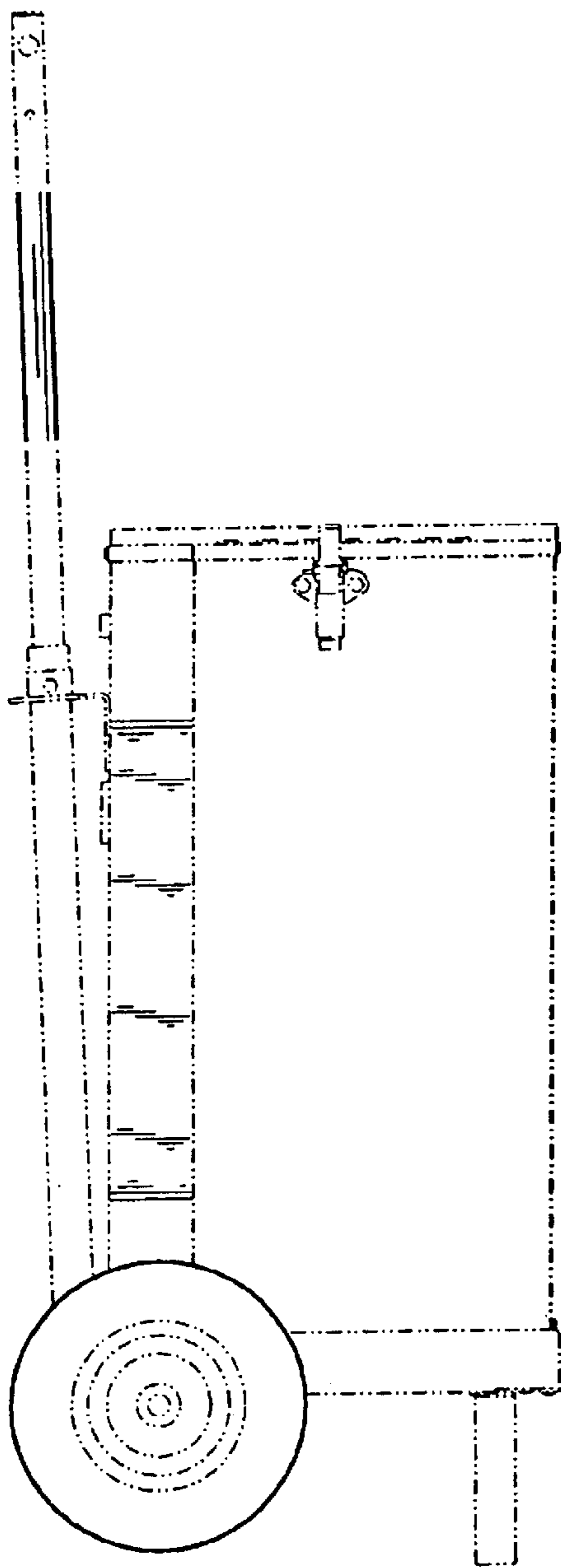


FIG. 2

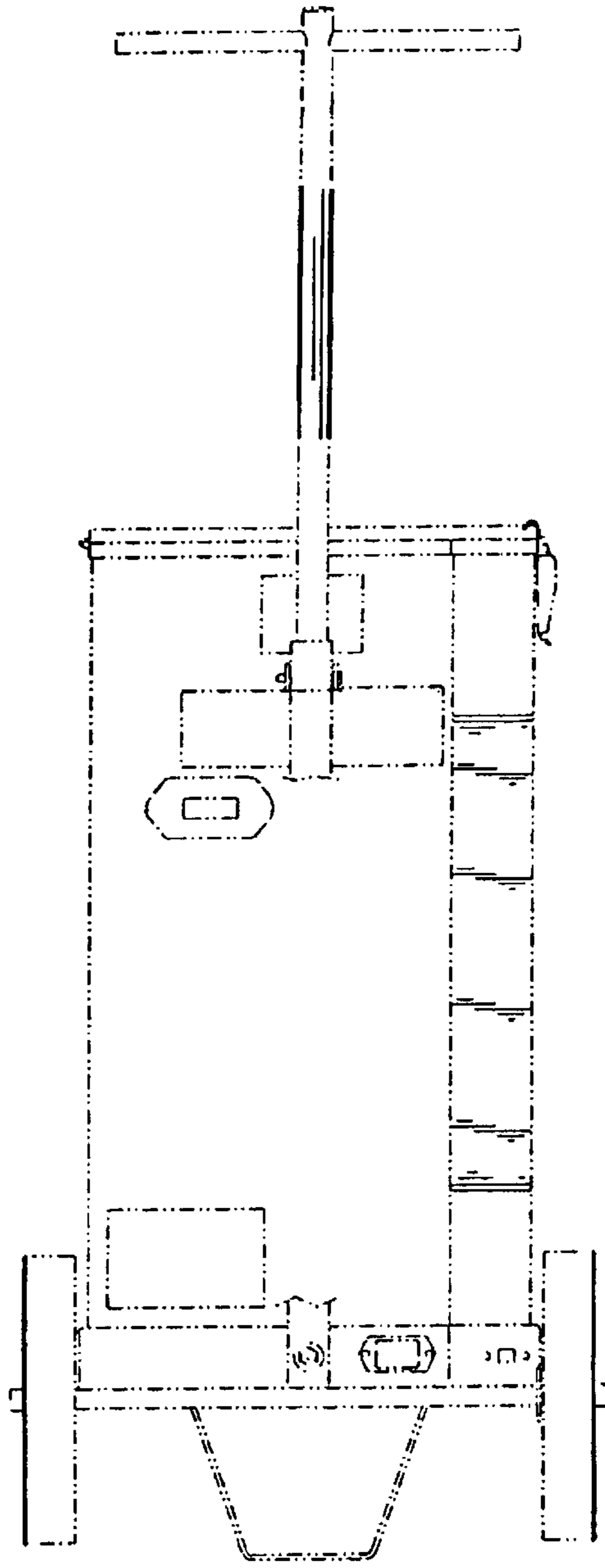


FIG. 3

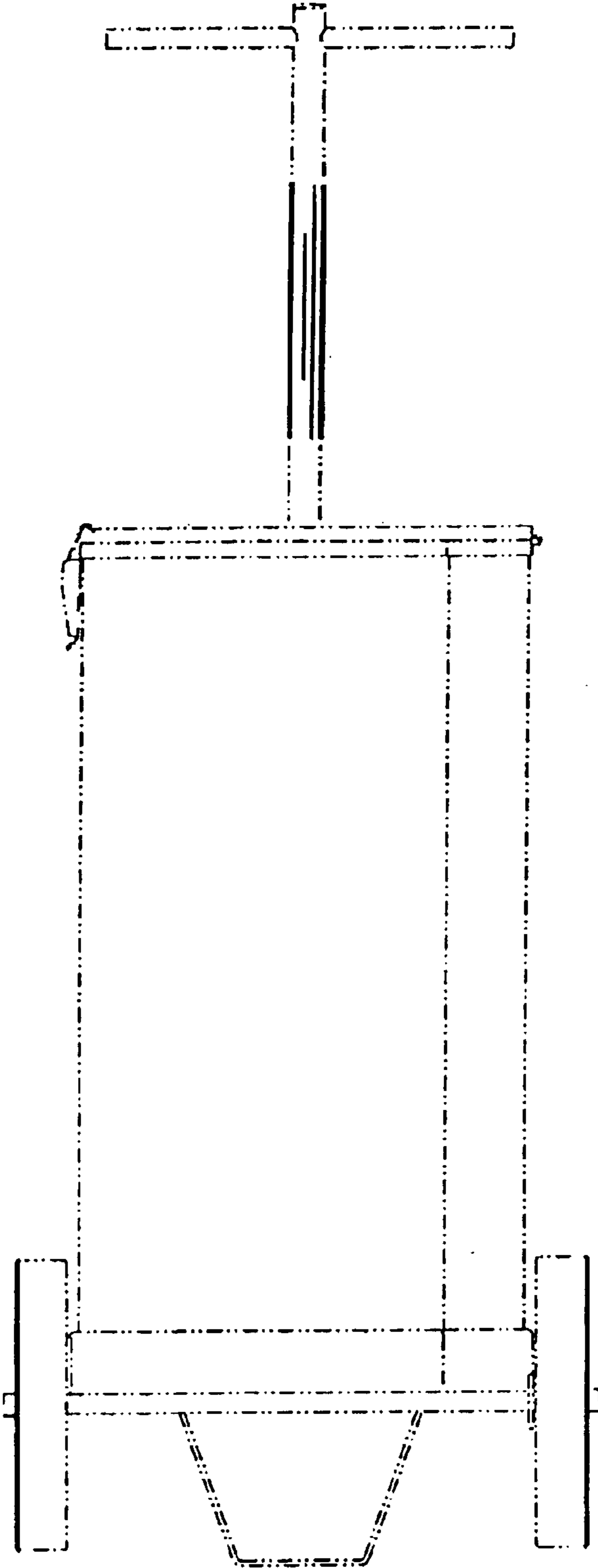


FIG. 4

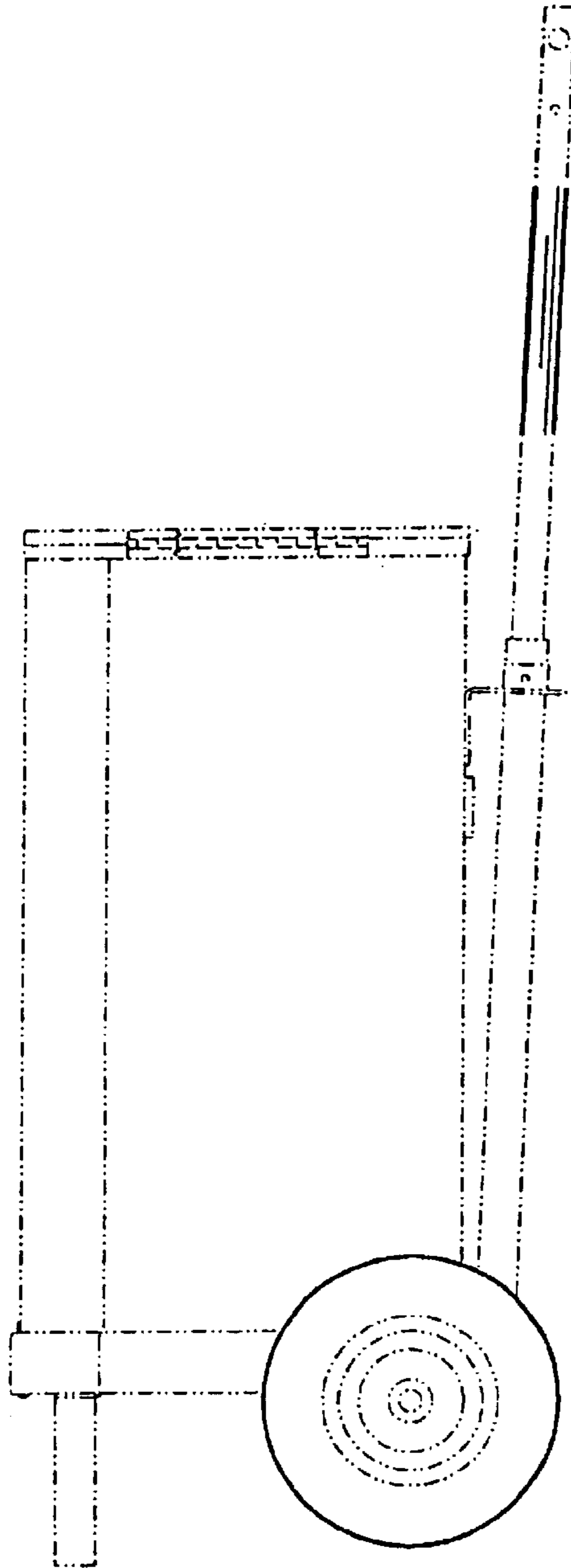


FIG. 5

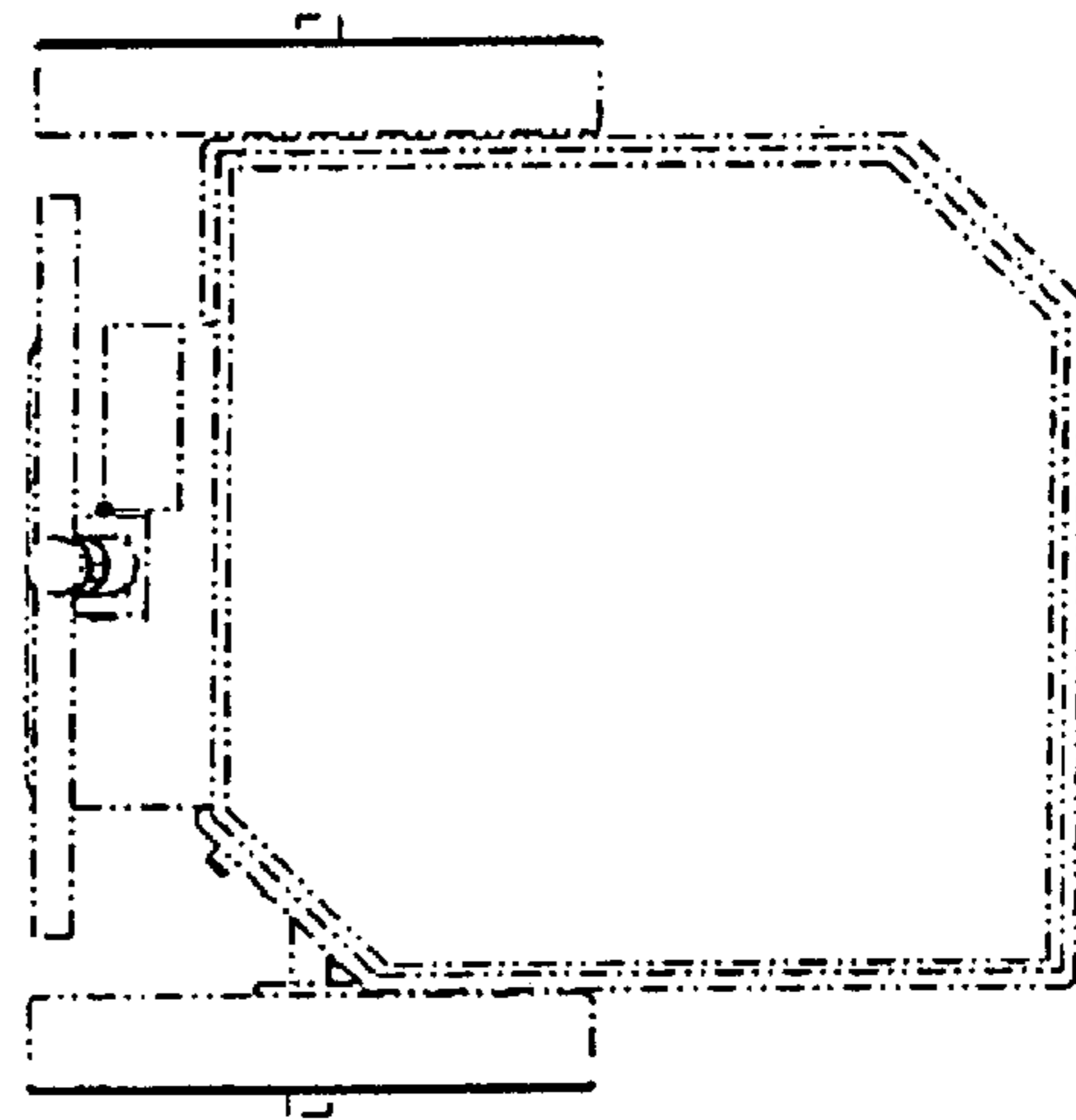


FIG. 6