

US00D507926S

(12) **United States Design Patent**  
**Zhang**

(10) **Patent No.:** **US D507,926 S**  
(45) **Date of Patent:** **\*\* Aug. 2, 2005**

(54) **BARBEQUE GRILL COOKING APPARATUS**

(76) **Inventor:** **S. R. Zhang**, Block 6, Lakepoint Drive  
#03-38, Singapore (SG), 648925

(\*\*) **Term:** **14 Years**

(21) **Appl. No.:** **29/183,454**

(22) **Filed:** **Jun. 10, 2003**

(51) **LOC (8) Cl.** ..... **07-02**

(52) **U.S. Cl.** ..... **D7/334**

(58) **Field of Search** ..... D7/332, 334-337,  
D7/402-405; 126/25 R, 25 A, 25 AA, 40,  
41 R, 38-39 R, 50, 304 R, 305, 9 R, 19 M,  
245; 108/115; 99/450; 248/129, 188.6,  
250, 439

(56) **References Cited**

**U.S. PATENT DOCUMENTS**

D295,135 S	*	4/1988	Ogden	.....	D7/334
5,036,832 A	*	8/1991	Schlosser et al.	.....	126/243
D435,387 S	*	12/2000	Pai	.....	D7/334
D460,657 S	*	7/2002	Bossler	.....	D7/334
D464,524 S	*	10/2002	Pai	.....	D7/334

D469,650 S	*	2/2003	Pai	.....	D7/334
D471,056 S	*	3/2003	Pai	.....	D7/334
D471,754 S	*	3/2003	Pai	.....	D7/332
D478,245 S	*	8/2003	Zhu	.....	D7/332
D485,116 S	*	1/2004	Kwok	.....	D7/334
6,684,876 B2	*	2/2004	Bossler	.....	126/25 R

\* cited by examiner

*Primary Examiner*—Ruth McInroy

(74) *Attorney, Agent, or Firm*—Leonard Tachner

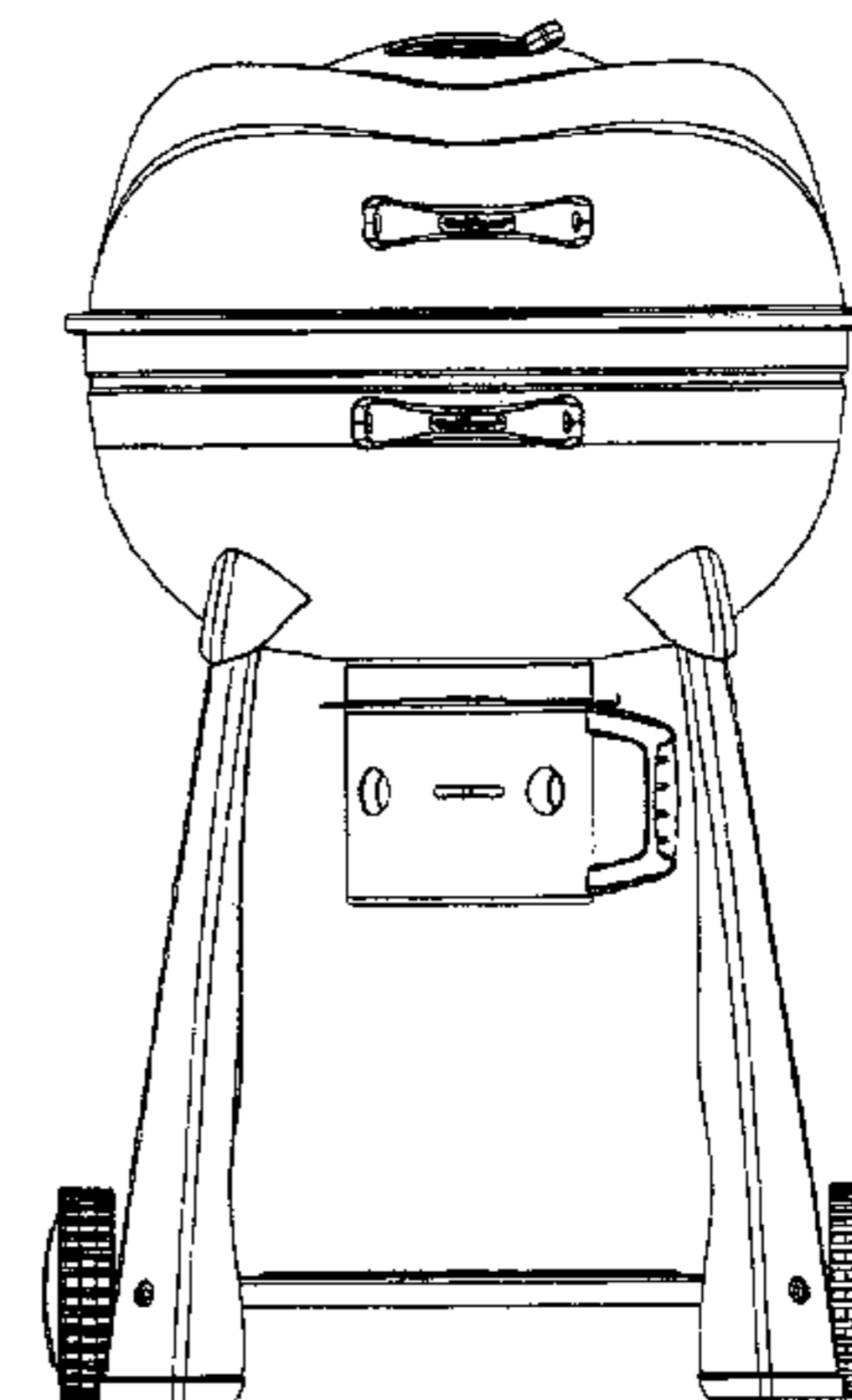
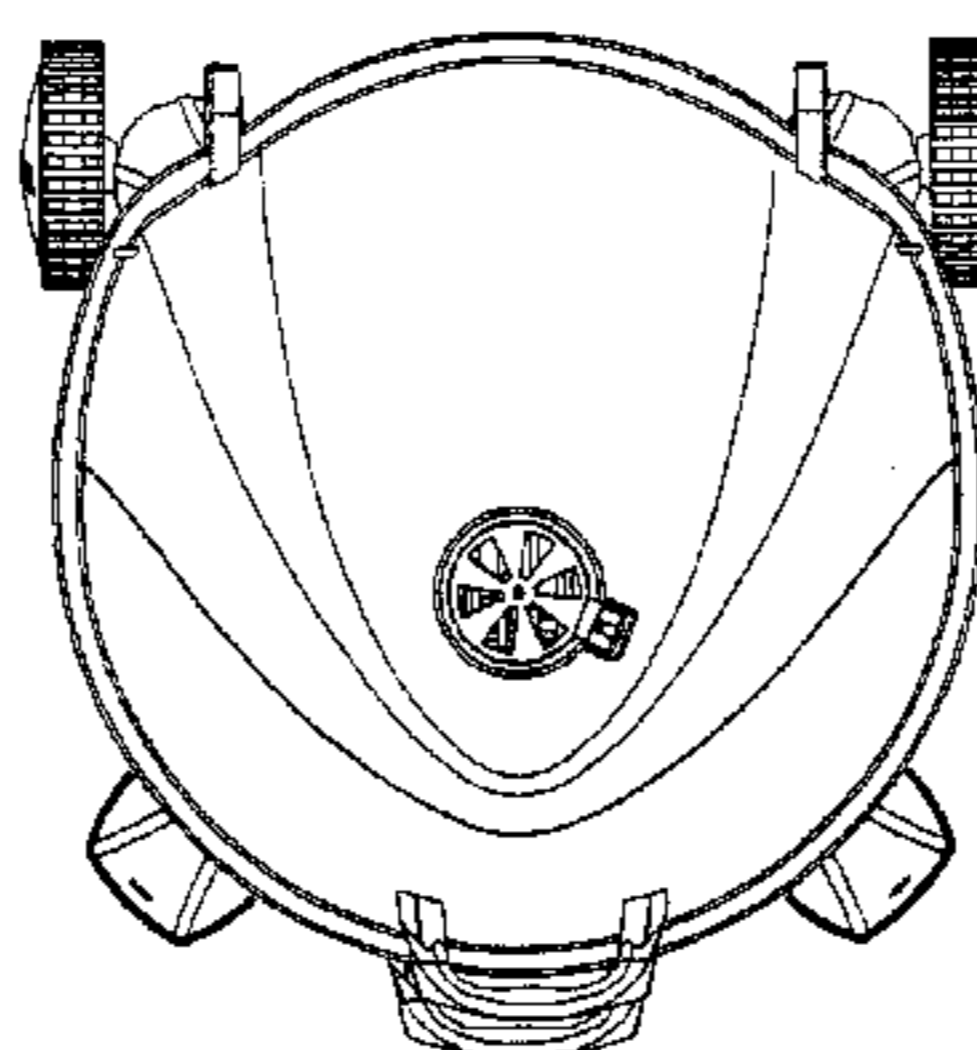
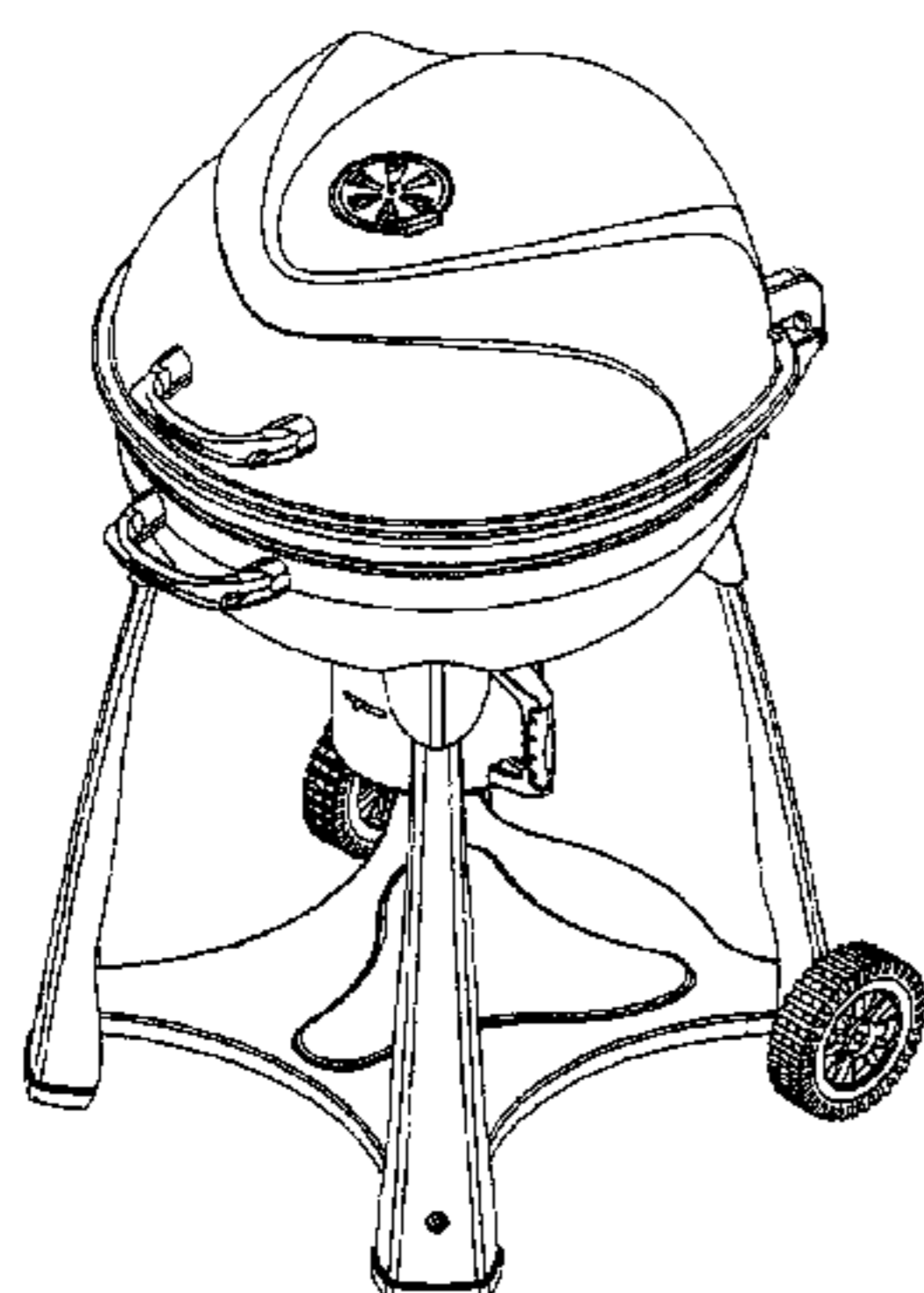
(57) **CLAIM**

The ornamental design for a “barbeque grill cooking apparatus”, as shown and described.

**DESCRIPTION**

FIG. 1 is a perspective view of a barbeque grill cooking apparatus showing my new design;  
FIG. 2 is a top view thereof;  
FIG. 3 is a bottom view thereof;  
FIG. 4 is a right side view thereof;  
FIG. 5 is a left side view thereof;  
FIG. 6 is a front view thereof; and,  
FIG. 7 is a rear view thereof.

**1 Claim, 7 Drawing Sheets**



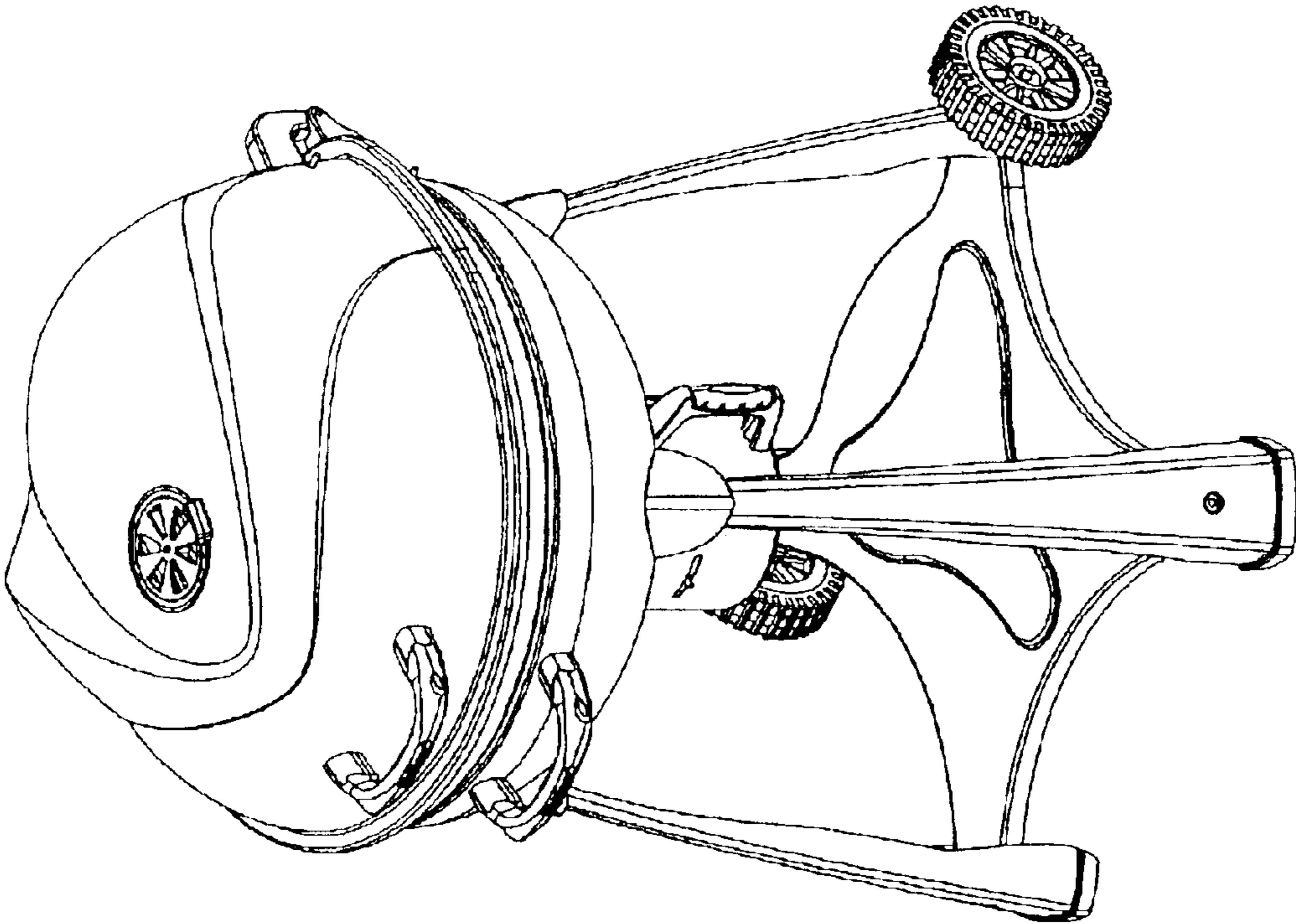


FIG. 1

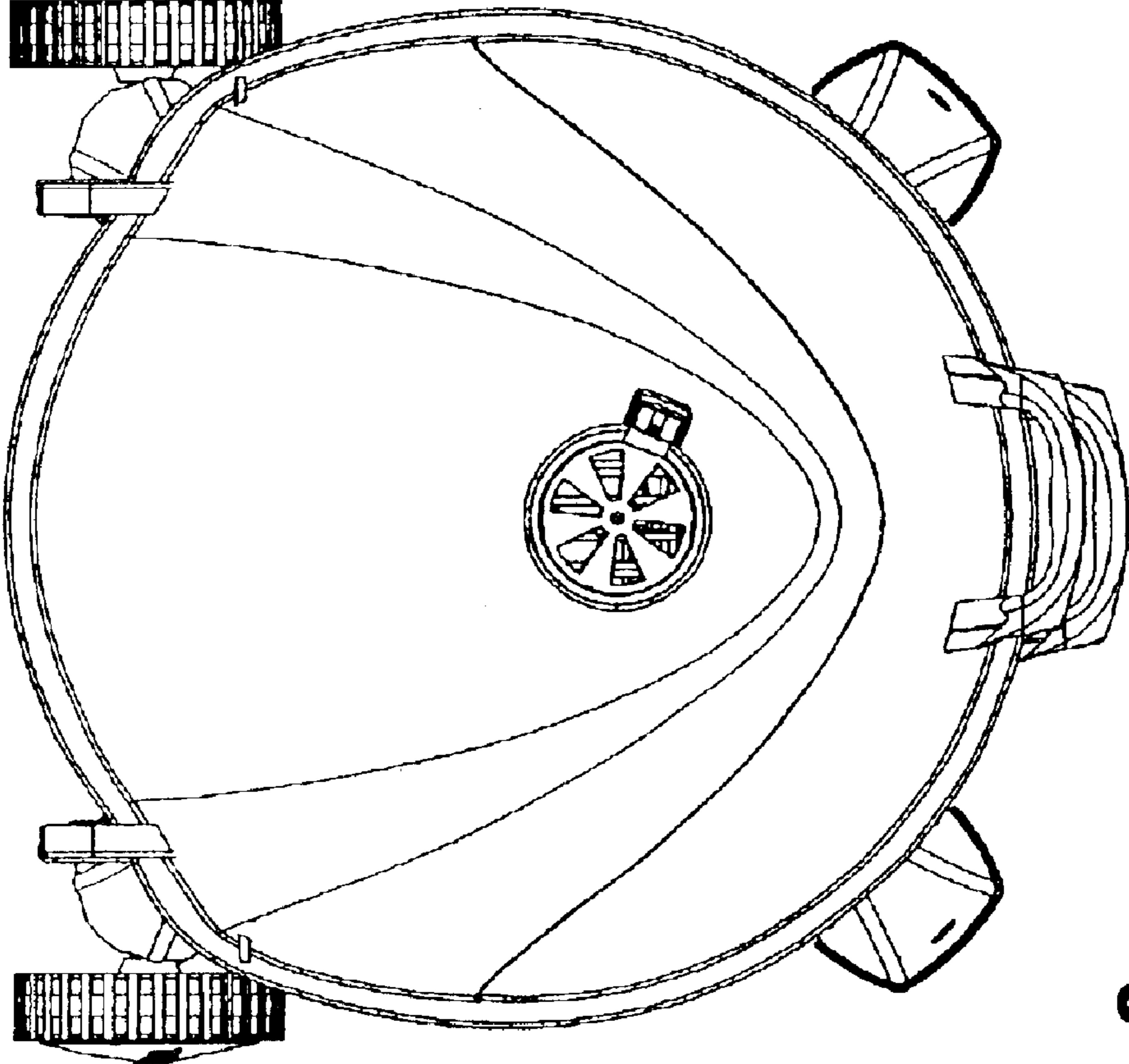


FIG. 2

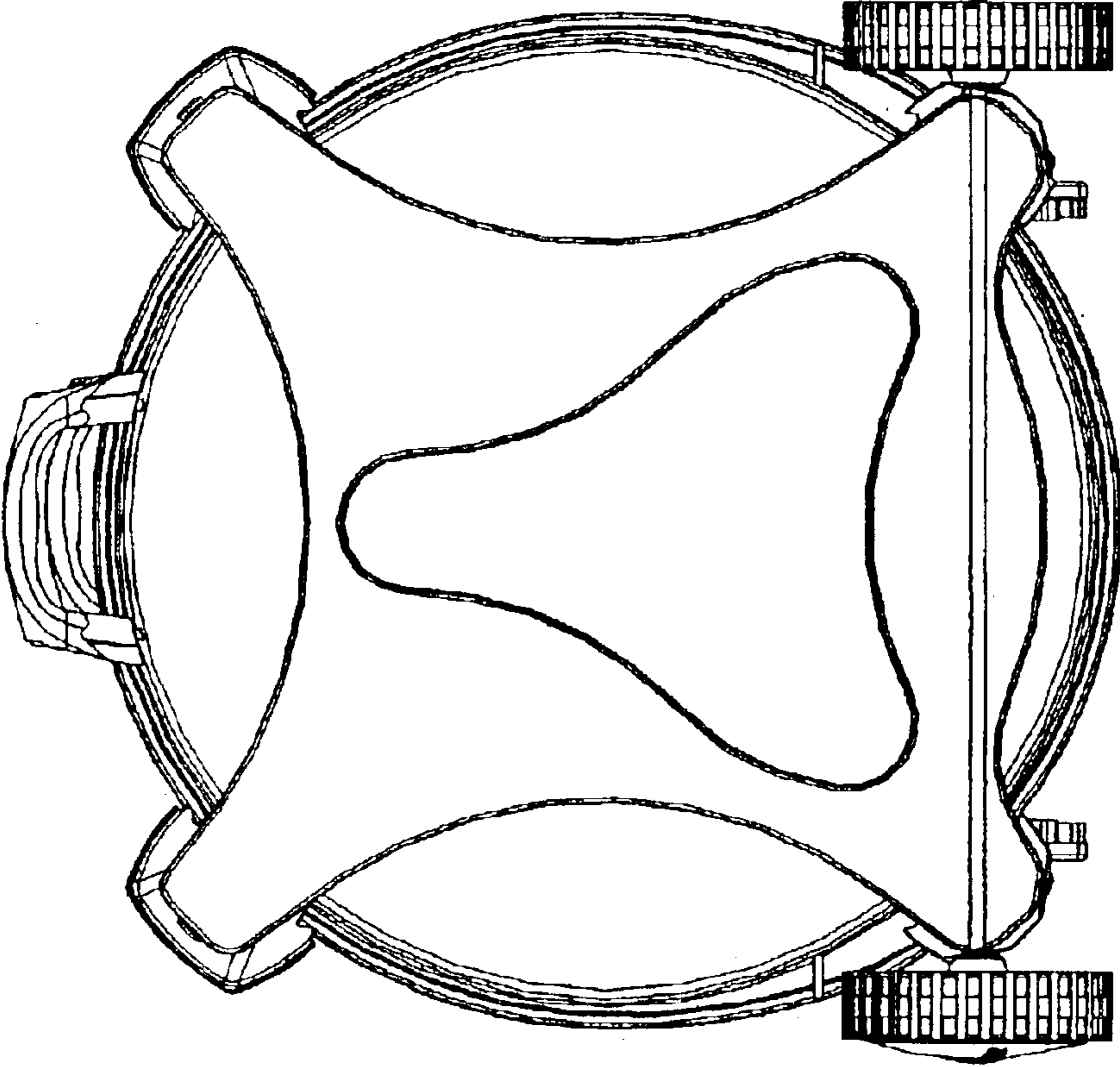


FIG. 3

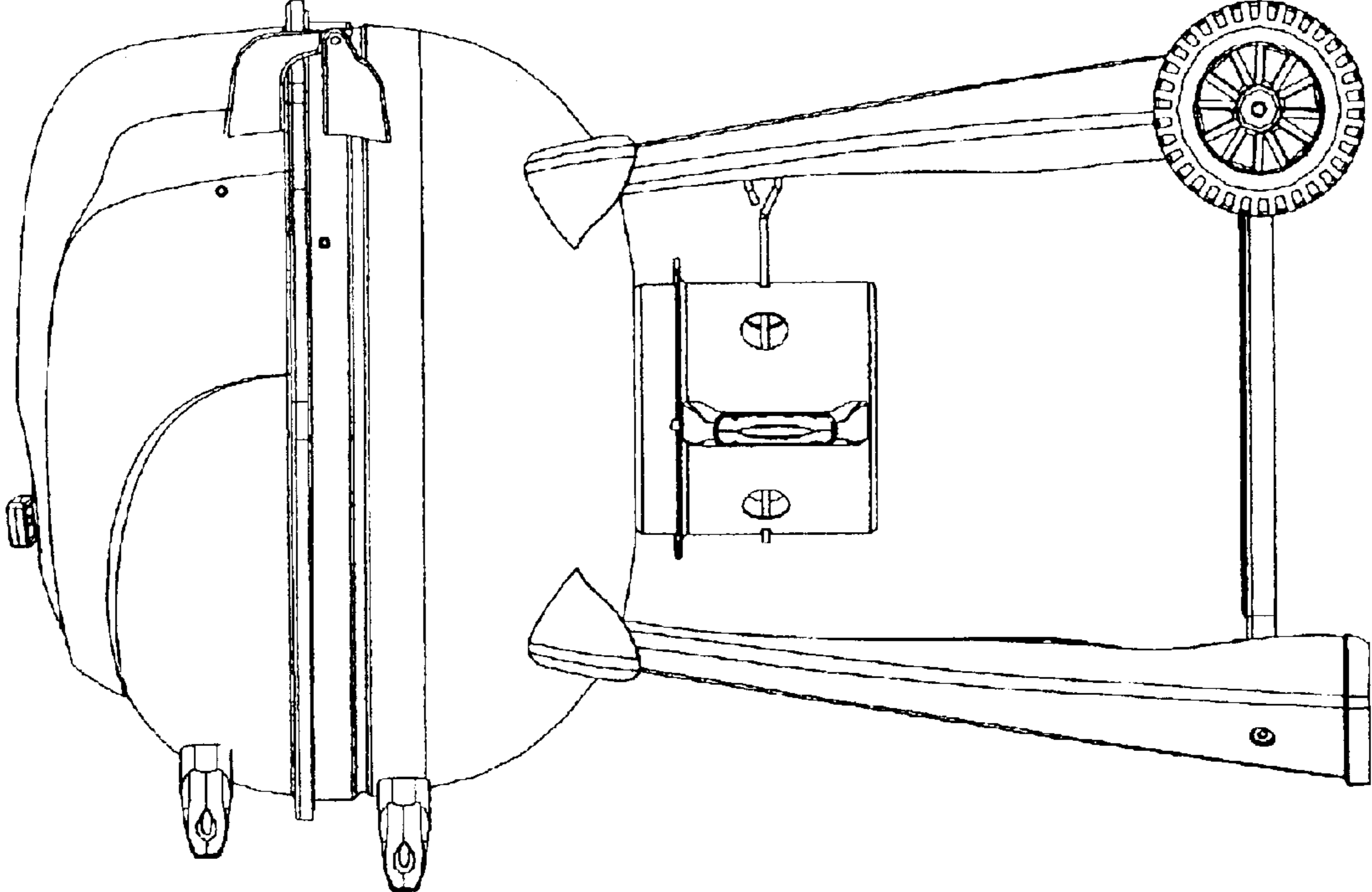


FIG. 4

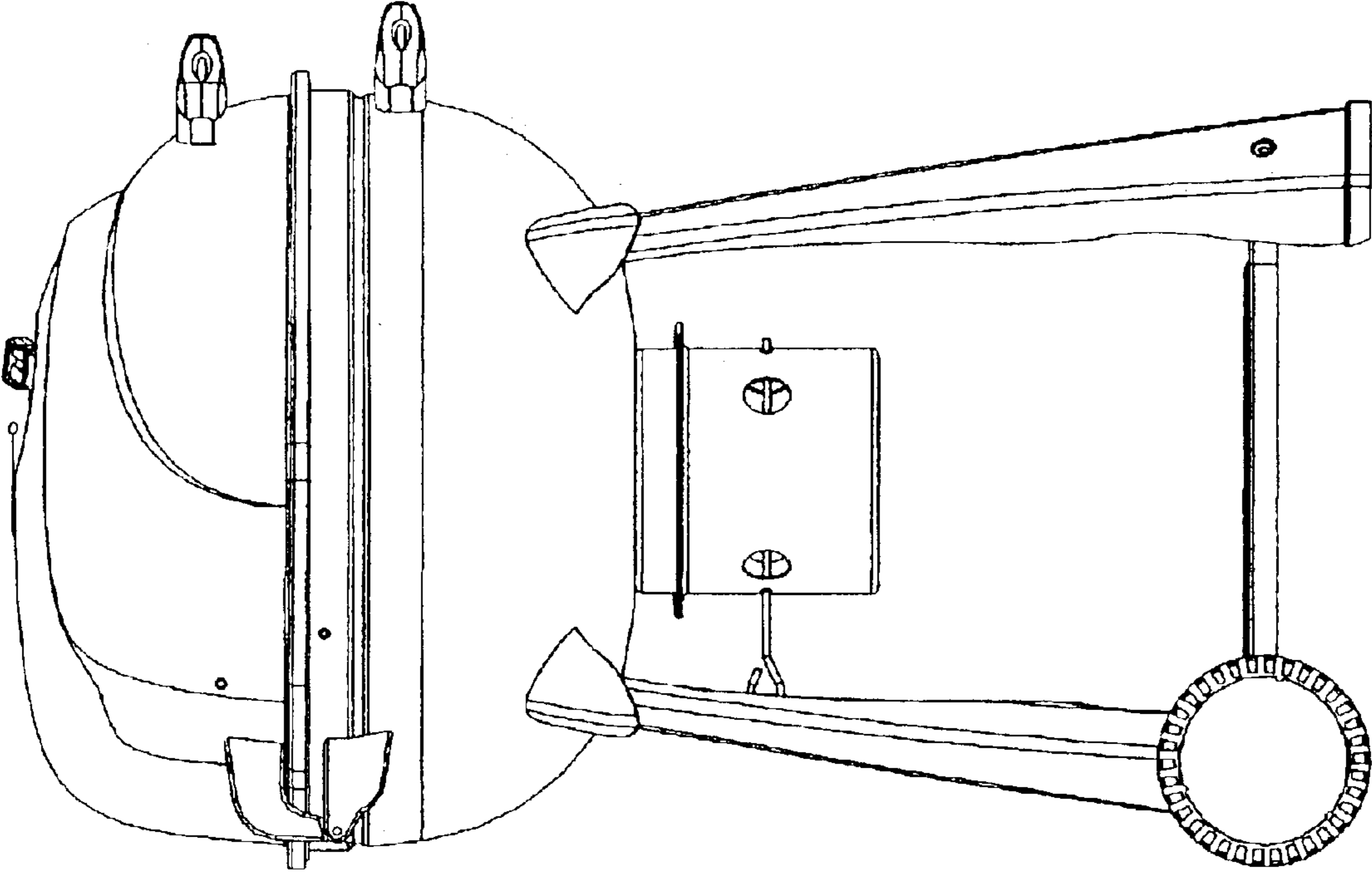


FIG. 5

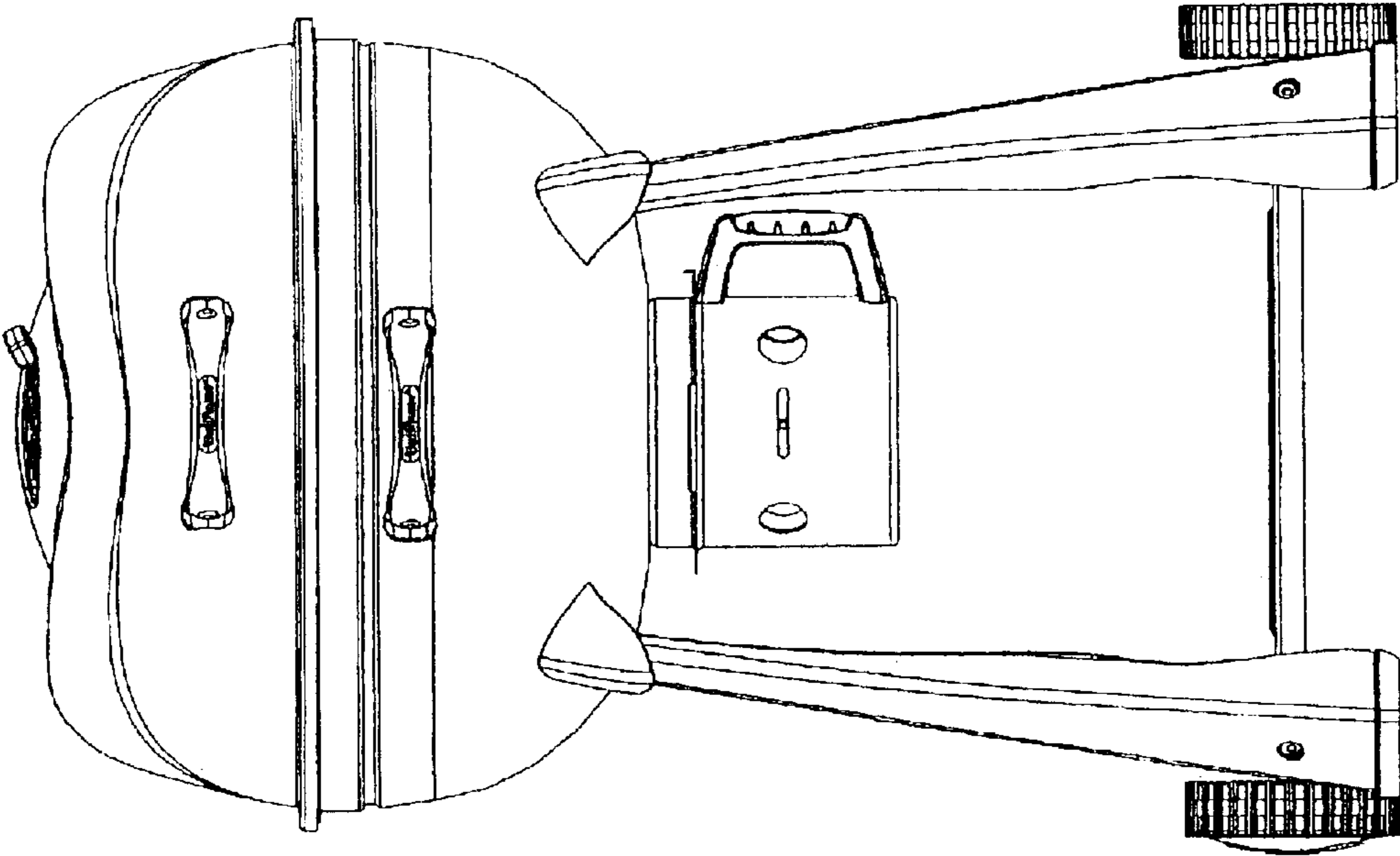


FIG. 6

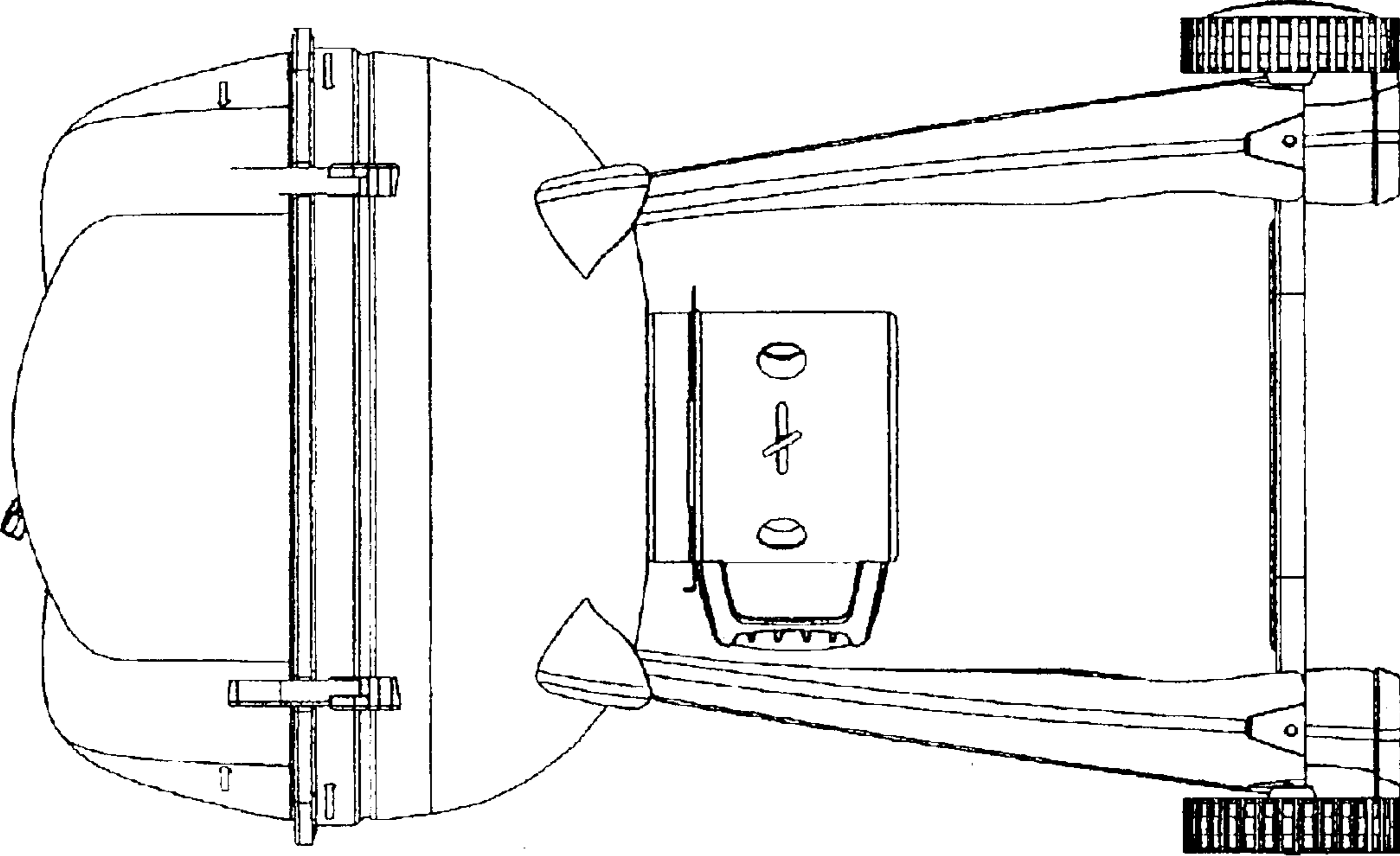


FIG. 7