

US00D507925S

(12) **United States Design Patent**
Essig, Jr. et al.

(10) **Patent No.:** **US D507,925 S**
(45) **Date of Patent:** **** Aug. 2, 2005**

(54) **SOLAR COOKER WITH FLYING SAUCER SHAPE**

3,938,497 A * 2/1976 Andrassy 126/682
4,125,109 A * 11/1978 Erwin 126/681
4,203,427 A * 5/1980 Way, Jr. 126/681

(76) Inventors: **John Raymond Essig, Jr.**, P.O. Box 3333, Fairfax, VA (US) 22038-3333;
James Michael Essig, 3500 Burrows Ave., Fairfax, VA (US) 22030

* cited by examiner

Primary Examiner—Catherine R. Oliver

(**) **Term:** **14 Years**

(57) **CLAIM**

(21) **Appl. No.:** **29/171,800**

The ornamental design for a solar cooker with flying saucer shape, as shown and described.

(22) **Filed:** **Nov. 29, 2002**

DESCRIPTION

(51) **LOC (8) Cl.** **07-02**

FIG. 1 is a perspective view of the solar cooker with flying saucer shape showing our new design

(52) **U.S. Cl.** **D7/324**

FIG. 2 is a side elevational view, which also represents a view of the front, rear and opposite side;

(58) **Field of Search** D7/324, 323, 326, D7/339-340, 354, 402, 605, 338; 126/681, 382, 607, 606, 600, 25 R

FIG. 3 is a top plan view, with the bottom plan view being a mirror image;

(56) **References Cited**

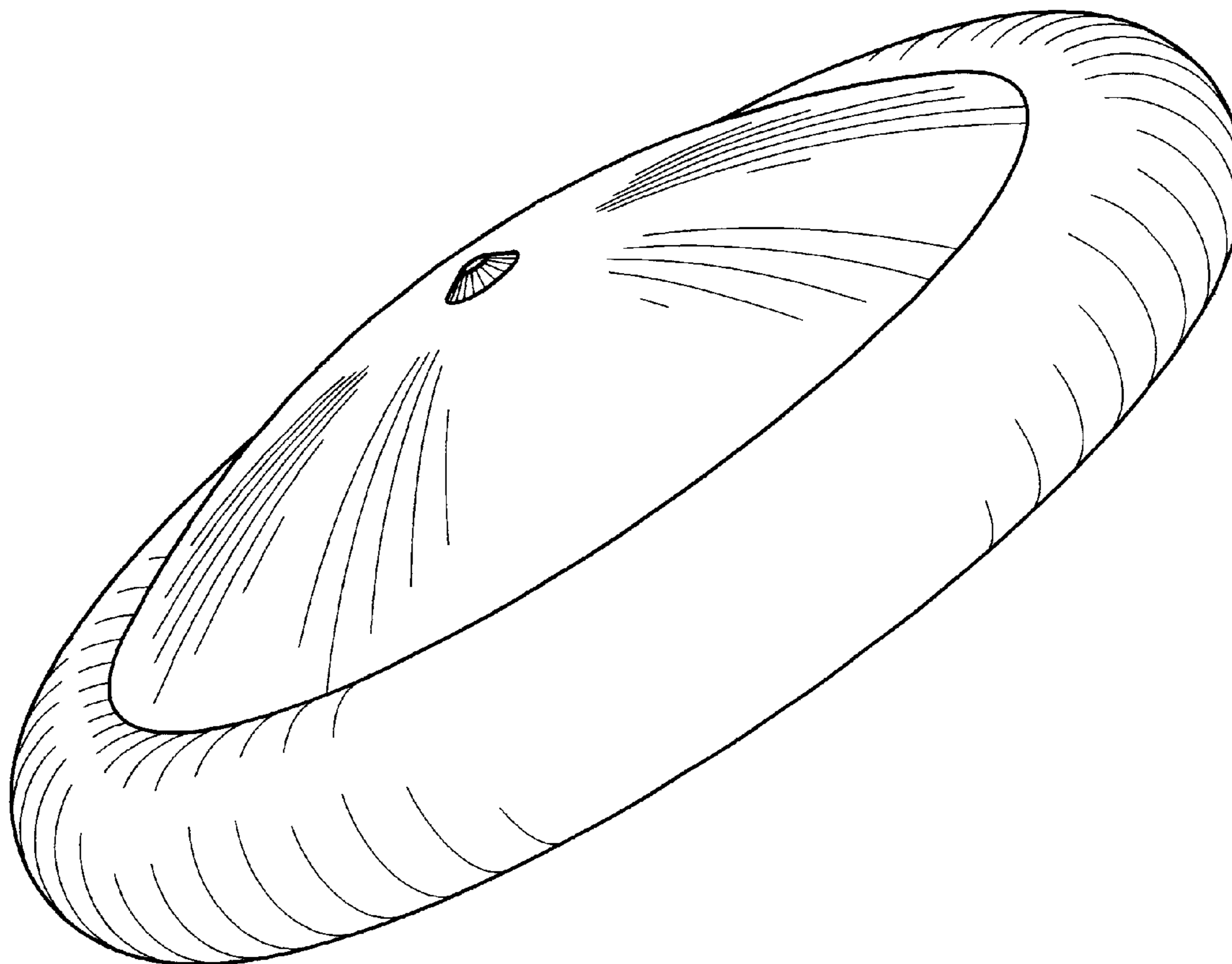
FIG. 4 is another perspective view; and,

U.S. PATENT DOCUMENTS

FIG. 5 is a cross-sectional view.

2,909,171 A * 10/1959 Lof 126/681

1 Claim, 5 Drawing Sheets



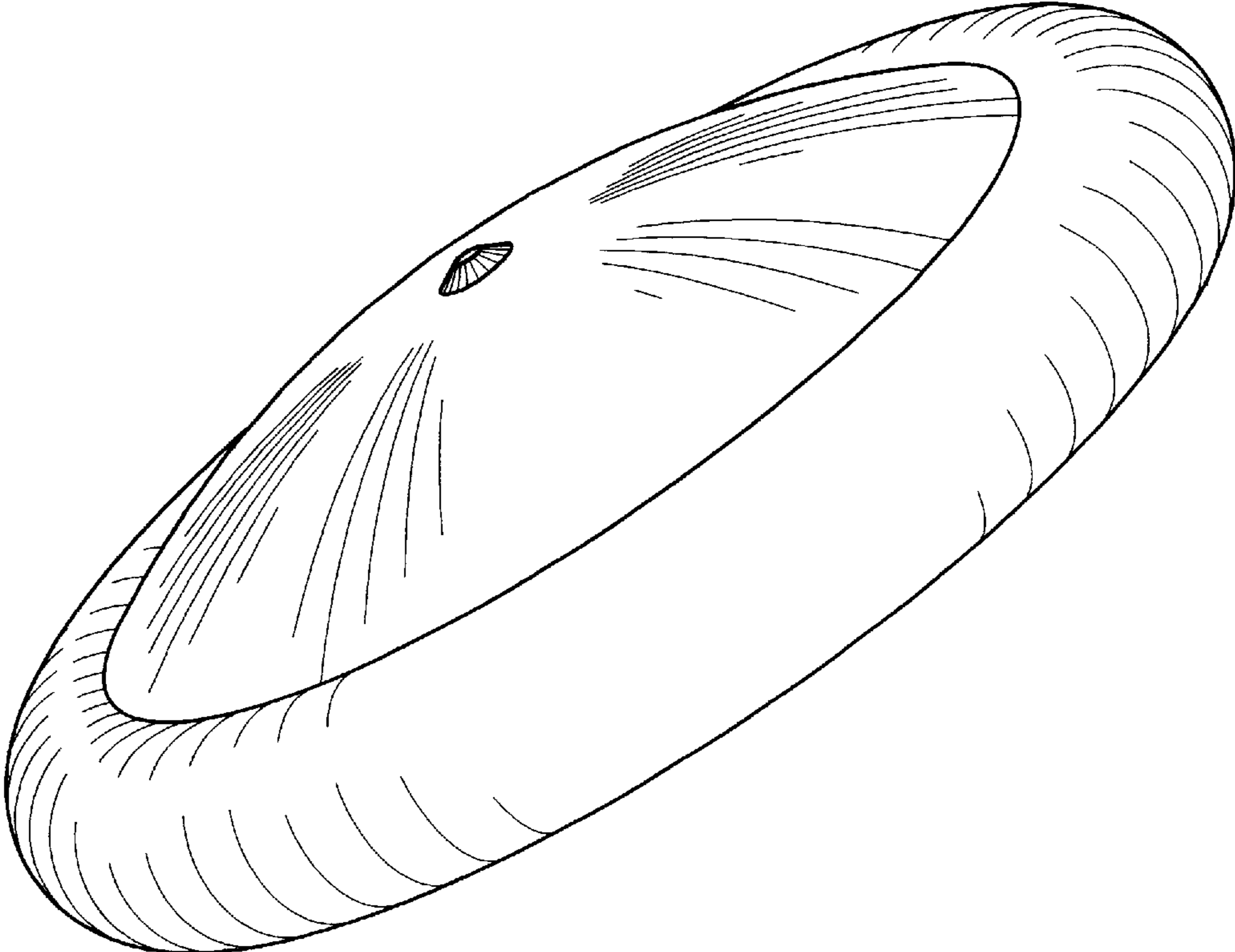


FIG. 1

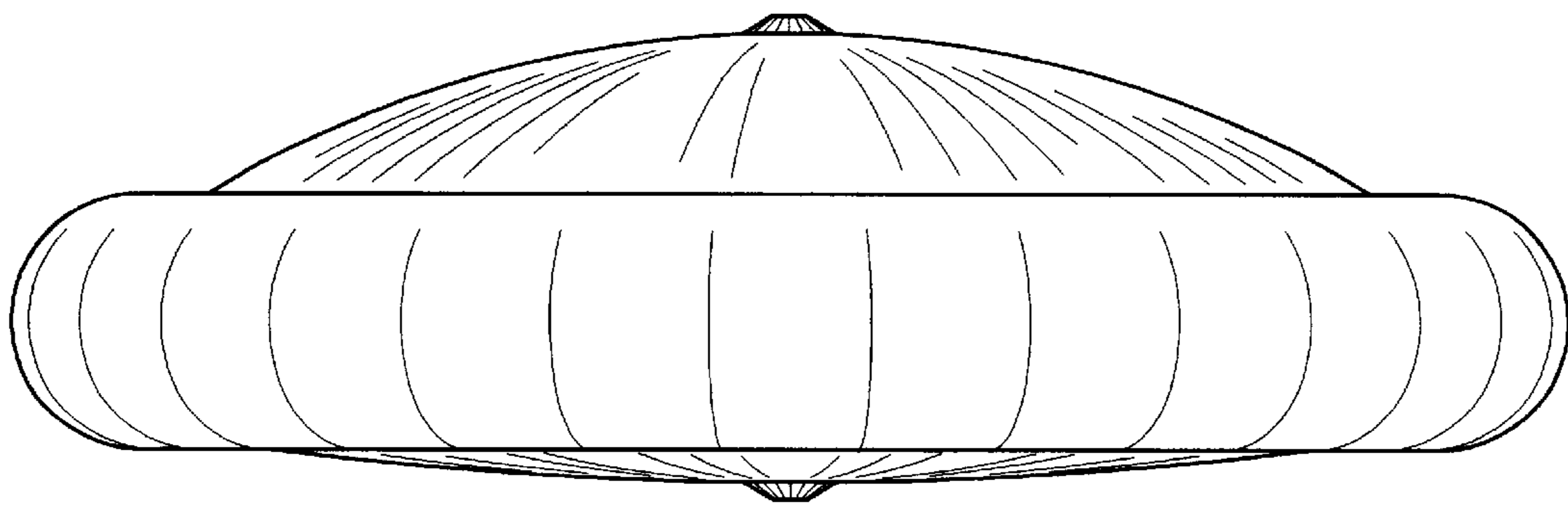


FIG. 2

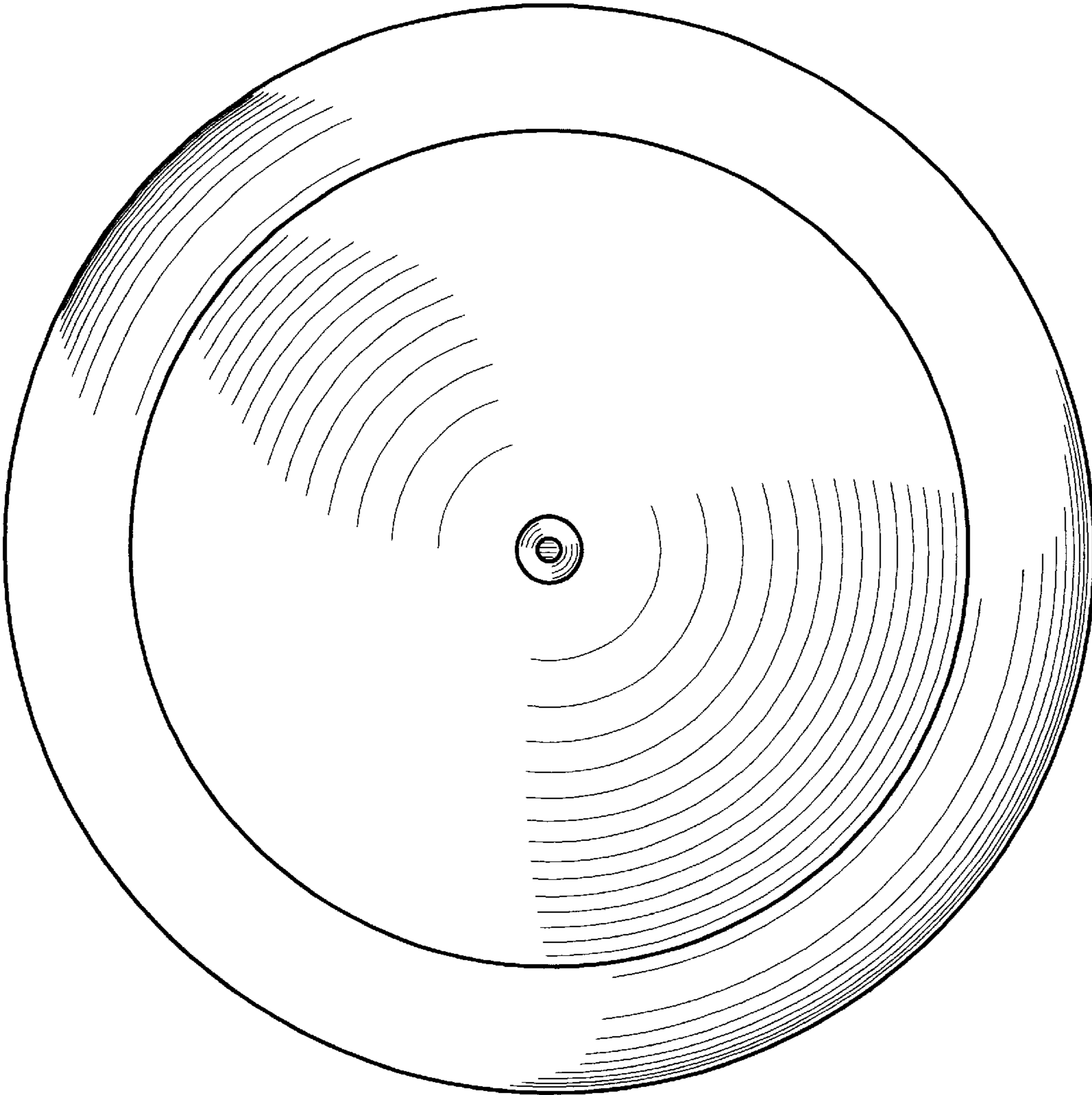


FIG. 3

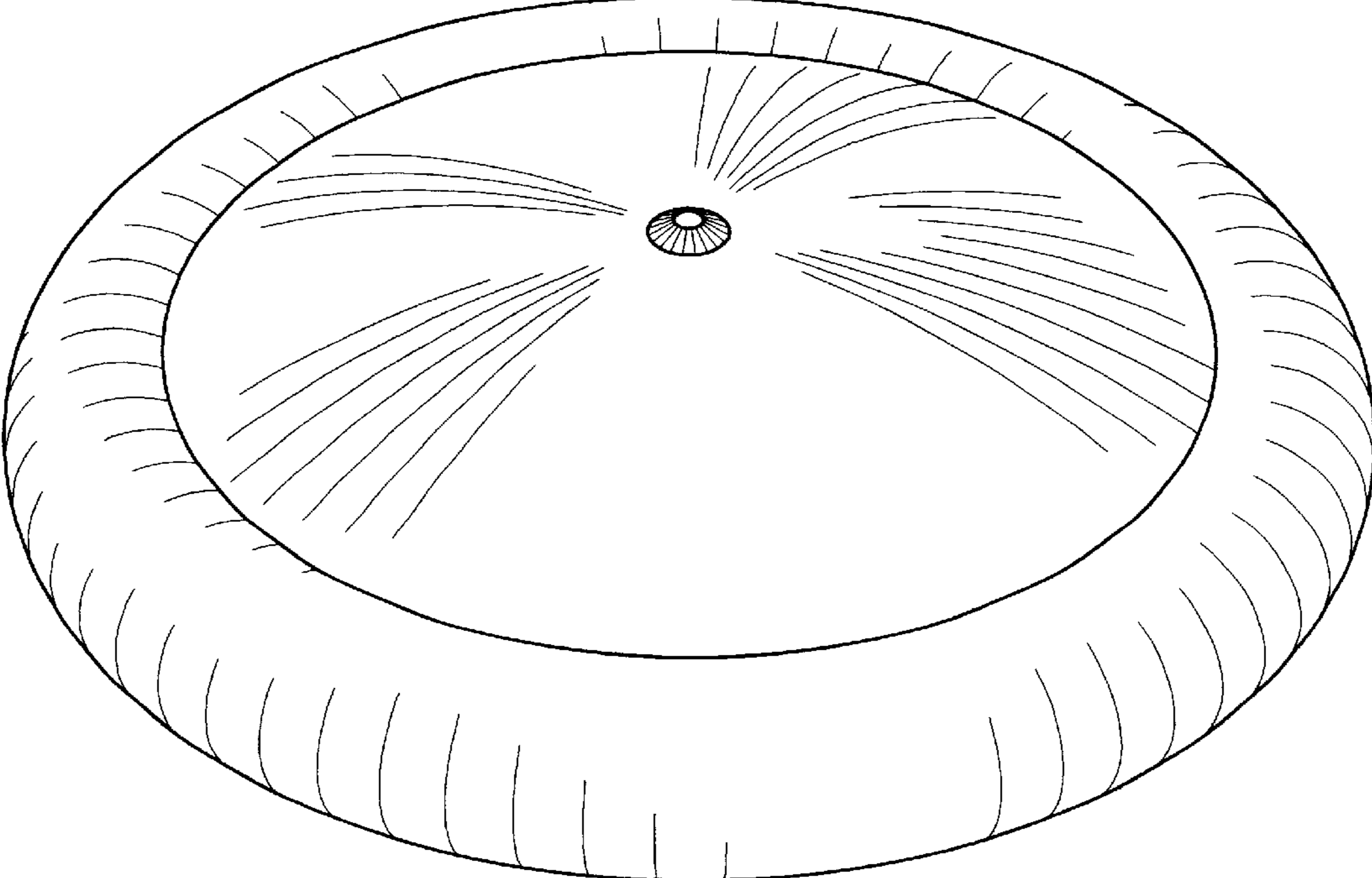


FIG. 4

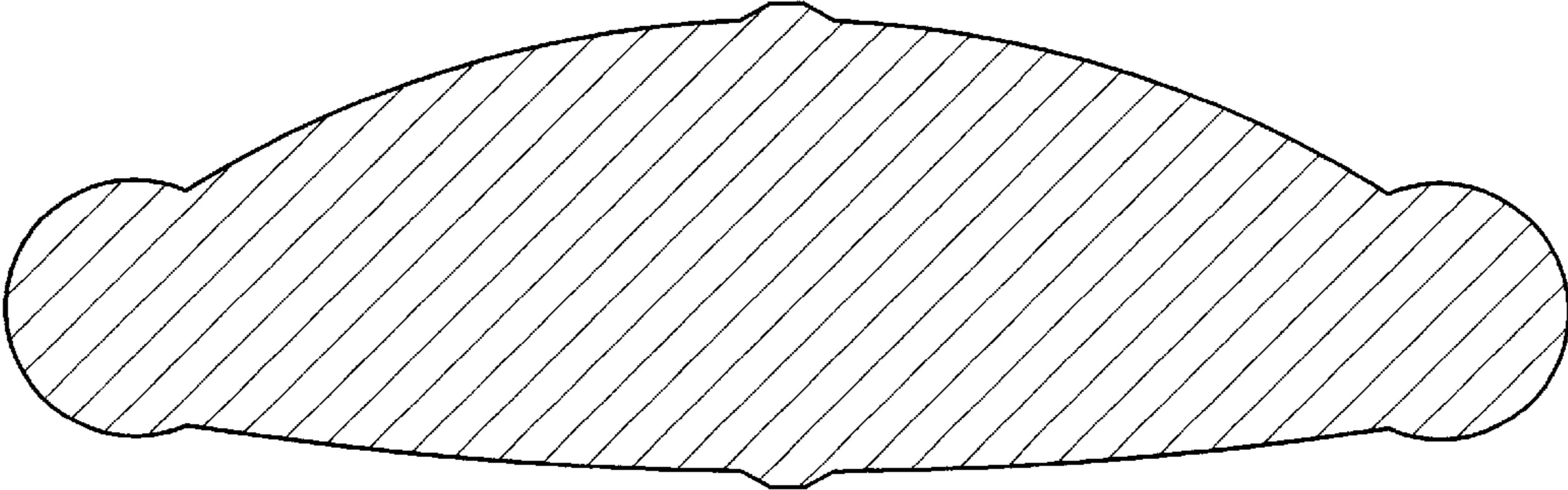


FIG. 5