



US00D507921S

(12) **United States Design Patent**
Cardoso Prata dos Santos

(10) **Patent No.:** **US D507,921 S**
(45) **Date of Patent:** **** Aug. 2, 2005**

(54) **COMPACT DISC HOLDER**

(76) Inventor: **João Miguel Cardoso Prata dos Santos**, Rua Rodrigo Da Fonseca, No. 101, 2nd Floor Right, Lisbon 1250-190 (PT)

(**) Term: **14 Years**

(21) Appl. No.: **29/215,082**

(22) Filed: **Oct. 13, 2004**

(51) **LOC (8) Cl.** **06-04**

(52) **U.S. Cl.** **D6/629**

(58) **Field of Search** D6/407, 629, 630, D6/467, 468; 206/307.1, 387.14; 211/40, 41.12; 312/9.1, 9.9, 9.47, 9.64

(56) **References Cited**

U.S. PATENT DOCUMENTS

D160,344 S	*	10/1950	Shapiro	D6/468
D161,139 S	*	12/1950	Shapiro	D6/467
2,825,465 A	*	3/1958	Burgo	211/40
D201,733 S	*	7/1965	Vovakas	D6/469
3,557,965 A	*	1/1971	Agerholm	211/11
4,507,330 A	*	3/1985	Schaaf	211/41.1
D309,524 S	*	7/1990	Egly et al.	D6/629
D310,460 S	*	9/1990	Vergnano	D6/596
D332,708 S	*	1/1993	Schmidt et al.	D6/407
D336,182 S	*	6/1993	Machut	D6/467
D336,752 S	*	6/1993	Lattimer	D6/467
D358,525 S	*	5/1995	Sedon et al.	D6/629
D365,122 S	*	12/1995	Thorup	D6/467
D401,451 S	*	11/1998	Sherman	D6/467
D402,137 S	*	12/1998	Blazevich	D6/467

5,921,404 A	*	7/1999	Cooke et al.	211/40
D415,203 S	*	10/1999	Sherman	D6/467
6,607,084 B1	*	8/2003	Spinelli	211/71.01

OTHER PUBLICATIONS

U.S. Appl. No. 29/215,080; filed Oct. 13, 2004.
U.S. Appl. No. 29/215,081; filed Oct. 13, 2004.
60 CD POD; printed from <http://www.allmultimediastorage.com> on Dec. 3, 2004.
Staples 40 CD Caseless Storage Box, Platinum; printed from <http://www.staples.com> on Dec. 3, 2004.

* cited by examiner

Primary Examiner—Cathron C. Brooks

(74) *Attorney, Agent, or Firm*—Fross Zelnick Lehrman & Zissu, P.C.; David I. Greenbaum, Esq.

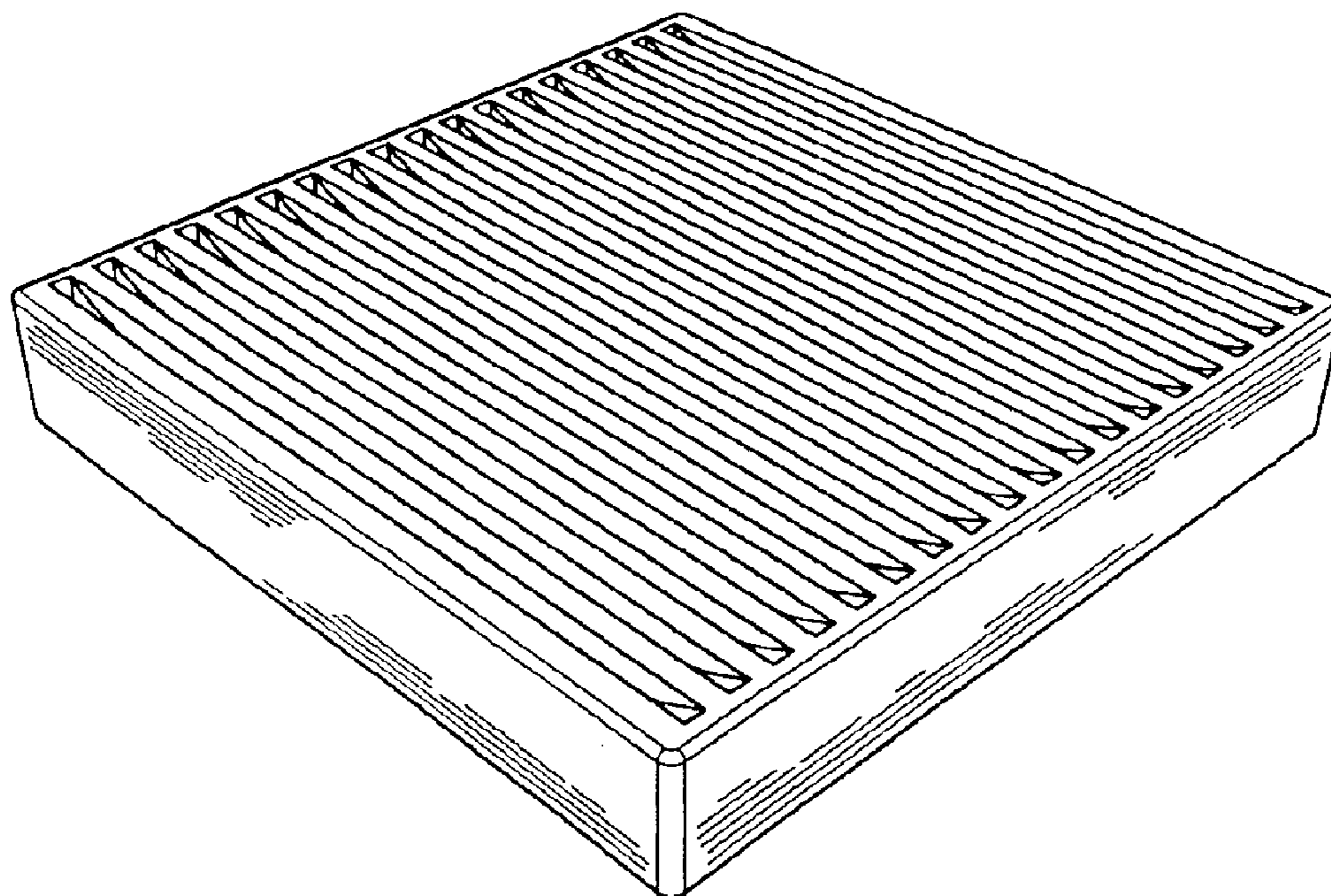
(57) **CLAIM**

The ornamental design for a compact disc holder, as shown and described.

DESCRIPTION

FIG. 1 is a top perspective view of a compact disc holder showing the new design;
FIG. 2 is a side view of the compact disc holder shown in FIG. 1;
FIG. 3 is a top view of the compact disc holder shown in FIG. 1; and,
FIG. 4 is a front perspective view of the compact disc holder shown in FIG. 1.
The bottom of the compact disc holder is not part of the claimed design.

1 Claim, 2 Drawing Sheets



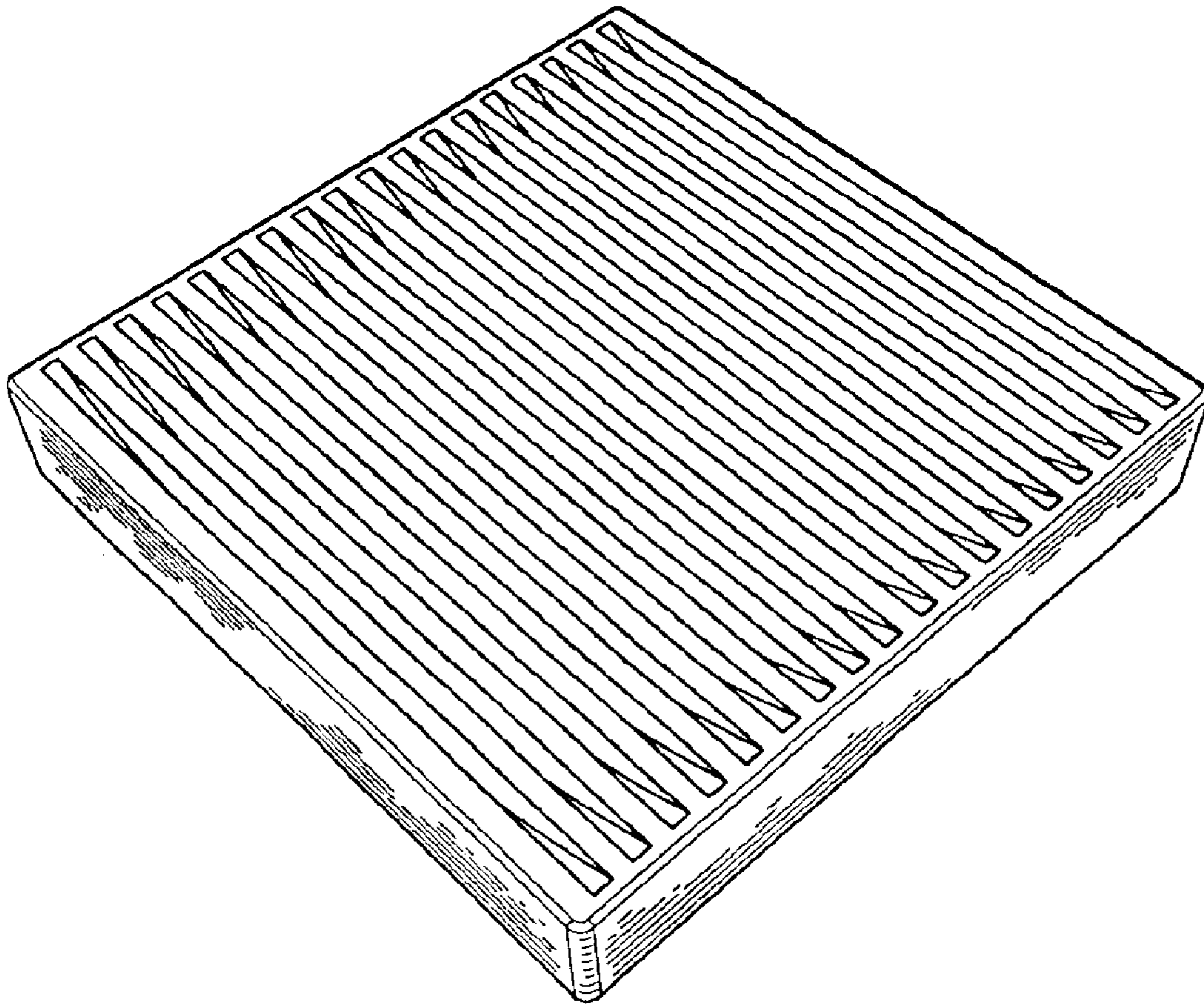


FIG. 1

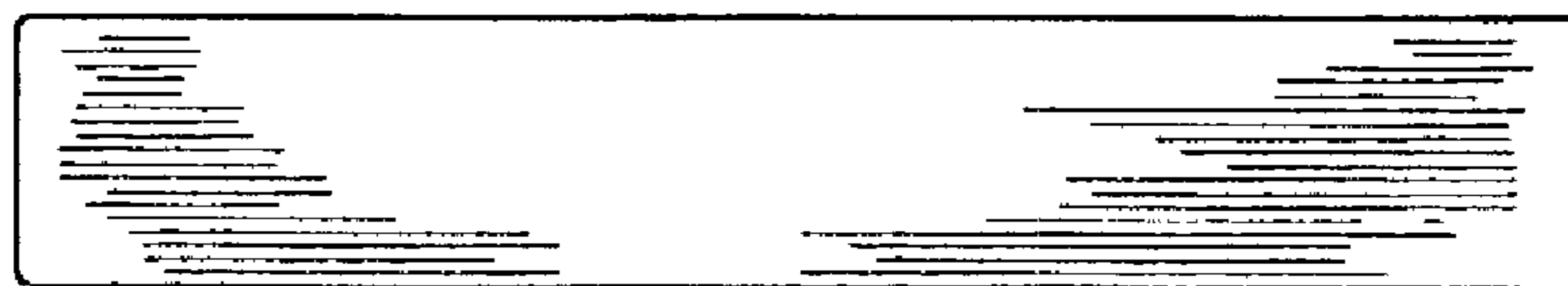


FIG. 2

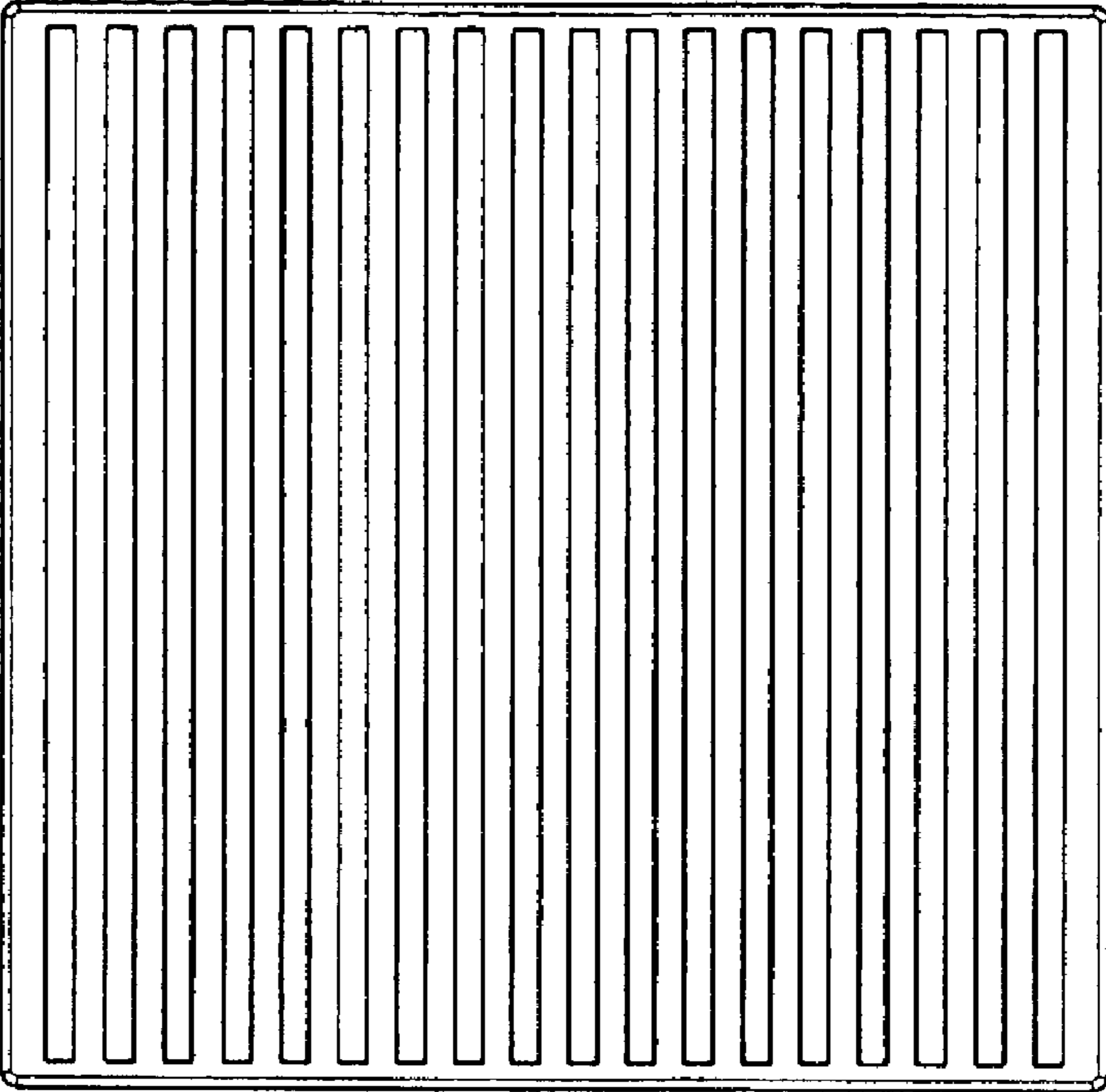


FIG. 3

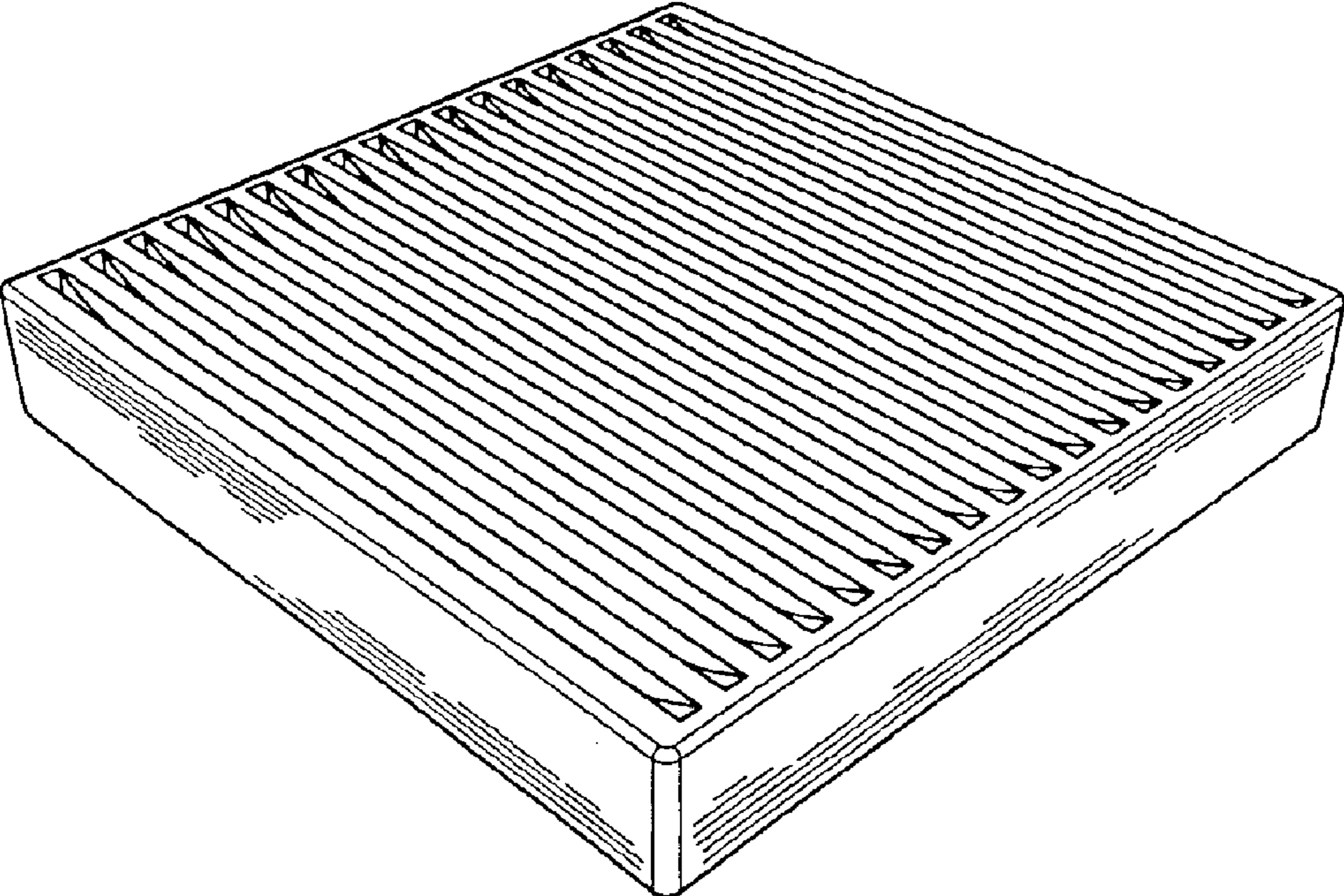


FIG. 4