

US00D507920S

(12) **United States Design Patent**
Mack

(10) **Patent No.:** **US D507,920 S**

(45) **Date of Patent:** **** Aug. 2, 2005**

(54) **PILLOW COVERING**

(75) **Inventor:** **Beth Mack**, Boca Raton, FL (US)

(73) **Assignee:** **Hollander Home Fashions Corp.**,
Boca Raton, FL (US)

(**) **Term:** **14 Years**

(21) **Appl. No.:** **29/200,339**

(22) **Filed:** **Feb. 26, 2004**

(51) **LOC (8) Cl.** **06-09**

(52) **U.S. Cl.** **D6/601; D6/606**

(58) **Field of Search** D6/595-606; 5/632,
5/633, 636, 637, 639, 640, 644, 645, 648,
710, 722, 417-420, 653, 654, 655, 655.3,
656, 655.5, 657, 655.9, 490, 491, 482,
907

(56) **References Cited**

U.S. PATENT DOCUMENTS

1,262,510	A	*	4/1918	Kelly	5/636
2,029,608	A	*	2/1936	Buchman	5/490
2,217,999	A	*	10/1940	De Woskin	5/484
3,148,389	A	*	9/1964	Lustig	5/645
3,924,283	A	*	12/1975	Shave	5/636

D283,963	S	*	5/1986	Rowland	D6/599
5,084,928	A	*	2/1992	Skillington	5/490
5,953,777	A	*	9/1999	Buck	5/636
D466,751	S	*	12/2002	Coats et al.	D6/601

* cited by examiner

Primary Examiner—Lucy Lieberman

(74) *Attorney, Agent, or Firm*—Lerner, David, Littenberg,
Krumholz & Mentlik, LLP

(57) **CLAIM**

The ornamental design for a pillow covering, as shown and described.

DESCRIPTION

FIG. 1 is a perspective view of a pillow covering showing my new design;
FIG. 2 is a front elevational view;
FIG. 3 is a rear elevational view;
FIG. 4 is a top plan view, the bottom plan view being identical thereto; and,
FIG. 5 is a right side elevational view, the left side elevational view being identical thereto.

The broken lines shown in the drawings are for illustration purposes only and form no part of the design sought to be patented.

1 Claim, 3 Drawing Sheets

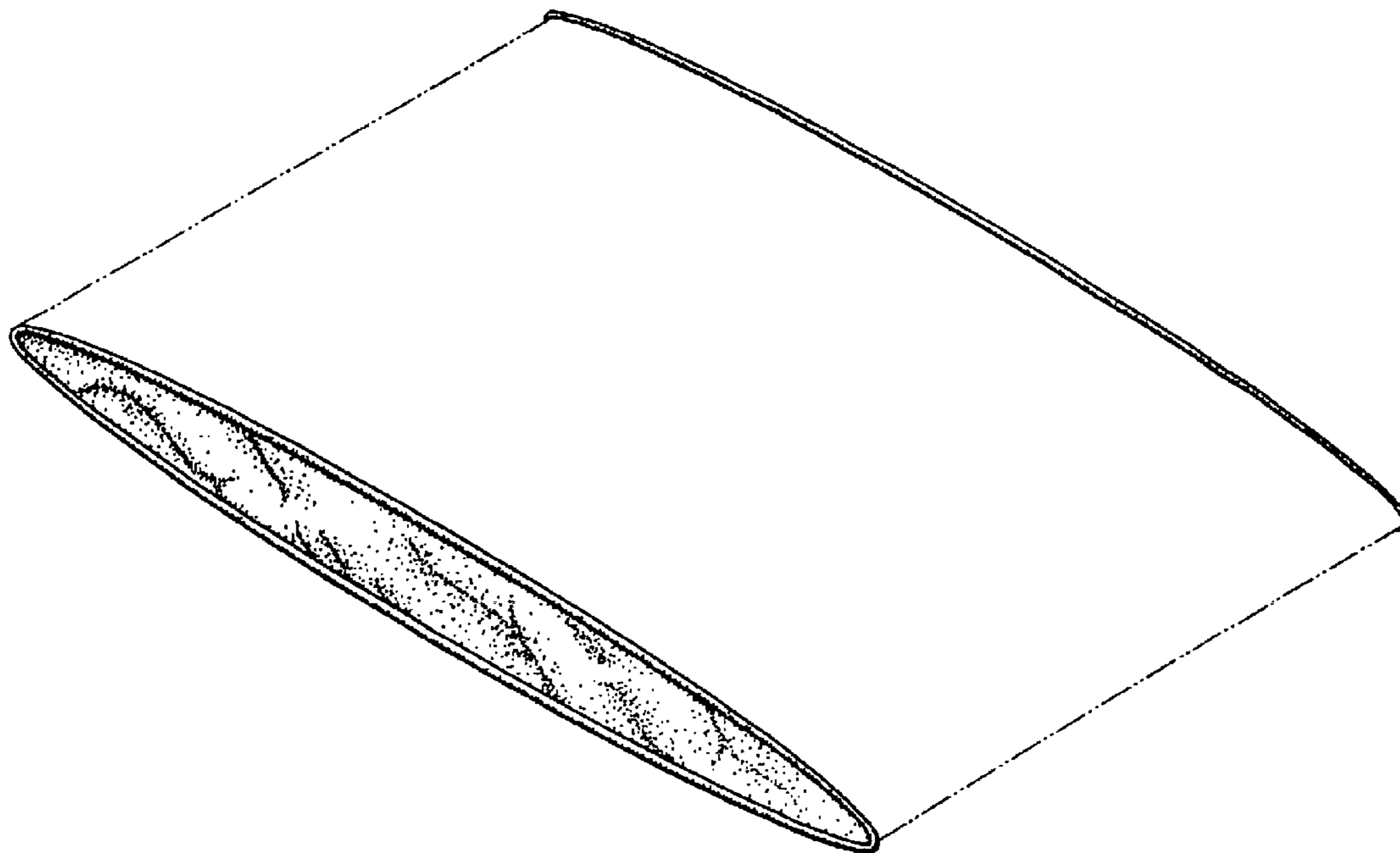


FIG. 1

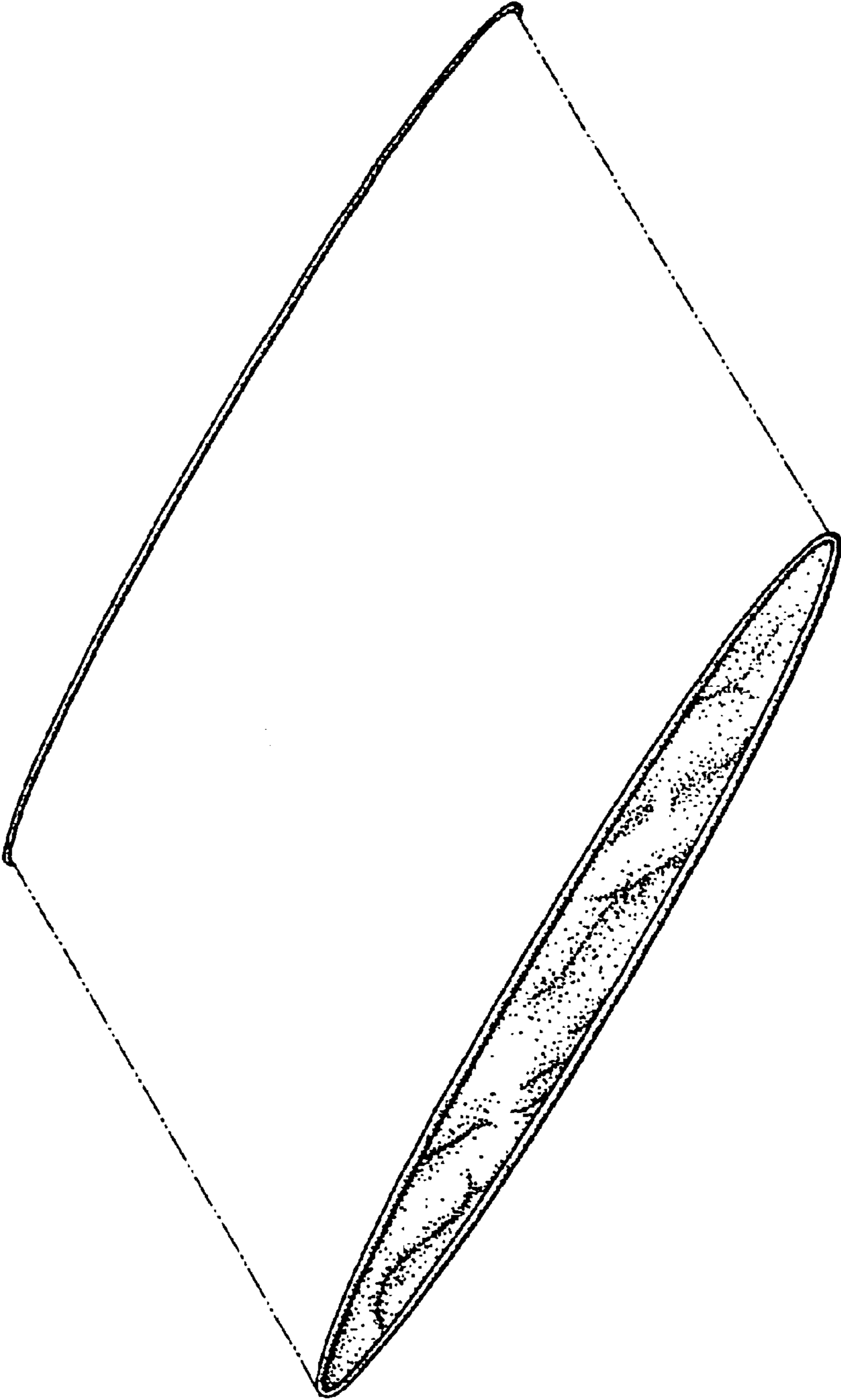


FIG. 2

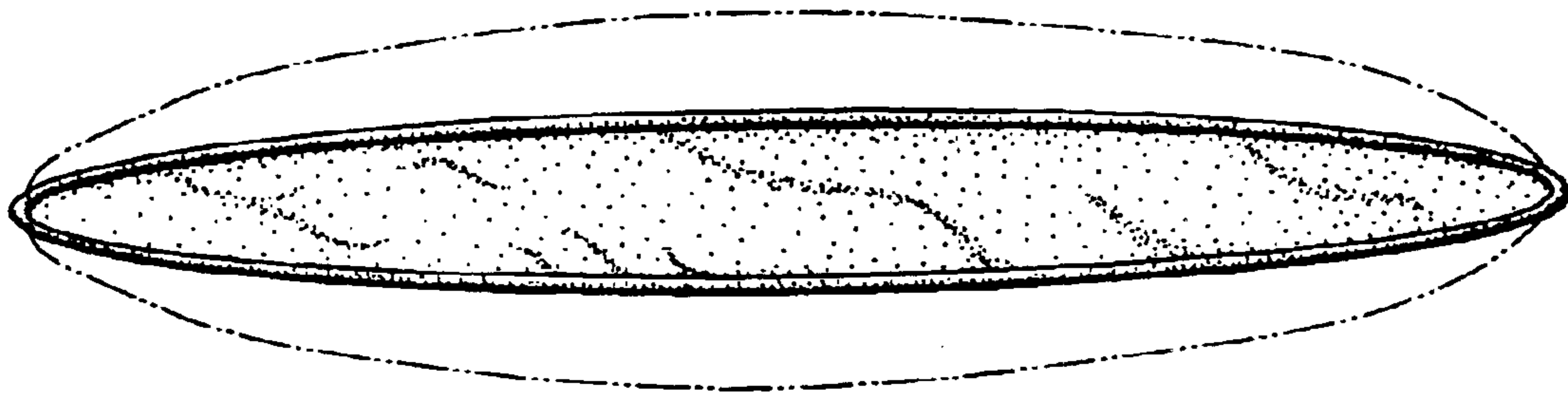


FIG. 3

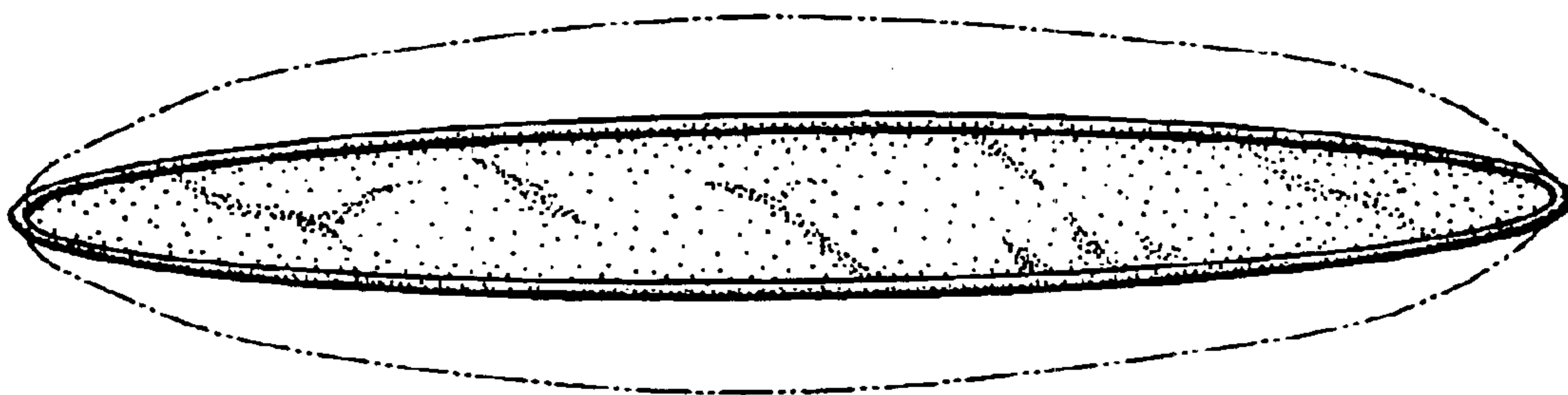


FIG. 4

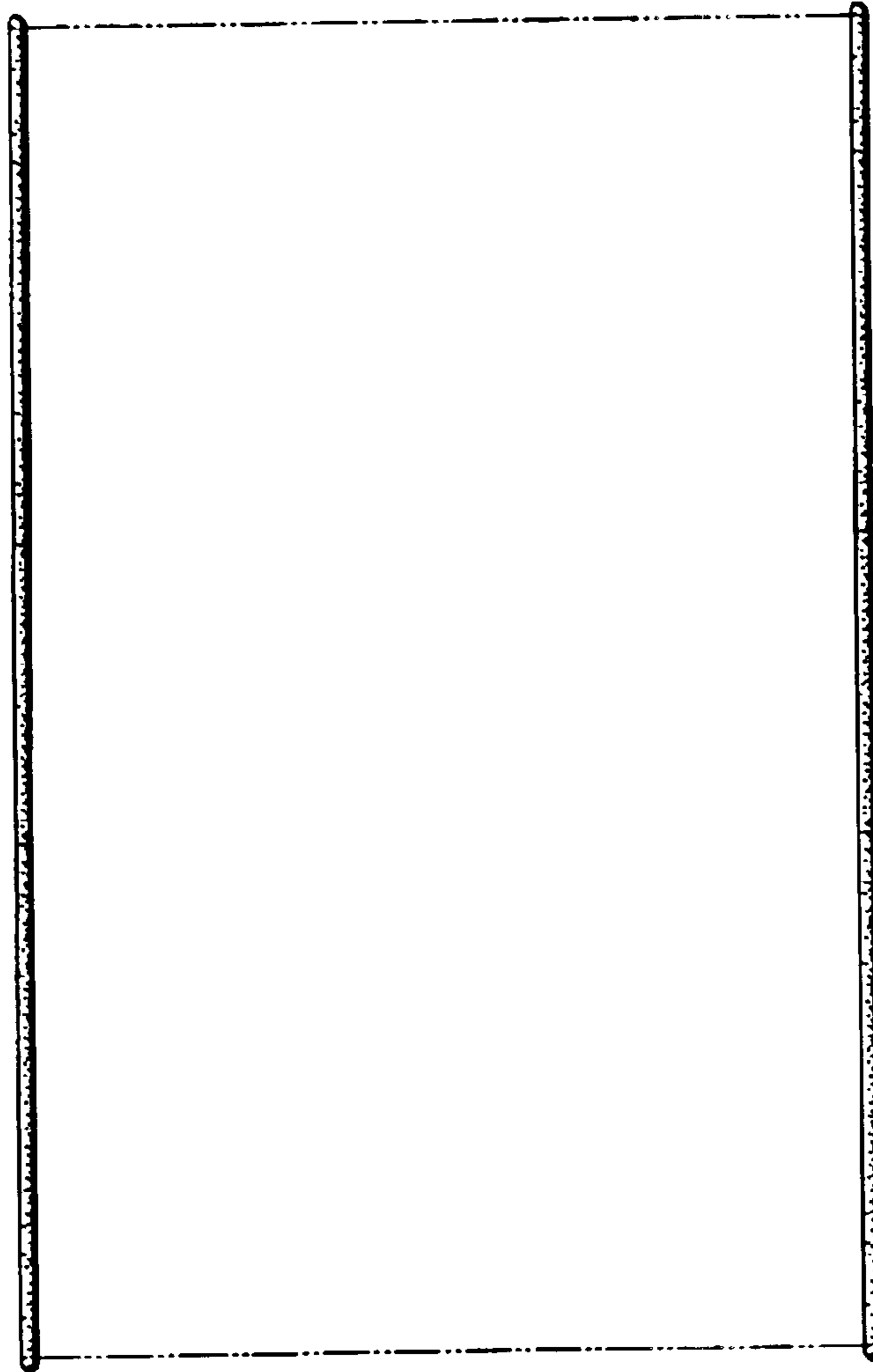


FIG. 5

