



US00D507916S

(12) **United States Design Patent**
DeBoth

(10) **Patent No.:** **US D507,916 S**

(45) **Date of Patent:** **** Aug. 2, 2005**

(54) **MODULAR TABLE TOPS**

(74) *Attorney, Agent, or Firm*—Keith B Wilhelm

(76) **Inventor:** **James R. DeBoth**, 275 N. Ridgeland Ave., Elmhurst, IL (US) 60126

(57) **CLAIM**

The ornamental design for modular table tops, as shown and described.

(**) **Term:** **14 Years**

DESCRIPTION

(21) **Appl. No.:** **29/193,272**

FIG. 1 is a front perspective view of a preferred embodiment of the novel design for modular table tops, wherein the modular components of the table are shown slightly separated and table legs, which form no part of the claimed design, are shown in broken lines to illustrate the environment related to the claimed design;

(22) **Filed:** **Nov. 6, 2003**

(51) **LOC (8) Cl.** **06-06**

(52) **U.S. Cl.** **D6/511; D6/482**

(58) **Field of Search** D6/480–489, 511, D6/495–499, 429; 108/150, 153.1, 155, 156, 157.1, 161, 59, 64, 65, 66; 248/188, 188.1, 188.8

FIG. 2 is a top view of the preferred embodiment of FIG. 1 wherein the modular table components are interfitted;

(56) **References Cited**

U.S. PATENT DOCUMENTS

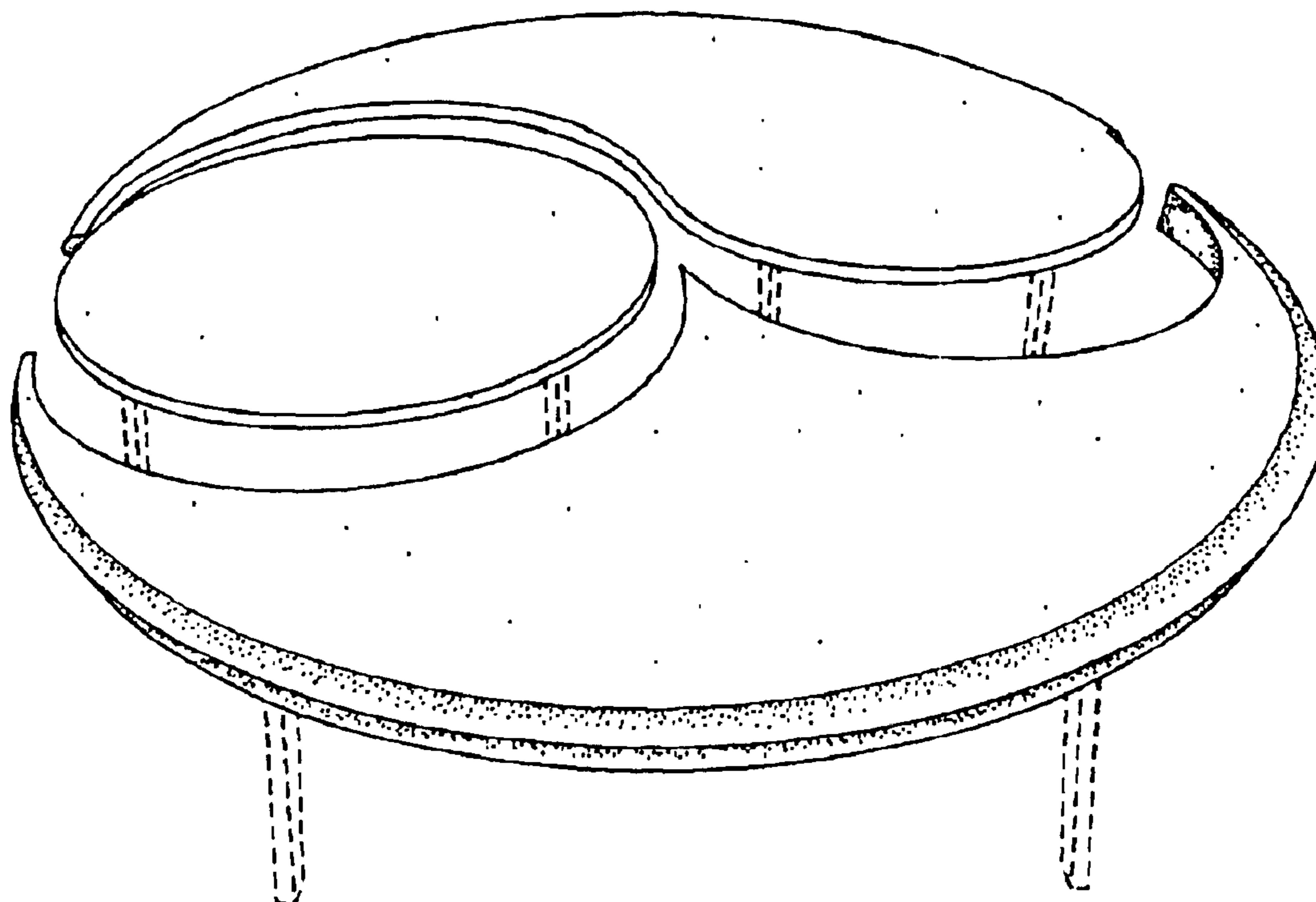
D175,651 S	*	9/1955	Schwartz	D6/482
5,673,631 A	*	10/1997	Guns et al.	108/64
5,676,068 A	*	10/1997	Kallander	108/64
D444,968 S	*	7/2001	Brown et al.	D6/482

FIG. 3 is a bottom view of said preferred embodiment wherein the modular table components are interfitted; and, FIG. 4 is a front elevation view of said preferred embodiment, the undisclosed rear elevation view of said preferred embodiment being a mirror image thereof, wherein the modular table components are interfitted and table legs, which form no part of the claimed design, are shown in broken lines to illustrate the environment related to the claimed design.

* cited by examiner

Primary Examiner—Janice E. Seeger

1 Claim, 2 Drawing Sheets



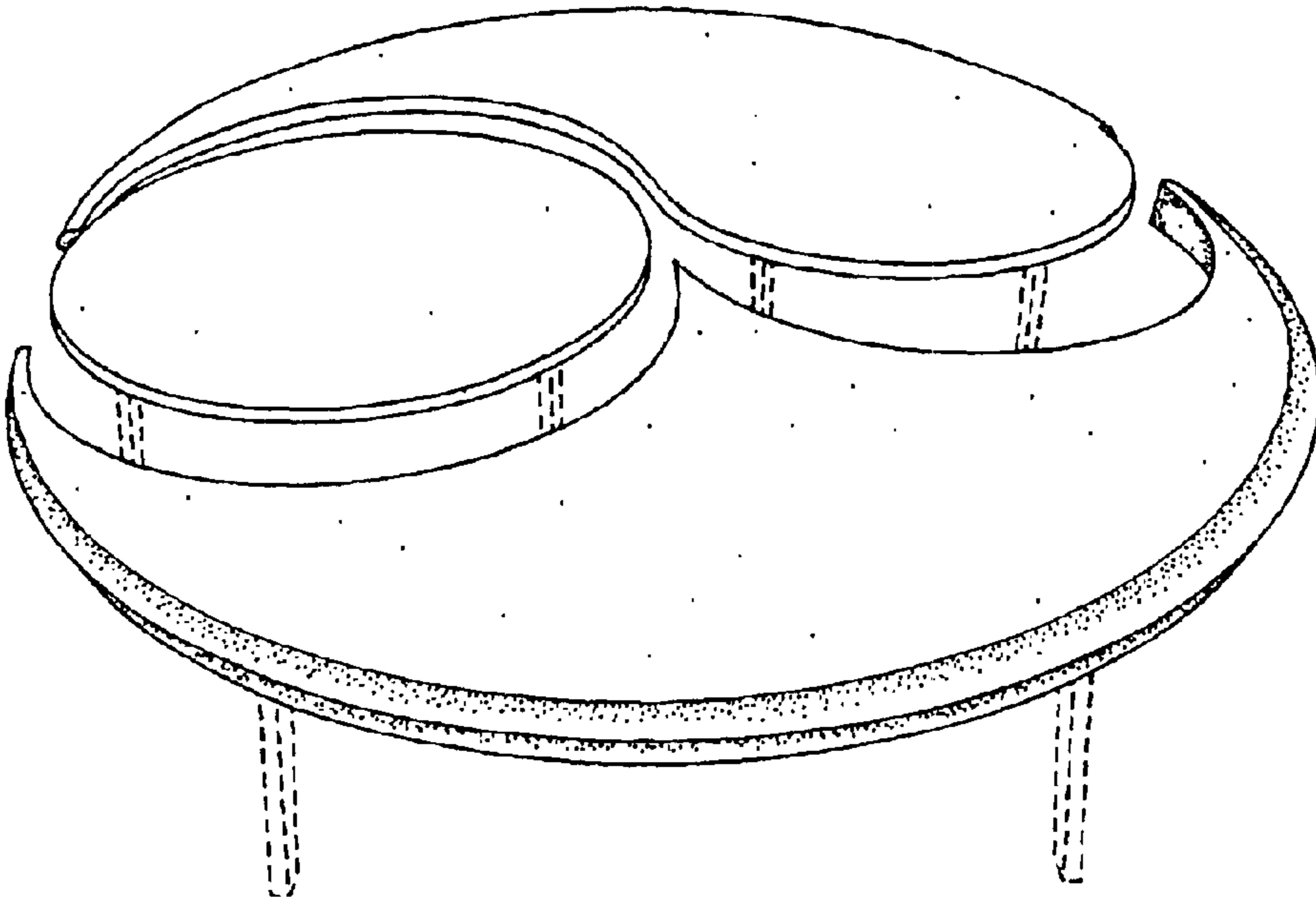


FIG. 1

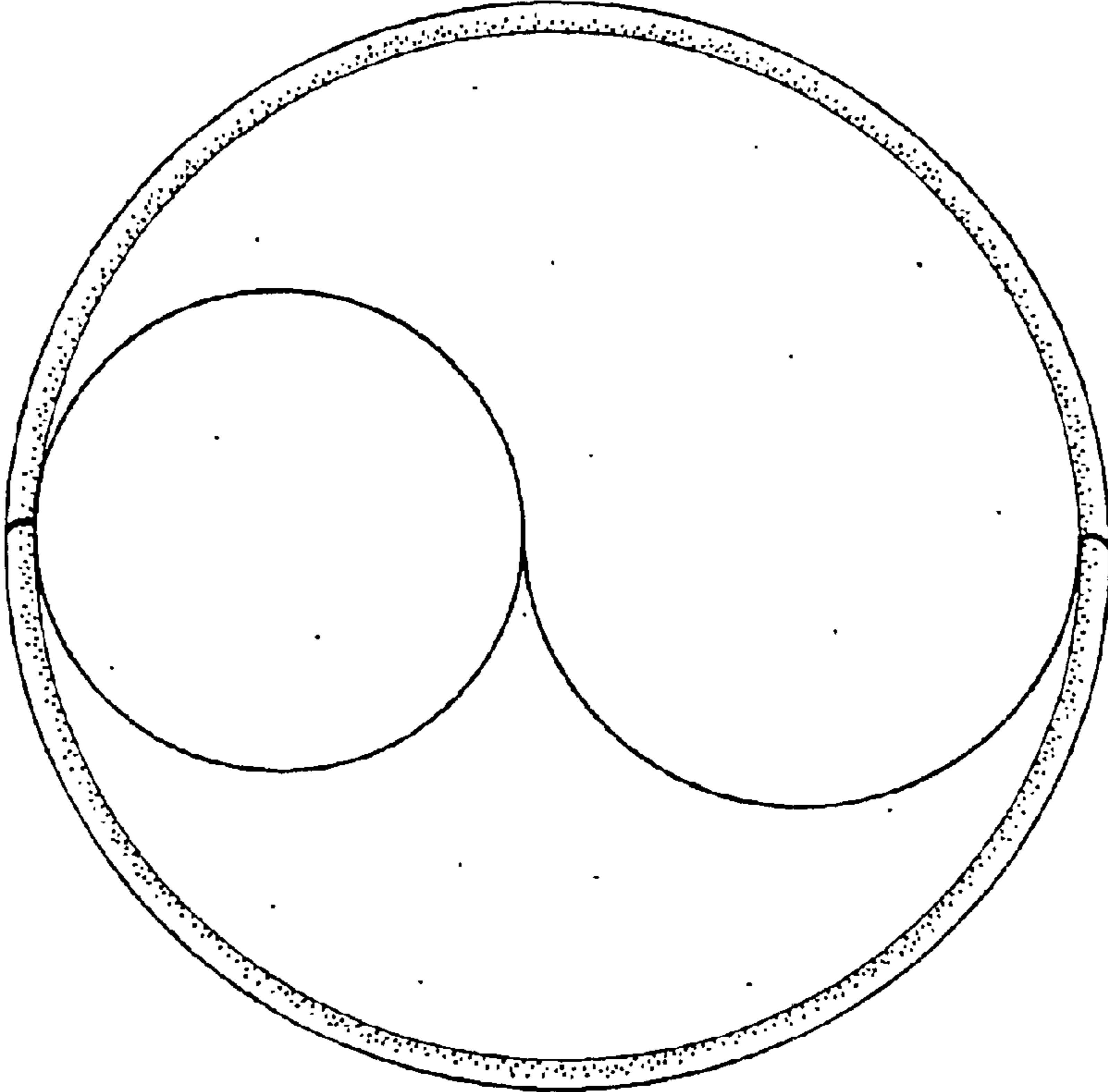


FIG. 2

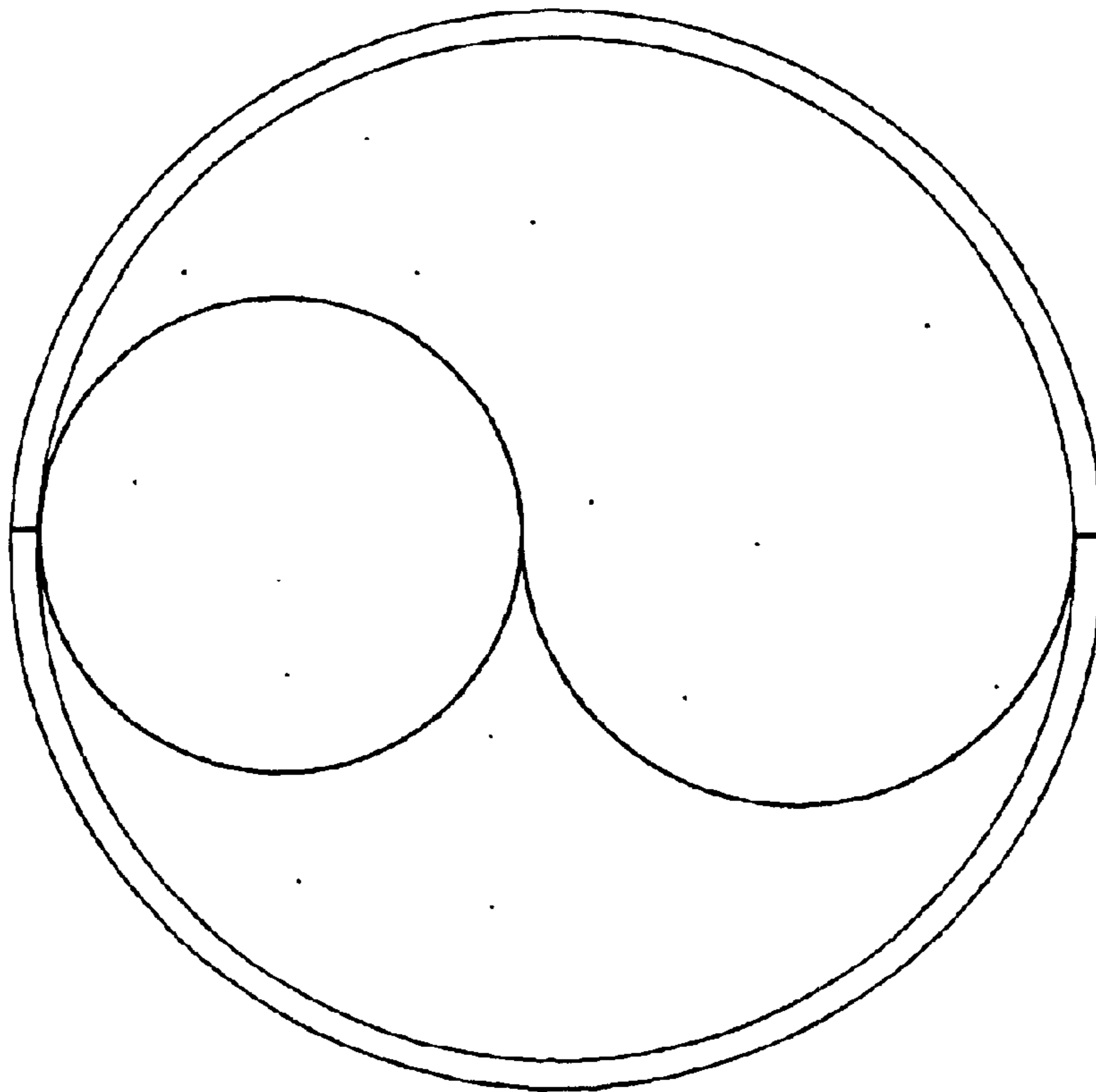


FIG. 3

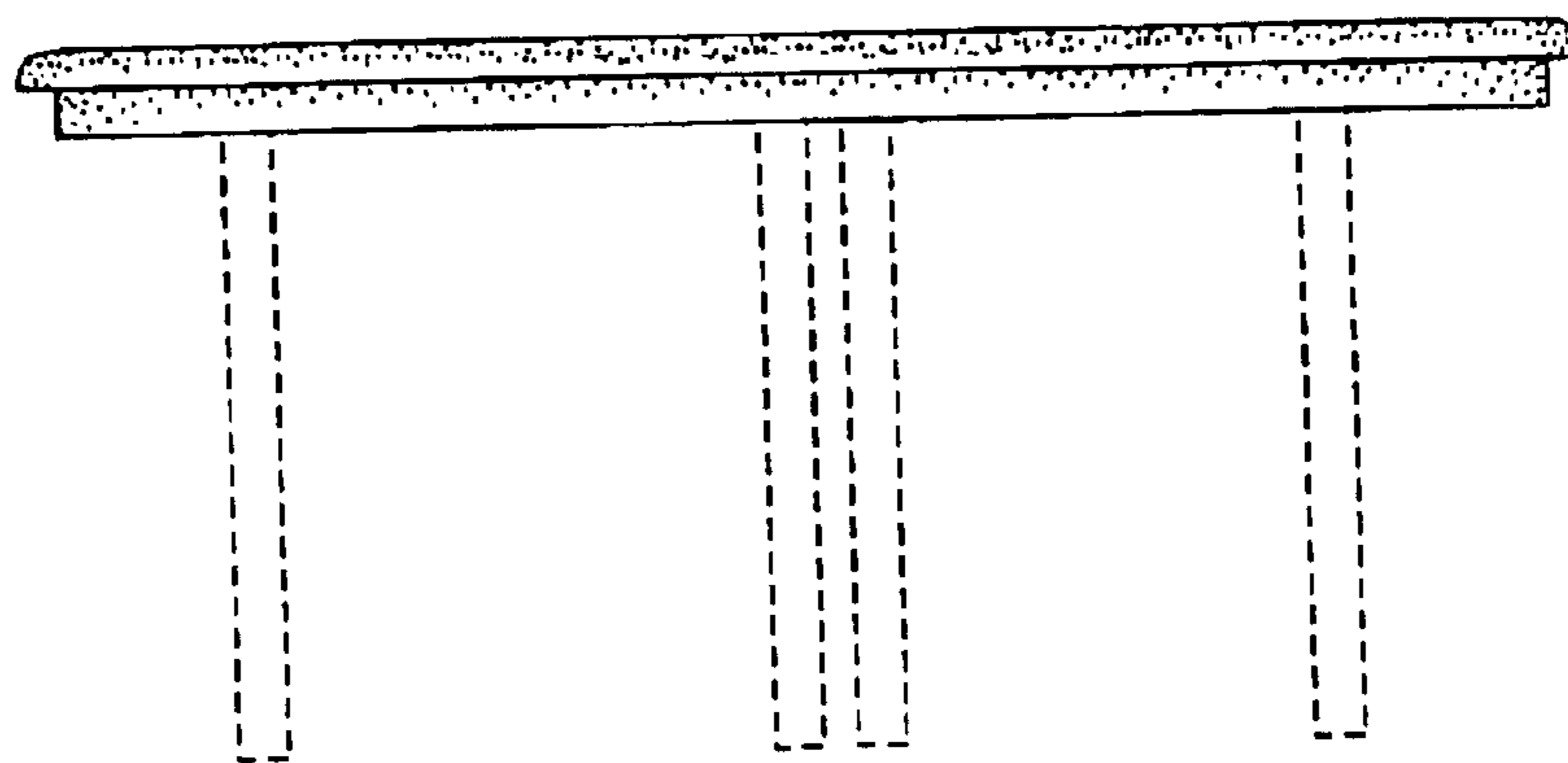


FIG. 4