

US00D507914S

(12) **United States Design Patent** (10) **Patent No.:** **US D507,914 S**  
**Schmidt et al.** (45) **Date of Patent:** **\*\* Aug. 2, 2005**

(54) **MODULAR CABINET**

(75) Inventors: **Duane A. Schmidt**, Newburgh, IN (US); **Allan R. Steinkuhl**, Evansville, IN (US); **Joseph L. Coleman**, Evansville, IN (US)

(73) Assignee: **Whirlpool Corporation**, Benton Harbor, MI (US)

(\*\*) Term: **14 Years**

(21) Appl. No.: **29/217,111**

(22) Filed: **Nov. 12, 2004**

**Related U.S. Application Data**

(62) Division of application No. 29/173,444, filed on Dec. 30, 2002.

(51) **LOC (8) Cl.** ..... **06-06**

(52) **U.S. Cl.** ..... **D6/510**

(58) **Field of Search** ..... D34/1, 12, 27; D14/189, 193; D6/561, 432, 396-397, 443, 446, 448, 509-510; D15/91; 312/258, 263, 257.1, 107, 265.3, 334.41, 245, 198

(56) **References Cited**

**U.S. PATENT DOCUMENTS**

D95,158 S	*	4/1935	Sererus	.....	D25/158
5,807,021 A	*	9/1998	Aaron	.....	404/19
D409,613 S	*	5/1999	McGee et al.	.....	D14/189
D471,377 S	*	3/2003	Gledhill et al.	.....	D6/432
D486,382 S	*	2/2004	Sedgwick et al.	.....	D8/375
D495,912 S	*	9/2004	Schmidt et al.	.....	D6/561
D497,921 S	*	11/2004	Schmidt et al.	.....	D15/91

**OTHER PUBLICATIONS**

Cole-Parmer modular storage cabinet. p., 986 [online]. Cole-Parmer, 2002-2004 [retrieved on Mar. 5, 2005]. Retrieved from the Internet: <http://catalogs.google.com/catalogs?dq=&hl=en&issue=15808&catpage=986&zoom=1>.\*

\* cited by examiner

*Primary Examiner*—Holly Baynham

(74) *Attorney, Agent, or Firm*—Stephen Krefman; Robert O. Rice; John F. Colligan

(57) **CLAIM**

The ornamental design for a modular cabinet, as shown and described.

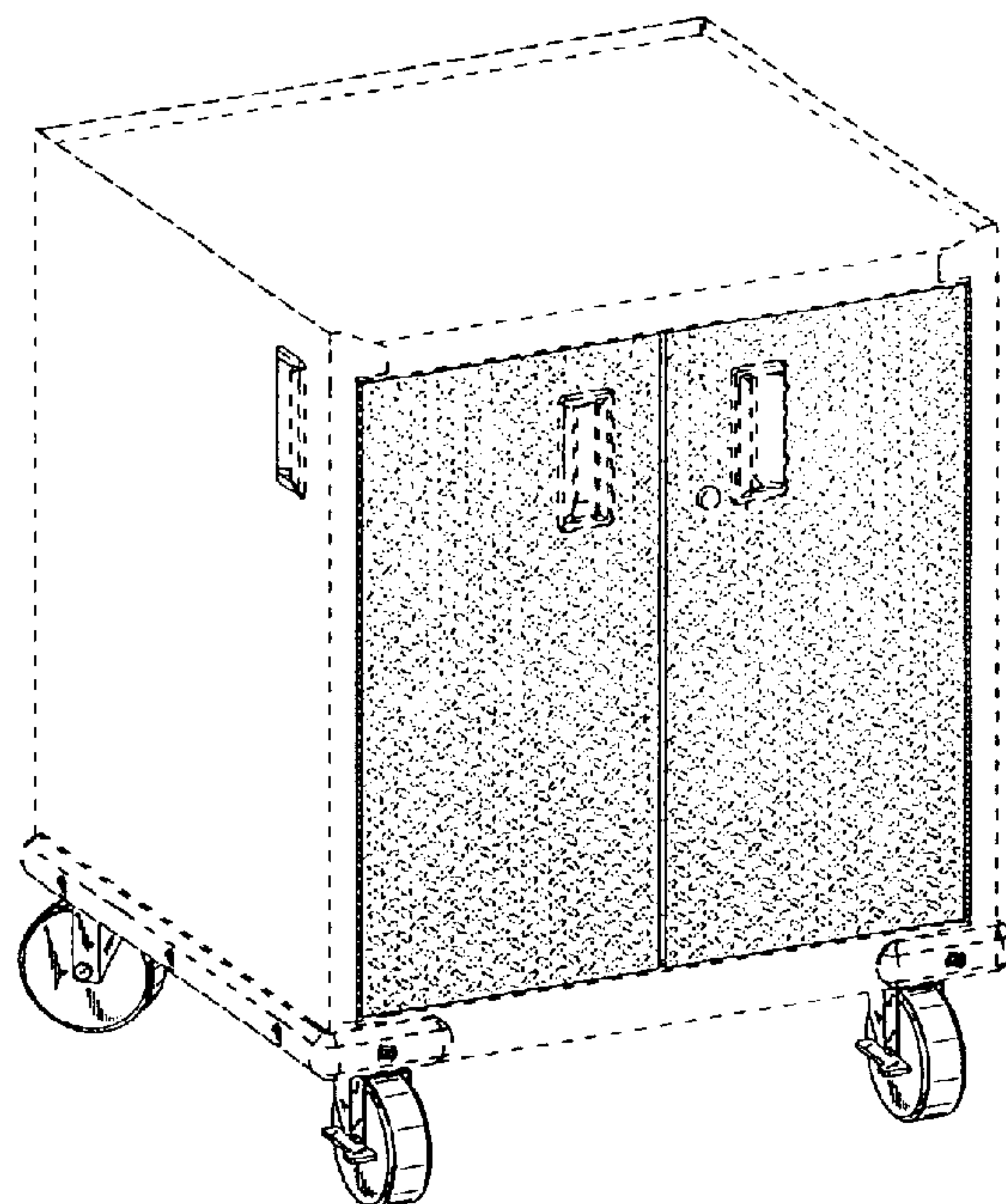
**DESCRIPTION**

FIG. 1 is a left front perspective view of the design of the modular cabinet; FIG. 2 is a front elevational view thereof. The ornamental design is not visible in a top plan view or bottom view; FIG. 3 is a right elevational view thereof. The left side is identical to the right side shown in this FIG. 3; and, FIG. 4 is a rear elevational view thereof.

The characteristic feature of the ornamental design resides in the use of a pattern on the doors of a modular cabinet having wheels.

Those portions of modular cabinet in broken lines, specifically the surfaces of the modular cabinet at the top and bottom edges of the doors and surfaces extending back from the doors including other surfaces of the modular cabinet are for illustrative purposes and are not part of the claimed invention.

**1 Claim, 4 Drawing Sheets**



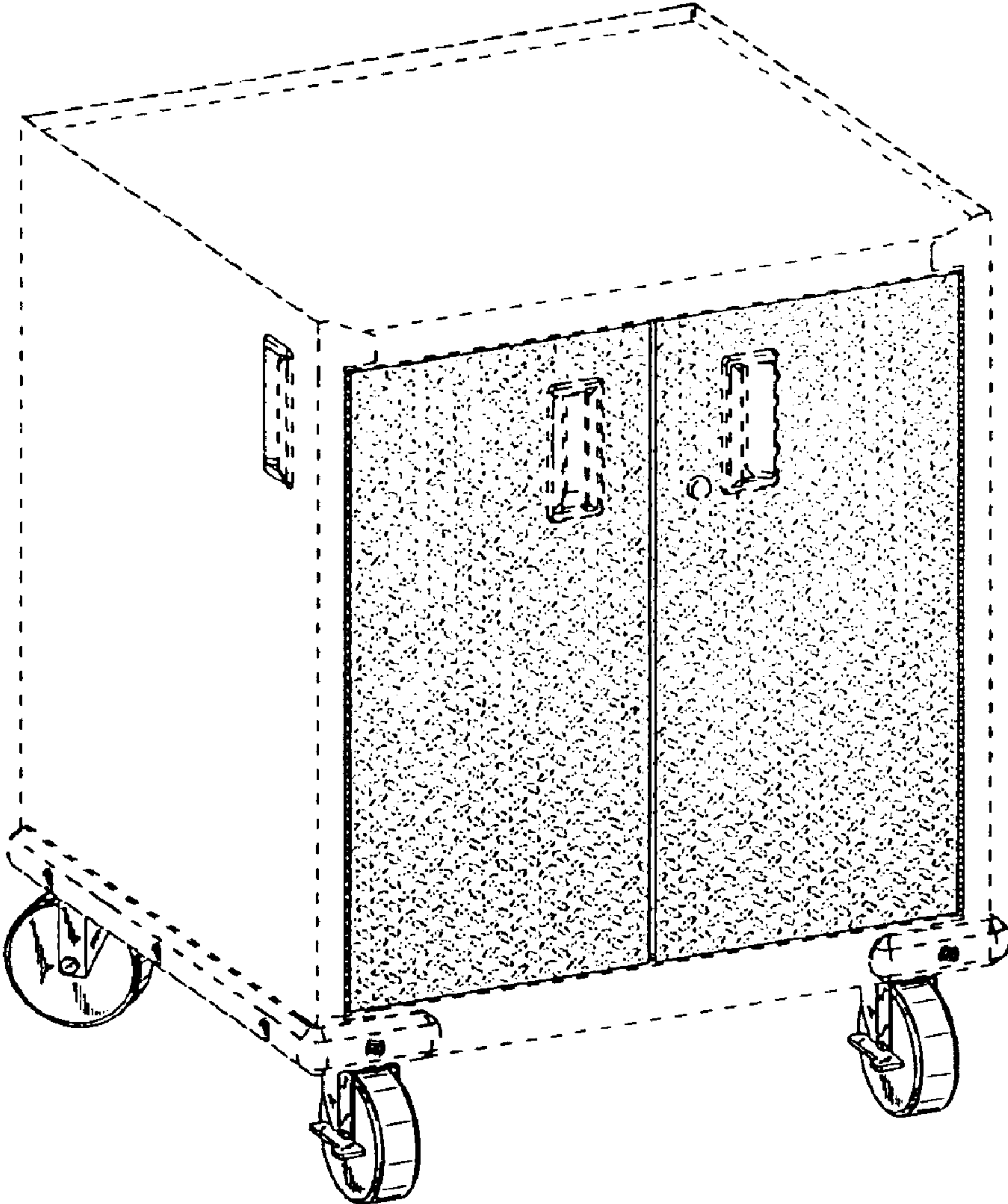
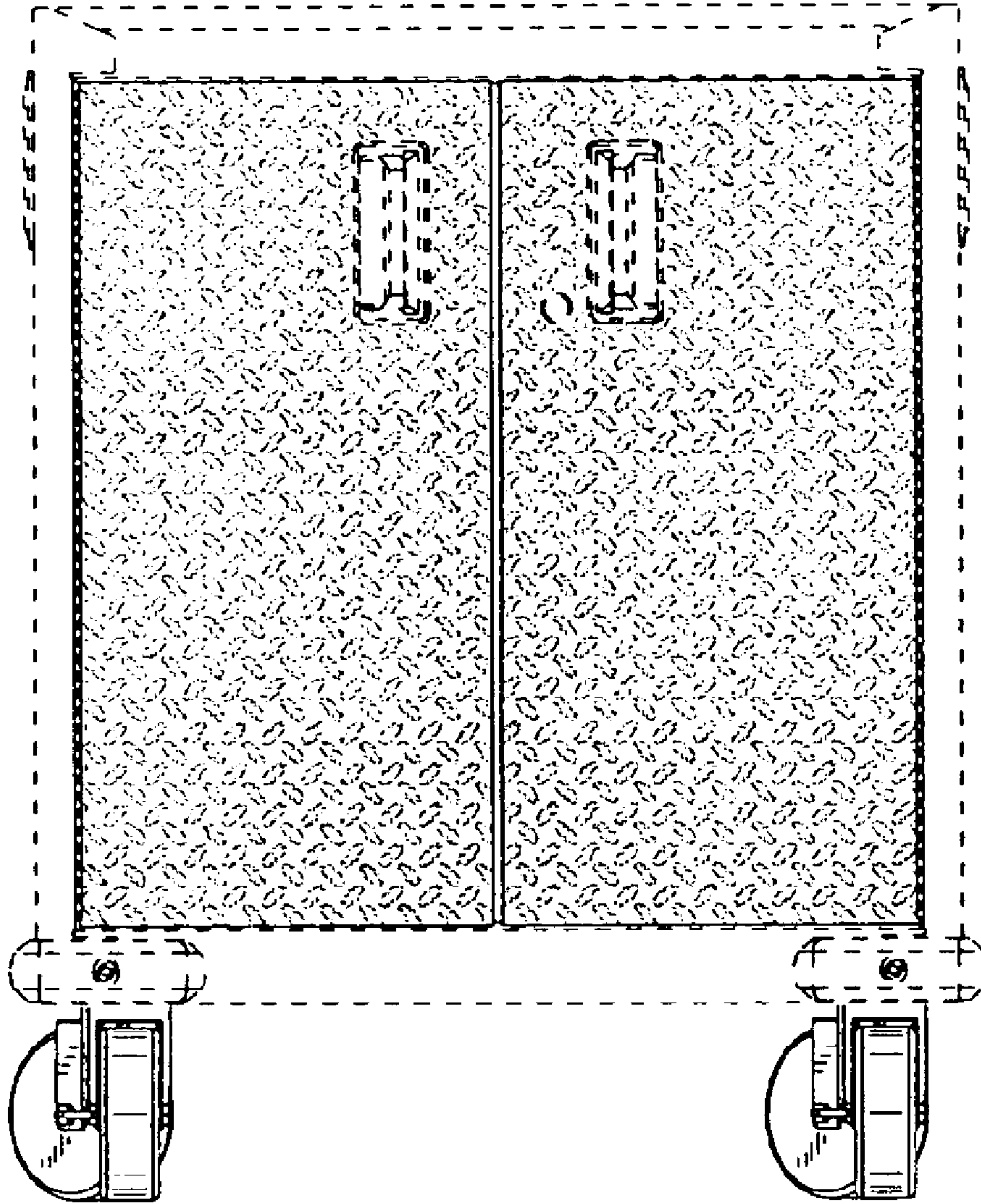


Fig. 1



**Fig. 2**



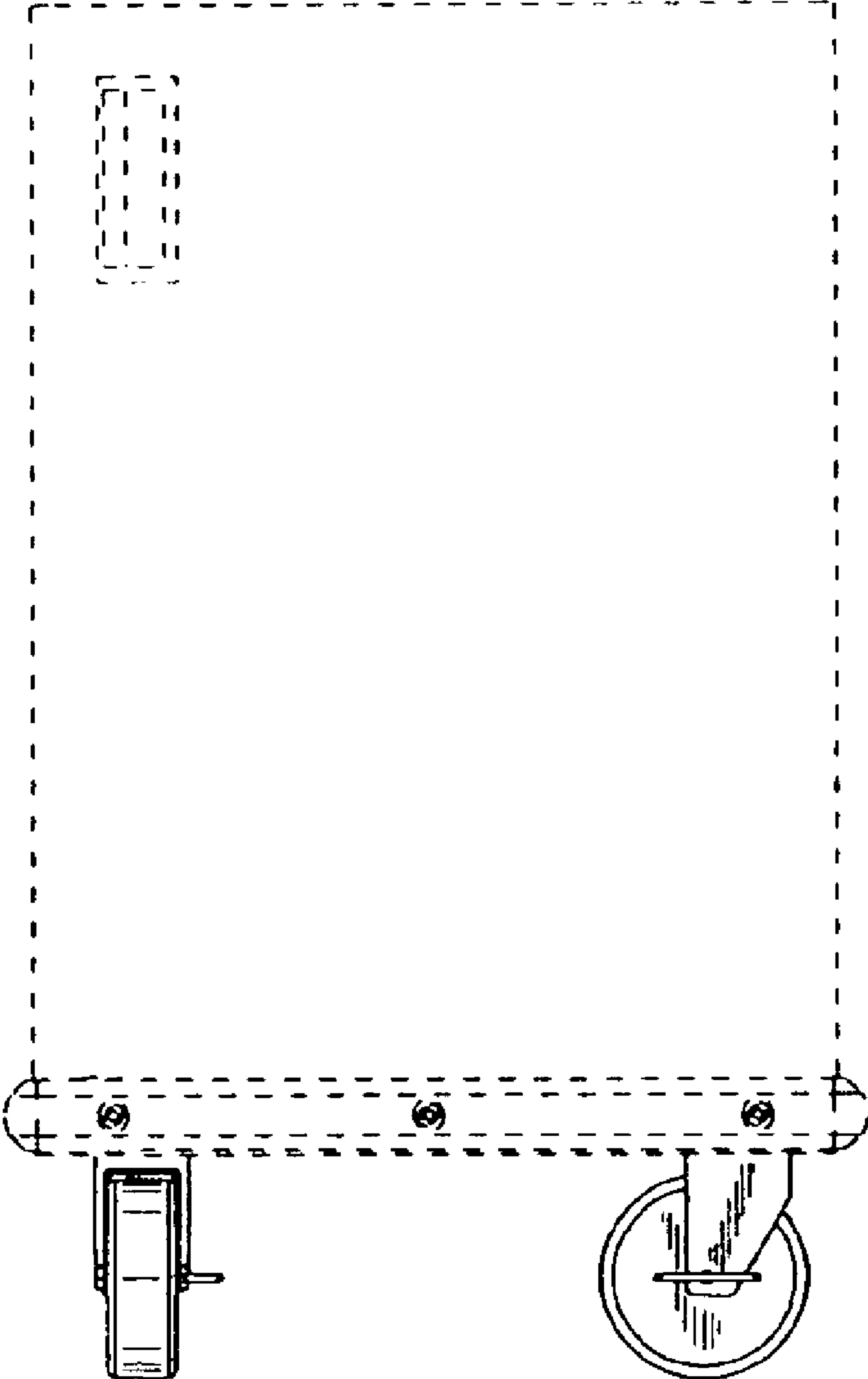


Fig. 3

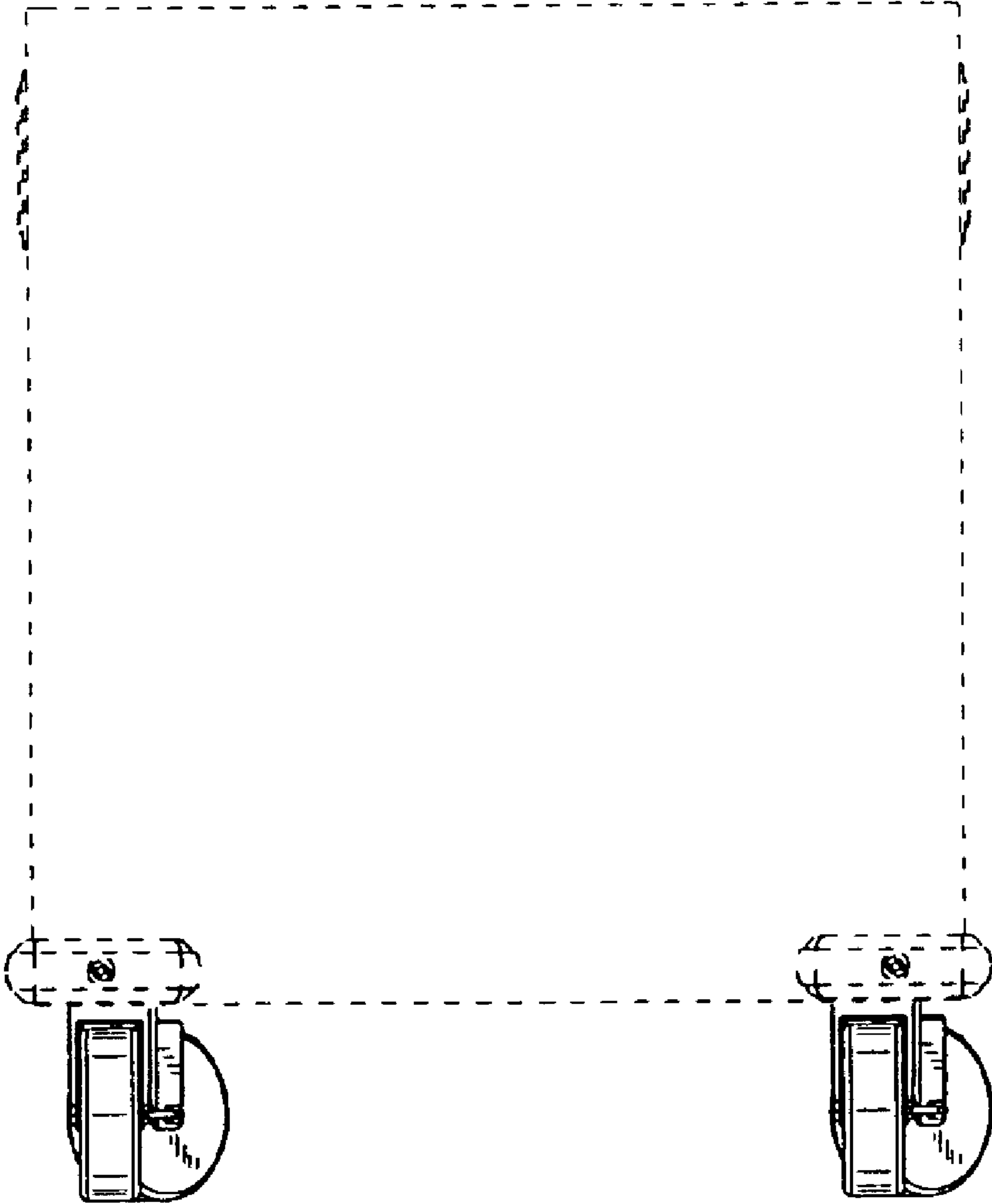


Fig. 4