



US00D507913S

(12) **United States Design Patent** (10) **Patent No.:** **US D507,913 S**
Paus (45) **Date of Patent:** **** Aug. 2, 2005**

(54) **ENDBOARD**

(75) Inventor: **Michael J. Paus**, High Point, NC (US)

(73) Assignee: **Thomasville Furniture Industries, Inc.**, Thomasville, NC (US)

(**) Term: **14 Years**

(21) Appl. No.: **29/205,289**

(22) Filed: **May 12, 2004**

(51) **LOC (8) Cl.** **06-06**

(52) **U.S. Cl.** **D6/505**

(58) **Field of Search** D6/382, 383, 390-395,
D6/505-508; 5/53.1, 907, 279.1, 280, 281,
308

(56) **References Cited**

U.S. PATENT DOCUMENTS

D273,831 S	*	5/1984	Brunner et al.	D6/505
D356,452 S	*	3/1995	Proano et al.	D6/391
D367,773 S	*	3/1996	Lewis	D6/393
D423,246 S		4/2000	Cain	D6/393
D435,357 S	*	12/2000	Craig	D6/389
D459,120 S		6/2002	Stanton	D6/505
D485,696 S	*	1/2004	Risdon et al.	D6/393

OTHER PUBLICATIONS

9138 Arabella Bed Footboard, Lewis Mittman, date unknown, available as of the filing date.
Louis Philippe Platform Bed, Pennsylvania House Life Collector's Book, 22nd Edition, p. 5, Winter/Spring 2003.

Panel Headboard and Footboard, Madison County Collection brochure, Thomasville Furniture Industries, Inc., p. 5, 2001.

* cited by examiner

Primary Examiner—Janice E. Seeger

(74) *Attorney, Agent, or Firm*—Womble Carlyle Sandridge & Rice, PLLC

(57) **CLAIM**

The ornamental design for an endboard, as shown and described.

DESCRIPTION

FIG. 1 is a perspective view of a first embodiment of an endboard showing my new design, and including broken lines indicating representative environmental elements;
FIG. 2 is a front elevational view thereof, and including broken lines indicating representative environmental elements;

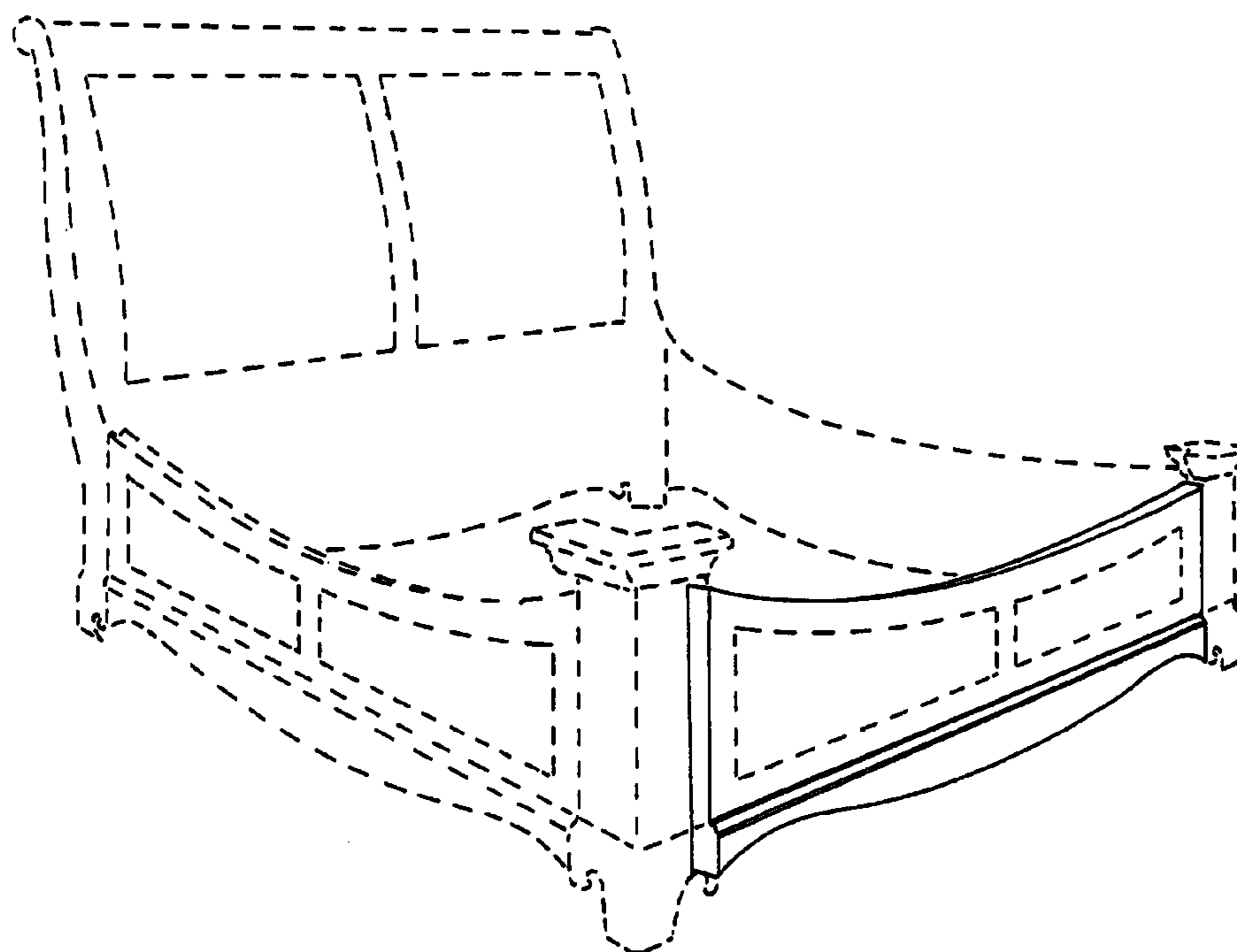
FIG. 3 is an end elevational view thereof;

FIG. 4 is a top view thereof; and,

FIG. 5 is a perspective view of a second embodiment of an endboard showing my new design in a side rail configuration, and including broken lines indicating representative environmental elements.

The views of the endboard not shown form no part of the claimed design. The broken lines depicting a bed in FIGS. 1, 3 and 5 represent environmental elements only and form no part of the claimed design.

1 Claim, 3 Drawing Sheets



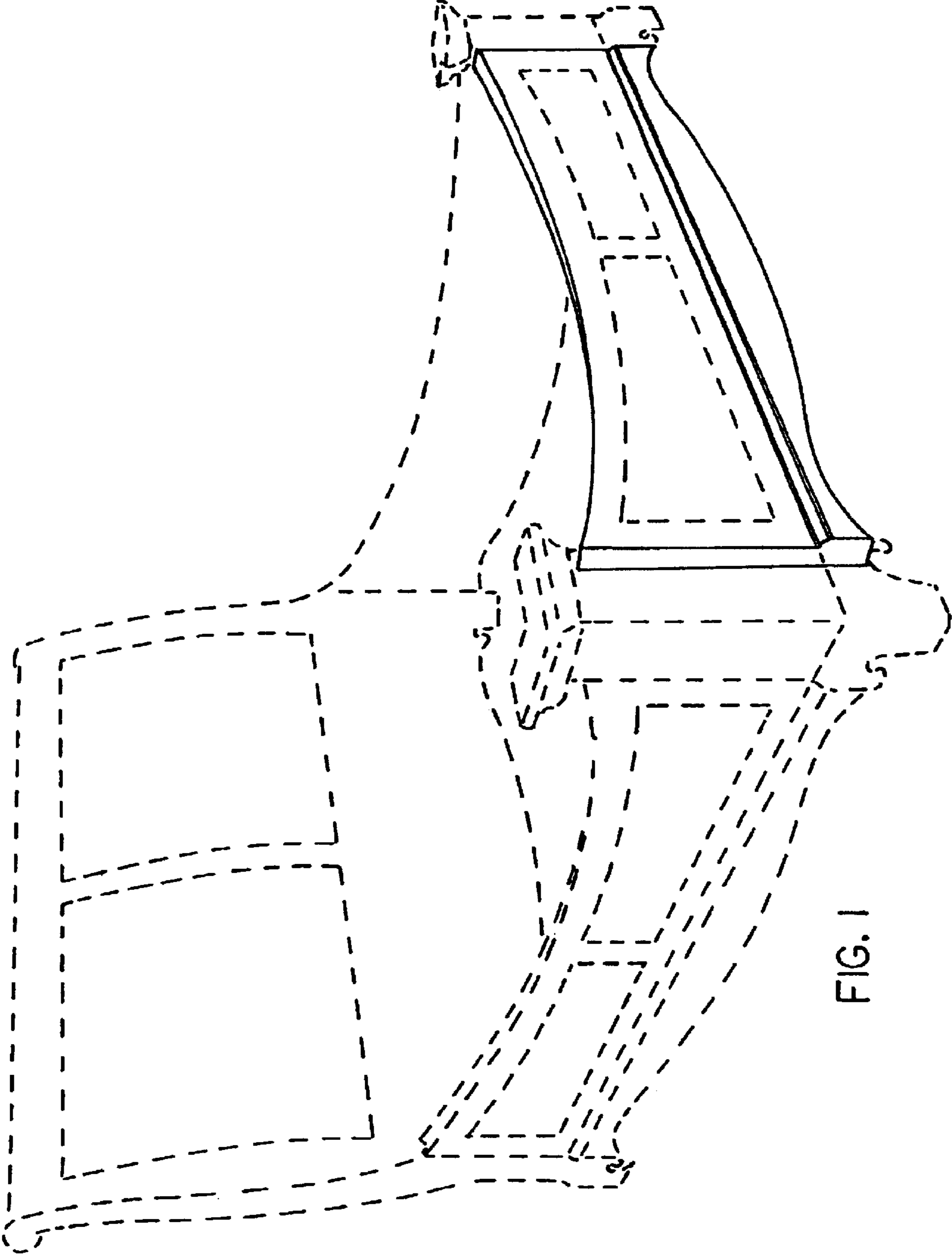


FIG. 1

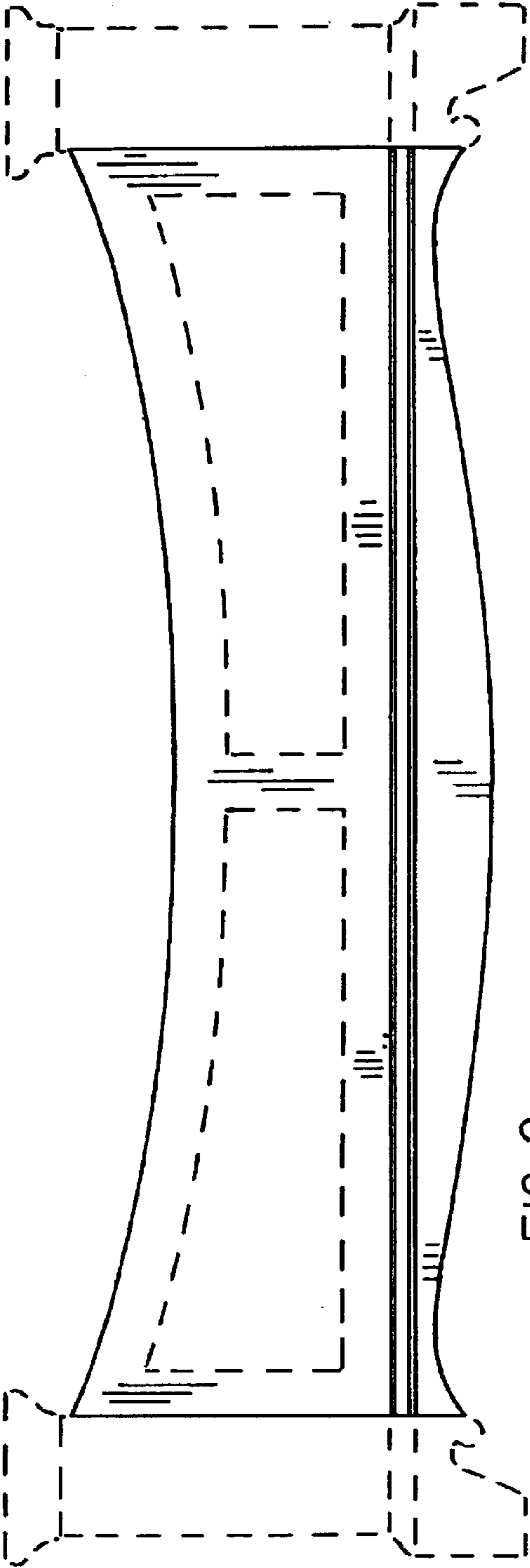


FIG. 2



FIG. 3



FIG. 4

