

US00D507910S

(12) **United States Design Patent**
Bock

(10) **Patent No.:** **US D507,910 S**
(45) **Date of Patent:** **** Aug. 2, 2005**

- (54) **HEADREST**
- (75) **Inventor:** **Hermann Bock, Pyrbaum (DE)**
- (73) **Assignee:** **Bock 1 GmbH & Co. KG,**
Postbauer-Heng (DE)
- (**) **Term:** **14 Years**
- (21) **Appl. No.:** **29/214,760**
- (22) **Filed:** **Oct. 7, 2004**
- (30) **Foreign Application Priority Data**
Jun. 9, 2004 (EM) 000187133
- (51) **LOC (8) Cl.** **06-06**
- (52) **U.S. Cl.** **D6/501**
- (58) **Field of Search** D6/334, 356, 364,
D6/365, 366, 367, 500, 501, 502; 297/391,
394, 396, 397, 405, 410

(56) **References Cited**

U.S. PATENT DOCUMENTS

165,286 A *	7/1875	White	297/405
547,389 A *	10/1895	Akeley	297/394
619,272 A *	2/1899	Browne	297/405
691,854 A *	1/1902	Greer	297/391
736,844 A *	8/1903	Greer	297/396
2,807,313 A *	9/1957	Kaufman	297/396

2,973,029 A *	2/1961	Schlosstein	297/391
3,498,670 A *	3/1970	Finch et al.	297/396
3,761,128 A *	9/1973	Schenk et al.	297/410
4,128,274 A *	12/1978	Schmedemann	297/410
6,755,472 B2 *	6/2004	Stenzel et al.	297/410
2003/0141751 A1 *	7/2003	Stenzel et al.	297/410

* cited by examiner

Primary Examiner—Mimosa De

(74) *Attorney, Agent, or Firm*—Laurence A. Greenberg;
Werner H. Stemer; Ralph E. Locher

(57) **CLAIM**

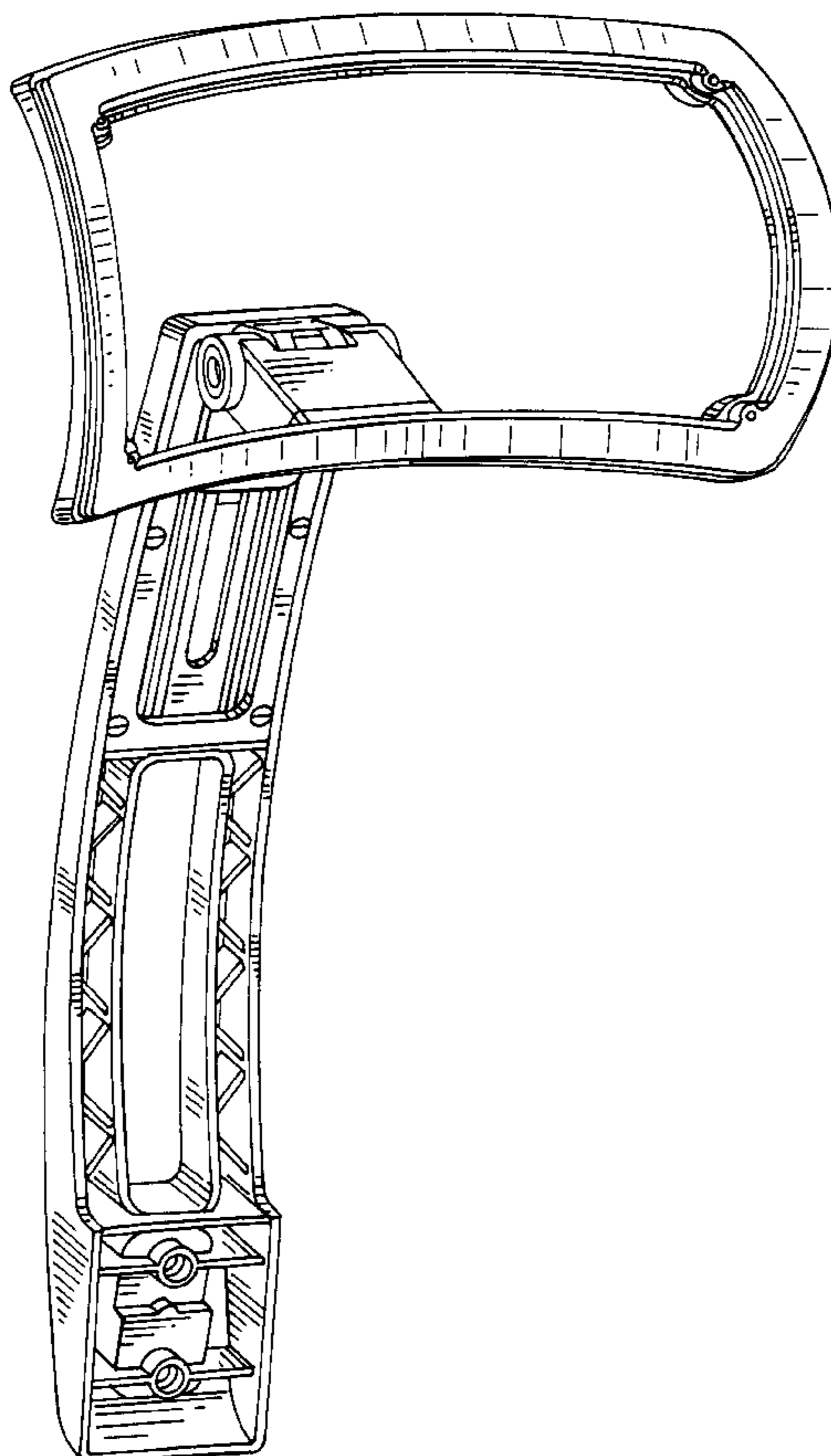
The ornamental design for a headrest, as shown and described.

DESCRIPTION

FIG. 1 is a front perspective view of the headrest according to my new design;
FIG. 2 is a rear perspective view thereof;
FIG. 3 is a front elevational view thereof;
FIG. 4 is a rear elevational view thereof; and,
FIG. 5 is a side elevational view thereof, it being understood that the opposite side forms a mirror image of the illustrated view.

The dashed-line drawing of an upholstery or head protector element is provided for illustrative purposes only and forms no part of the invention.

1 Claim, 5 Drawing Sheets



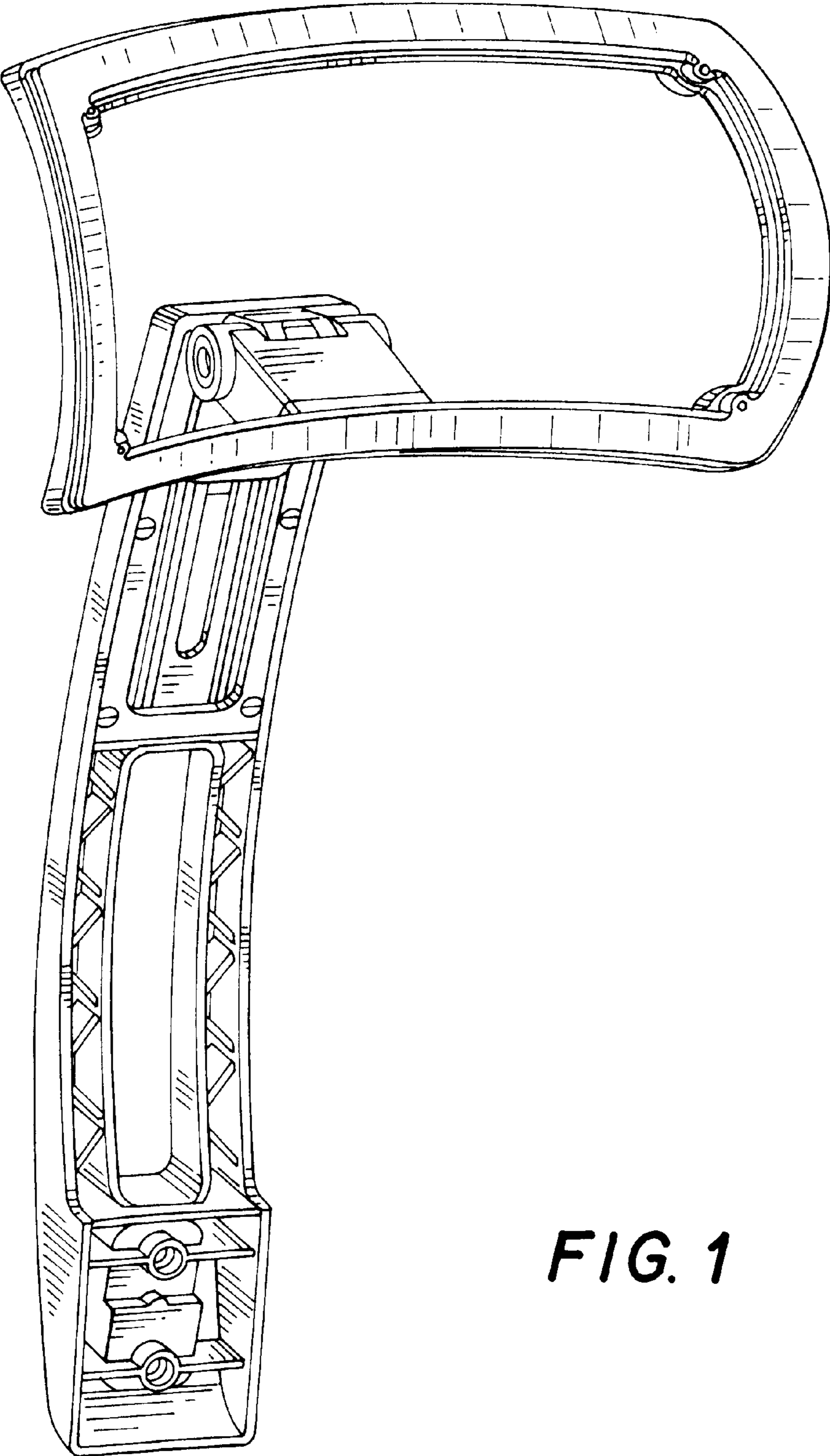


FIG. 1

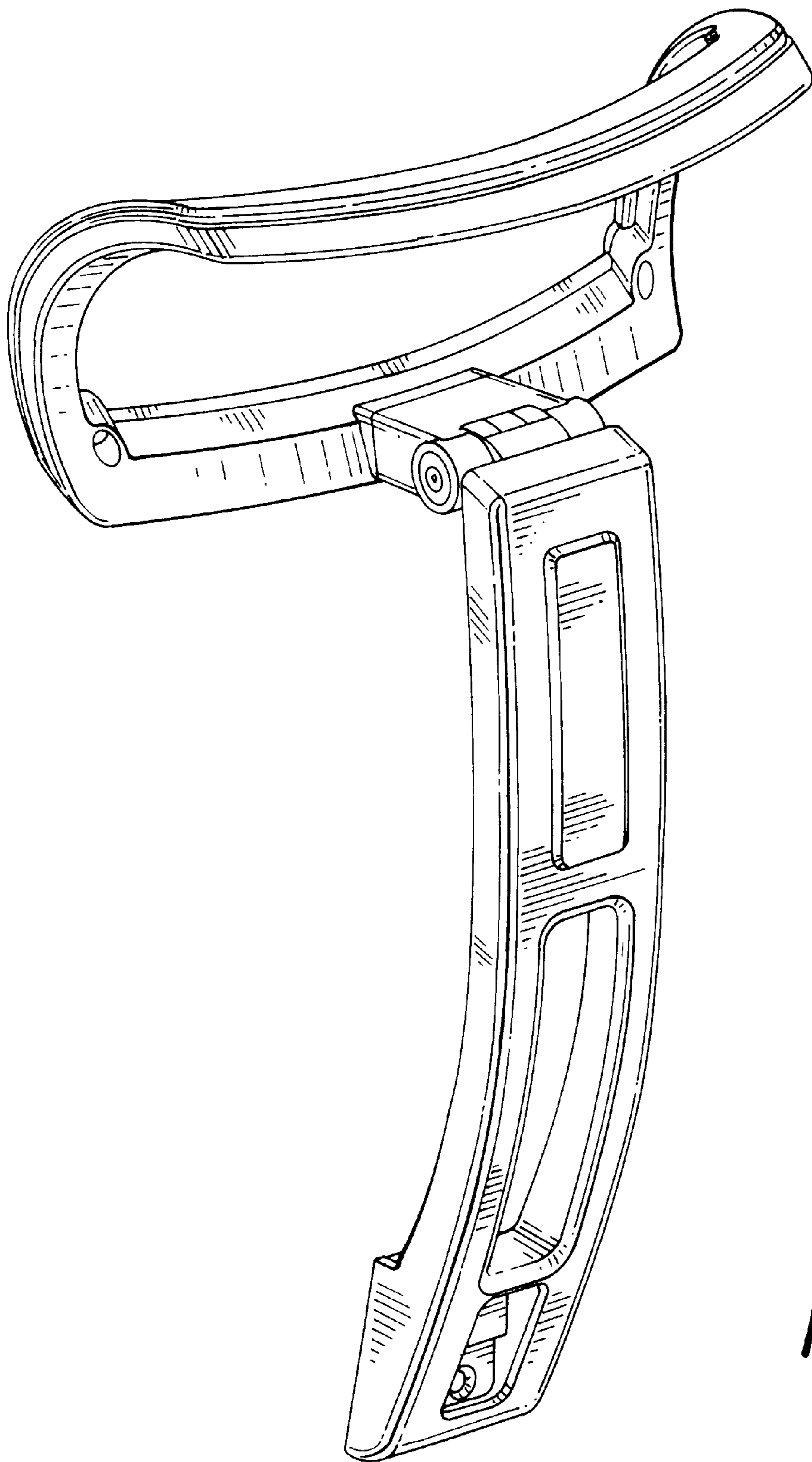


FIG. 2

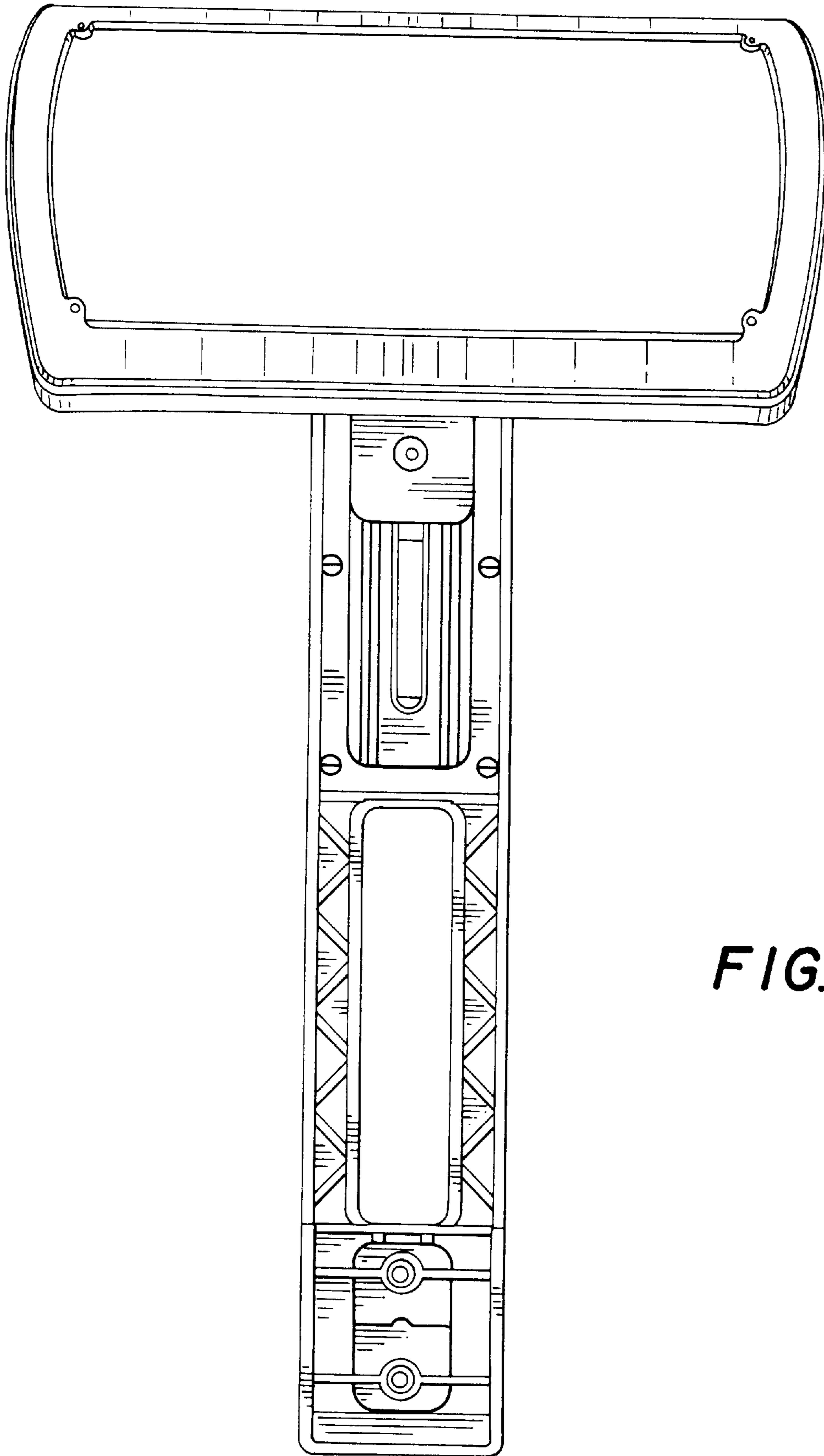


FIG. 3

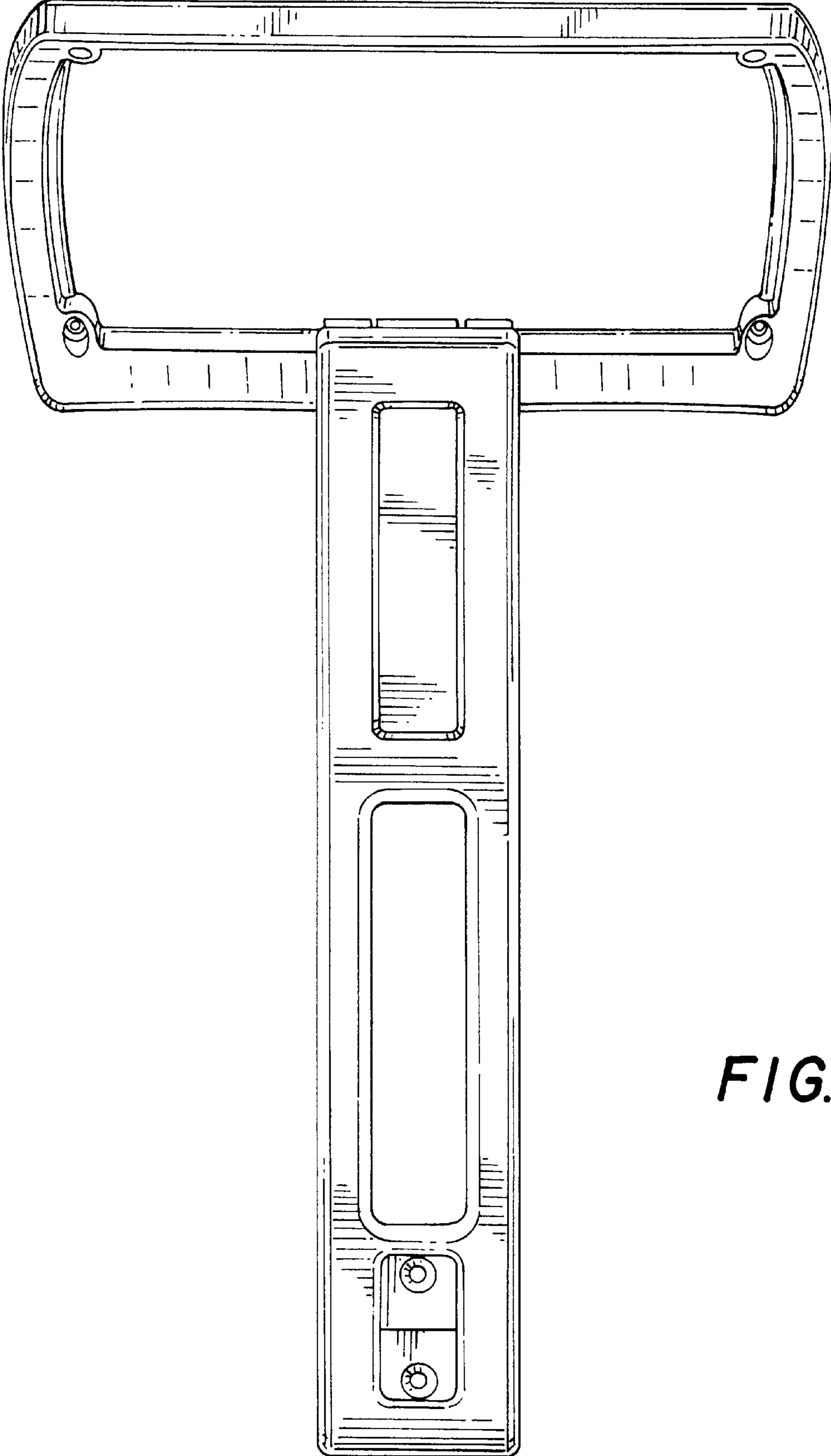


FIG. 4

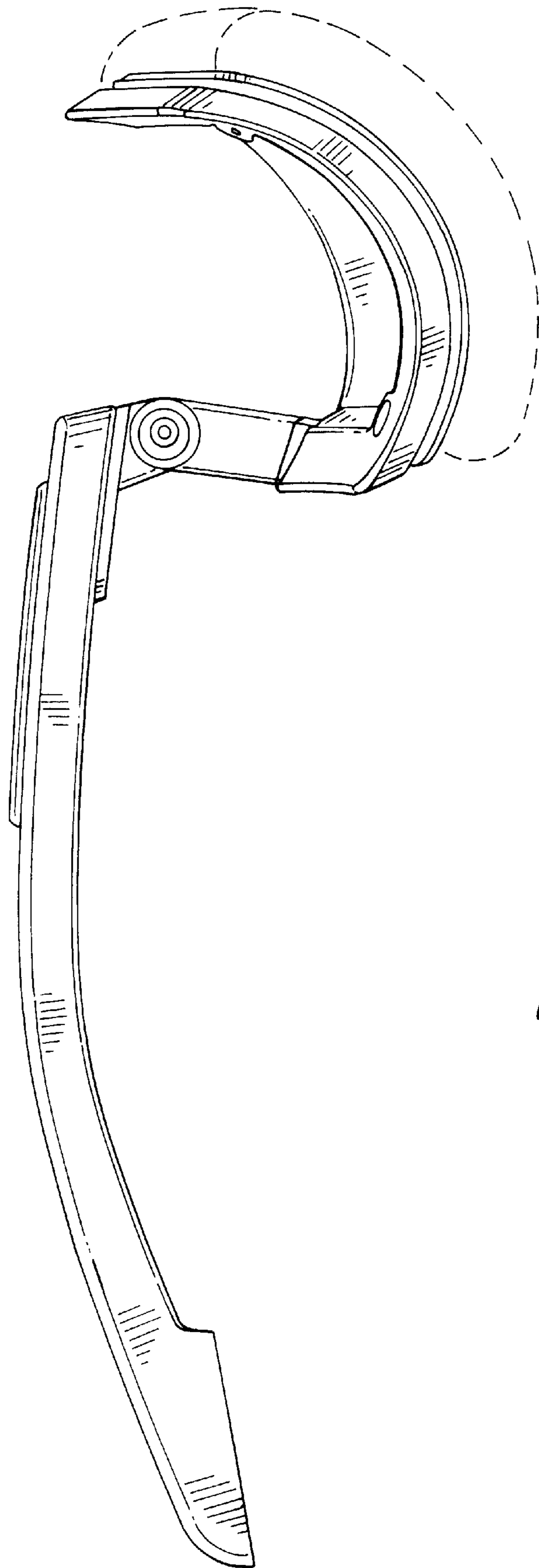


FIG. 5