



US00D507909S

(12) **United States Design Patent**  
**Grove**

(10) **Patent No.:** **US D507,909 S**

(45) **Date of Patent:** **\*\* Aug. 2, 2005**

(54) **REVERSELY CURVED CHAIR ARM**

D491,399 S \* 6/2004 Chi ..... D6/501  
D491,758 S \* 6/2004 True ..... D6/501

(76) Inventor: **James E. Grove**, 4316 Marina City Dr.,  
#423CTN, Marina del Rey, CA (US)  
90292

\* cited by examiner

*Primary Examiner*—Mimosa De

(74) *Attorney, Agent, or Firm*—Jack C. Munro

(\*\*) Term: **14 Years**

(57) **CLAIM**

(21) Appl. No.: **29/213,707**

The ornamental design for reversely curved chair arm, as shown.

(22) Filed: **Sep. 21, 2004**

(51) **LOC (8) Cl.** ..... **06-06**

**DESCRIPTION**

(52) **U.S. Cl.** ..... **D6/501; D6/366**

(58) **Field of Search** ..... D6/334, 364, 365,  
D6/366, 367, 379, 500, 501, 502; 297/411.2,  
411.25, 411.27, 411.28

FIG. 1 is a front isometric view of the reversely curved chair arm showing my new design also showing a typical chair back in phantom to depict the typical mounting with a chair; FIG. 2 is a front elevational view thereof; FIG. 3 is a left side elevational view thereof; FIG. 4 is a rear elevational view thereof; FIG. 5 is a right side elevational view thereof; FIG. 6 is a top plan view thereof; and, FIG. 7 is a bottom plan view thereof.

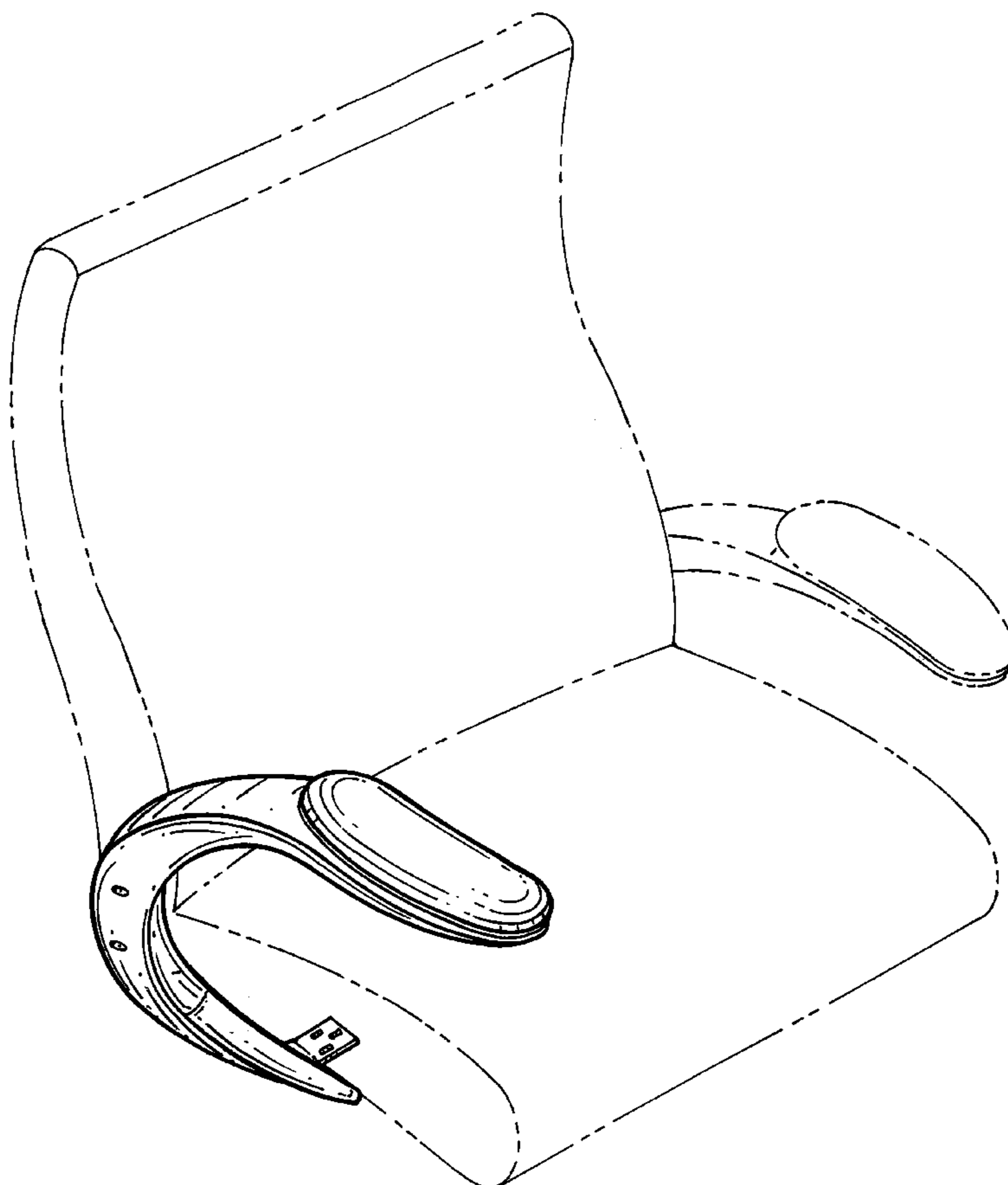
The phantom line shown in FIG. 1 is for illustrative purposes only and forms no part of the claimed design.

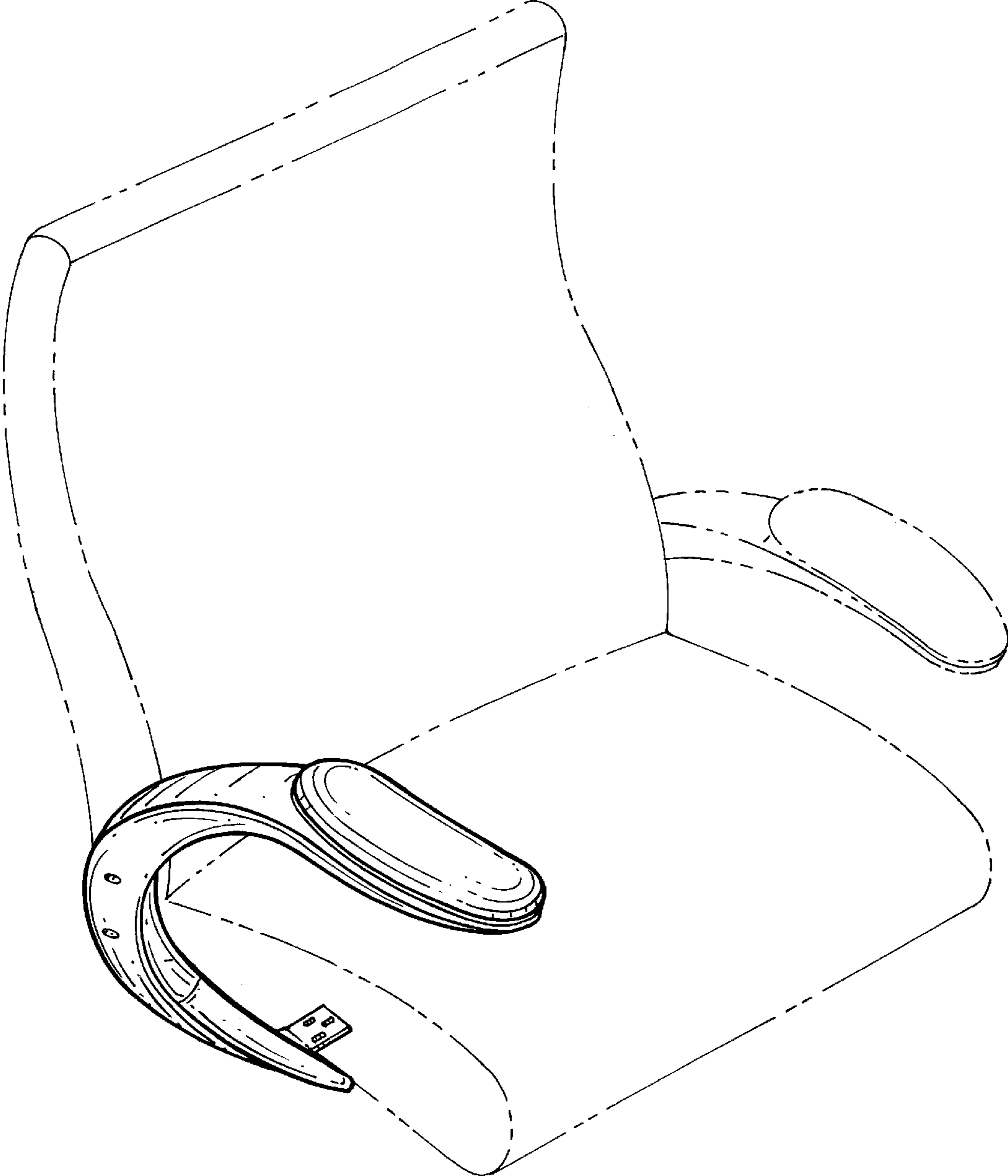
(56) **References Cited**

**U.S. PATENT DOCUMENTS**

D369,706 S	*	5/1996	Olson	.....	D6/501
D397,258 S	*	8/1998	Heyder et al.	.....	D6/366
D435,747 S	*	1/2001	Ho-Tsai et al.	.....	D6/501
D446,061 S	*	8/2001	Su	.....	D6/501
D465,361 S	*	11/2002	Chi	.....	D6/501
D474,051 S	*	5/2003	Tseng	.....	D6/500
D474,052 S	*	5/2003	True	.....	D6/501

**1 Claim, 3 Drawing Sheets**

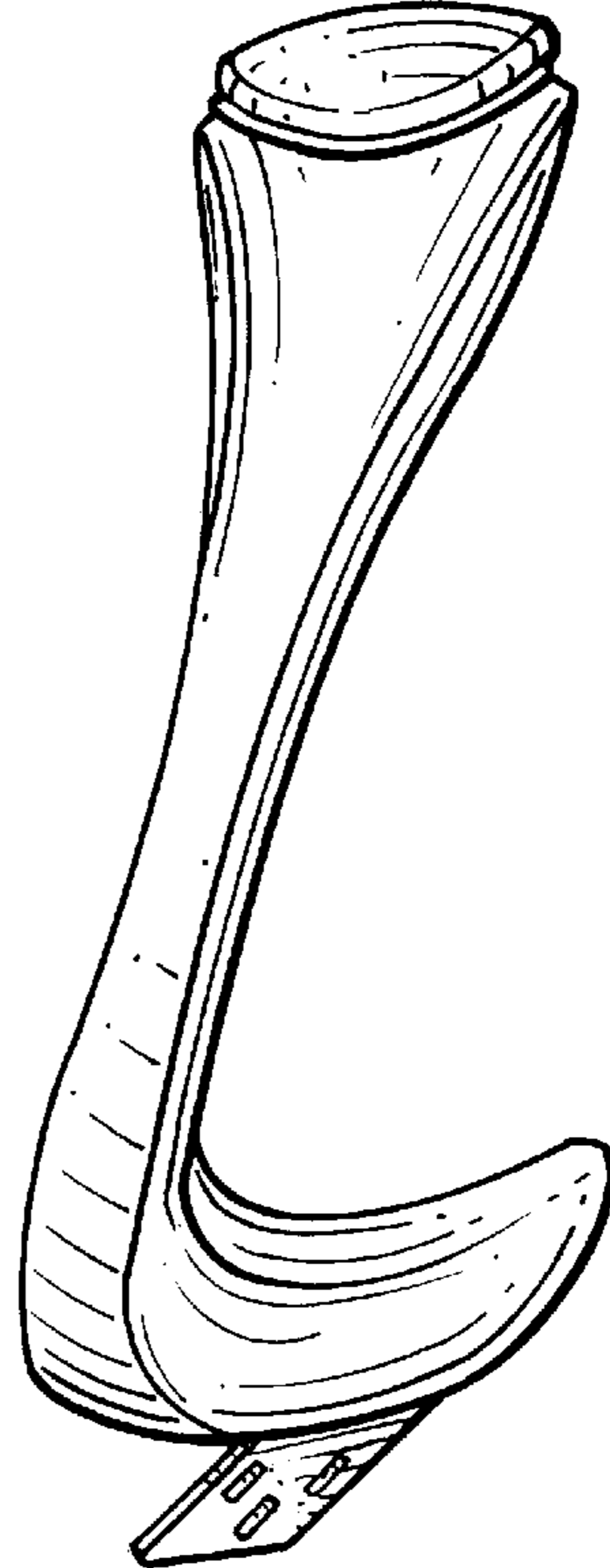




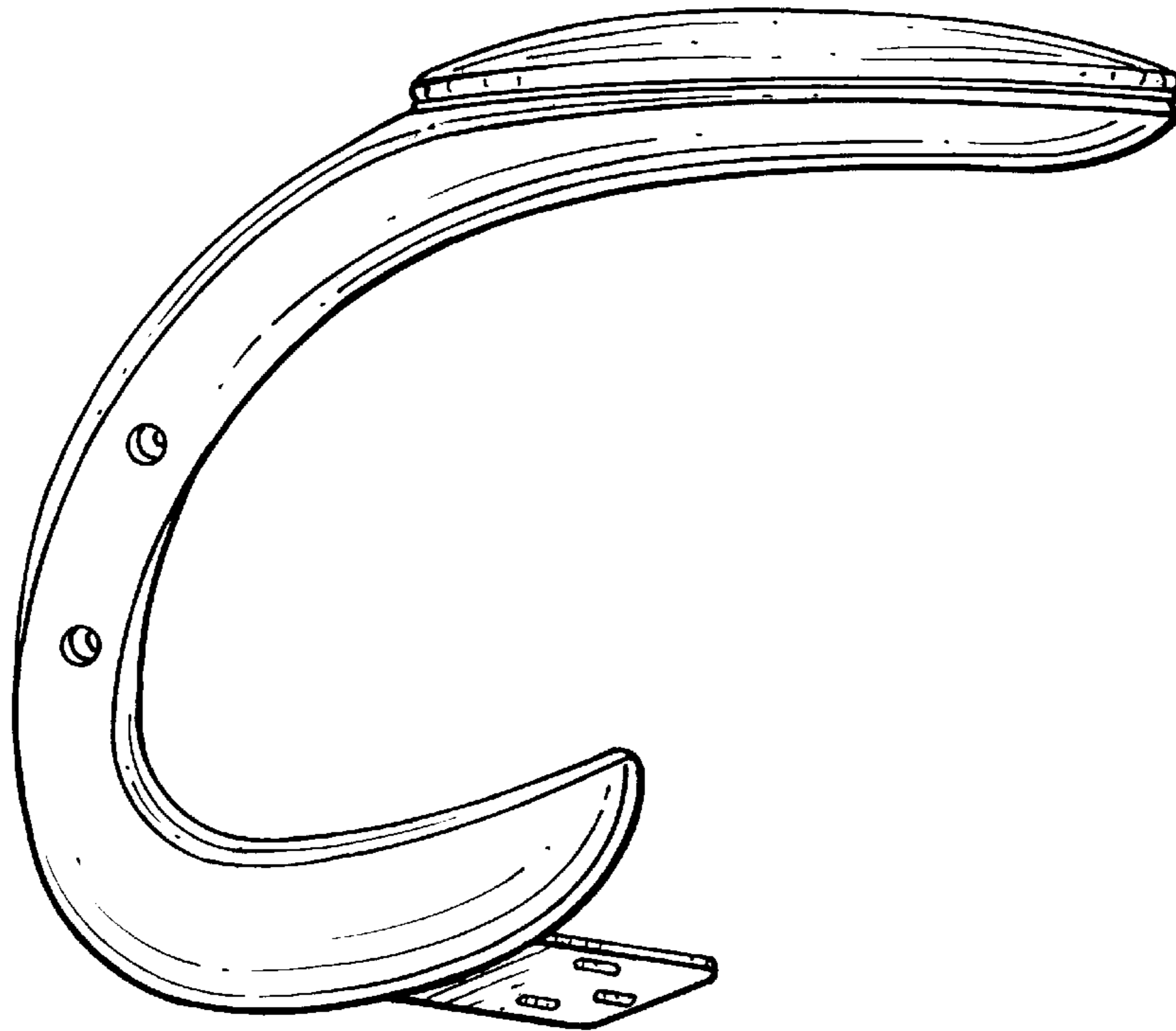
*Fig. 1.*



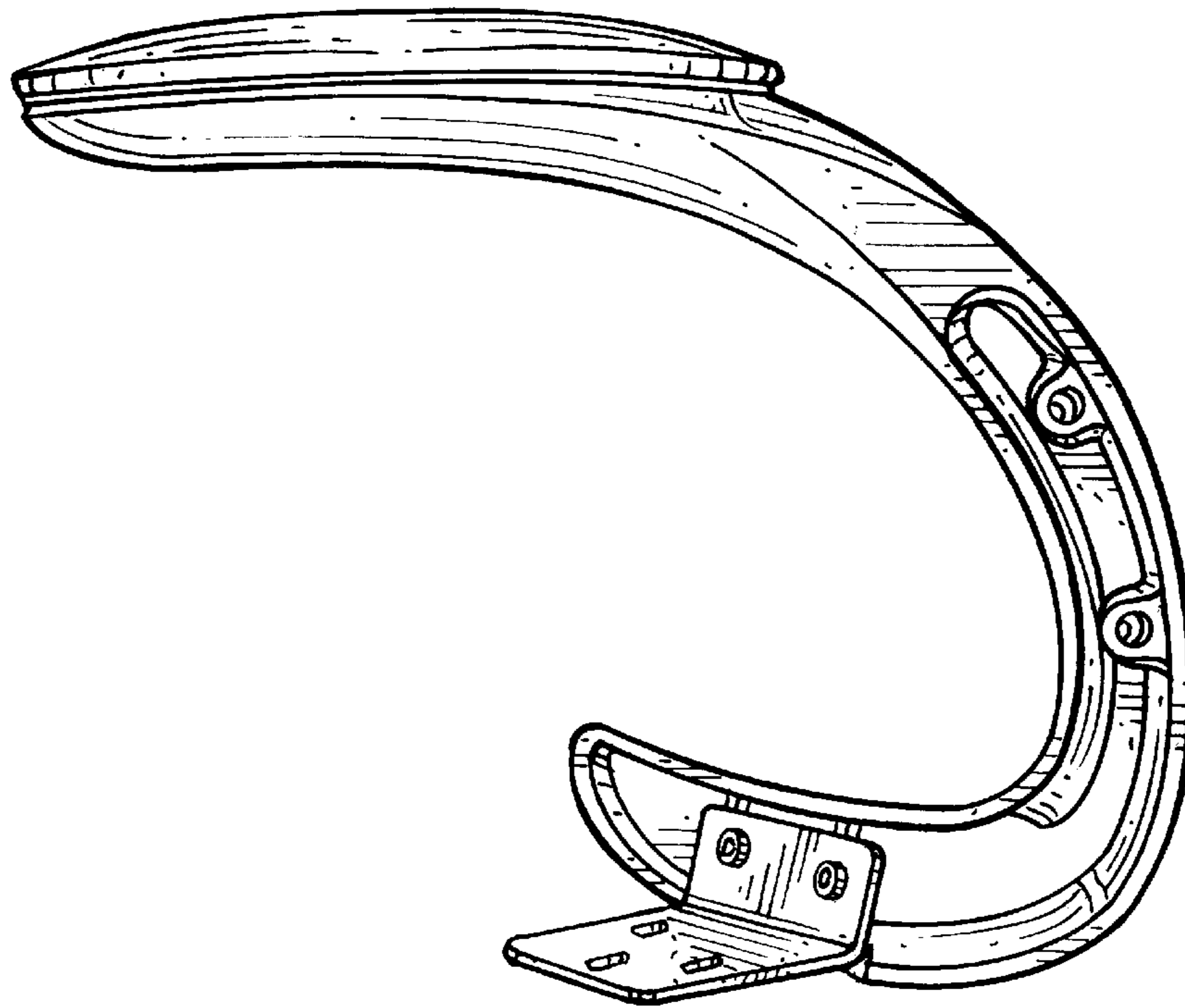
*Fig. 2.*



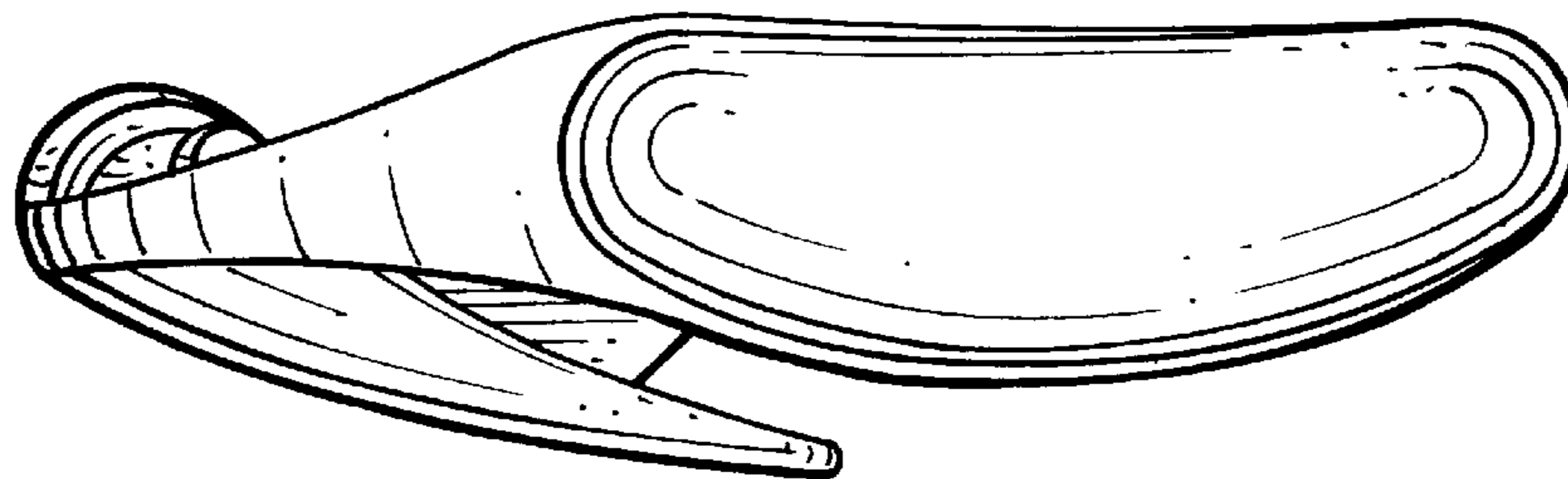
*Fig. 4.*



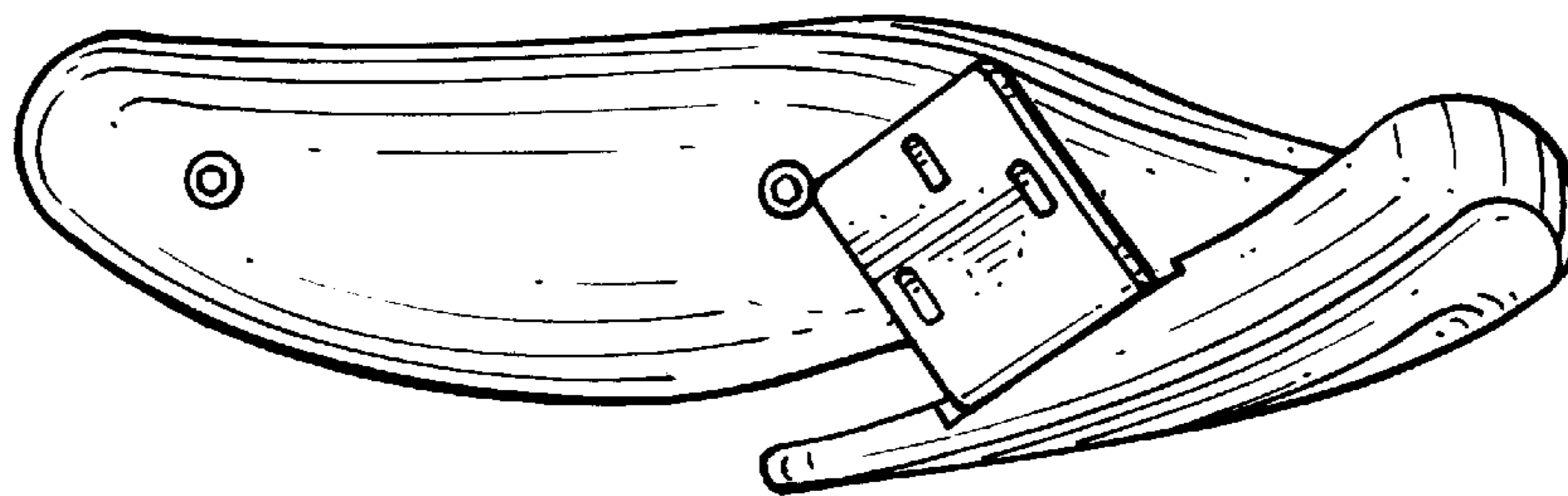
*Fig. 3.*



*Fig. 5.*



*Fig. 6.*



*Fig. 7.*