

US00D507908S

(12) **United States Design Patent**  
**Koepke et al.**

(10) **Patent No.:** **US D507,908 S**

(45) **Date of Patent:** **\*\* Aug. 2, 2005**

(54) **CHAIR ARM PAD**

(75) Inventors: **Marcus C. Koepke**, Indianapolis, IN (US); **Brian R. Trego**, Muscatine, IA (US); **Jay R. Machael**, Muscatine, IA (US)

(73) Assignee: **Hon Technology Inc.**, Musatine, IA (US)

(\*\*) Term: **14 Years**

(21) Appl. No.: **29/196,621**

(22) Filed: **Dec. 30, 2003**

(51) **LOC (8) Cl.** ..... **06-06**

(52) **U.S. Cl.** ..... **D6/501; D6/366**

(58) **Field of Search** ..... D6/334, 364, 365, D6/366, 367, 500, 501, 502; 297/411.2, 411.27, 411.31, 411.36

(56) **References Cited**

**U.S. PATENT DOCUMENTS**

D401,771 S	*	12/1998	Goodworth et al. ....	D6/366
D410,799 S	*	6/1999	Meda .....	D6/366
D446,033 S	*	8/2001	Koepke et al. ....	D6/366
D447,654 S	*	9/2001	Ho .....	D6/501
D471,024 S	*	3/2003	Chadwick et al. ....	D6/366
D487,359 S	*	3/2004	Giugiaro .....	D6/366

D489,542 S	*	5/2004	Giugiaro .....	D6/366
D490,621 S	*	6/2004	Newhouse .....	D6/366
D500,218 S	*	12/2004	Koepke et al. ....	D6/501
D500,607 S	*	1/2005	Tsai .....	D6/366
2003/0214171 A1		11/2003	Burwell et al.	
2003/0227208 A1		12/2003	Burwell et al.	

\* cited by examiner

*Primary Examiner*—Mimosa De

(74) *Attorney, Agent, or Firm*—Ronald A. Sandler; Jones Day

(57) **CLAIM**

We claim the ornamental design for a chair arm pad, as shown and described.

**DESCRIPTION**

FIG. 1 is a front isometric view of a left side chair arm pad showing the new design, the broken line depicting a portion of a chair for illustrative purposes only and forming no part of the claimed design;

FIG. 2 is a left side view thereof, the right side being essentially identical in configuration;

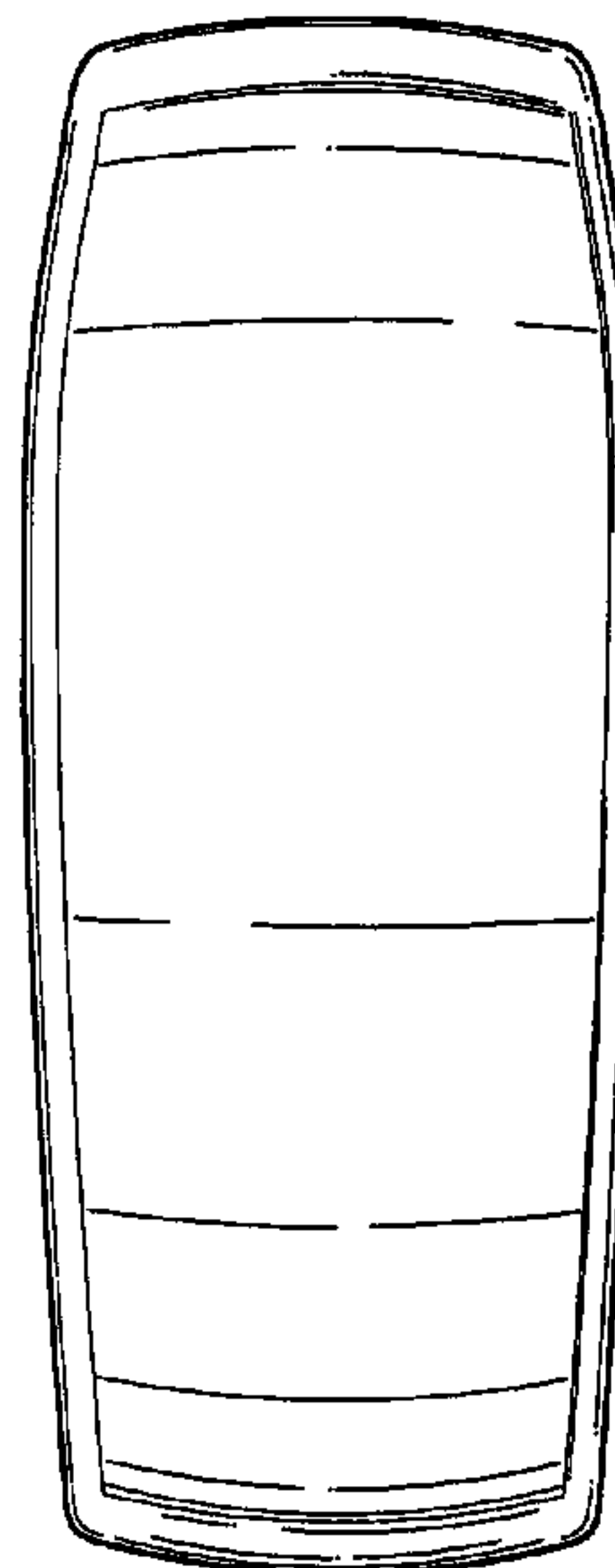
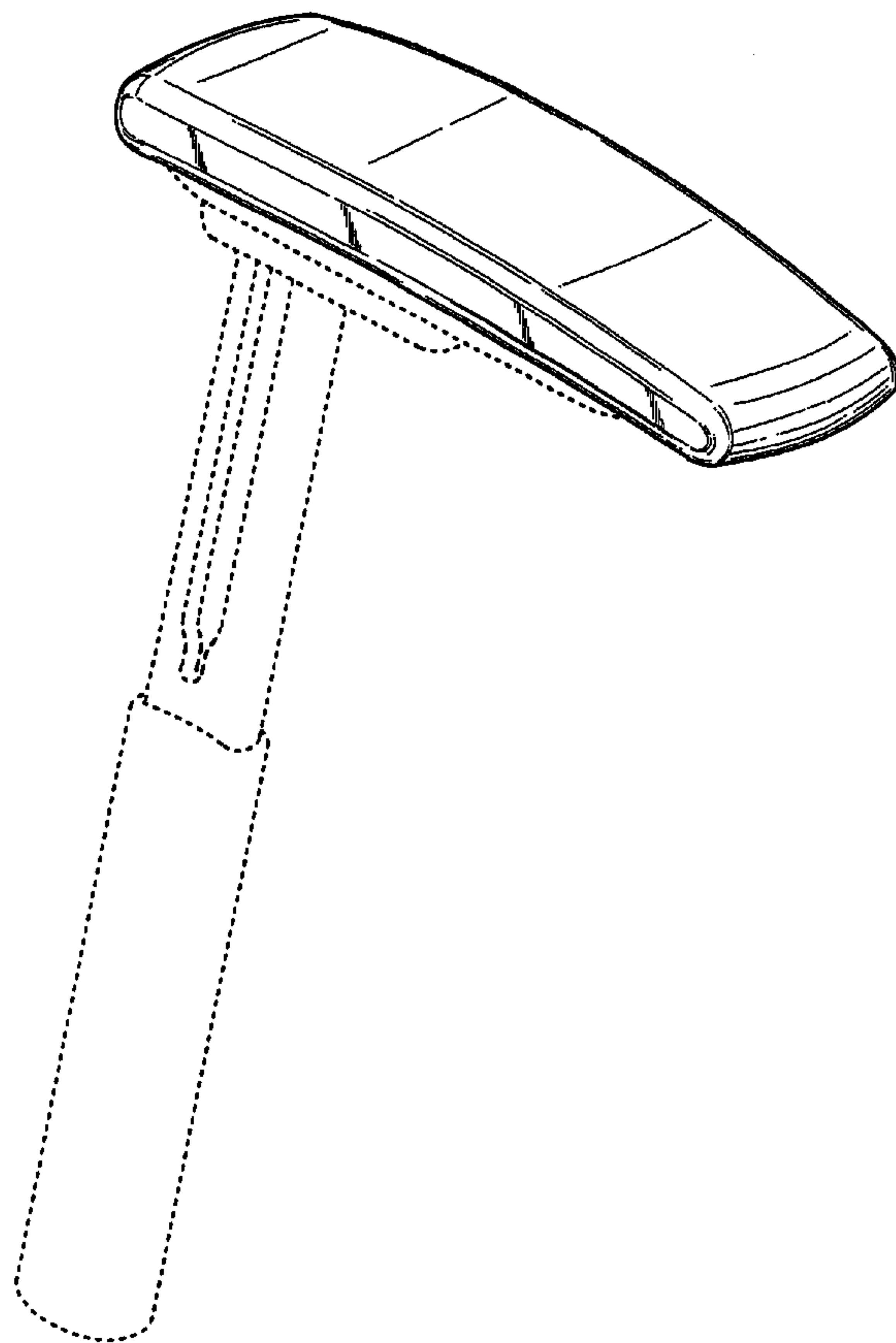
FIG. 3 is a front view thereof

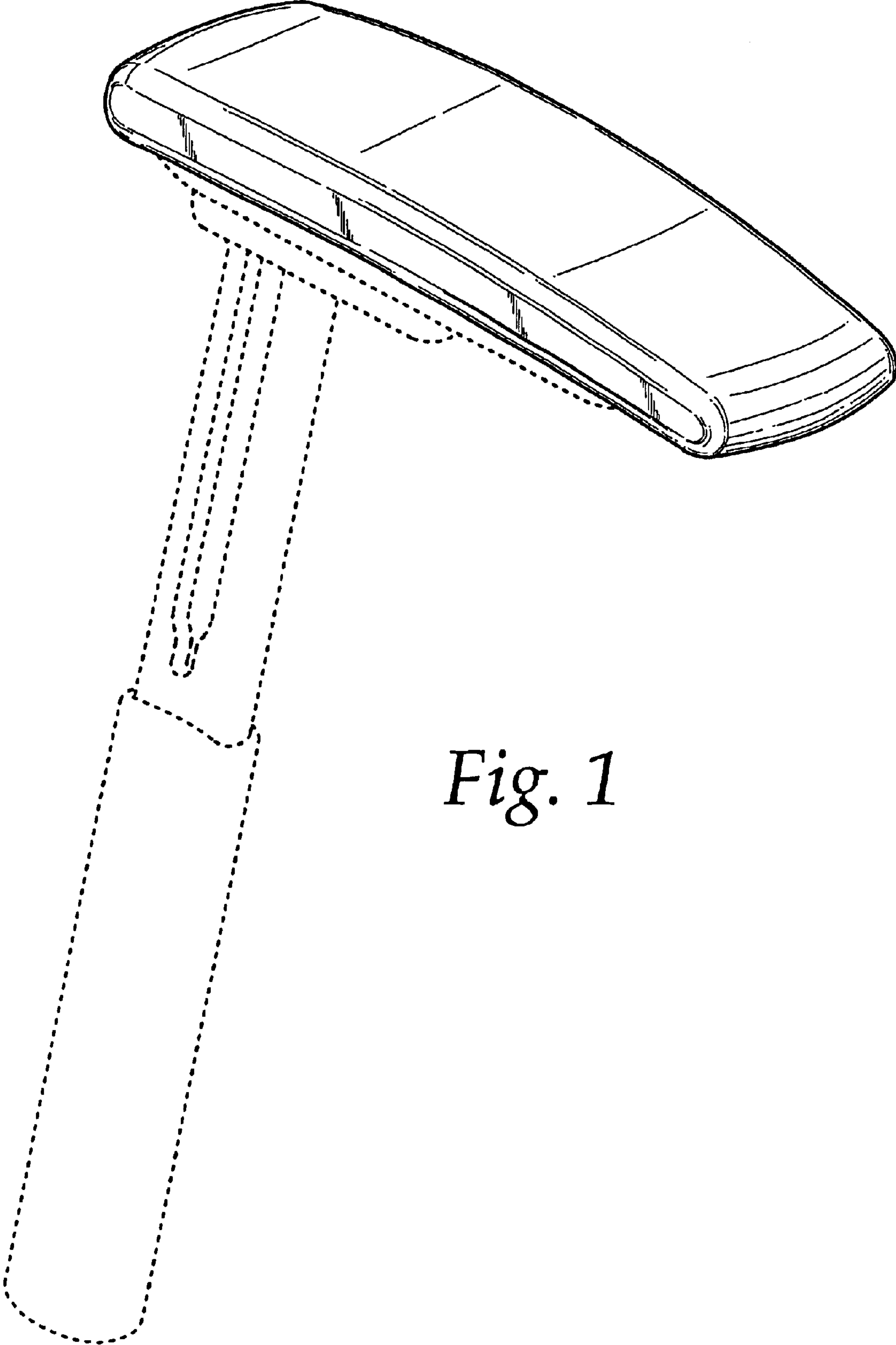
FIG. 4 is a rear view thereof;

FIG. 5 is a top view thereof; and,

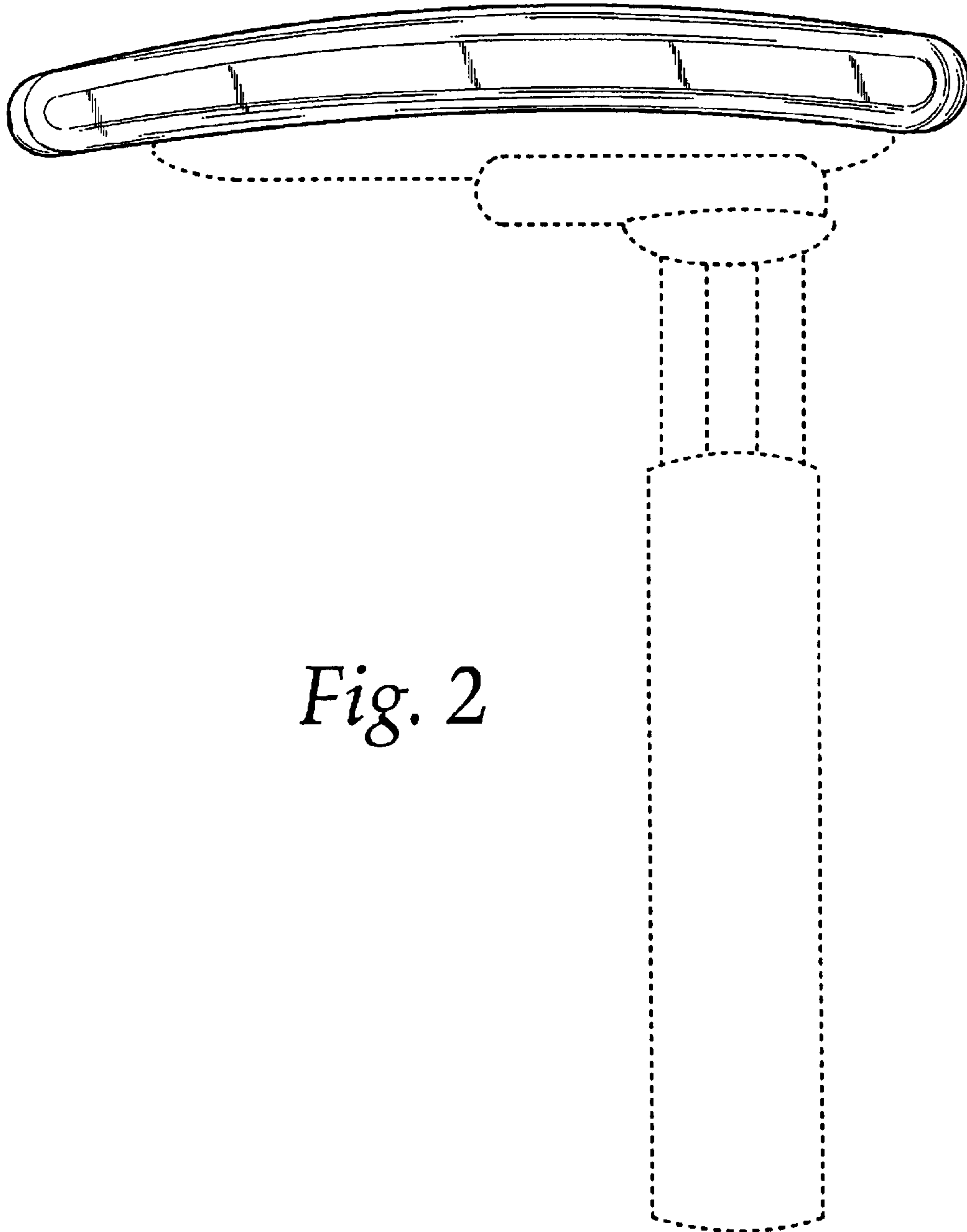
FIG. 6 is a bottom view thereof.

**1 Claim, 4 Drawing Sheets**

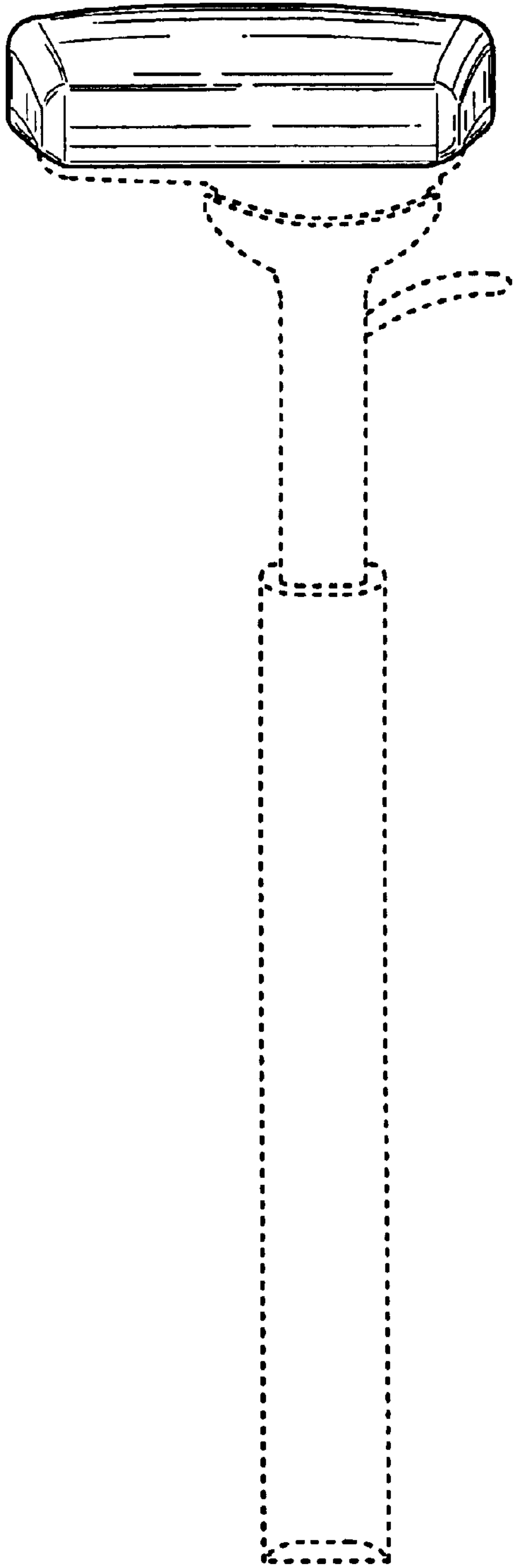




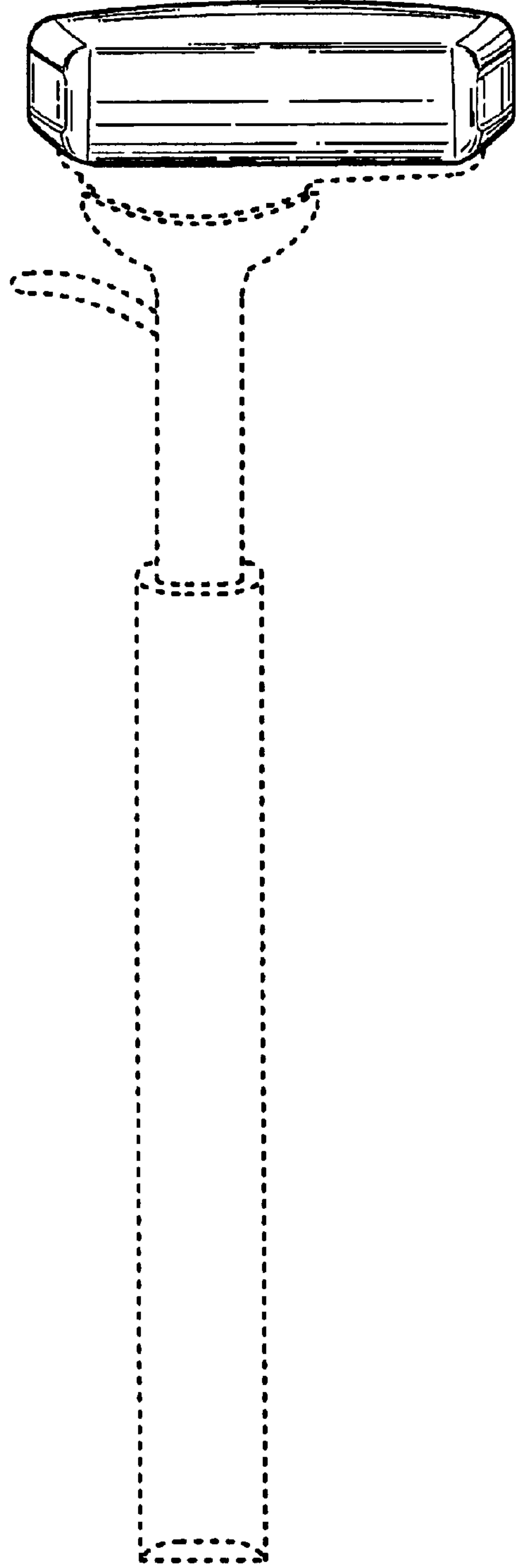
*Fig. 1*



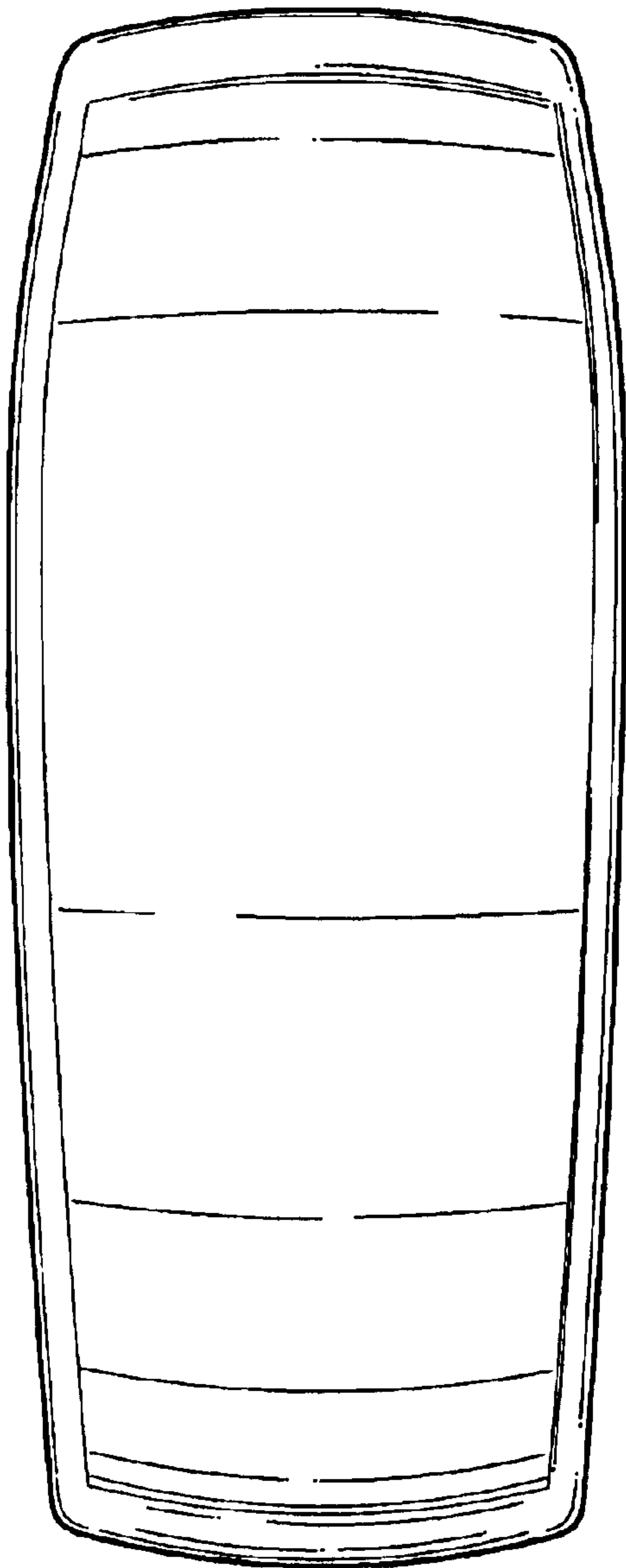
*Fig. 2*



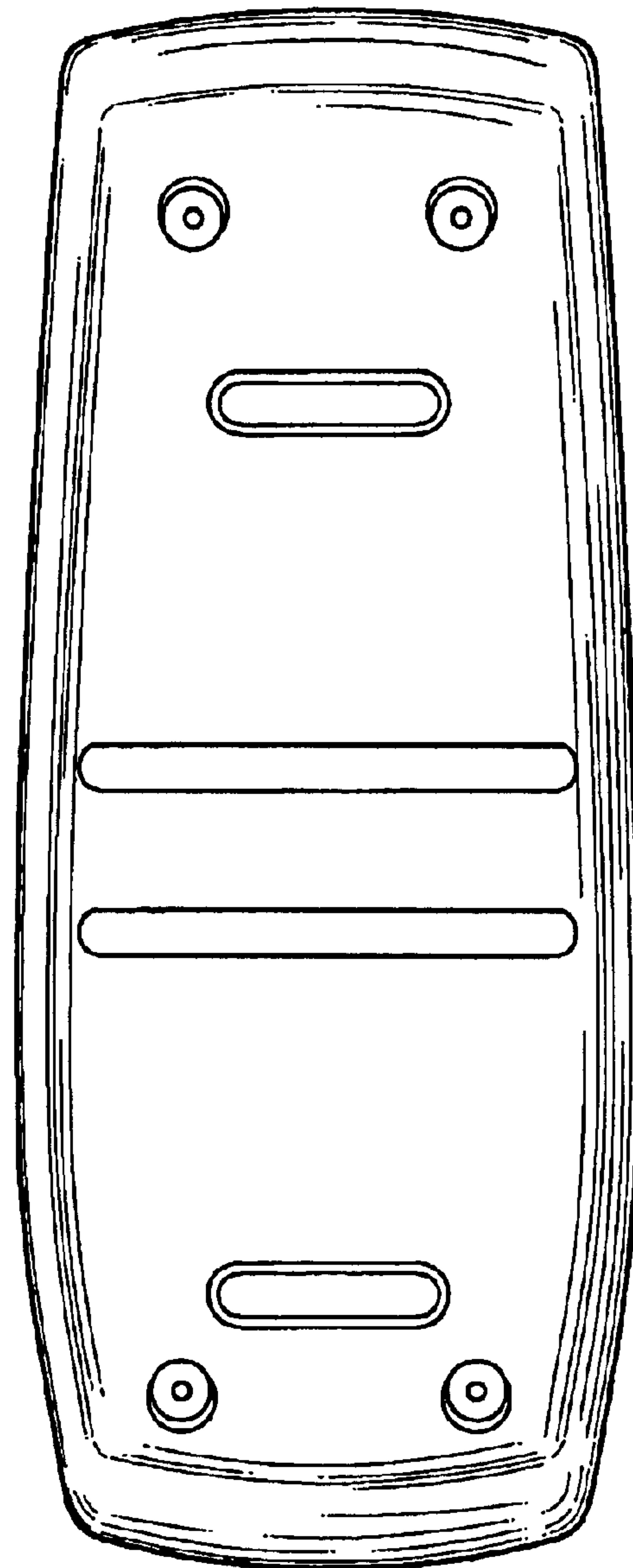
*Fig. 3*



*Fig. 4*



*Fig. 5*



*Fig. 6*