

US00D507906S

(12) **United States Design Patent**
Ortbring

(10) **Patent No.:** **US D507,906 S**

(45) **Date of Patent:** **** Aug. 2, 2005**

(54) **TABLE PEDESTAL**

D420,603 S * 2/2000 Morga D10/44

(76) **Inventor:** **Donald C Ortbring**, P.O. Box 264,
Homosassa, FL (US) 34487

* cited by examiner

Primary Examiner—Janice E. Seeger

(74) *Attorney, Agent, or Firm*—David Kiewit

(**) **Term:** **14 Years**

(57) **CLAIM**

(21) **Appl. No.:** **29/199,851**

The ornamental design for a table pedestal, as shown and described.

(22) **Filed:** **Feb. 19, 2004**

(51) **LOC (8) Cl.** **06-06**

DESCRIPTION

(52) **U.S. Cl.** **D6/497; D6/451**

FIG. 1 is a front elevational view of a table pedestal showing my design, wherein the phantom line showing forms no part of said design, the rear elevational view being a mirror image of the front view.

(58) **Field of Search** D6/480–489, 495–499,
D6/450, 451, 429–431, 511; 108/150, 153.1,
156, 157.1, 161; 248/188, 188.1, 188.8;
D10/44; 368/93

FIG. 2 is a right side elevation a view of the table pedestal, the left side view being a mirror image thereof.

FIG. 3 is a top elevational view of the table pedestal, the bottom view being a mirror image thereof; and,

FIG. 4 is a perspective view thereof.

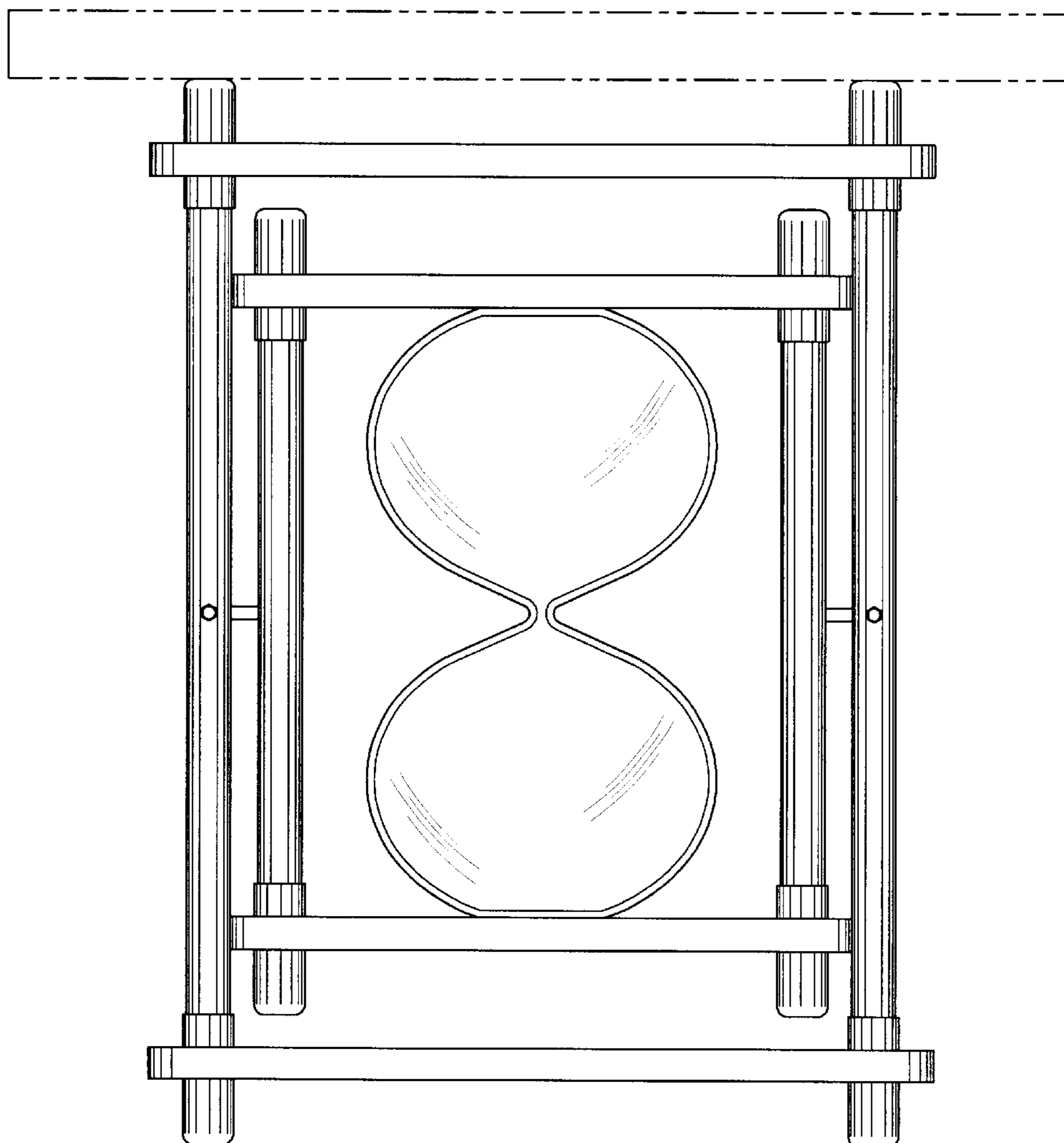
(56) **References Cited**

U.S. PATENT DOCUMENTS

D248,542 S * 7/1978 Jacobs D10/44

D335,051 S * 4/1993 Ossip D6/484

1 Claim, 4 Drawing Sheets



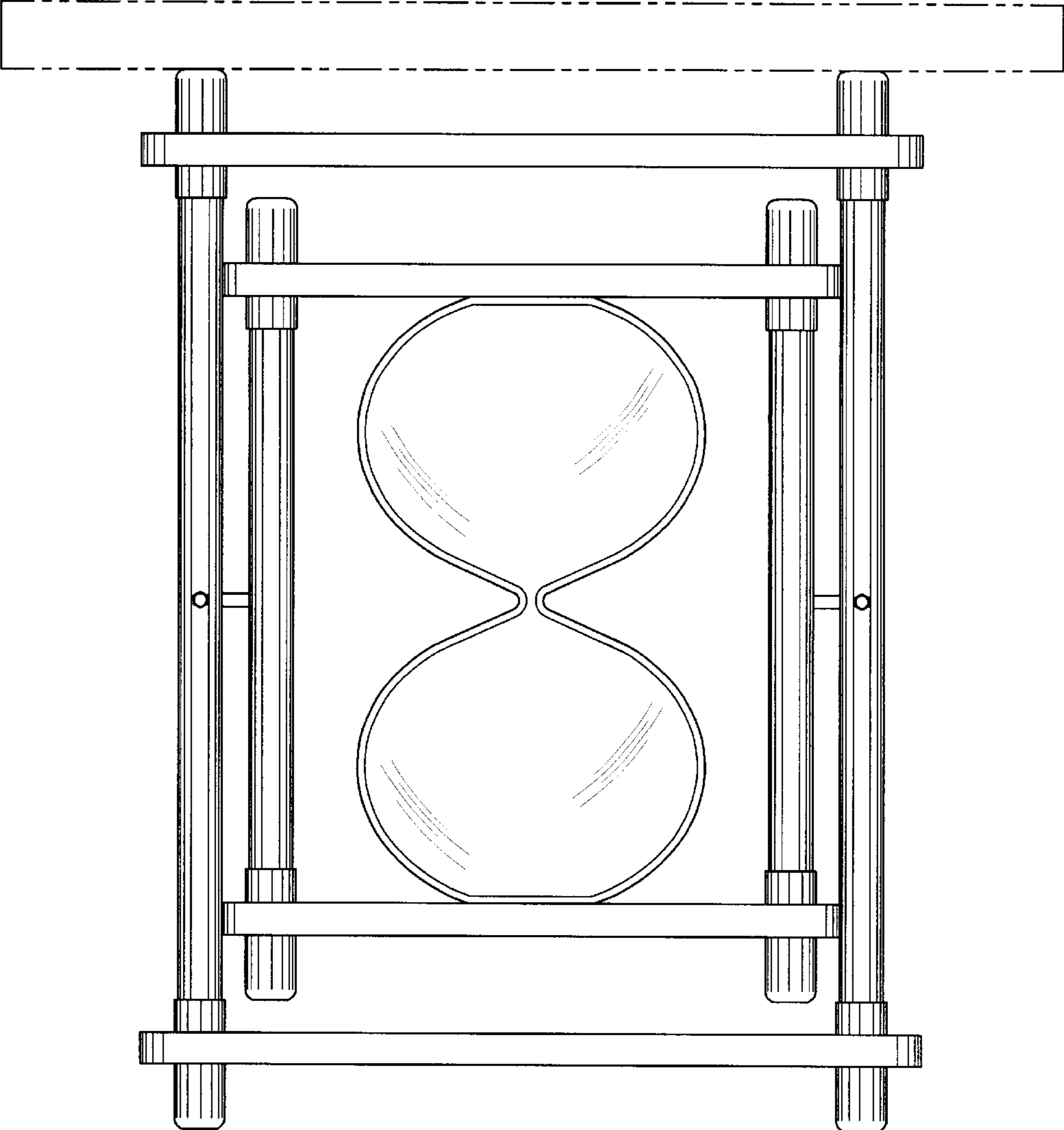


FIG. 1

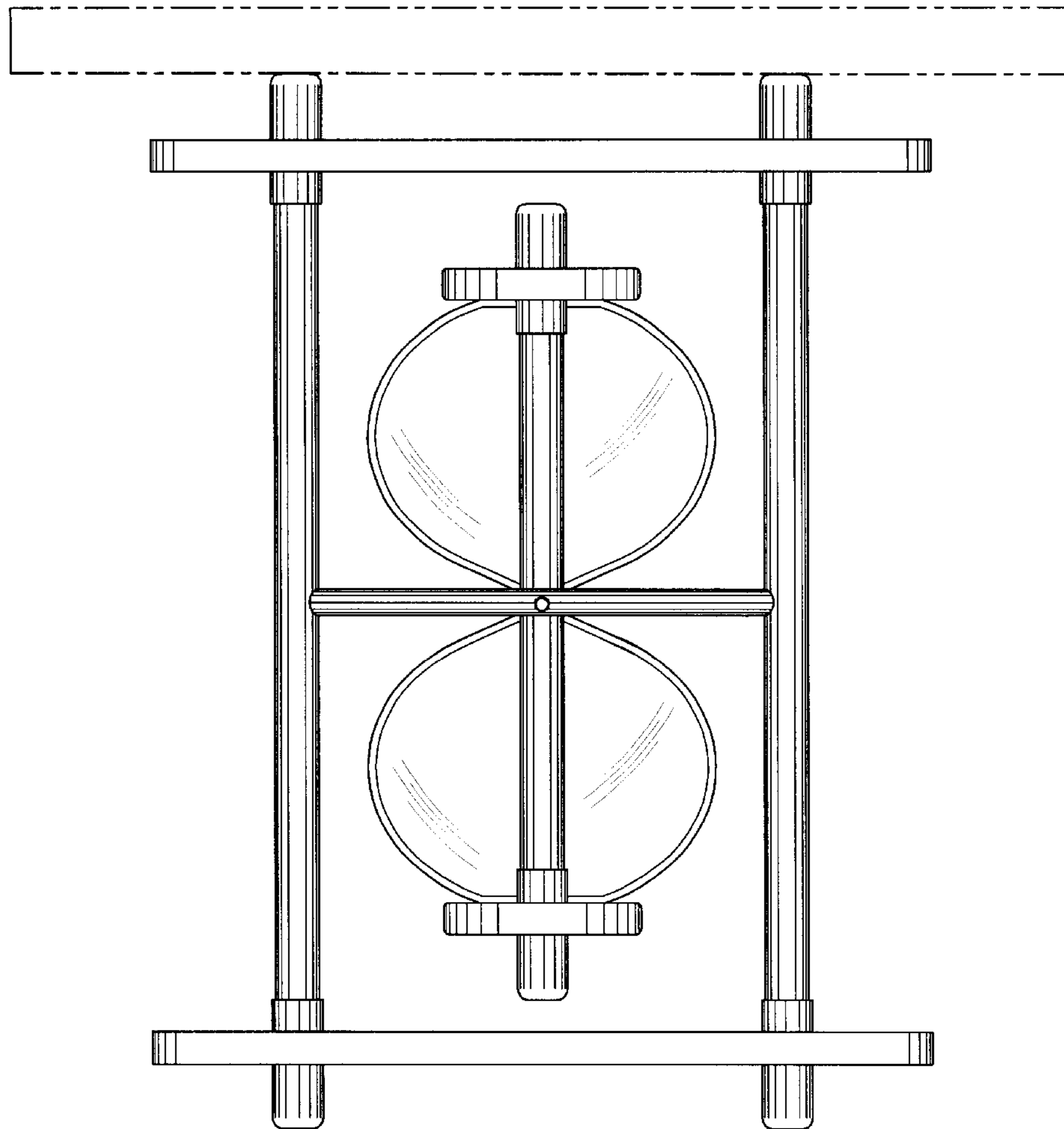


FIG. 2

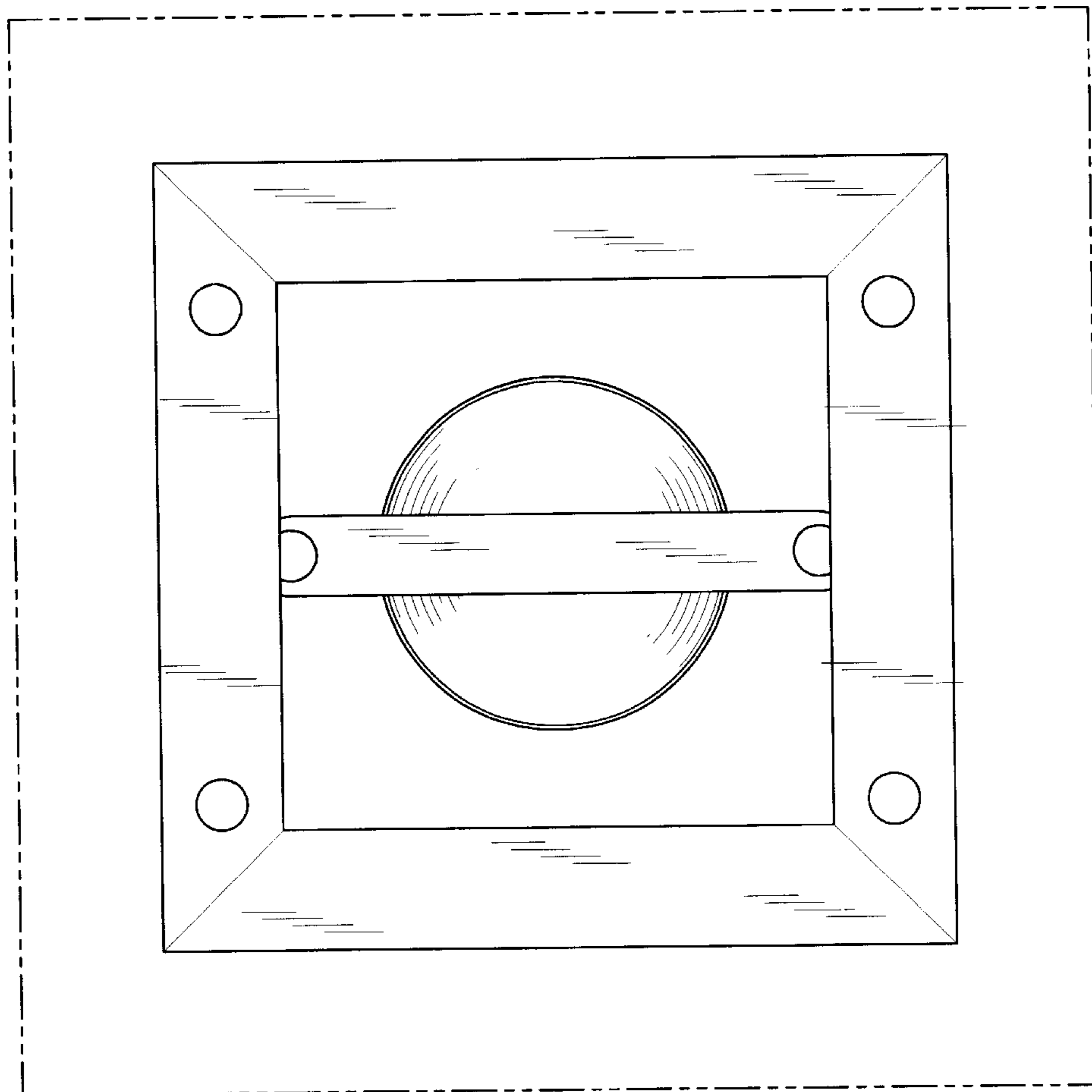


FIG. 3

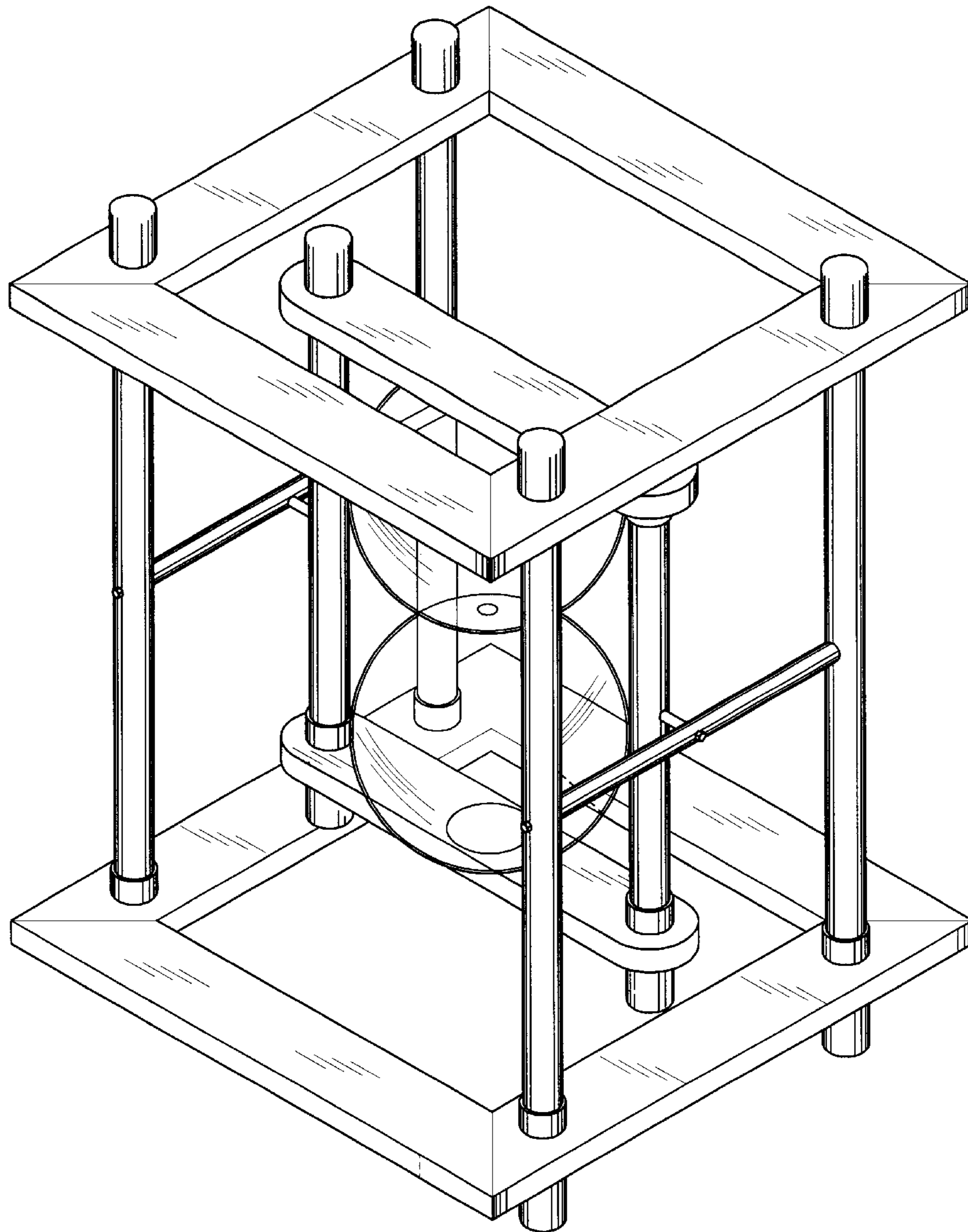


FIG. 4