

US00D507902S

(12) **United States Design Patent**  
**Cioncada**

(10) **Patent No.:** **US D507,902 S**

(45) **Date of Patent:** **\*\* Aug. 2, 2005**

(54) **TABLE**

D343,311 S \* 1/1994 Ball ..... D6/487  
D403,898 S \* 1/1999 Arnegger ..... D6/480

(75) **Inventor:** **Enrico Cioncada, Salerno (IT)**

\* cited by examiner

(73) **Assignee:** **Finasi S.p.A., Milan (IT)**

*Primary Examiner*—Janice E. Seeger

(\*\*) **Term:** **14 Years**

(74) *Attorney, Agent, or Firm*—Kirschstein, et al.

(21) **Appl. No.:** **29/190,763**

(57) **CLAIM**

(22) **Filed:** **Sep. 25, 2003**

The ornamental design for a table, as shown.

(30) **Foreign Application Priority Data**

**DESCRIPTION**

Apr. 4, 2003 (IT) ..... MI2003O0211

FIG. 1 is a perspective view of a table according to my design;

(51) **LOC (8) Cl.** ..... **06-03**

FIG. 2 is a front elevational view thereof;

(52) **U.S. Cl.** ..... **D6/480; D6/429**

FIG. 3 is a right side elevational view thereof;

(58) **Field of Search** ..... D6/480-489, 511,

FIG. 4 is a left side elevational view thereof;

D6/495-499, 429; 108/150, 153.1, 155,  
156, 157.1, 161, 115, 117, 1, 5; 248/188,  
188.1, 188.8

FIG. 5 is a rear elevational view thereof; and,

FIG. 6 is a bottom plan view thereof.

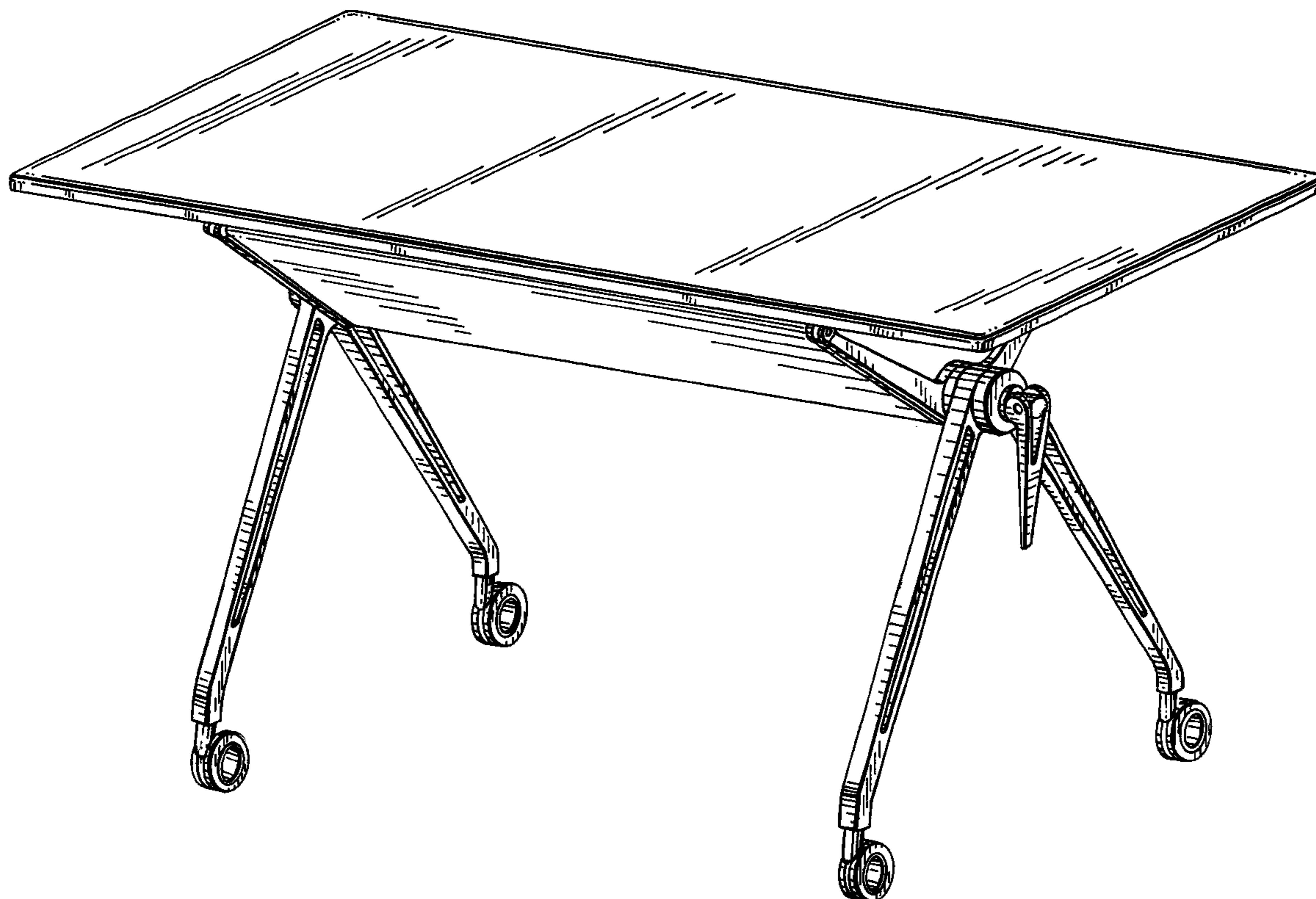
The broken lines are for environmental purposes only and form no part of the claimed design.

(56) **References Cited**

**U.S. PATENT DOCUMENTS**

D288,880 S \* 3/1987 Favaretto et al. .... D6/484

**1 Claim, 5 Drawing Sheets**



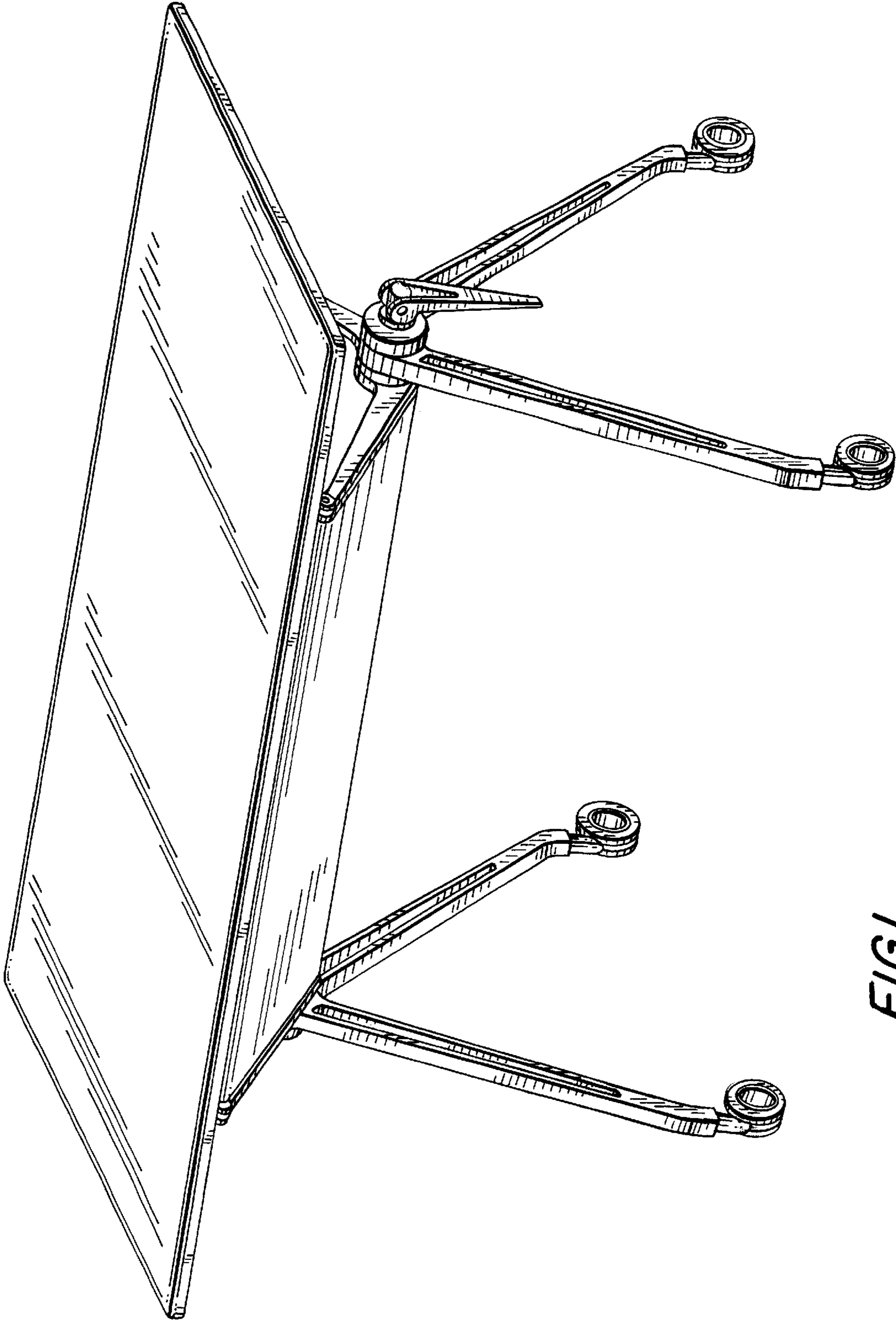
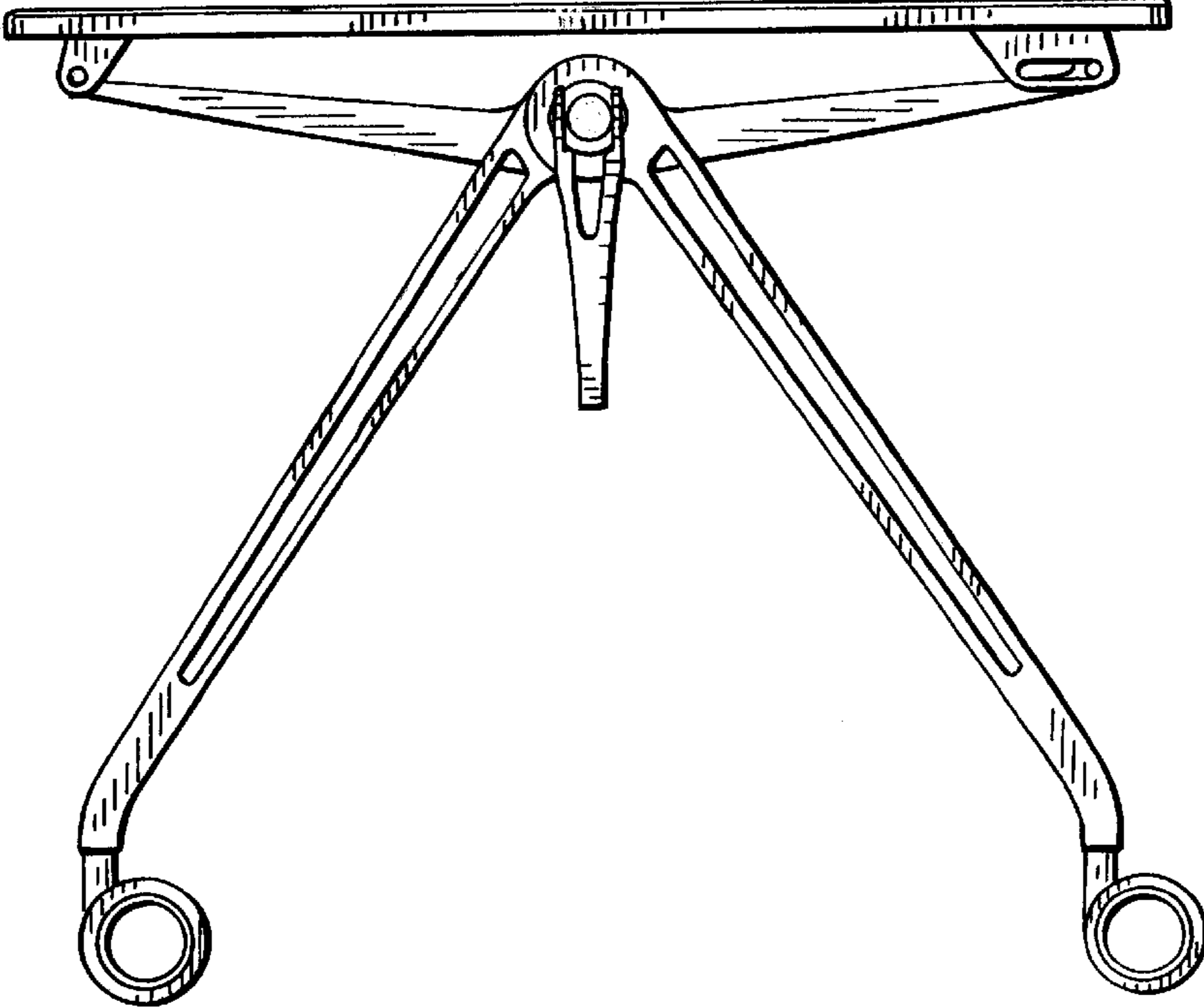


FIG. 1

FIG. 2



*FIG. 3*



*FIG. 4*

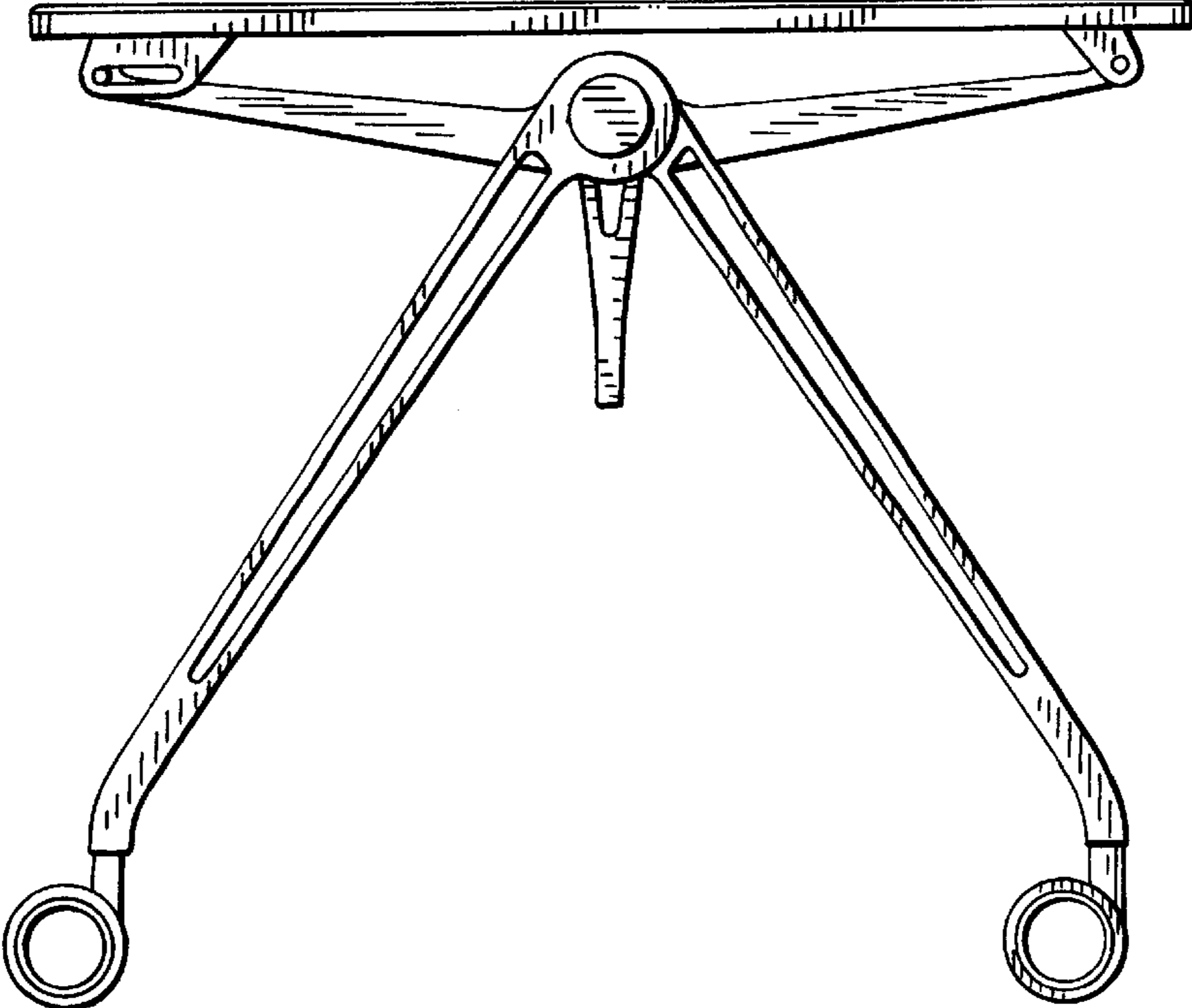


FIG. 5

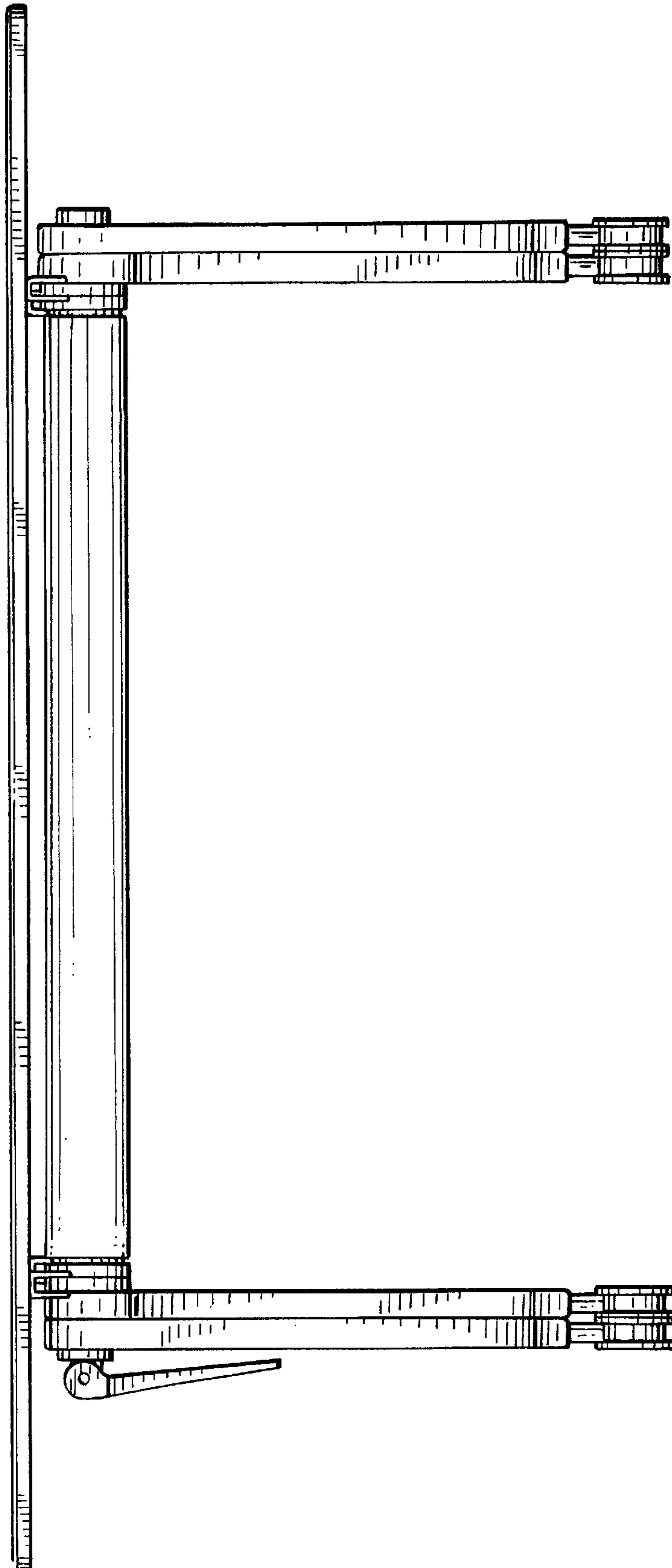


FIG. 6

