



US00D507901S

(12) **United States Design Patent**
Wicha

(10) **Patent No.: US D507,901 S**
(45) **Date of Patent: ** Aug. 2, 2005**

(54) **DOUBLE WIDE AUDIO/VIDEO STAND FOR A CORNER**

(76) Inventor: **Cristian R. Wicha**, 6630 Tansey Dr., Falls Church, VA (US) 22042

(**) Term: **14 Years**

(21) Appl. No.: **29/212,845**

(22) Filed: **Sep. 9, 2004**

(51) **LOC (8) Cl. 06-04**

(52) **U.S. Cl. D6/477**

(58) **Field of Search** D6/460, 461, 468, D6/474, 477-479, 407; 108/59, 91, 92, 96; 211/40, 41.12, 42, 49.1, 50, 85.2, 90.04, 187, 190, 119.003, 134.153, 87.01, 71.01; 312/9.1, 9.2, 9.46, 9.64, 9.8, 7.2; 206/307, 308.1

(56) **References Cited**

U.S. PATENT DOCUMENTS

D367,782 S	3/1996	Kazama
D405,630 S	2/1999	Wohlford
D441,217 S	5/2001	Pepin
D450,489 S	11/2001	Wong
D454,731 S	3/2002	Niitsu

D459,118 S	6/2002	Antonioni	
D476,173 S	6/2003	Wicha	
D477,159 S	7/2003	Niitsu	
D478,746 S	8/2003	Sumii	
D483,581 S	* 12/2003	Chang	D6/479
D491,753 S	* 6/2004	deCarolis	D6/479
D492,513 S	* 7/2004	Wicha	D6/479
D494,781 S	8/2004	Wicha	
D495,533 S	9/2004	Wicha	

* cited by examiner

Primary Examiner—Cathron Brooks

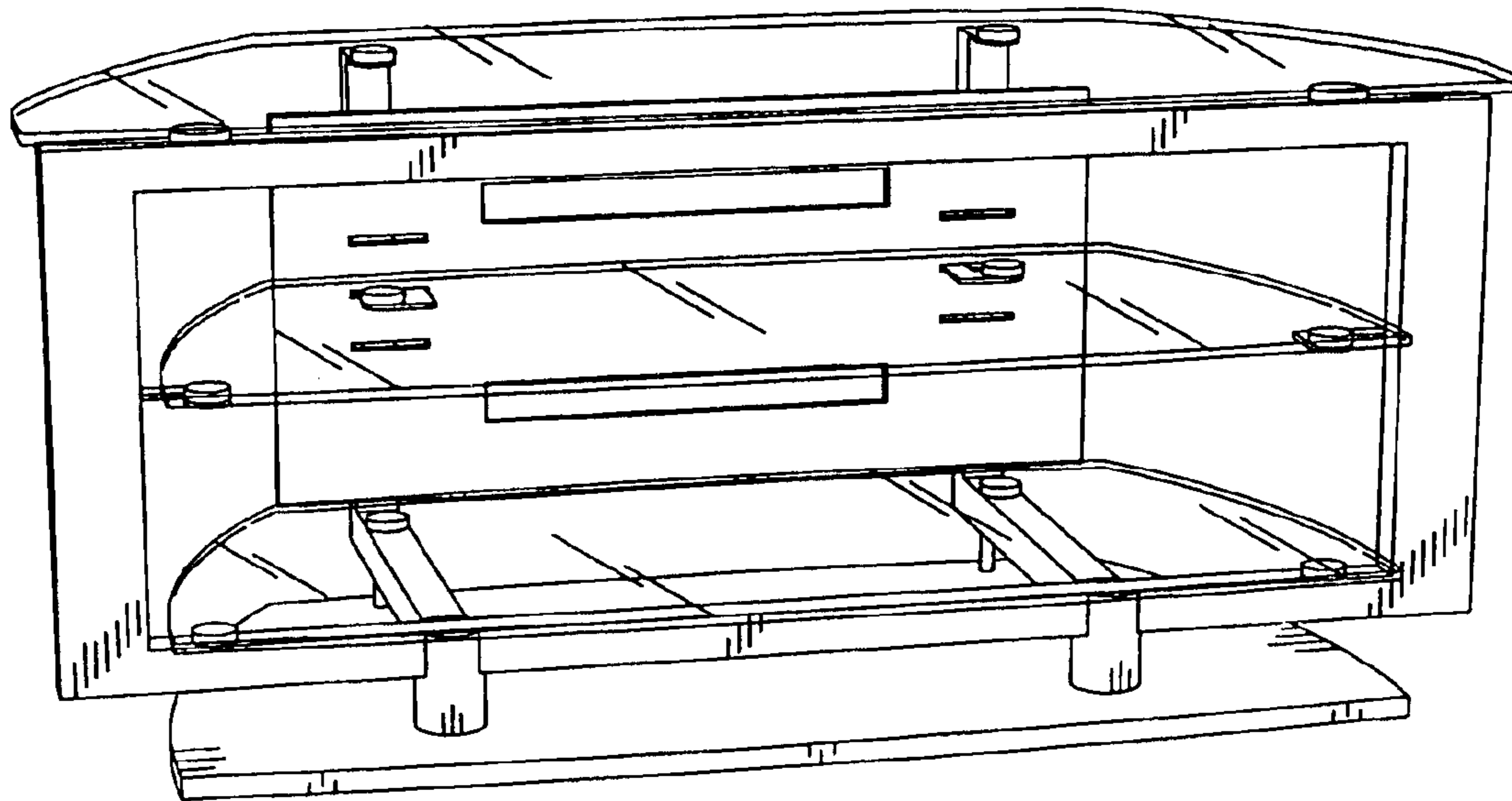
(57) **CLAIM**

The ornamental design for a double wide audio/video stand for a corner, as shown and described.

DESCRIPTION

FIG. 1 is a perspective view of a double wide audio/video stand for a corner showing my new design; FIG. 2 is a front elevational view thereof; FIG. 3 is a rear elevational view thereof; FIG. 4 is a right side view thereof, the left side view being a mirror image; FIG. 5 is a top view thereof; and, FIG. 6 is a bottom view thereof.

1 Claim, 4 Drawing Sheets



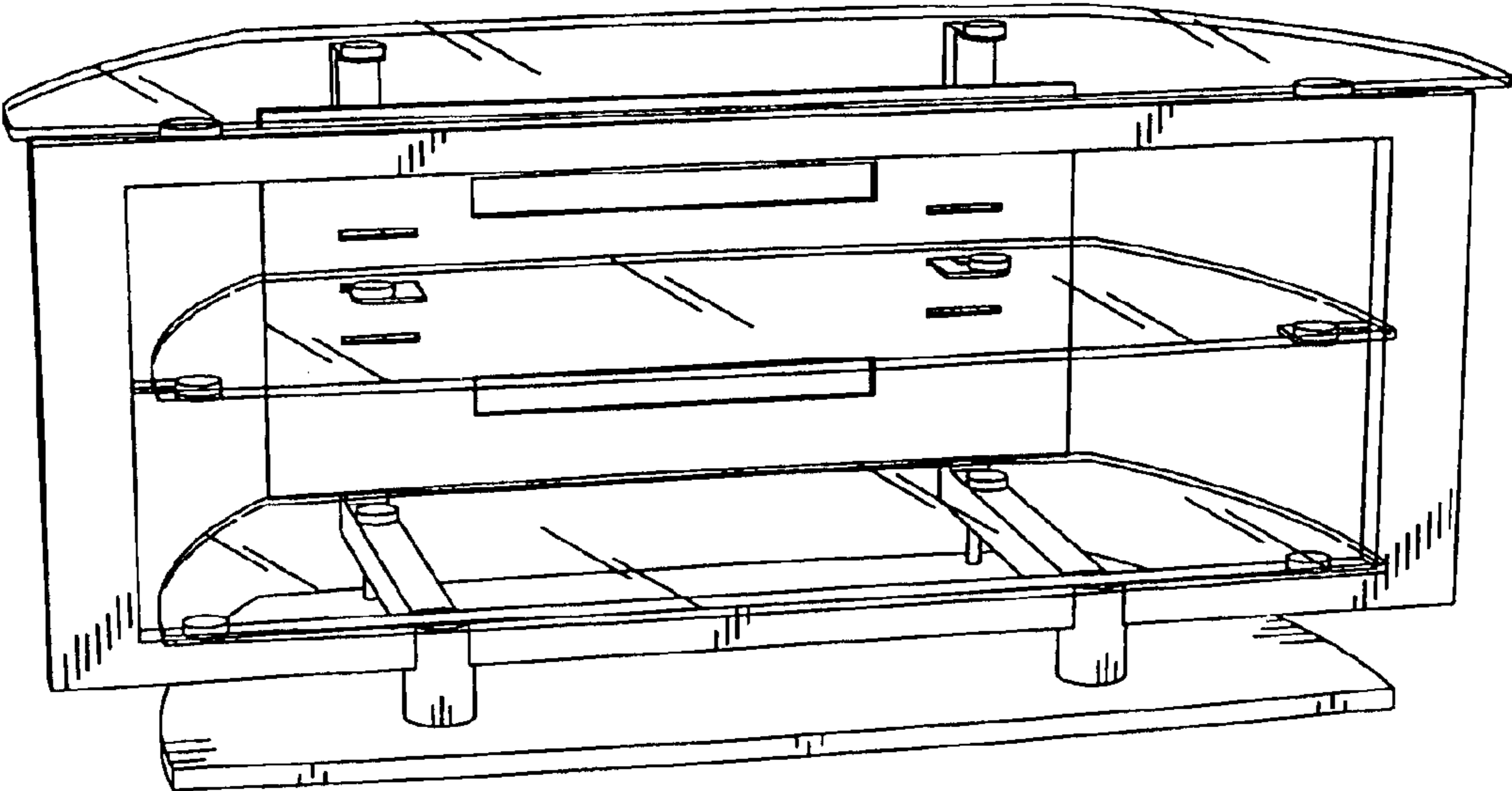


Fig. 1

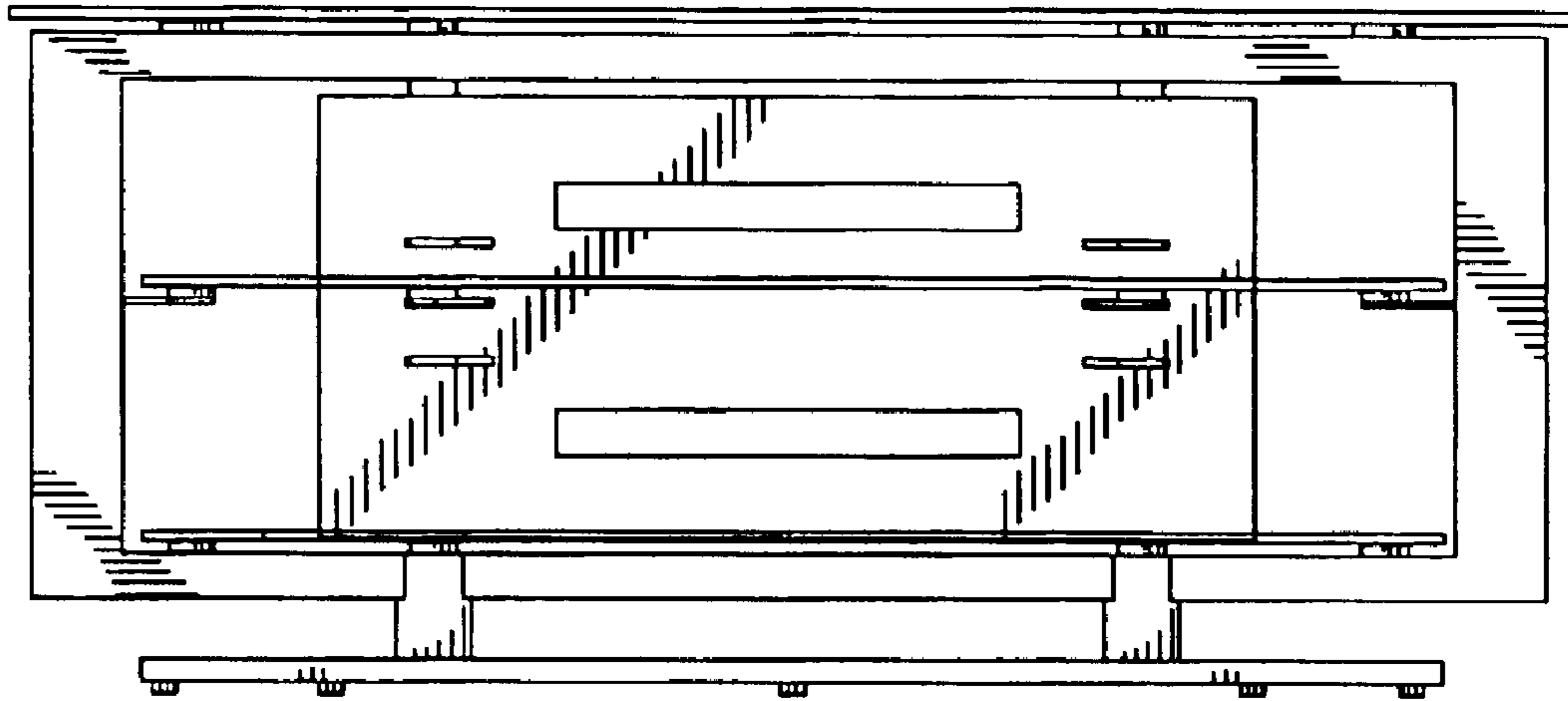


Fig. 2

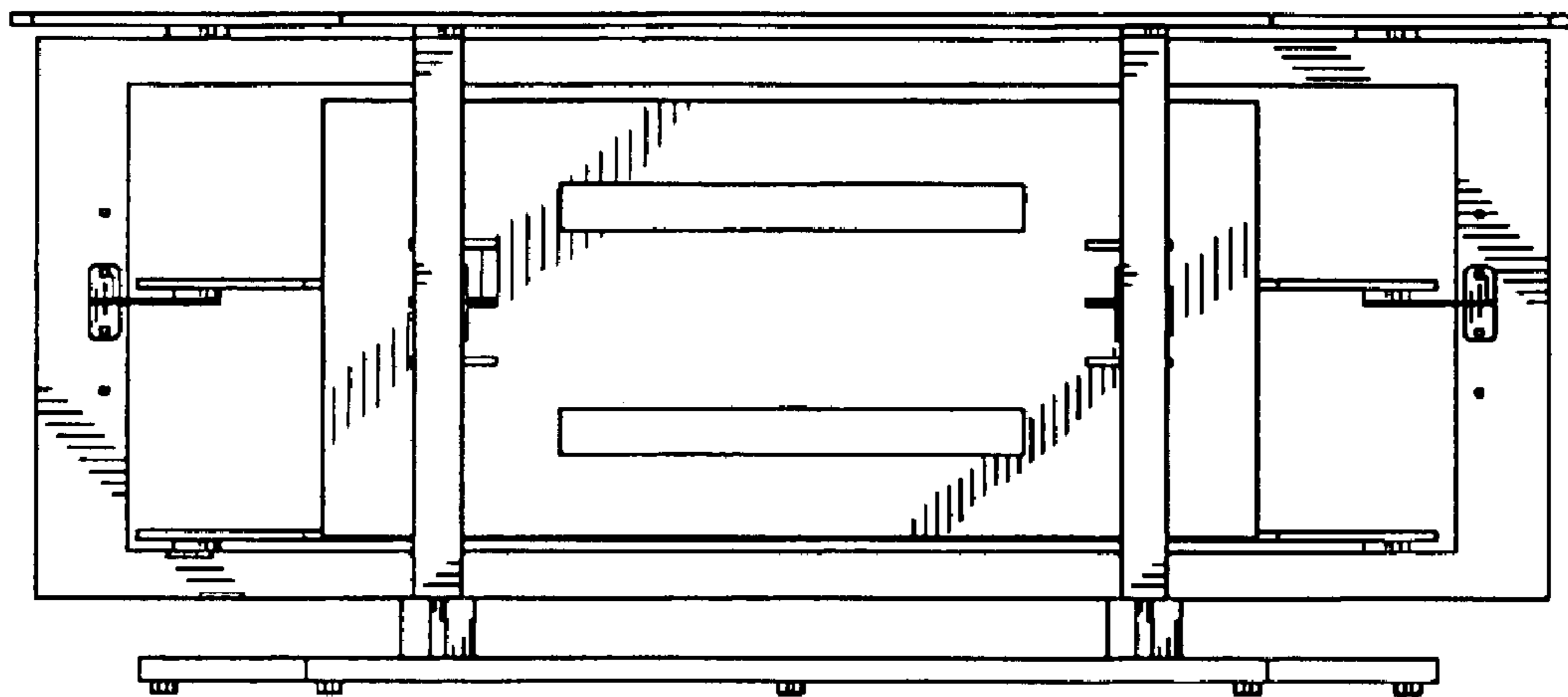


Fig. 3

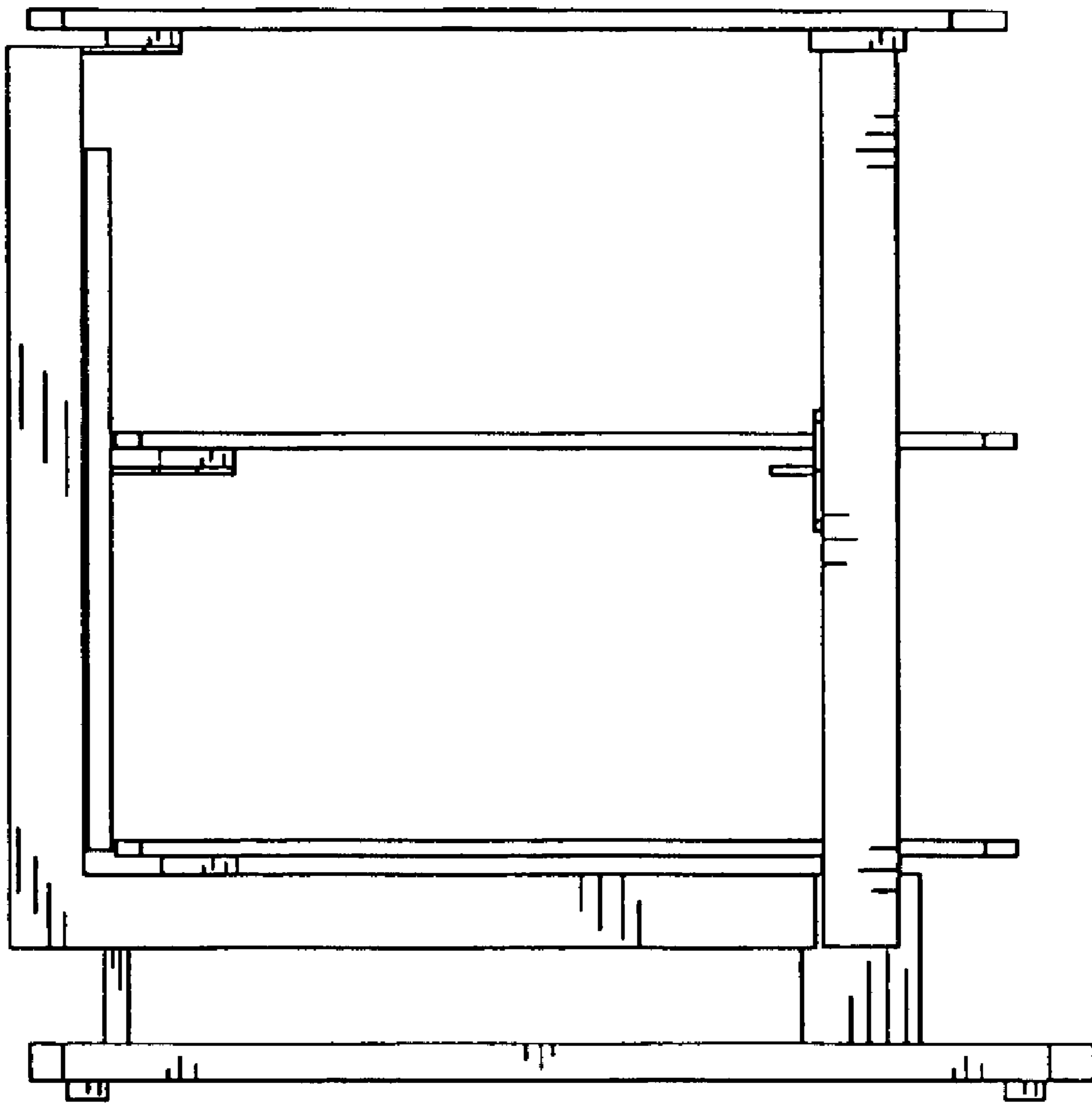


Fig. 4

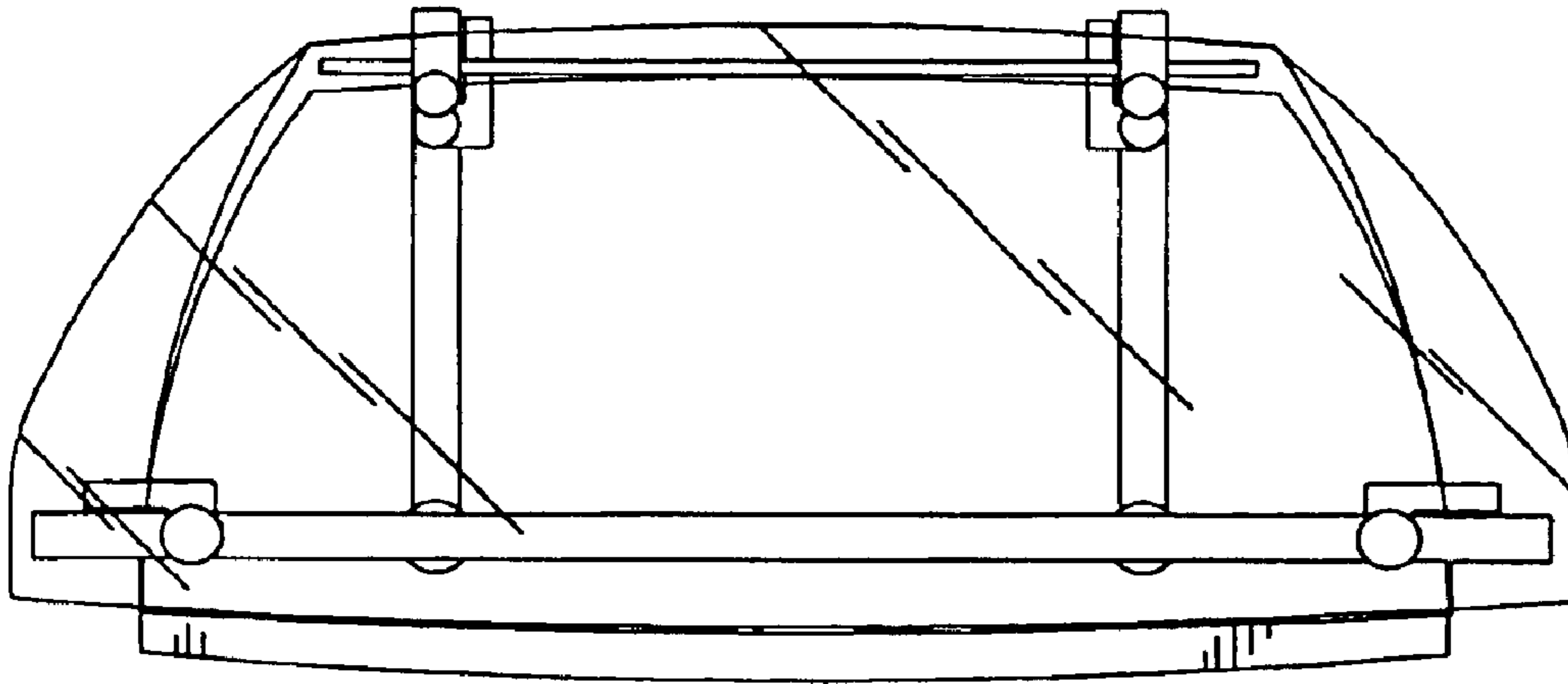


Fig. 5

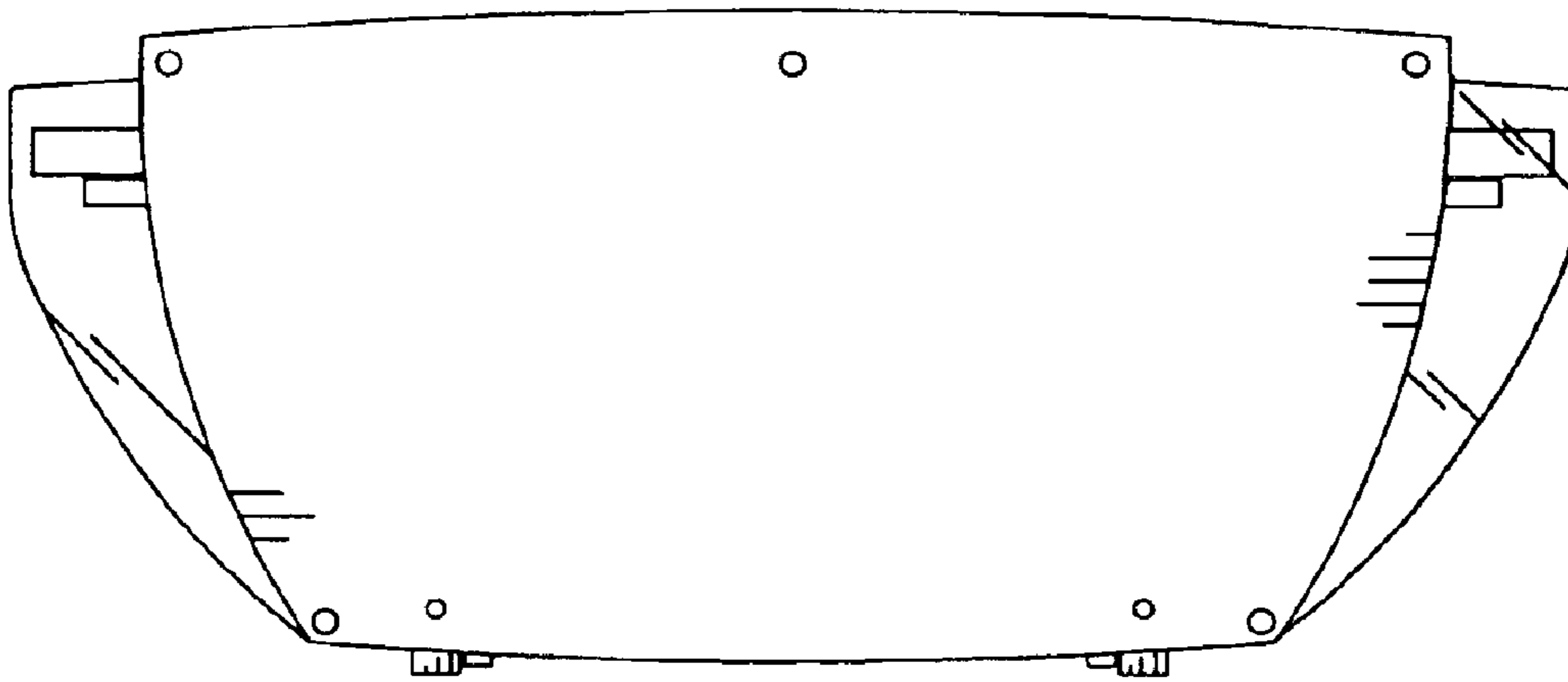


Fig. 6