



US00D507900S

(12) **United States Design Patent**
Sexton

(10) **Patent No.: US D507,900 S**

(45) **Date of Patent: ** Aug. 2, 2005**

(54) **AUDIO-VIDEO STORAGE UNIT**

(75) **Inventor: James S. Sexton, Danville, CA (US)**

(73) **Assignee: Z-Line Designs, San Ramon, CA (US)**

(**) **Term: 14 Years**

(21) **Appl. No.: 29/210,470**

(22) **Filed: Jul. 29, 2004**

(51) **LOC (8) Cl. 06-04**

(52) **U.S. Cl. D6/474; D6/477**

(58) **Field of Search** D6/460, 461, 468,
D6/474, 477-479, 407; 108/59, 91, 92,
96; 211/40, 41.12, 42, 49.1, 50, 85.2, 90.04,
187, 190, 119.003, 134.153, 87.01, 71.01;
D14/126, 129

(56) **References Cited**

U.S. PATENT DOCUMENTS

- D458,053 S * 6/2002 Luong D6/477
- D465,355 S * 11/2002 Luong D6/477
- D480,237 S * 10/2003 de Carolis D6/474

- D484,332 S * 12/2003 Niitsu D6/477
- D491,750 S * 6/2004 Bertoncini D6/474
- D495,163 S * 8/2004 Weatherly D6/479

* cited by examiner

Primary Examiner—Cathron Brooks

(74) *Attorney, Agent, or Firm*—Townsend and Townsend and Crew LLP

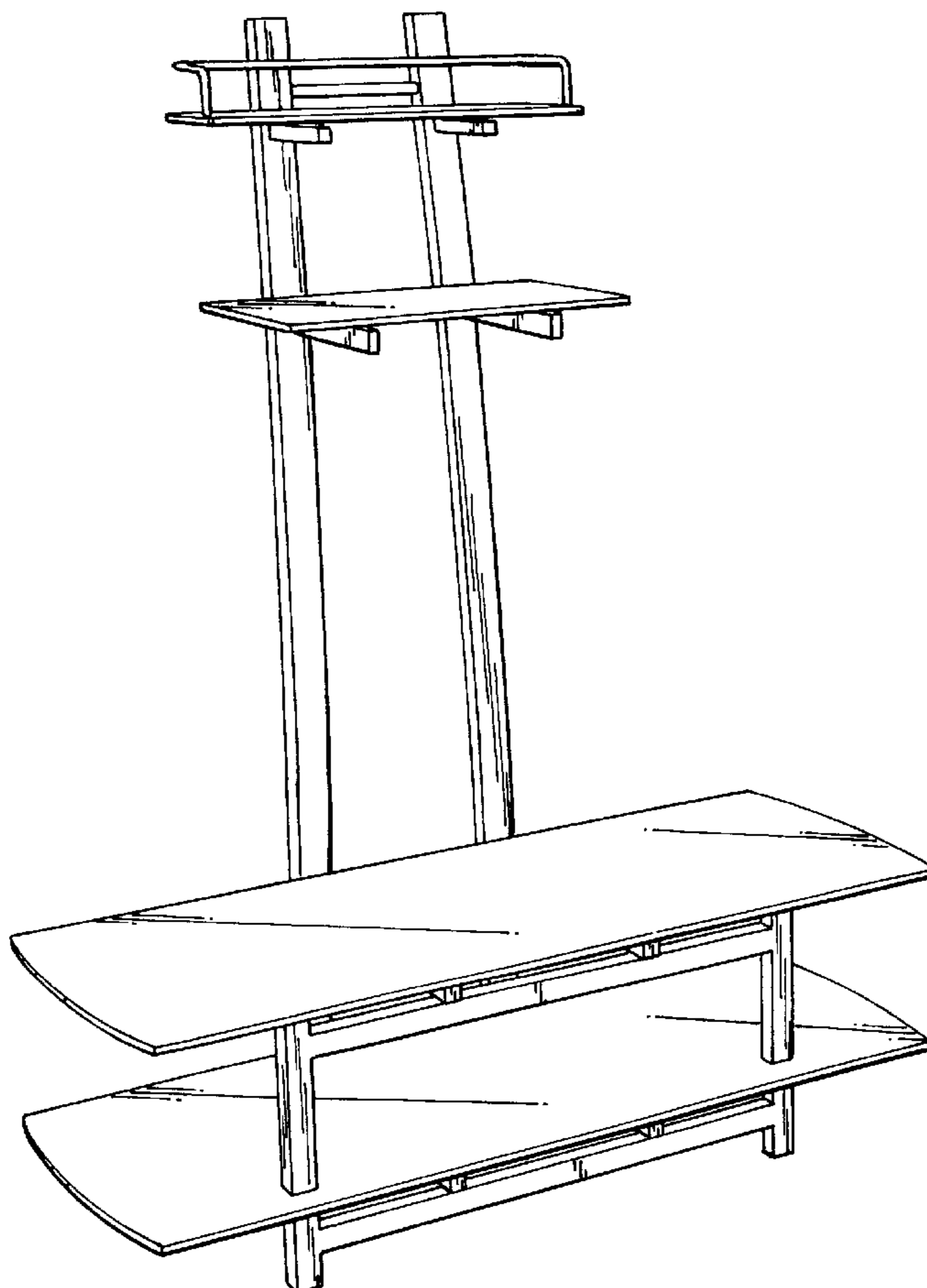
(57) **CLAIM**

The ornamental design for an audio-video storage unit, as shown and described.

DESCRIPTION

FIG. 1 is a perspective view of an audio-video storage unit showing my new design;
 FIG. 2 is a top plan view thereof;
 FIG. 3 is a front elevational view thereof;
 FIG. 4 is a right side elevational view thereof;
 FIG. 5 is a left side elevational view thereof;
 FIG. 6 is a rear elevational view thereof; and,
 FIG. 7 is a bottom view thereof.

1 Claim, 3 Drawing Sheets



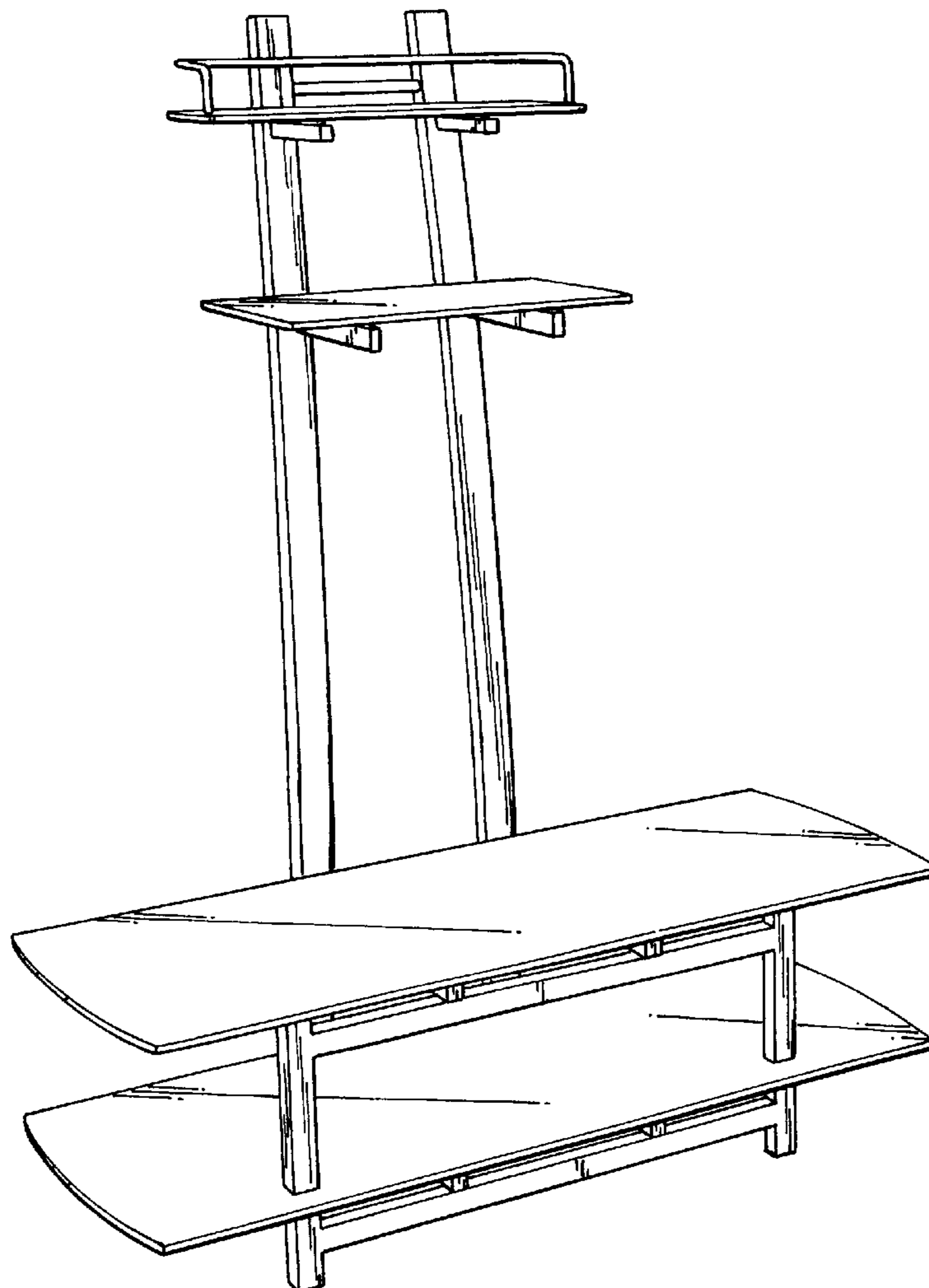


FIG. 1

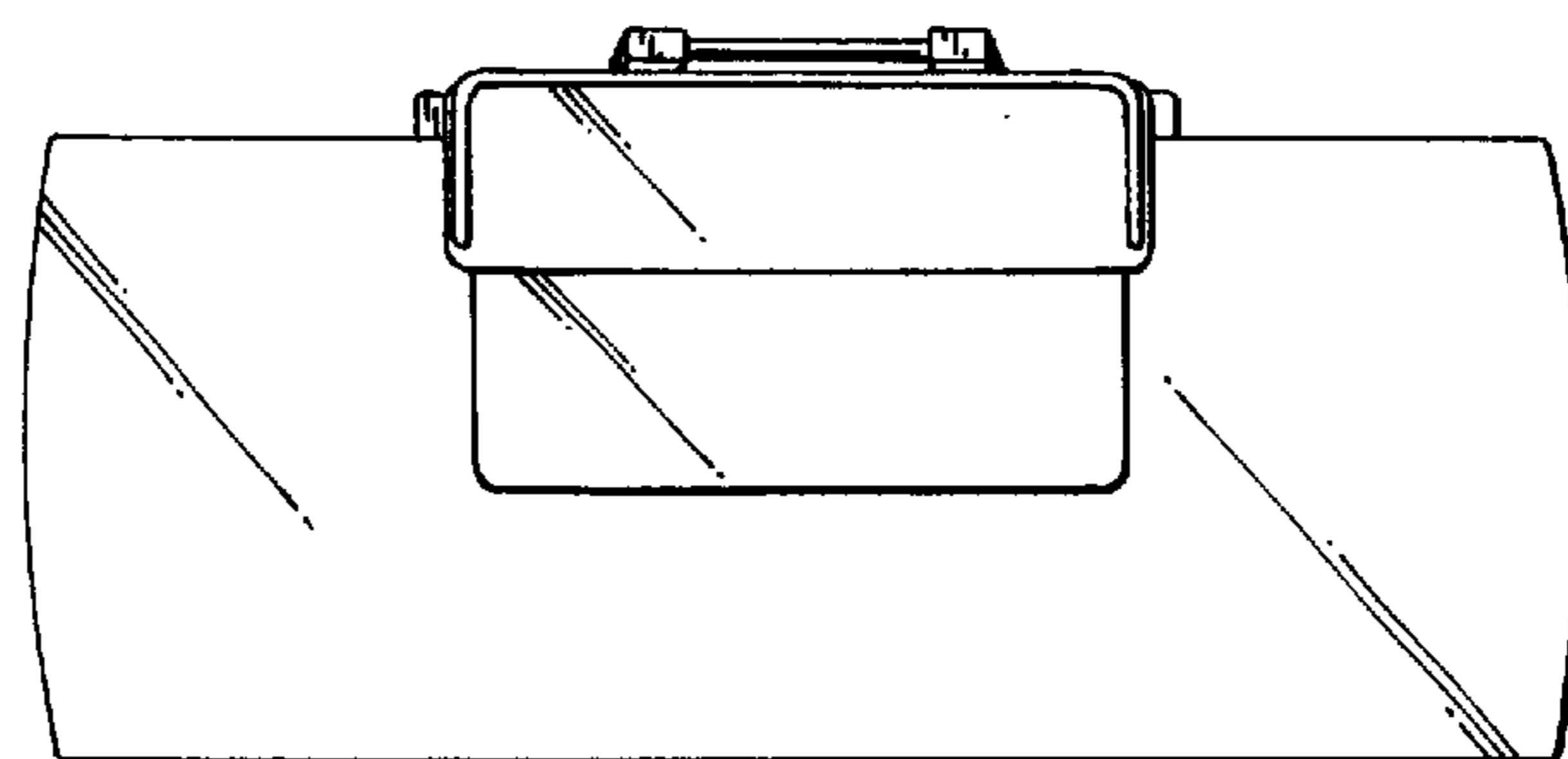


FIG. 2

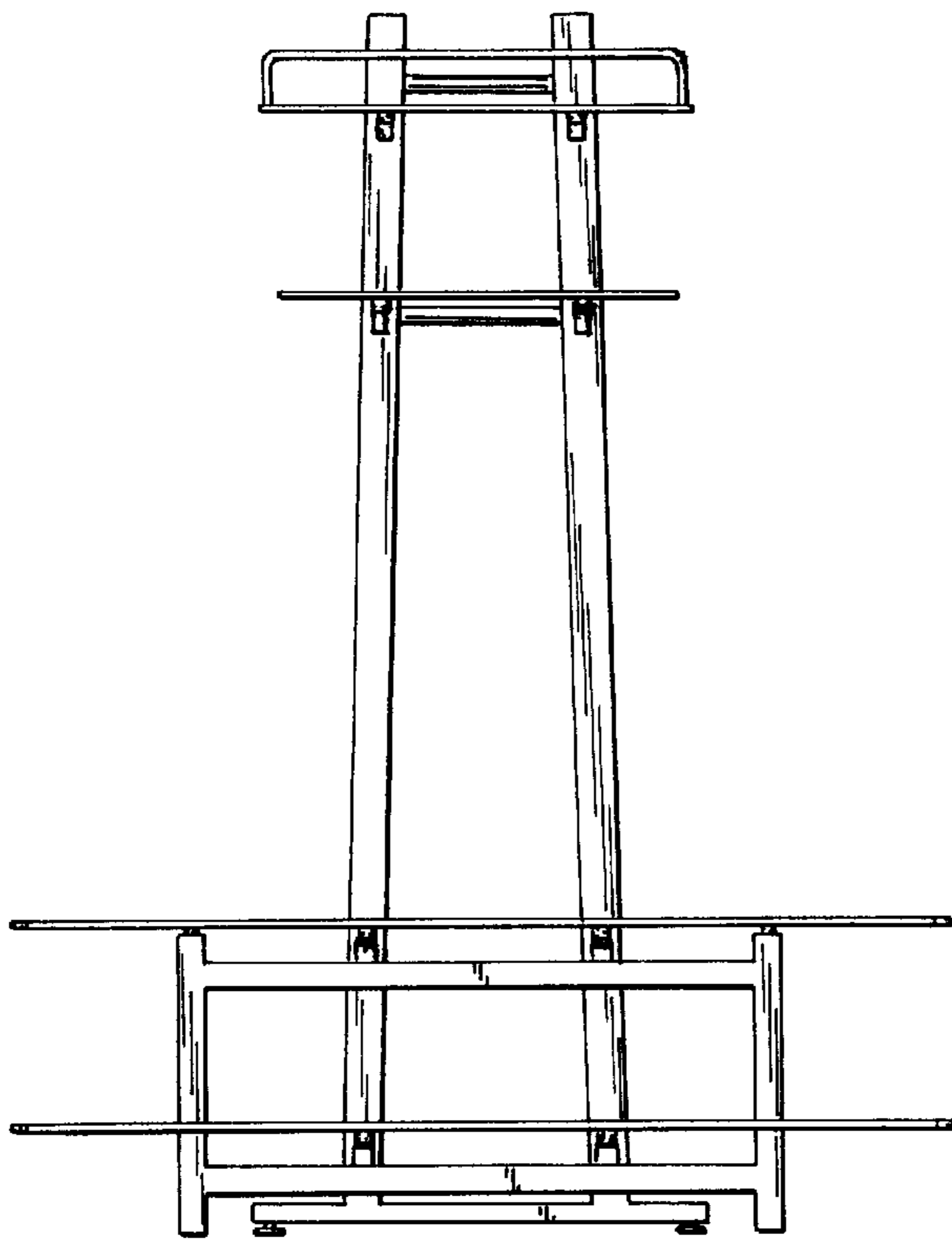


FIG. 3

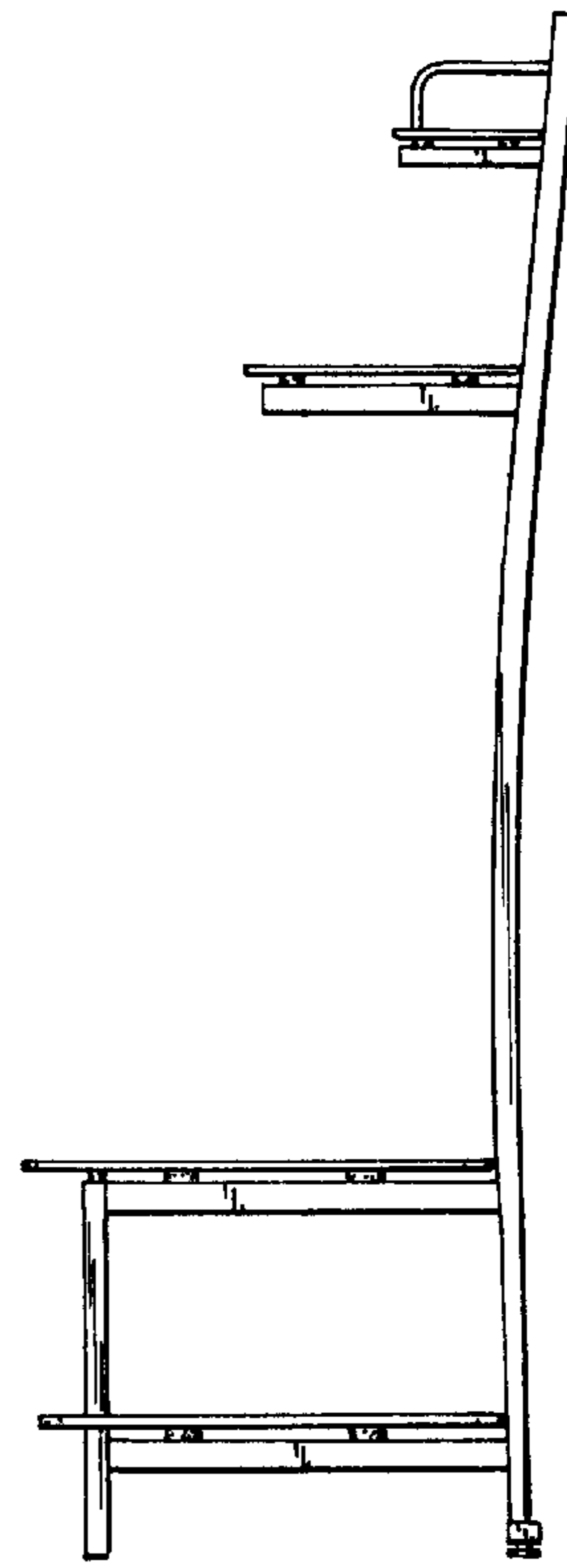


FIG. 4

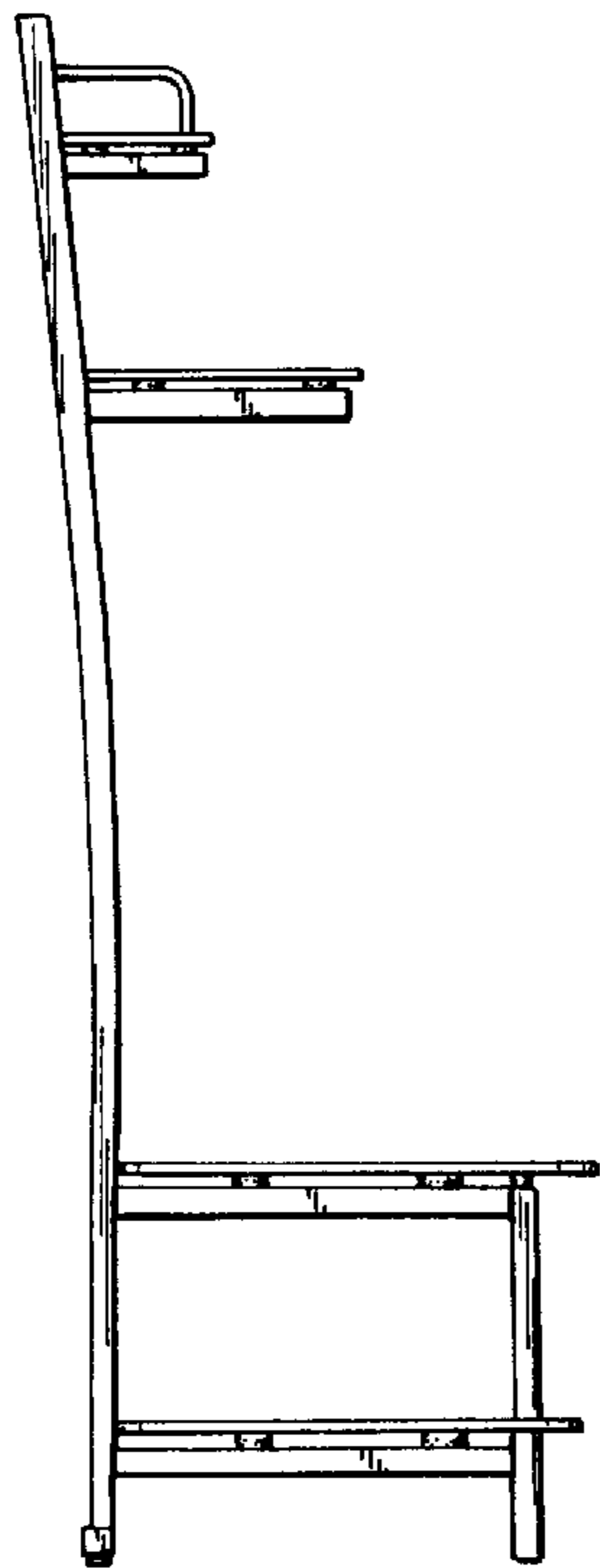


FIG. 5

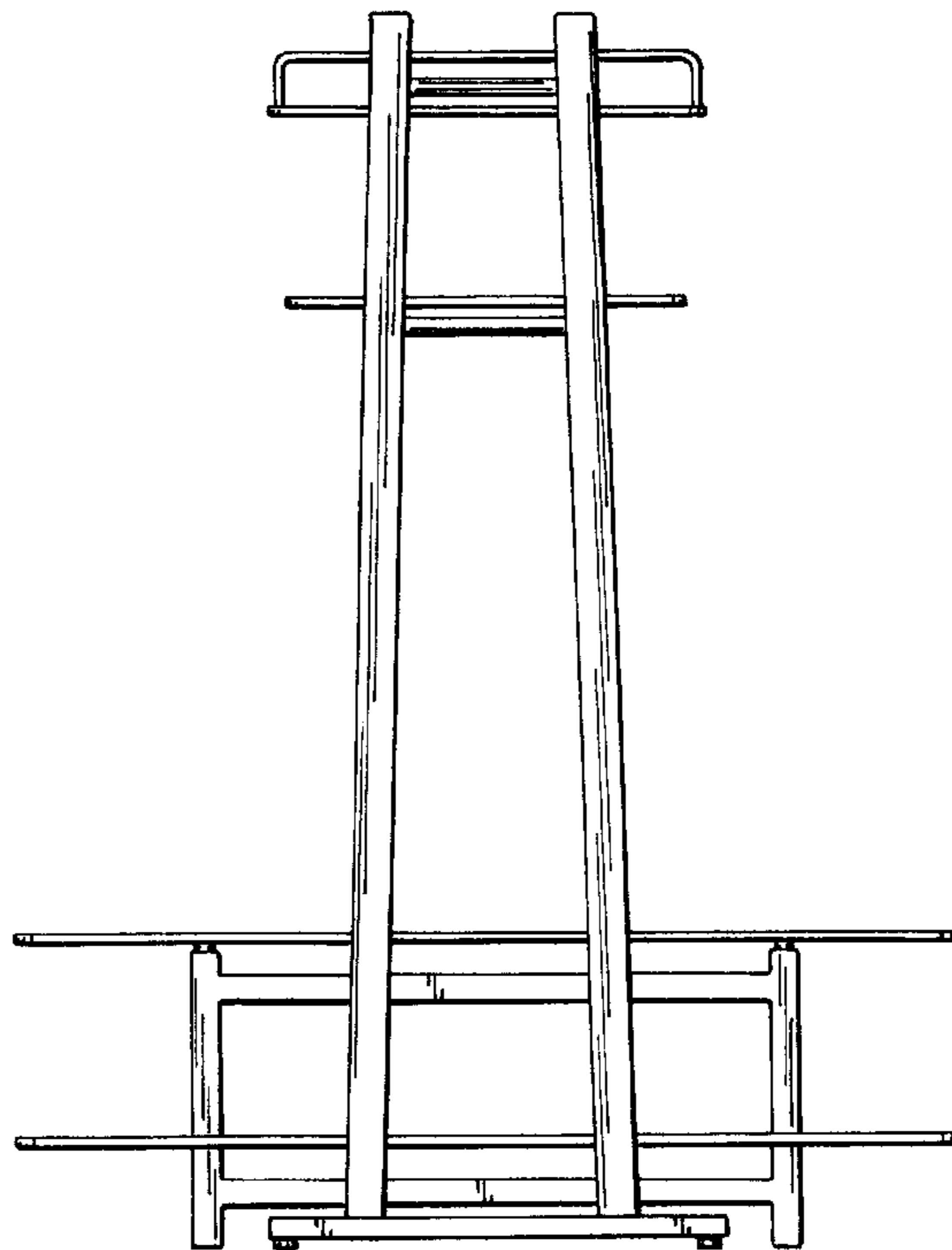


FIG. 6

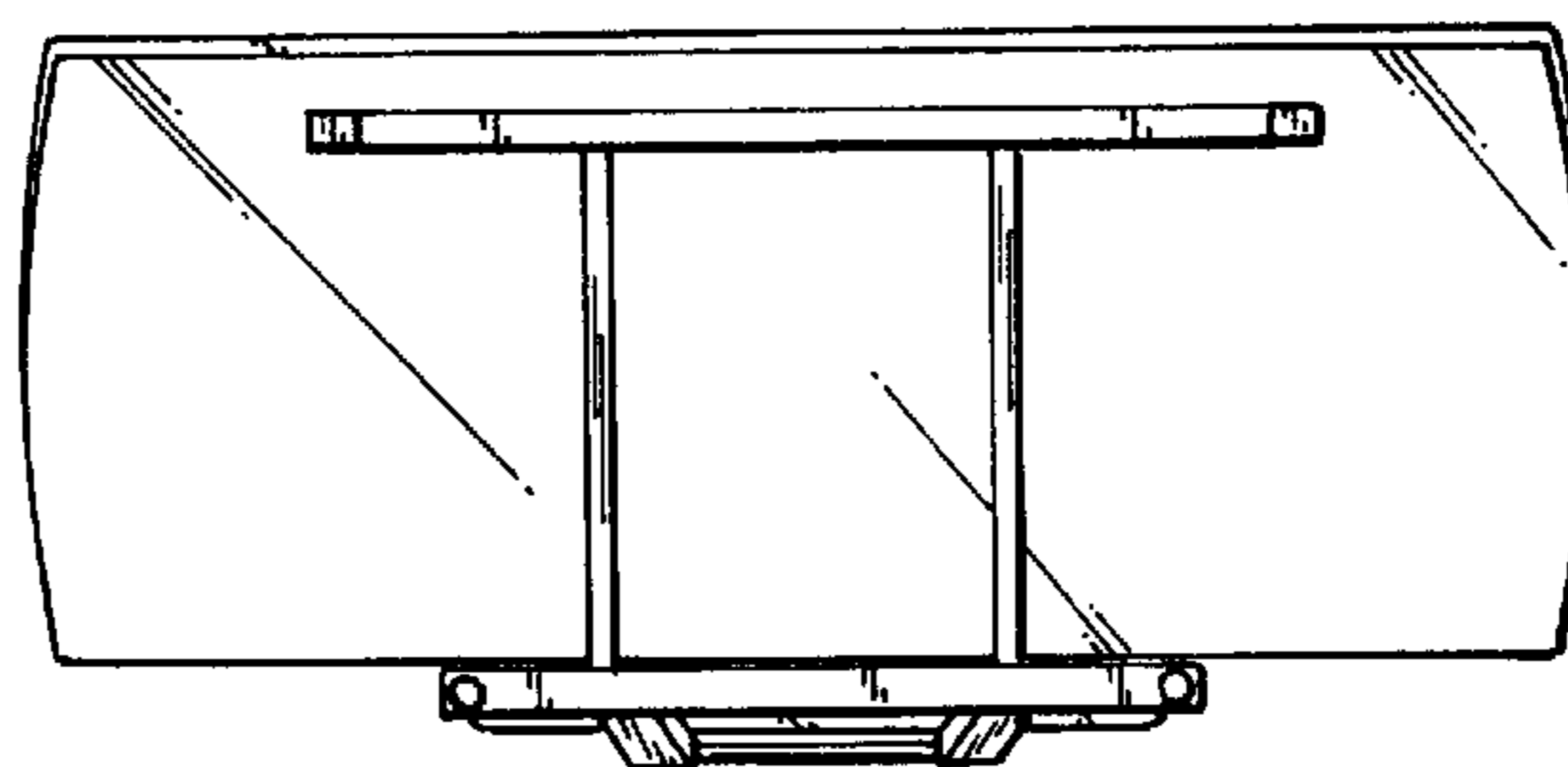


FIG. 7