

US00D507898S

(12) **United States Design Patent**  
**Langford et al.**

(10) **Patent No.:** **US D507,898 S**

(45) **Date of Patent:** **\*\* Aug. 2, 2005**

(54) **DISPLAY UNIT**

(76) Inventors: **Jonathan Langford**, 4 Threave Close,  
Putnoe, Bedford, Bedfordshire MK41  
8PD (GB); **David Wolfenden**, 2  
Clydesdale Rise, Diggle, Saddleworth  
OL3 5PX (GB)

(\*\*) **Term:** **14 Years**

(21) **Appl. No.:** **29/190,700**

(22) **Filed:** **Sep. 25, 2003**

(51) **LOC (8) Cl.** ..... **06-04**

(52) **U.S. Cl.** ..... **D6/469**

(58) **Field of Search** ..... D6/396, 397, 449,  
D6/450, 467, 469; D19/22, 23, 75, 77,  
78, 79, 91-93; D26/51; 206/214, 224, 371;  
211/10, 11, 13.1, 69.1

(56) **References Cited**

**U.S. PATENT DOCUMENTS**

D342,095 S \* 12/1993 Peersmann ..... D19/78  
D349,170 S \* 7/1994 Lin ..... D26/51

D357,941 S \* 5/1995 Davis ..... D19/92  
D387,582 S \* 12/1997 Bonazza ..... D6/469  
D469,810 S \* 2/2003 Joss et al. .... D19/75  
6,591,990 B2 \* 7/2003 Lanman et al. .... 211/10  
2003/0010728 A1 \* 1/2003 Lanman et al. .... 211/10

\* cited by examiner

*Primary Examiner*—Mimosa De

(74) *Attorney, Agent, or Firm*—Kwadjo Adusai-Poku;  
Lloyd D. Doigan

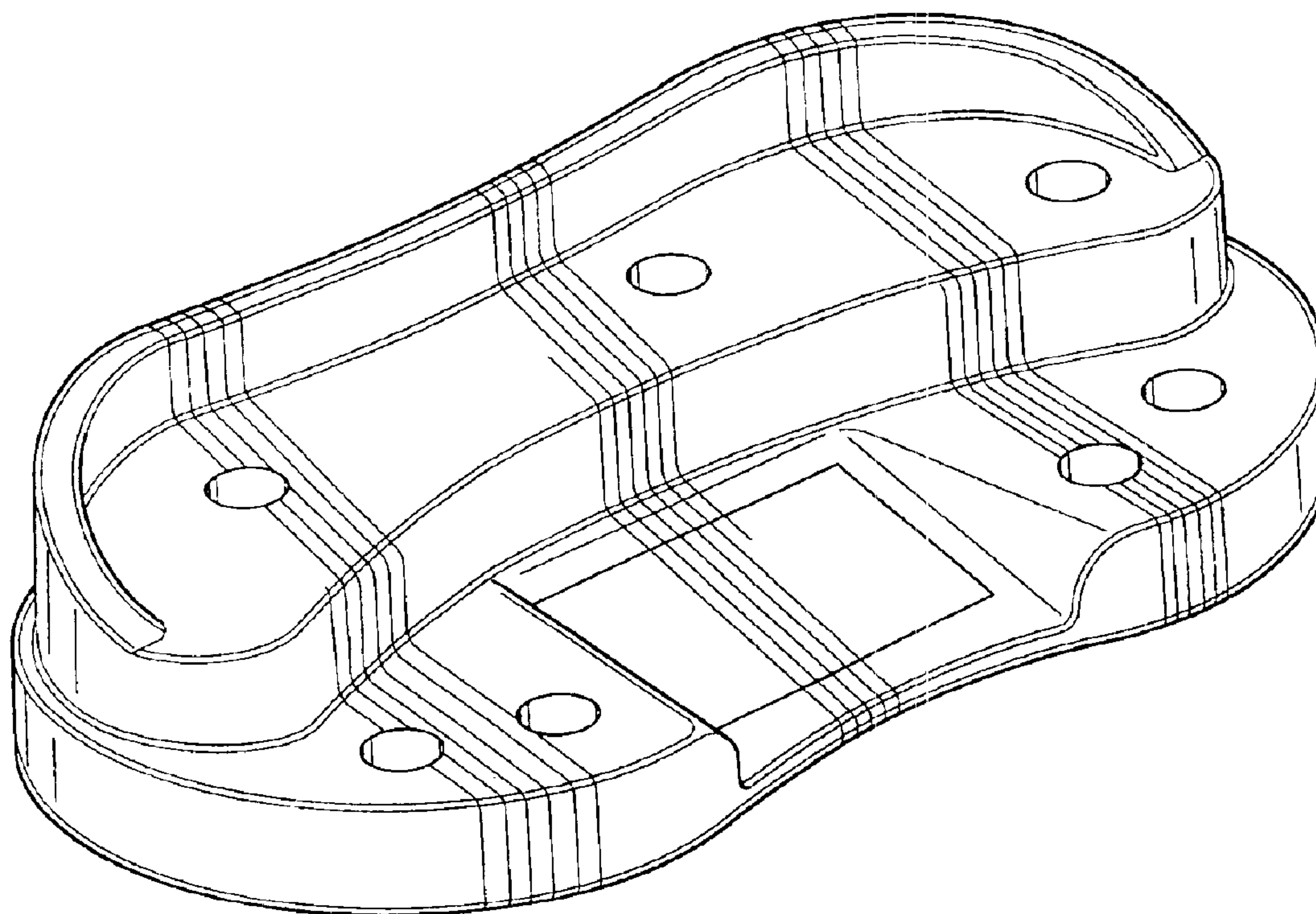
(57) **CLAIM**

The ornamental design for a display unit, as shown and described.

**DESCRIPTION**

FIG. 1 is a front perspective view of the display unit showing our new design;  
FIG. 2 is a top plan view thereof;  
FIG. 3 is front elevational view thereof;  
FIG. 4 is a rear elevational view thereof; and,  
FIG. 5 is right side elevational view, the left side elevational view being a mirror image thereof.

**1 Claim, 2 Drawing Sheets**



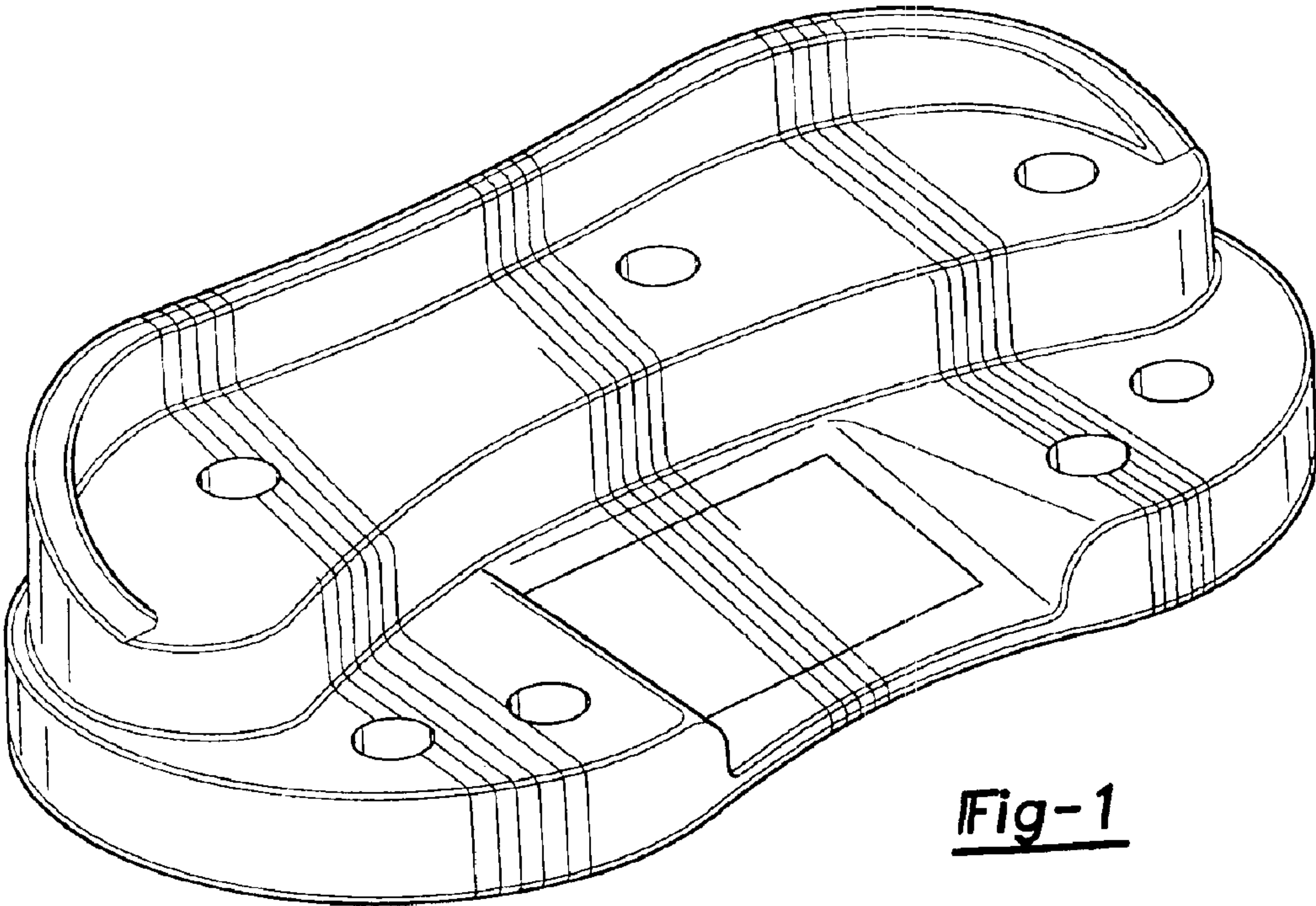


Fig-1

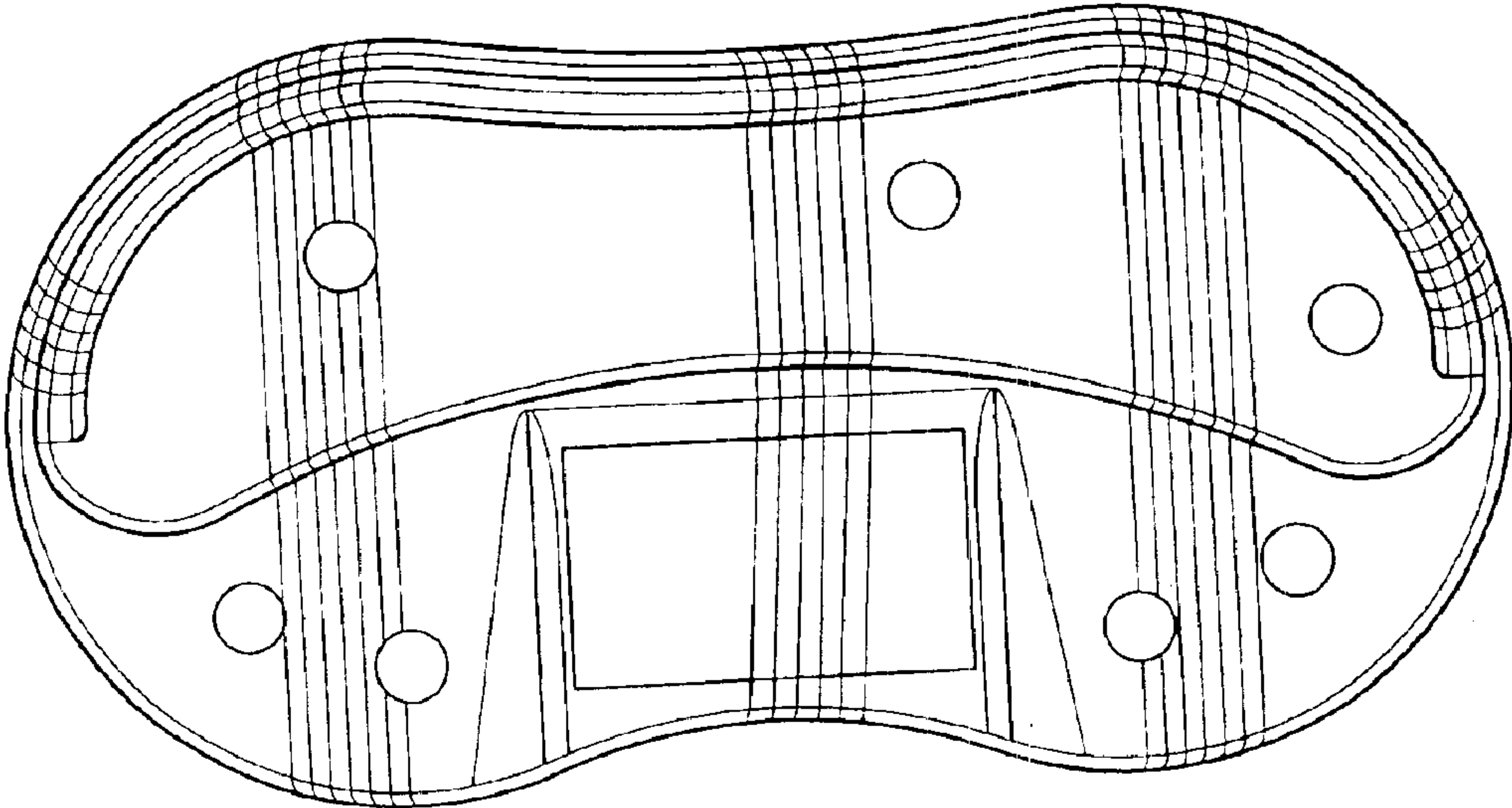


Fig-2

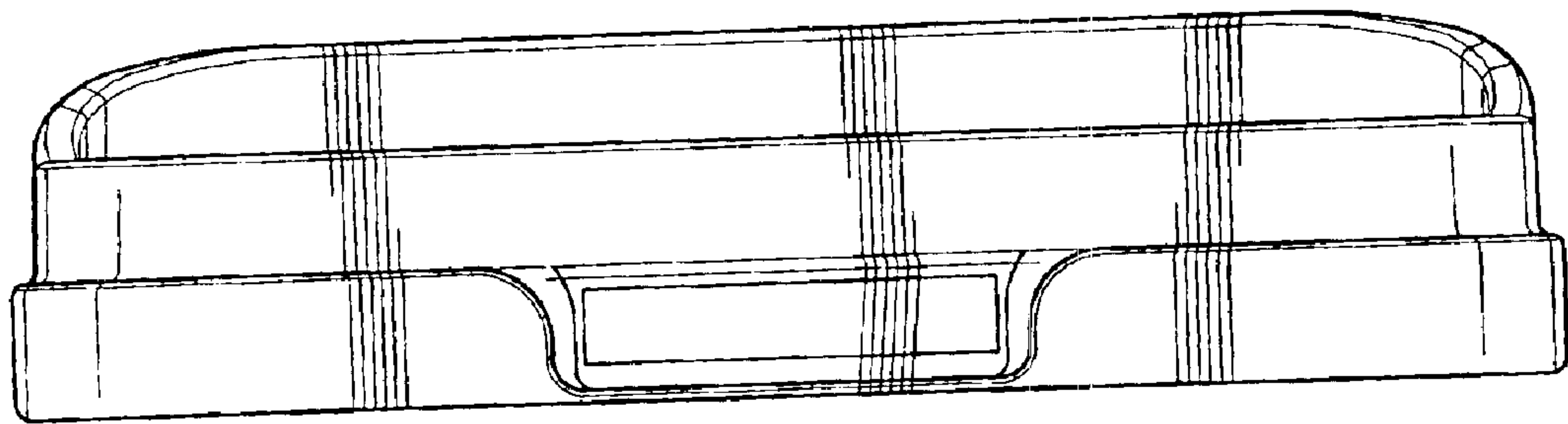


Fig-3

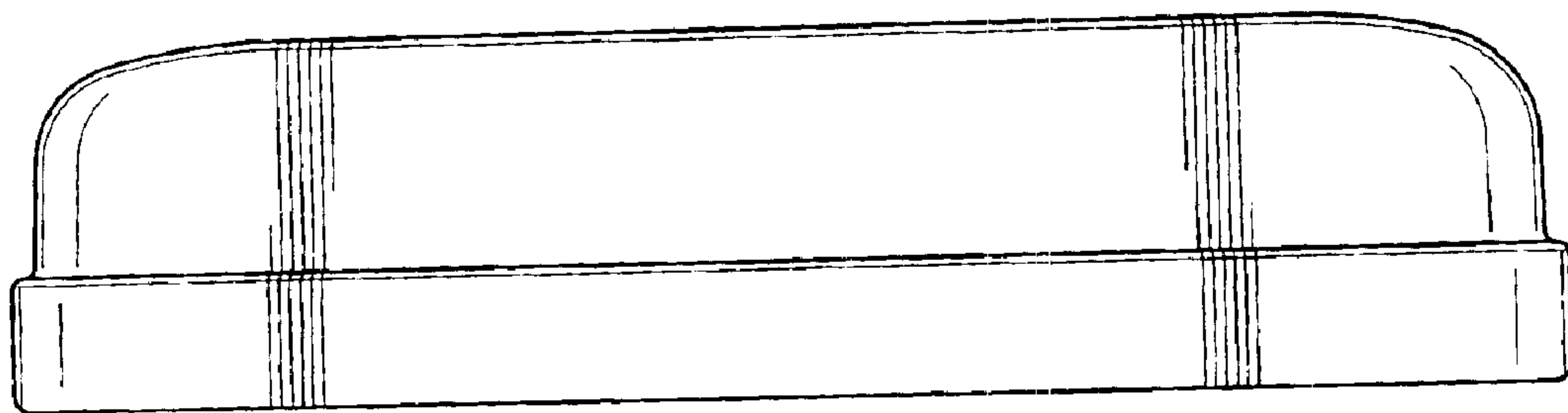


Fig-4

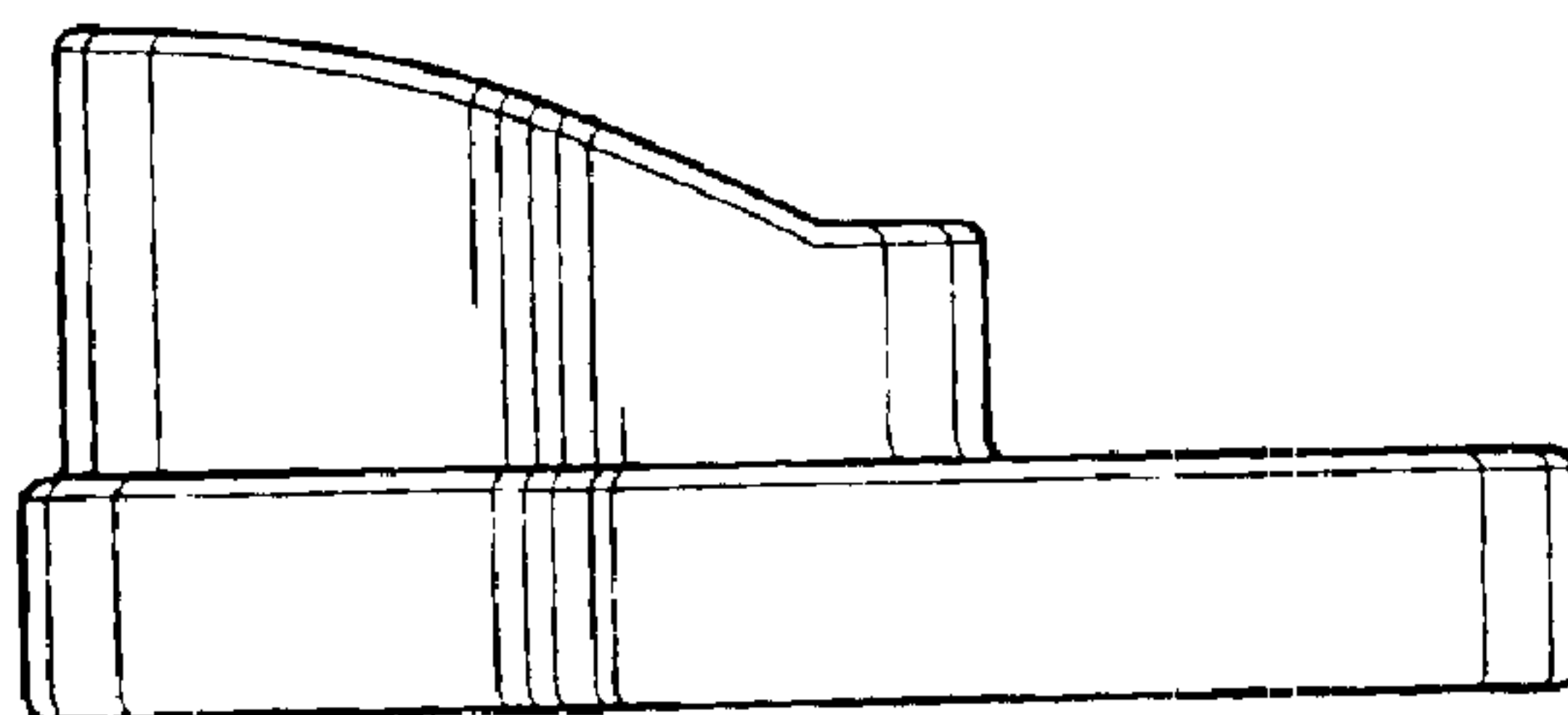


Fig-5