



US00D507897S

(12) **United States Design Patent** (10) Patent No.: **US D507,897 S**
Juneau et al. (45) Date of Patent: **** Aug. 2, 2005**

(54) **FURNITURE**

(75) Inventors: **Alain Juneau**, St-Jean-Chrysostome (CA); **Ivan Lacroix**, Sainte-Marie (CA)

(73) Assignee: **Baronet, Inc.** (CA)

(**) Term: **14 Years**

(21) Appl. No.: **29/202,463**

(22) Filed: **Mar. 31, 2004**

(51) **LOC (8) Cl.** **06-04**

(52) **U.S. Cl.** **D6/448**

(58) **Field of Search** D6/432, 436-441, D6/445-448; 312/114, 204, 224

(56) **References Cited**

U.S. PATENT DOCUMENTS

| | | | | | |
|------------|---|---------|-----------------|-------|--------|
| D118,944 S | * | 2/1940 | Krick | | D6/439 |
| D180,094 S | * | 4/1957 | Miller | | D6/425 |
| D181,538 S | * | 11/1957 | Lubberts et al. | | D6/448 |
| D231,542 S | * | 4/1974 | Munson, Jr. | | D6/448 |
| D243,900 S | * | 4/1977 | Boyd et al. | | D6/448 |
| D291,037 S | * | 7/1987 | Handler et al. | | D6/432 |
| D423,249 S | * | 4/2000 | Hawang | | D6/440 |

OTHER PUBLICATIONS

Thomasville, Four Corners, Square Box, p. 45, 1989.*
Spiegel Catalog, Westminster Printer Cart, p. 282, Spring/Summer 2001.*

* cited by examiner

Primary Examiner—Cathron C. Brooks

(74) *Attorney, Agent, or Firm*—Saidman Design Law Group

(57) **CLAIM**

The ornamental design for furniture, as shown and described.

DESCRIPTION

FIG. 1 is a perspective view of furniture showing our new design;

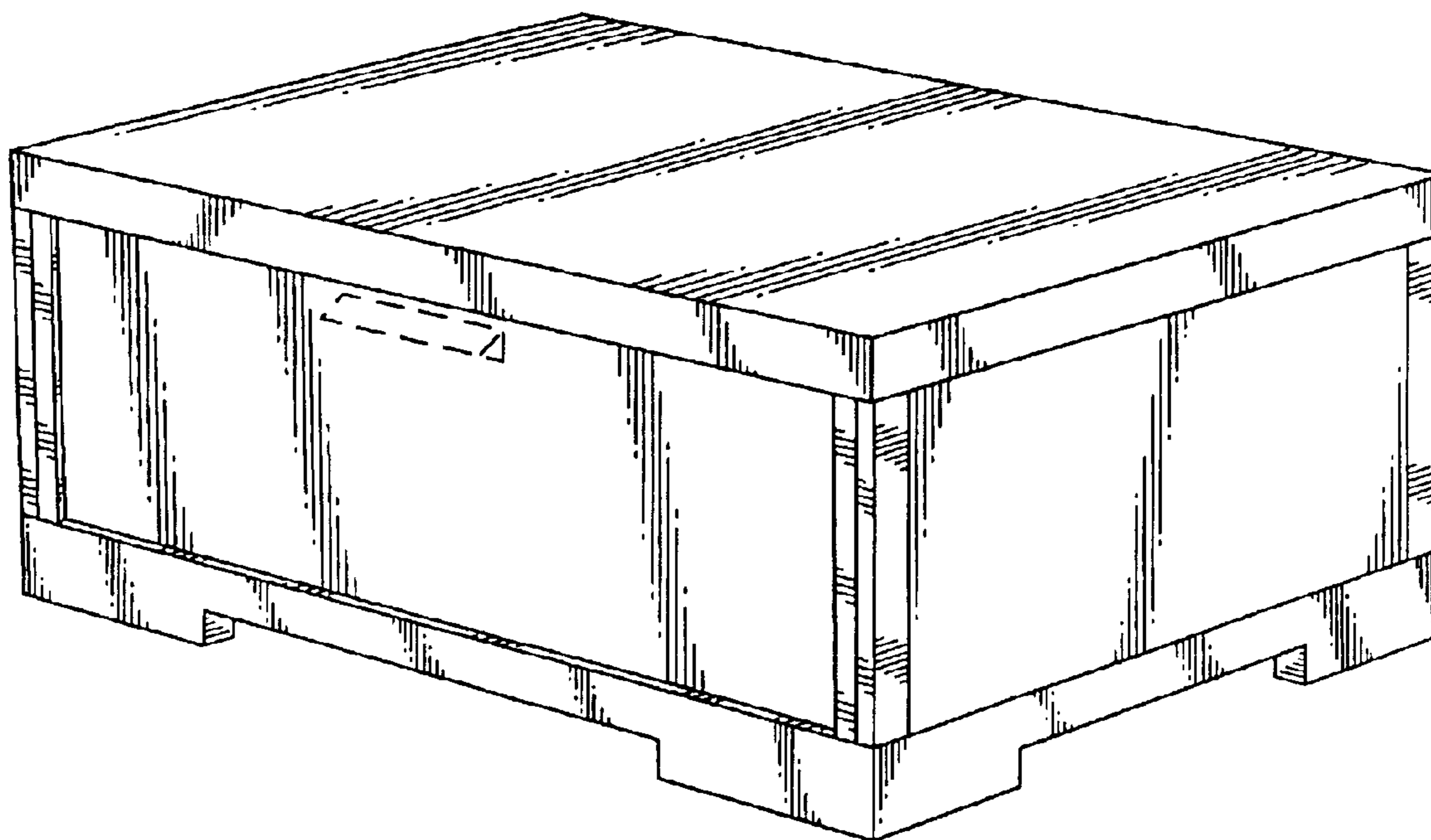
FIG. 2 is a top view thereof;

FIG. 3 is a front view thereof; and,

FIG. 4 is a right-side view thereof, the left-side view being a mirror image.

The broken lines in the drawings showing a handle are illustrative and form no part of the claimed design.

1 Claim, 3 Drawing Sheets



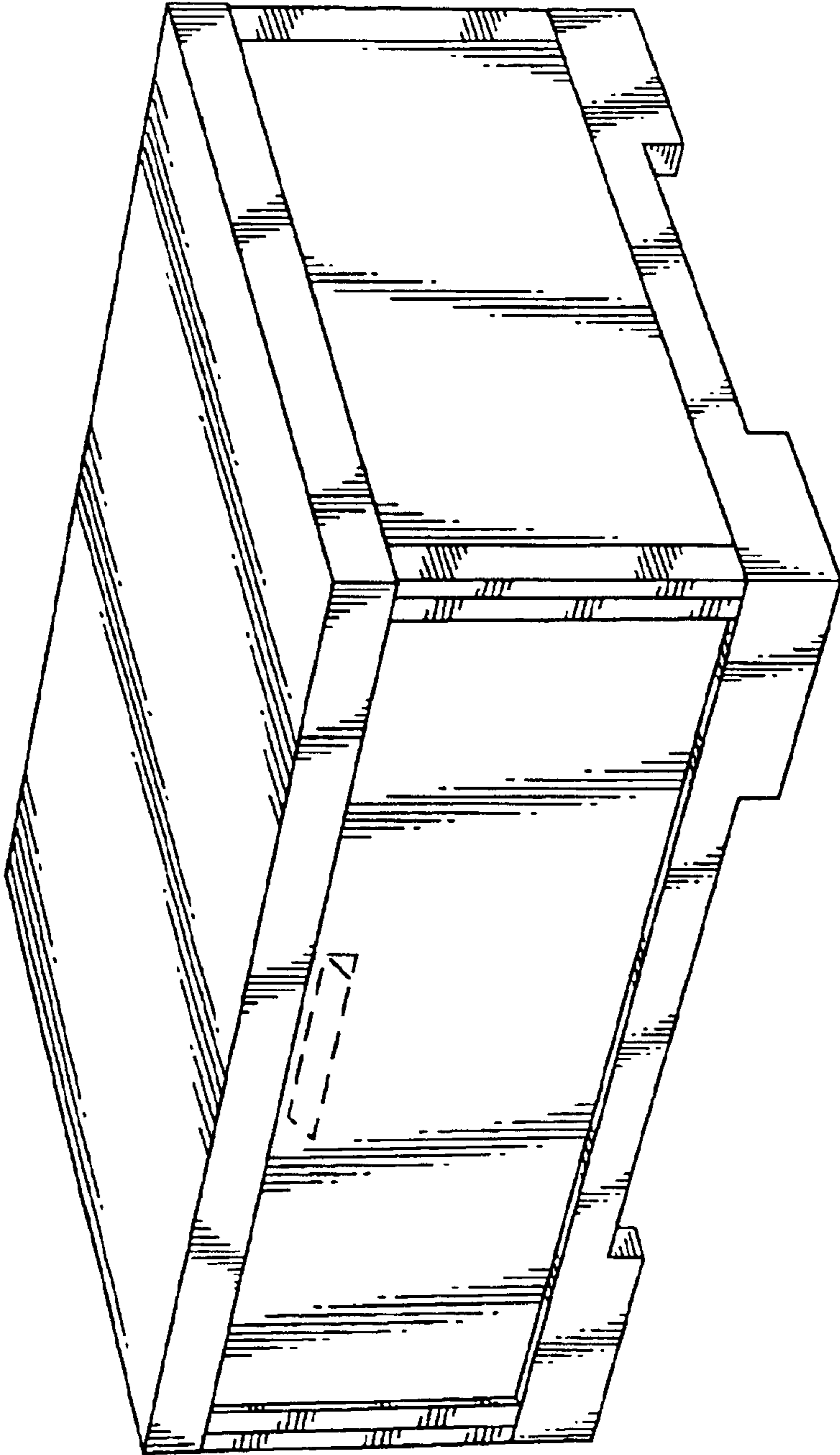


FIG.1

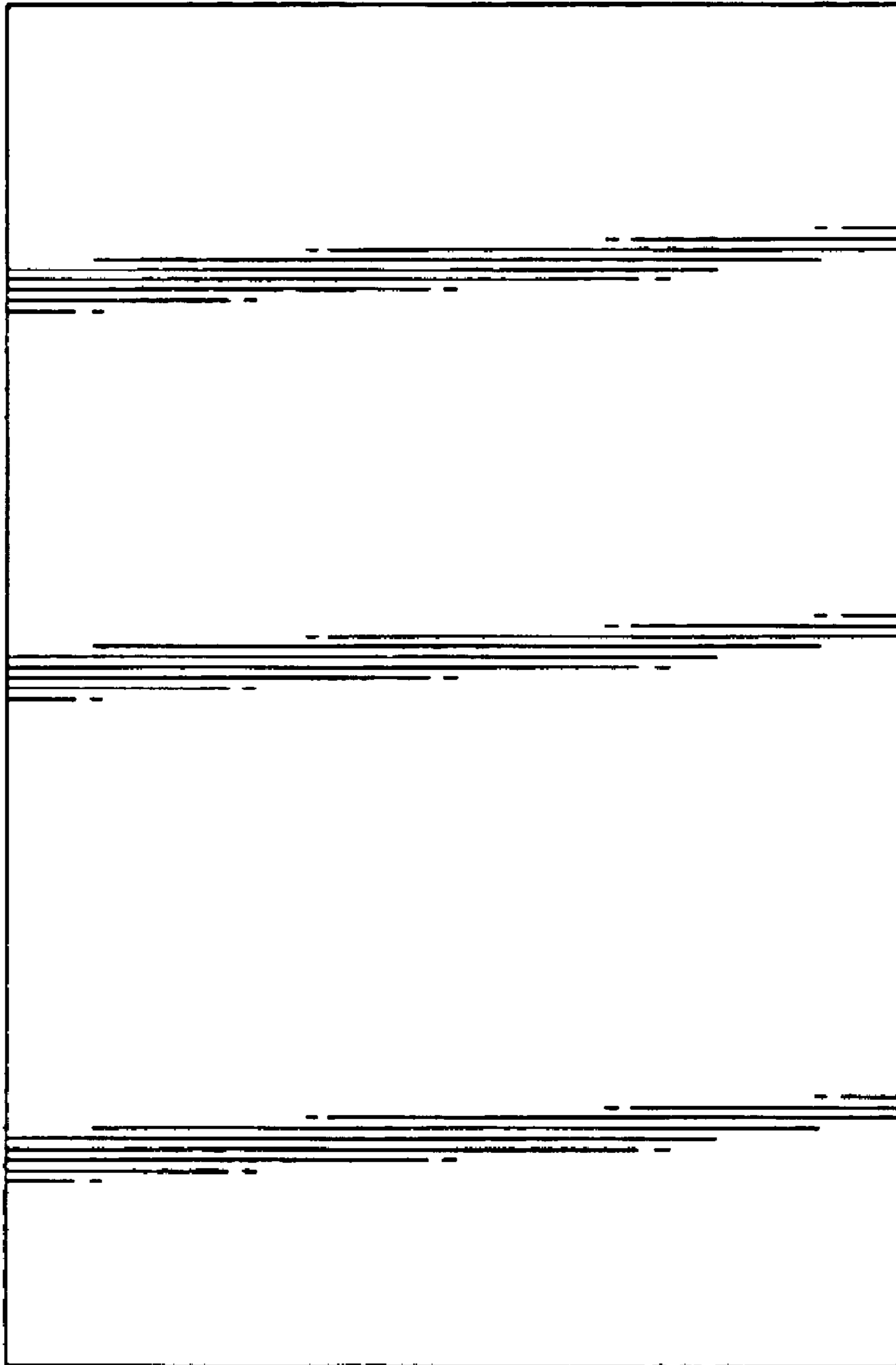


FIG. 2

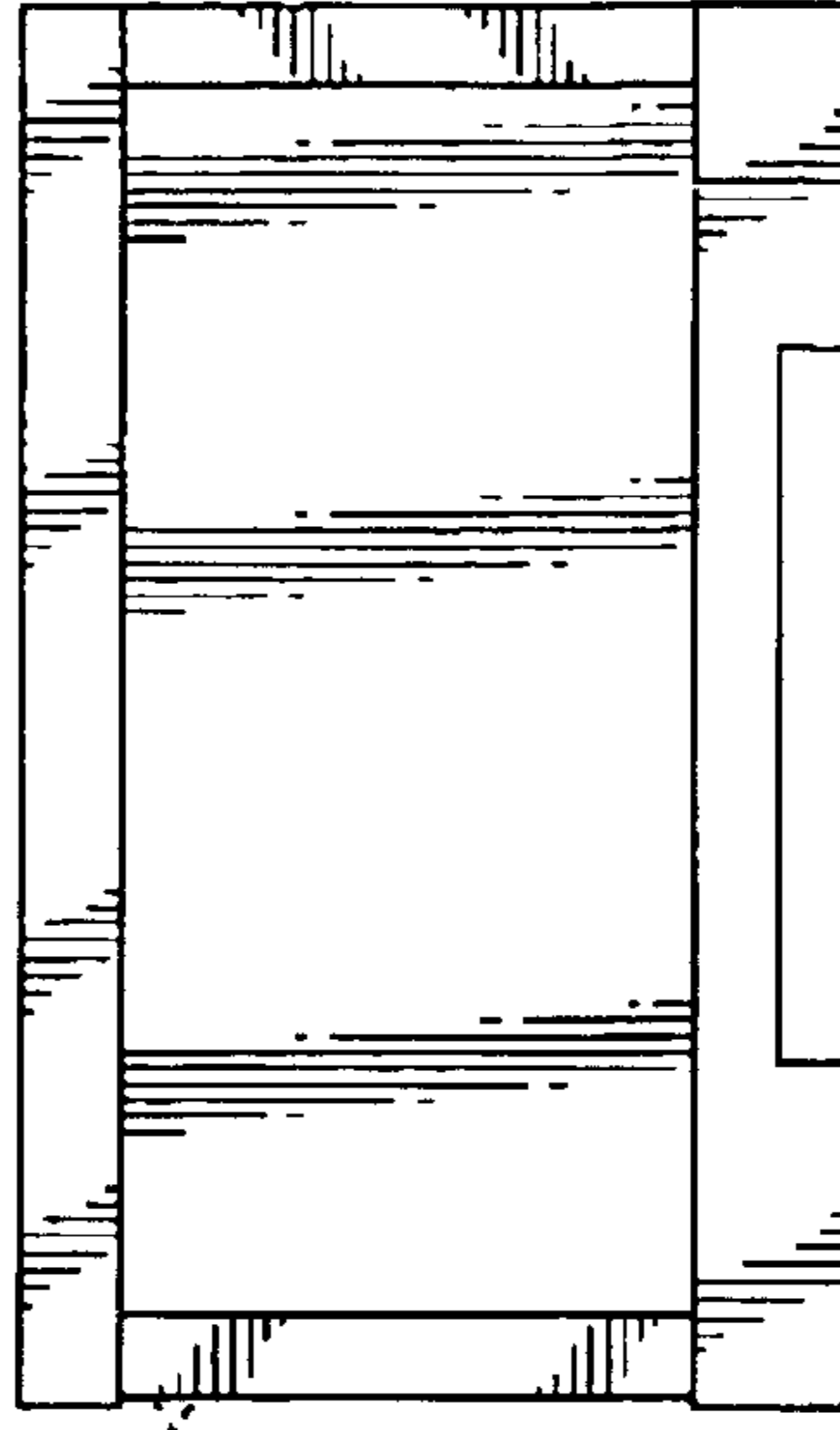


FIG. 4

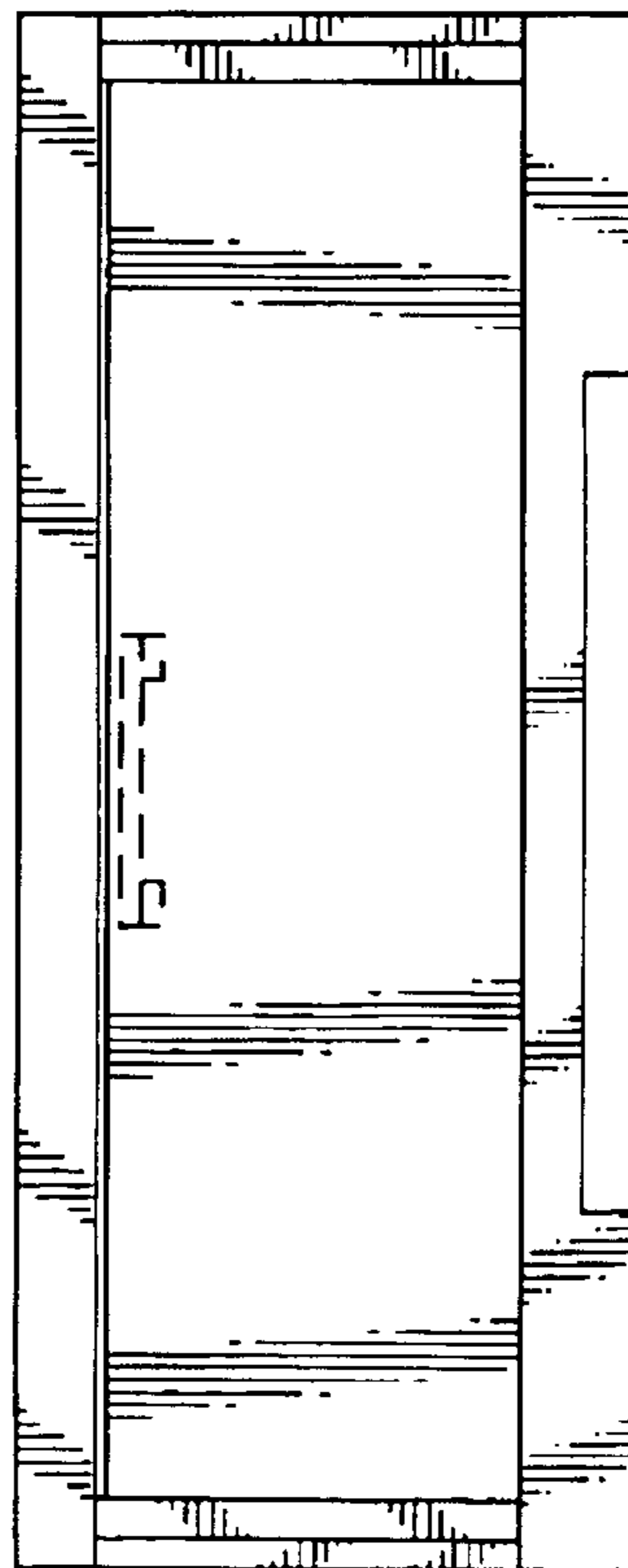


FIG. 3