

US00D507894S

(12) **United States Design Patent**
Juneau et al.

(10) **Patent No.:** **US D507,894 S**

(45) **Date of Patent:** **** Aug. 2, 2005**

(54) **BED**
(75) Inventors: **Alain Juneau**, St-Jean-Chrysostome (CA); **Ivan Lacroix**, Sainte-Marie (CA)
(73) Assignee: **Baronet, Inc.** (CA)
(**) Term: **14 Years**

(21) Appl. No.: **29/202,465**
(22) Filed: **Mar. 31, 2004**

(51) **LOC (8) Cl.** **06-01**
(52) **U.S. Cl.** **D6/393**
(58) **Field of Search** D6/382-384, 388, D6/389, 392-395, 505, 508; 5/53.1, 9.1, 279.1, 280, 281, 907, 310

(56) **References Cited**

U.S. PATENT DOCUMENTS

D393,378 S * 4/1998 Hutton D6/393
D417,973 S 12/1999 Lacroix et al.
D431,730 S * 10/2000 Zorzetto D6/393

D480,888 S * 10/2003 Ogawa D6/393
D495,521 S * 9/2004 Dordoni D6/393

* cited by examiner

Primary Examiner—Janice E. Seeger
(74) *Attorney, Agent, or Firm*—SAIDMAN DesignLaw Group

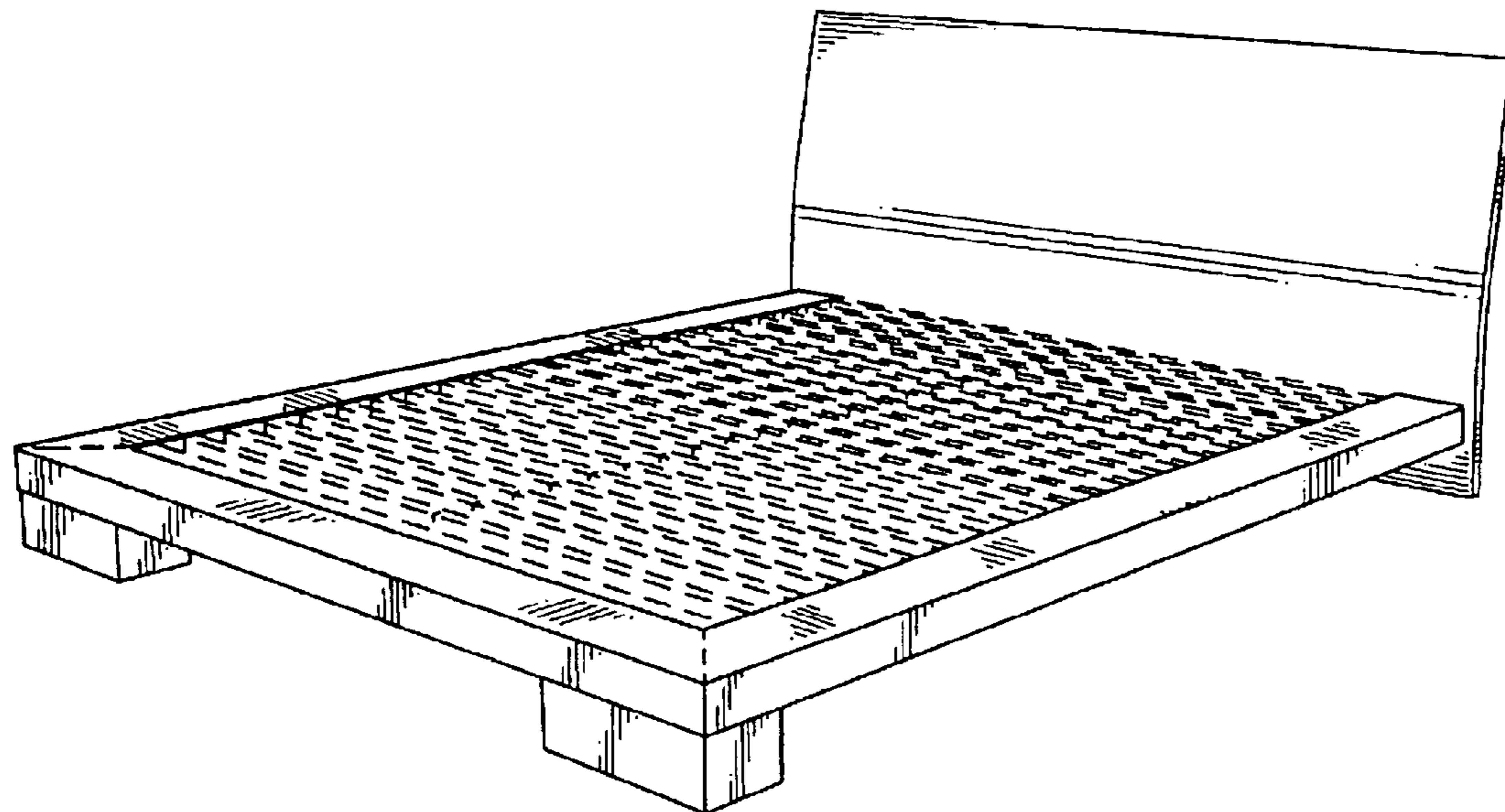
(57) **CLAIM**

The ornamental design for a bed, as shown and described.

DESCRIPTION

FIG. 1 is a perspective view of a bed showing our new design;
FIG. 2 is a front view thereof;
FIG. 3 is a back view thereof; and,
FIG. 4 is a right-side view thereof, the left-side view being a mirror image.
The broken lines in the drawings, showing support slats, support member and holes, represent environmental subject matter and form no part of the claimed design.

1 Claim, 4 Drawing Sheets



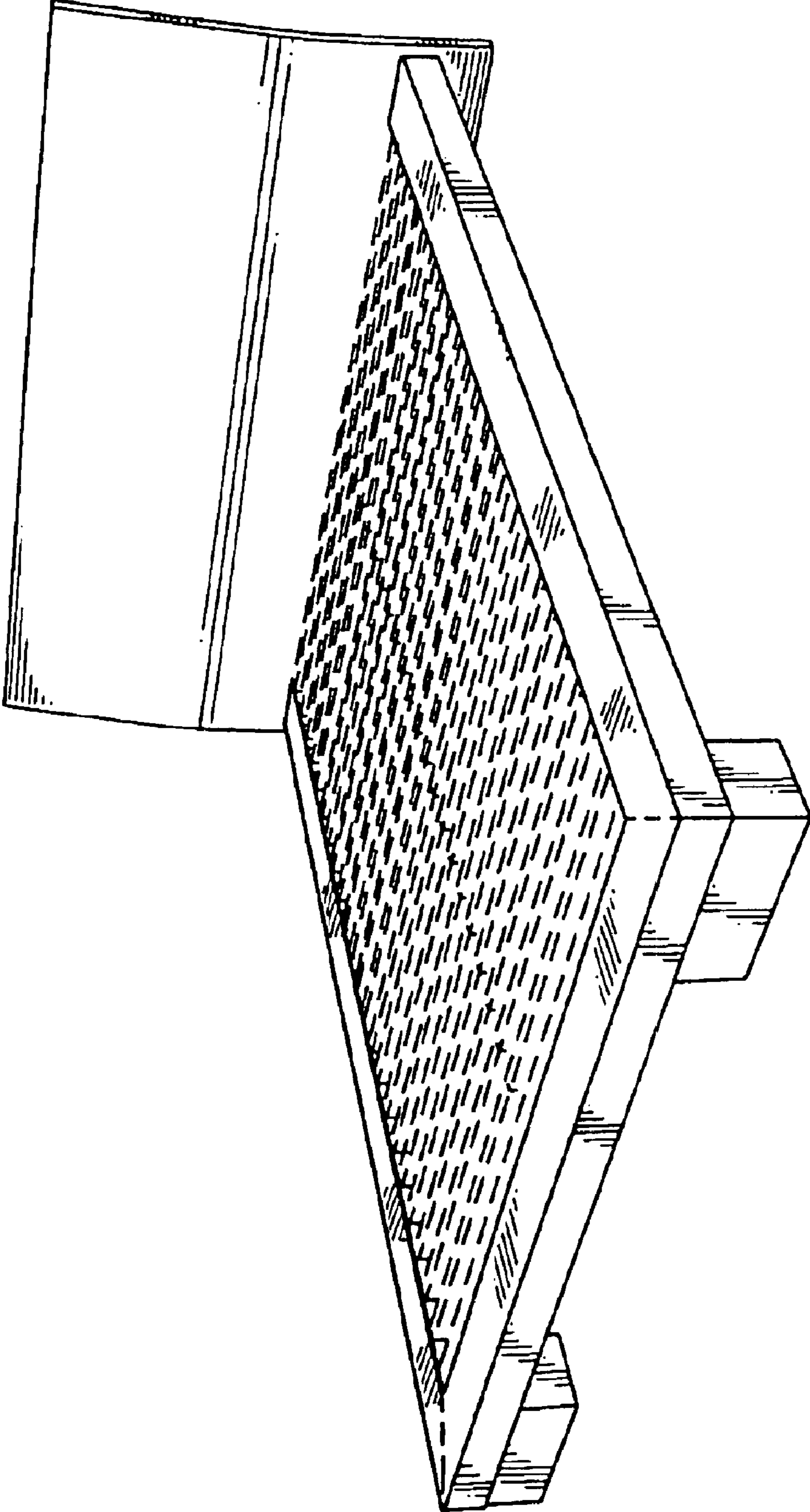


FIG.1

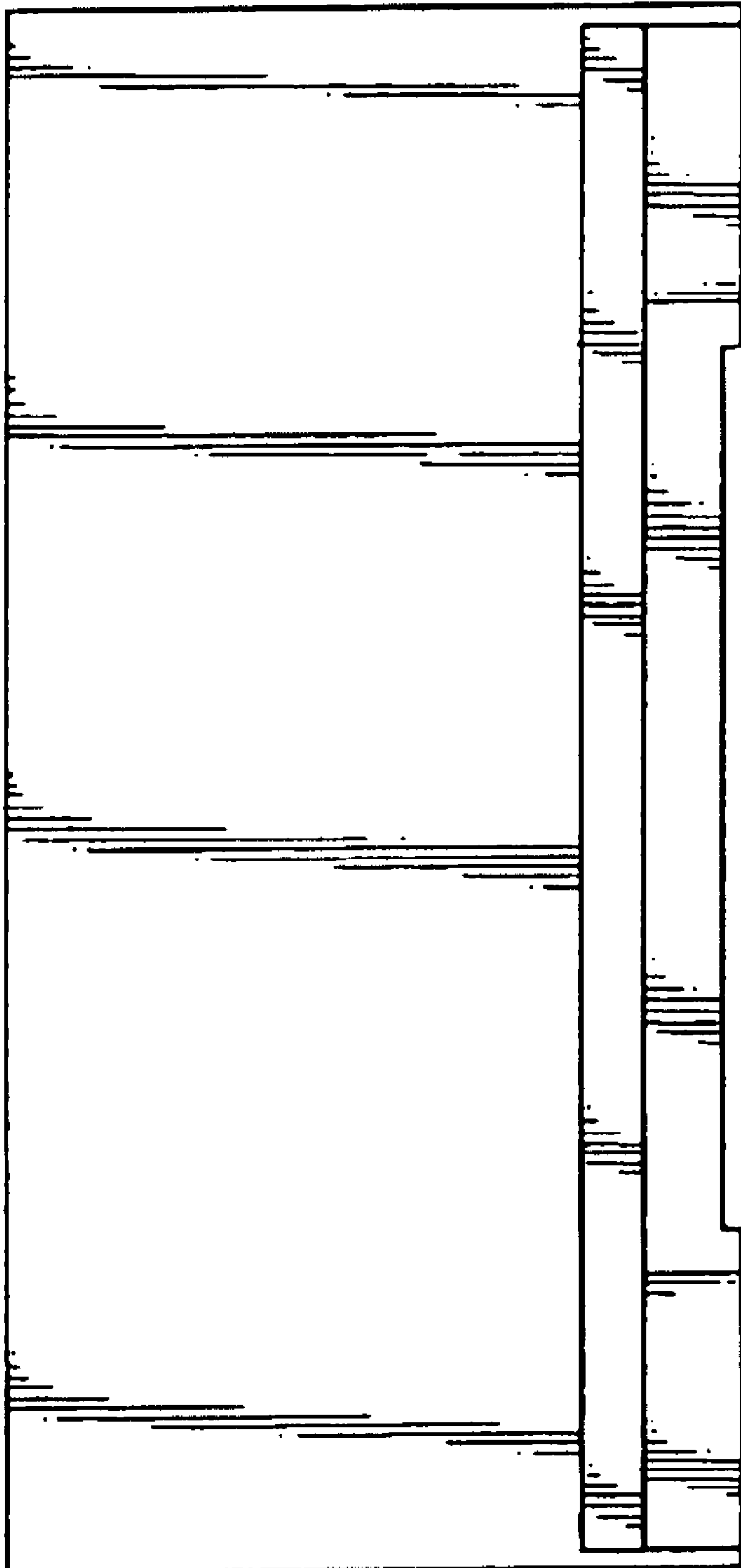


FIG. 2

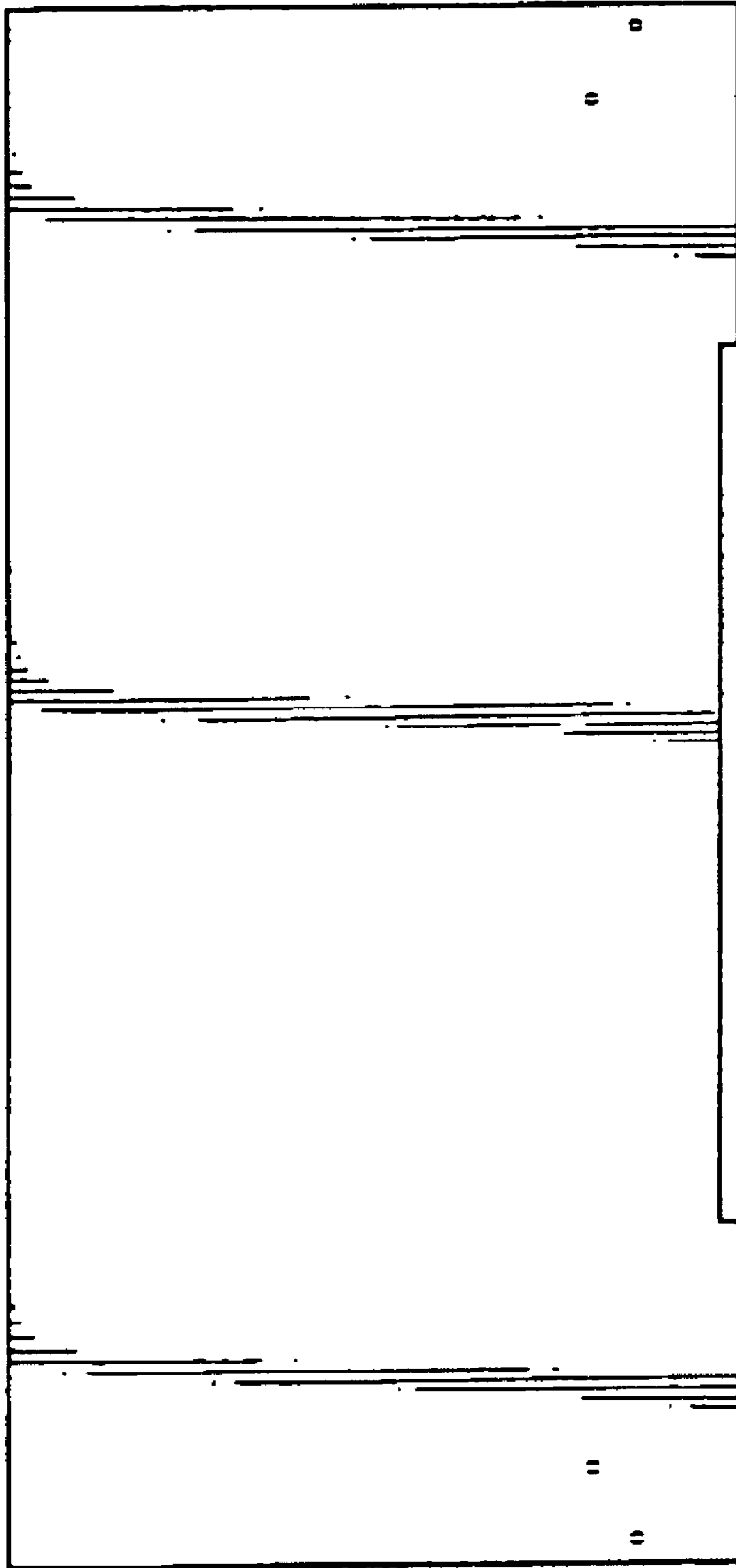


FIG. 3

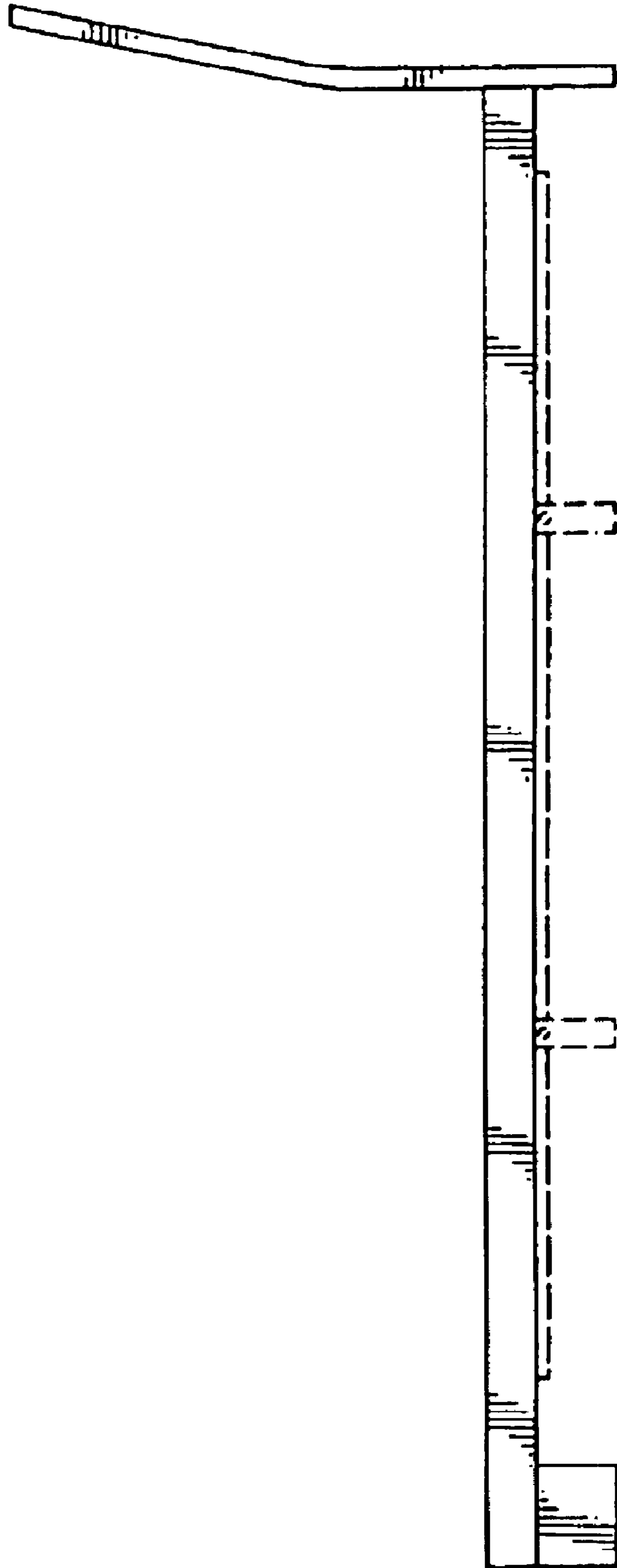


FIG.4