

US00D507893S

(12) **United States Design Patent** (10) **Patent No.:** **US D507,893 S**
Glass et al. (45) **Date of Patent:** **** *Aug. 2, 2005**

(54) **STOOL**

(75) Inventors: **Peter R. Glass**, Arroyo Grande, CA (US); **Robert J. Mills**, Torrance, CA (US)

(73) Assignee: **Virco Mgmt. Corporation**, Torrance, CA (US)

(*) Notice: This patent is subject to a terminal disclaimer.

(**) Term: **14 Years**

(21) Appl. No.: **29/212,070**

(22) Filed: **Aug. 26, 2004**

(51) **LOC (8) Cl.** **06-01**

(52) **U.S. Cl.** **D6/360; D6/375**

(58) **Field of Search** D6/334, 360, 374, D6/375, 364-367, 500-502; 297/411.2, 445.1, 423.38, 344.12

(56) **References Cited**

U.S. PATENT DOCUMENTS

- D23,424 S 7/1894 Waldvogel
- D55,927 S 8/1920 Allen
- D56,169 S 8/1920 Jones et al.
- D59,222 S 10/1921 Headley
- D59,223 S 10/1921 Headley
- D77,756 S 2/1929 Dyer
- D78,737 S 6/1929 Ekvall
- D86,879 S 5/1932 Easterday
- D105,668 S 8/1937 Michelson
- D114,435 S 4/1939 Berna
- D133,261 S 8/1942 Thelander
- D137,904 S 5/1944 Dieter
- D157,478 S 2/1950 Farkas, Jr.
- D160,105 S 9/1950 Michelson
- D162,854 S 4/1951 Lumley
- D171,652 S 3/1954 Keady
- D174,695 S 5/1955 Kipp
- D176,880 S 2/1956 Phillips
- D179,593 S 1/1957 Cramer
- D182,213 S 2/1958 Wiederhold

- D202,426 S 9/1965 Jakobsen
- D203,437 S 1/1966 Melchior
- D206,118 S 11/1966 Bates
- D206,323 S 11/1966 Kasparian
- D206,713 S 1/1967 Durko
- D207,708 S 5/1967 Michals
- D213,683 S 4/1969 Leistikow
- D215,428 S 9/1969 Tapert
- D215,429 S 9/1969 Sickler
- D220,388 S * 4/1971 Kramer D6/366

(Continued)

OTHER PUBLICATIONS

- Virco IQ Lab Stool, p. 1, model No. 466017GCLS, Jun. 2003.
- Artco-Bell Corporation Furniture to Enhance Education catalog, p. 33 model Nos. 0801, 0802, 0804, 0805, and 7990, undated.
- CDF School Furniture catalog, single sheet, model No. 7000, undated.
- Royal Seating, Ltd. Total Furniture Solutions catalog, p. 14, model Nos. 1500, 1551, 1518, 3551, 3616, and 4551, undated.
- Scholar Craft School Furniture catalog, p. 30, model Nos. 110 and 300, undated.

Primary Examiner—Mimosa De
(74) *Attorney, Agent, or Firm*—Robert M. Hupe; Virco Mgmt. Corporation

(57) **CLAIM**

The ornamental design for a “stool,” as shown.

DESCRIPTION

FIG. 1 is a perspective view of a stool showing my new design;
FIG. 2 is a front elevational view thereof;
FIG. 3 is a left side view thereof;
FIG. 4 is a right side view thereof;
FIG. 5 a bottom view thereof;
FIG. 6 is a top view thereof; and,
FIG. 7 is a back elevational view thereof.

1 Claim, 4 Drawing Sheets



US D507,893 S

Page 2

U.S. PATENT DOCUMENTS

D230,668 S	3/1974	Johnson	
D232,879 S	9/1974	Samhammer	
D232,880 S	9/1974	Samhammer	
D233,713 S	11/1974	Ruoslahti et al.	
D233,714 S	11/1974	Everard et al.	
D234,101 S	1/1975	Salmon et al.	
D237,846 S	12/1975	Zeischegg	
D257,473 S	11/1980	Wilson	
D261,078 S	10/1981	Wilson	
D263,775 S	4/1982	Hopper	
D274,865 S	* 7/1984	Murry	D6/360
D274,958 S	8/1984	Aronowitz et al.	
D275,054 S	* 8/1984	Aronowitz et al.	D6/360
D275,242 S	8/1984	Stephens	
D283,762 S	* 5/1986	Caruso	D6/360
D293,743 S	1/1988	Hoyt	
D296,623 S	7/1988	Chadwick et al.	
D309,381 S	7/1990	Buhk	
D309,382 S	7/1990	Buhk	
4,995,671 A	2/1991	Gabourie et al.	
D326,372 S	* 5/1992	Edwards	D6/360
D332,011 S	12/1992	Fahnstrom et al.	
D335,398 S	5/1993	Heidmann	
D346,911 S	* 5/1994	Lucci et al.	D6/374
D357,148 S	4/1995	Altis, Sr. et al.	
D357,592 S	4/1995	Kellen	
D368,379 S	4/1996	Muller	
D376,924 S	12/1996	Beaulieu	
D377,726 S	2/1997	Steinfeld	
D378,714 S	* 4/1997	Beaulieu	D6/366
D393,968 S	5/1998	Penning et al.	
D395,962 S	* 7/1998	Buffon	D6/366
D400,721 S	11/1998	Baeriswyl et al.	
D406,198 S	3/1999	Lin et al.	
D406,470 S	3/1999	Lin	
D408,646 S	4/1999	Lin et al.	
D409,407 S	* 5/1999	Wang	D6/375
5,988,754 A	11/1999	Lamart et al.	
D420,821 S	2/2000	Barile et al.	
6,053,577 A	4/2000	Arko et al.	
D431,380 S	10/2000	Hutton	
D433,829 S	11/2000	Barile et al.	
D433,830 S	11/2000	Barile et al.	
D460,281 S	7/2002	Shields et al.	
D468,918 S	1/2003	de Blois	
D470,320 S	* 2/2003	Schloss	D6/375
D473,407 S	* 4/2003	Ross	D6/500
D474,039 S	5/2003	Zemp	
D485,447 S	1/2004	Stanton	
D488,630 S	4/2004	McCann	

* cited by examiner



FIG. 1

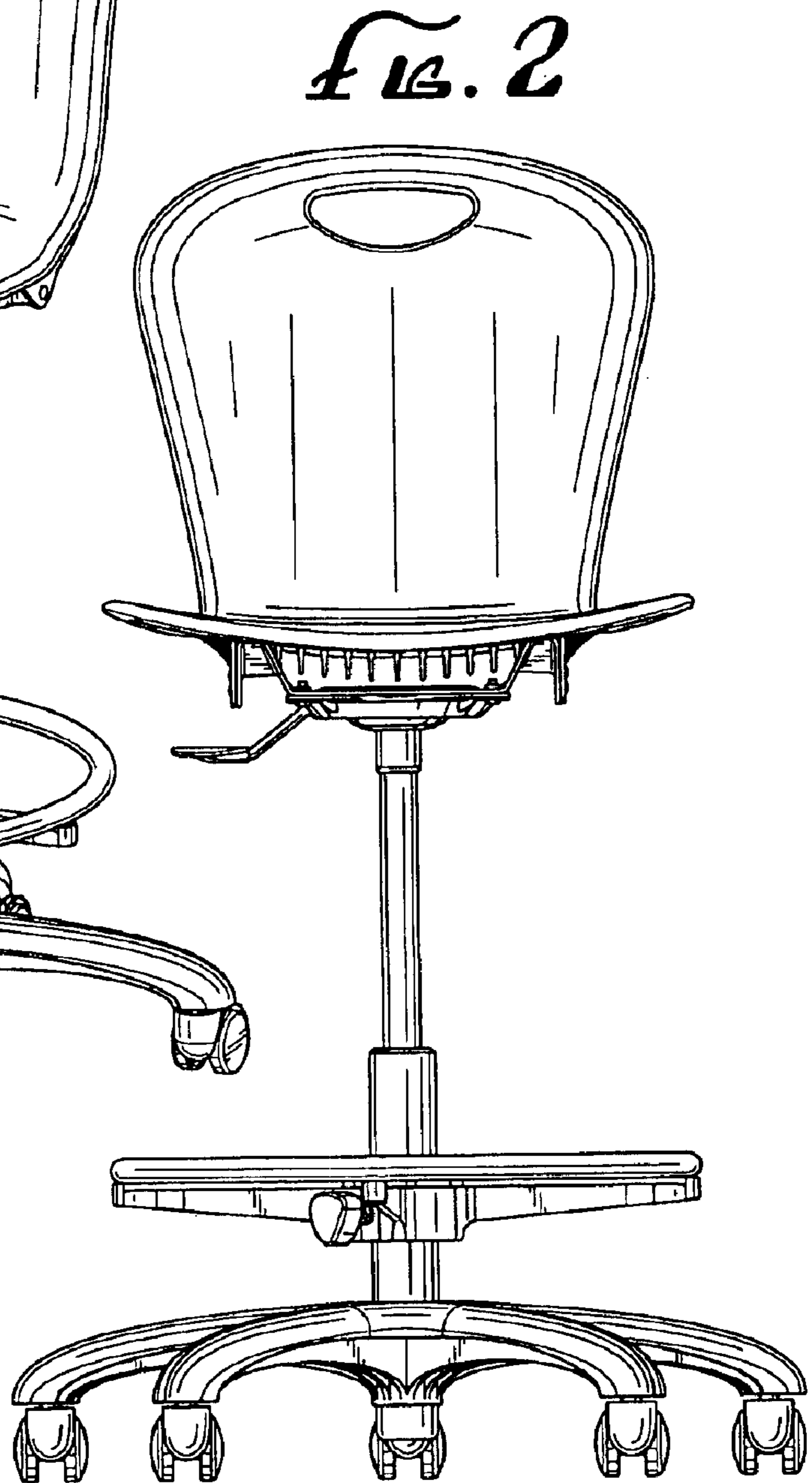
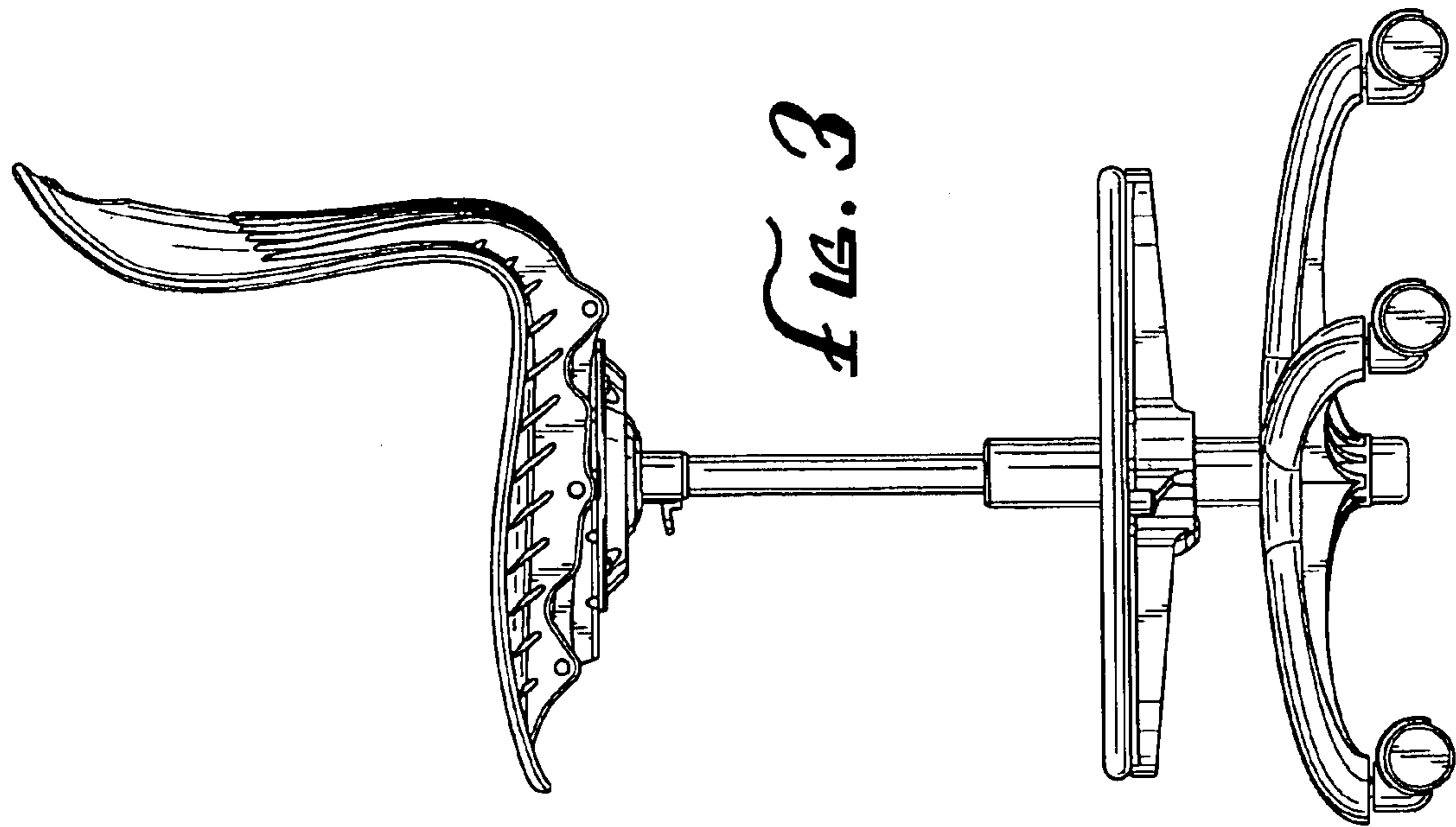
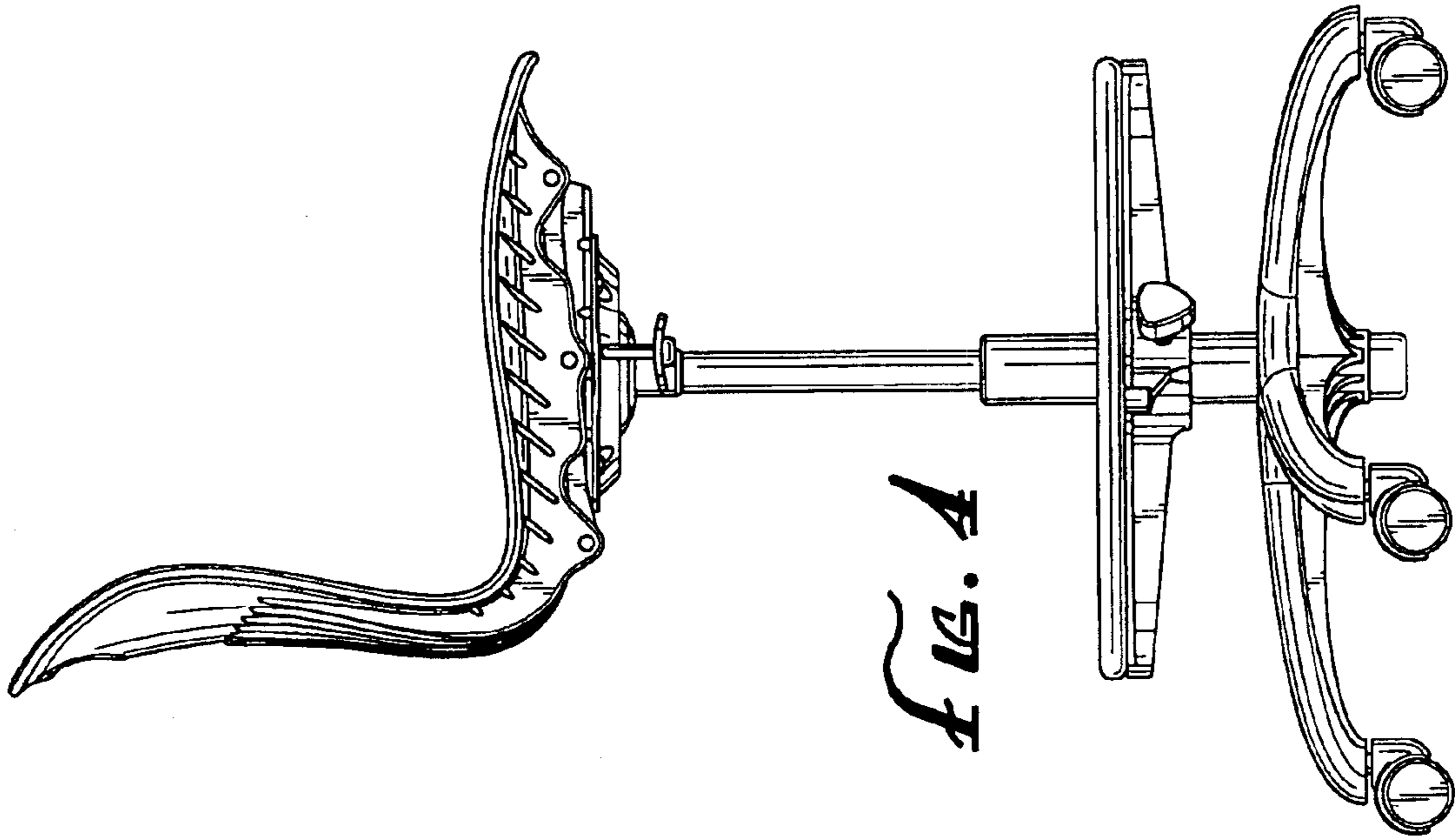


FIG. 2



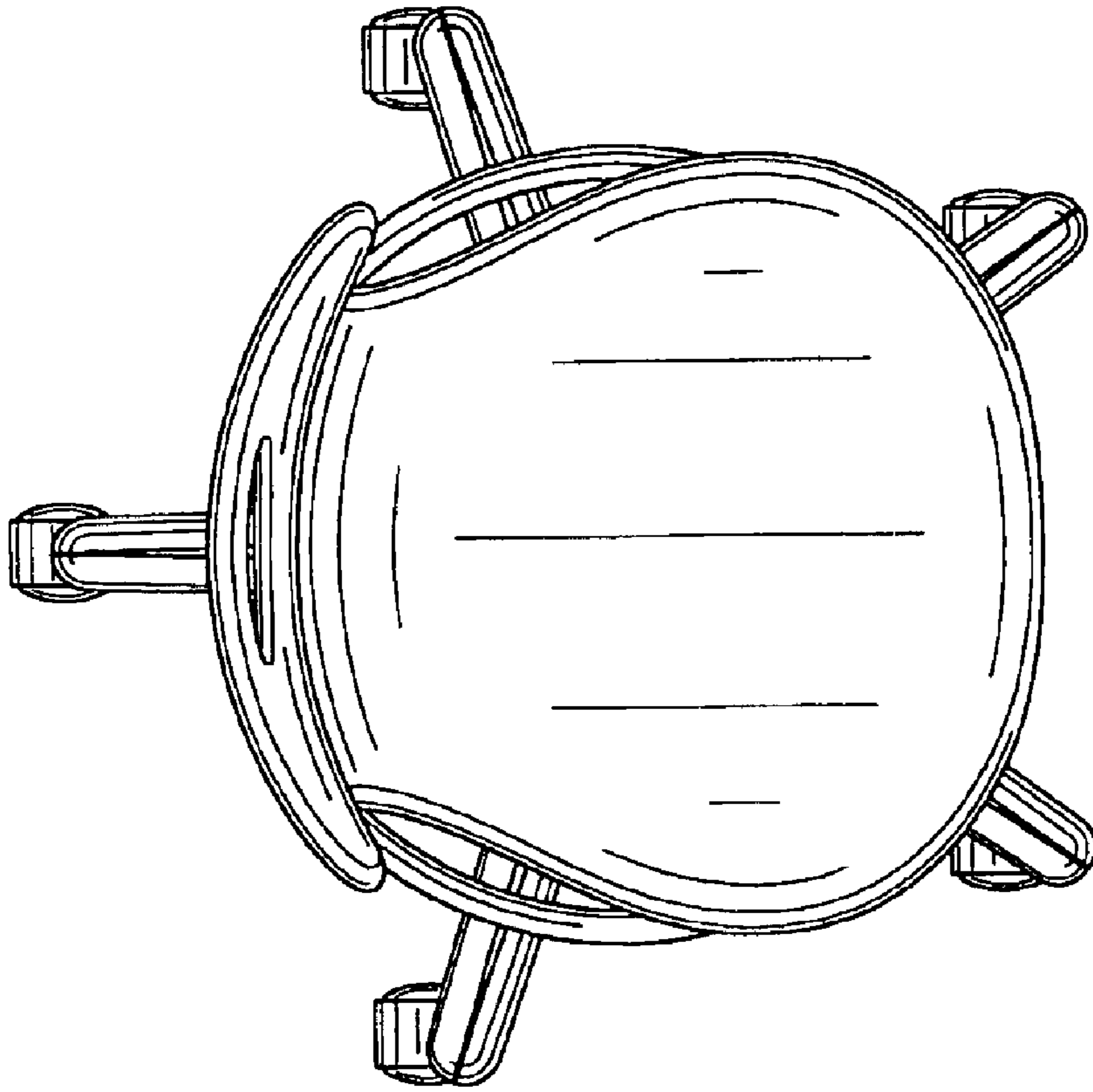


Fig. 1

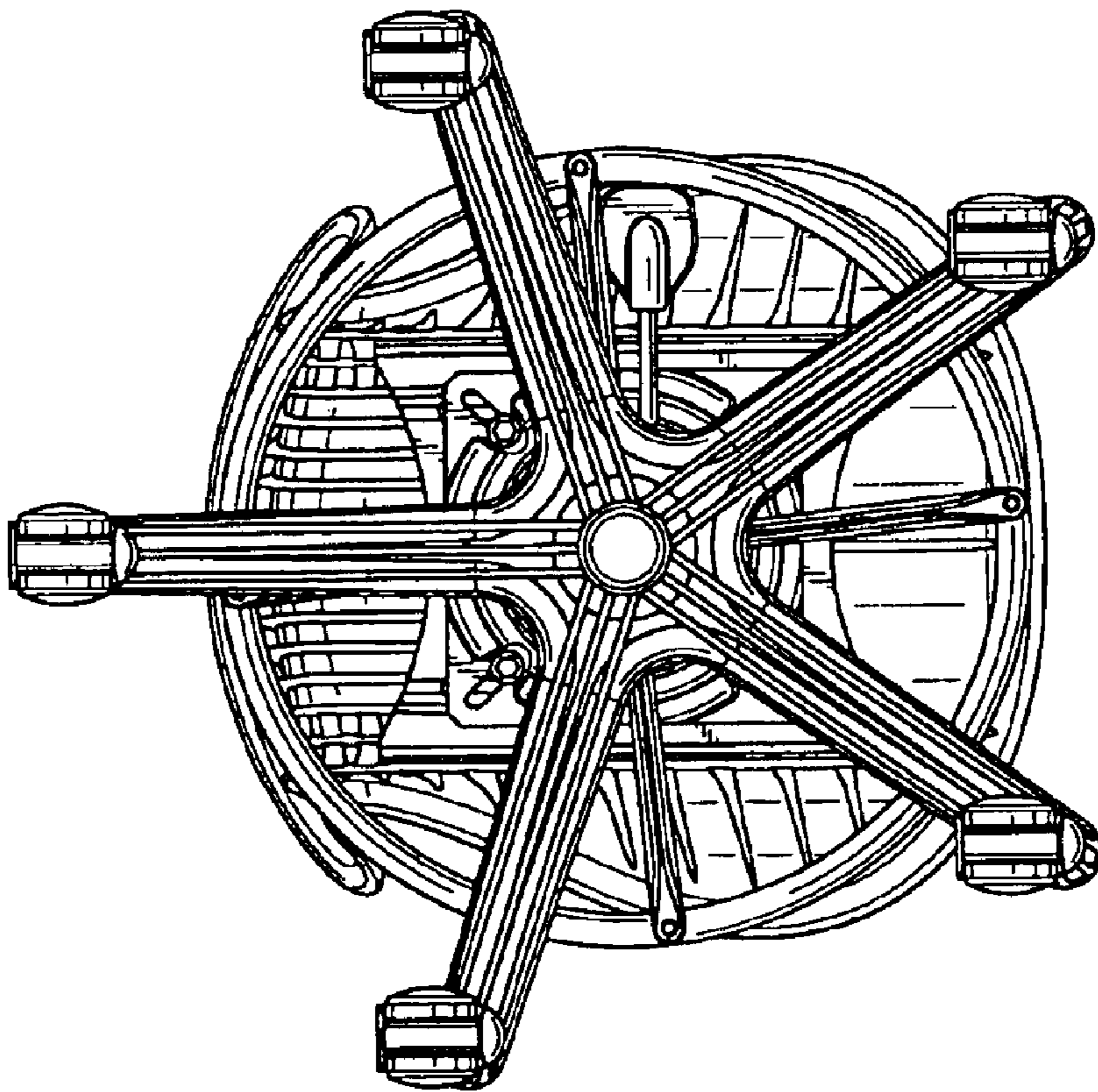


Fig. 2

