

US00D507892S

(12) **United States Design Patent**  
**Zheng**

(10) **Patent No.:** **US D507,892 S**

(45) **Date of Patent:** **\*\* Aug. 2, 2005**

(54) **COLLAPSIBLE SPORTS CHAIR**

(76) **Inventor:** **Edward Zheng**, 876 Everset Dr., Chino Hills, CA (US) 91709

(\*\*) **Term:** **14 Years**

(21) **Appl. No.:** **29/200,735**

(22) **Filed:** **Mar. 2, 2004**

(51) **LOC (8) Cl.** ..... **06-01**

(52) **U.S. Cl.** ..... **D6/358; D6/368**

(58) **Field of Search** ..... D6/334-336, 367, D6/368, 374, 375, 379, 500-502, 358; 297/16.2, 45, 46, 55, 56, 57, 440.1, 452.13, 181, 354.1; D21/825

(56) **References Cited**

**U.S. PATENT DOCUMENTS**

D274,347	S	*	6/1984	Budde	.....	D21/825
5,067,771	A	*	11/1991	Ellis	.....	D6/358
5,893,605	A	*	4/1999	Chang	.....	297/16.2
D432,325	S	*	10/2000	Zheng et al.	.....	D6/368
6,644,731	B2	*	11/2003	Tang	.....	297/16.2
6,682,135	B2	*	1/2004	Zheng	.....	297/16.2
6,733,070	B2	*	5/2004	Chang	.....	297/16.2
6,755,462	B2	*	6/2004	Zheng	.....	297/16.2
2002/0074834	A1	*	6/2002	Summar et al.	.....	297/16.2

2003/0052518	A1	*	3/2003	Zheng	.....	297/16.2
2003/0057741	A1	*	3/2003	Zheng	.....	297/16.2
2004/0066075	A1	*	4/2004	Yeh	.....	297/354.1

\* cited by examiner

*Primary Examiner*—Mimosa De

(74) *Attorney, Agent, or Firm*—Rutan & Tucker

(57) **CLAIM**

The ornamental design for a collapsible sports chair, as shown and described.

**DESCRIPTION**

FIG. 1 is a perspective view of one collapsible sports chair. FIG. 2 is a top view of the collapsible sports chair of FIG. 1. FIG. 3 is a front view of the collapsible sports chair of FIG. 1. FIG. 4 is a left side view of the collapsible sports chair of FIG. 1. FIG. 5 is a rear view of the collapsible sports chair of FIG. 1. FIG. 6 is a right side view of the collapsible sports chair of FIG. 1; and, FIG. 7 is a bottom view of the collapsible sports chair of FIG. 1.

**1 Claim, 4 Drawing Sheets**

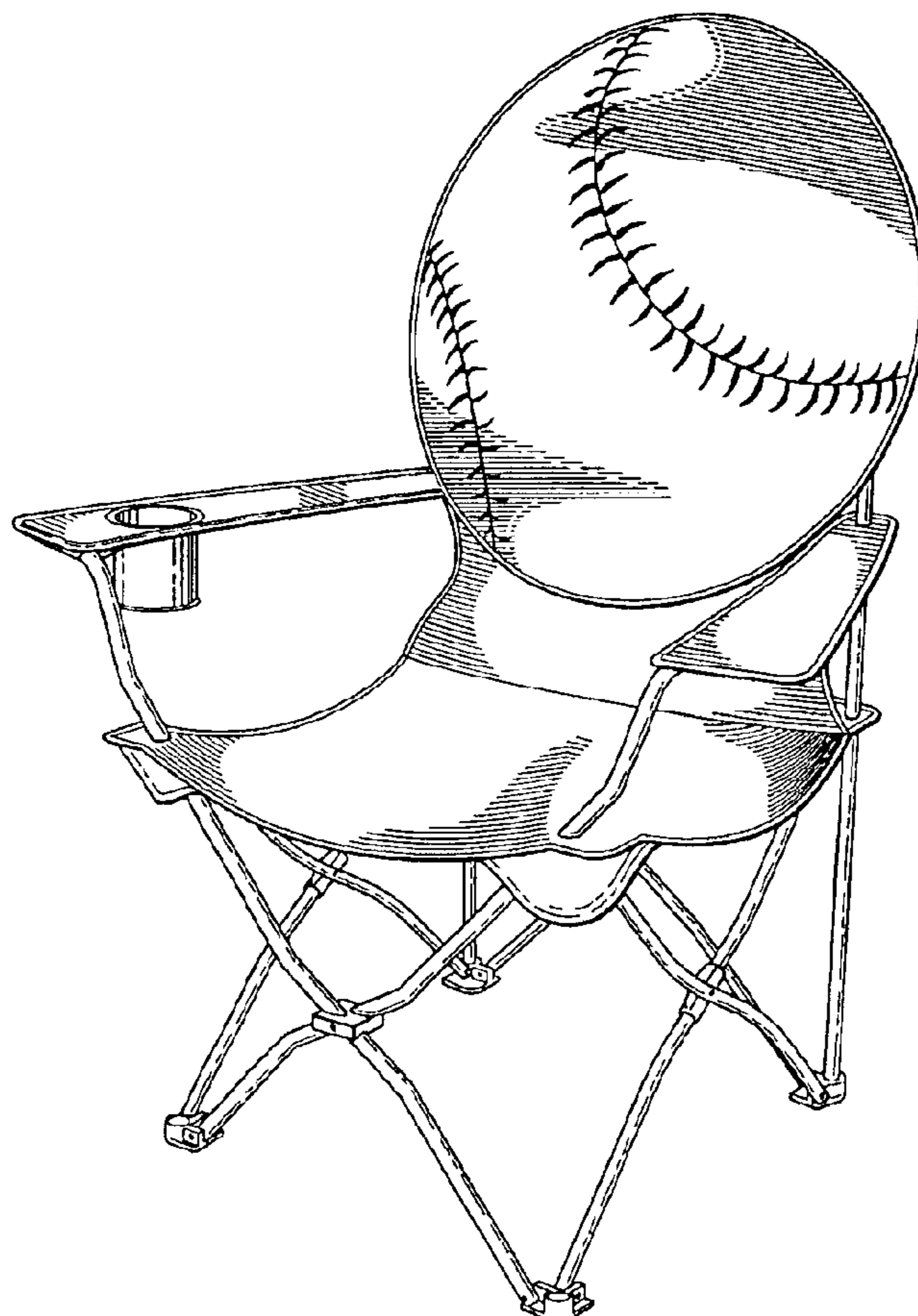


FIG. 1

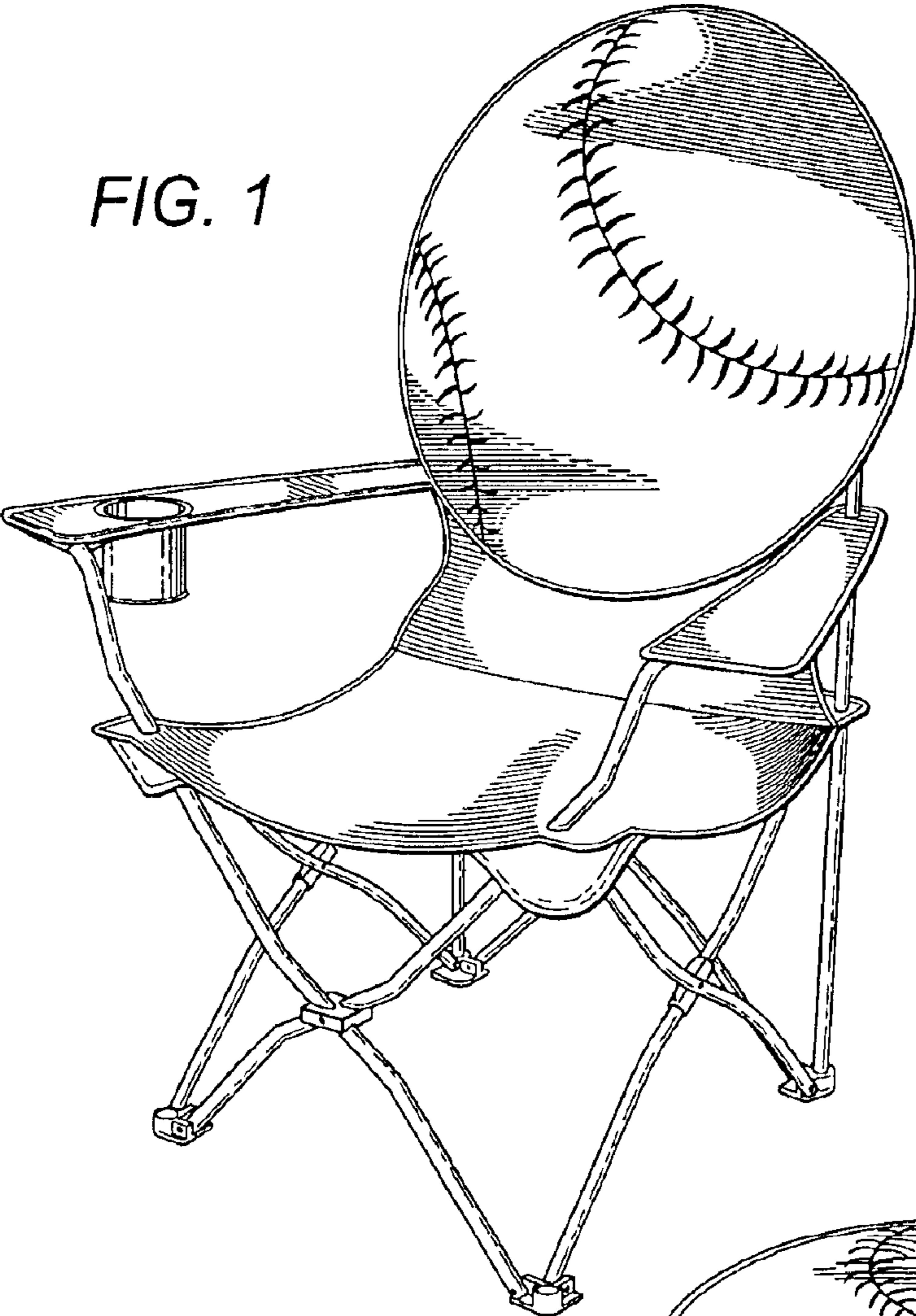


FIG. 2

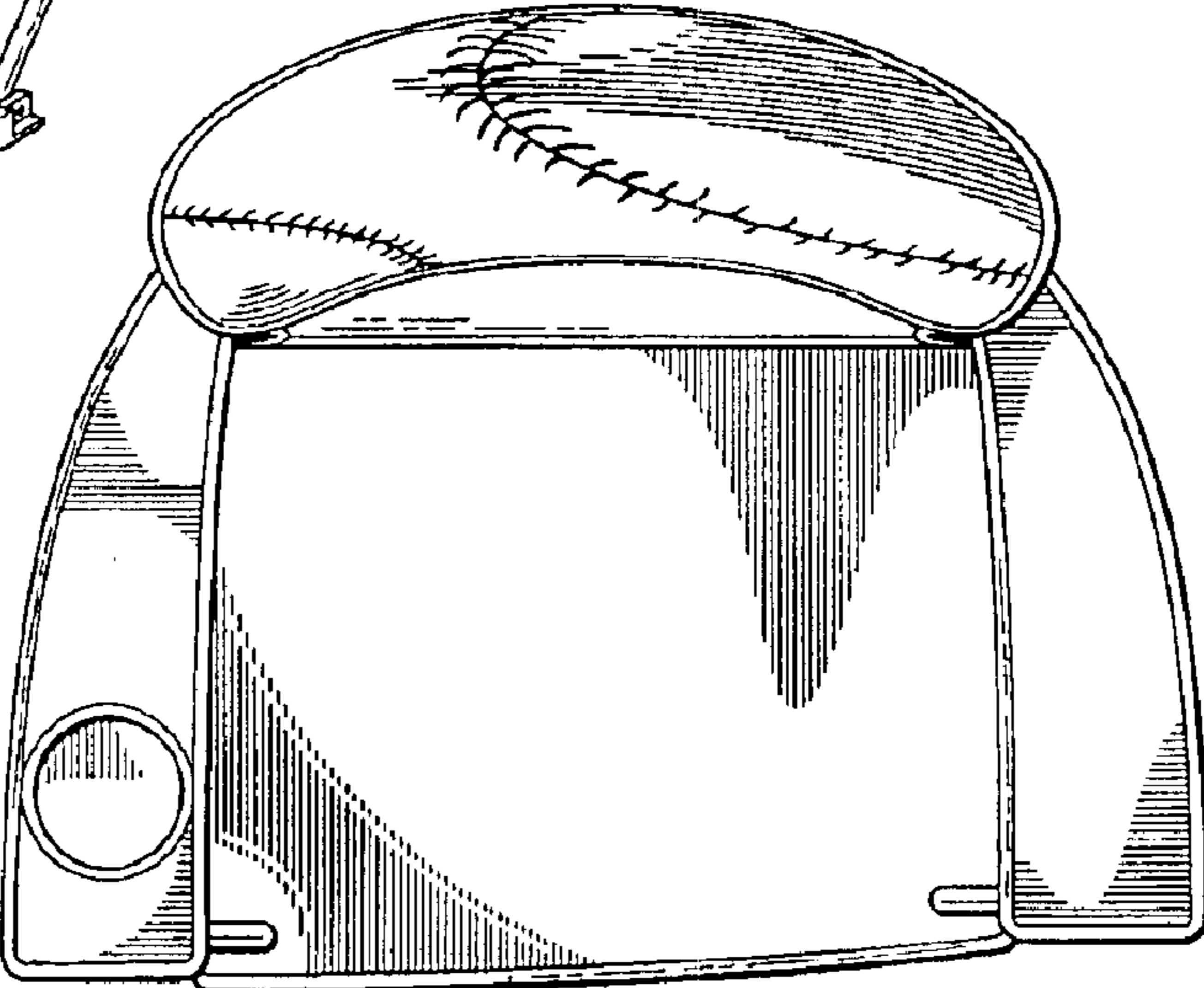


FIG. 3

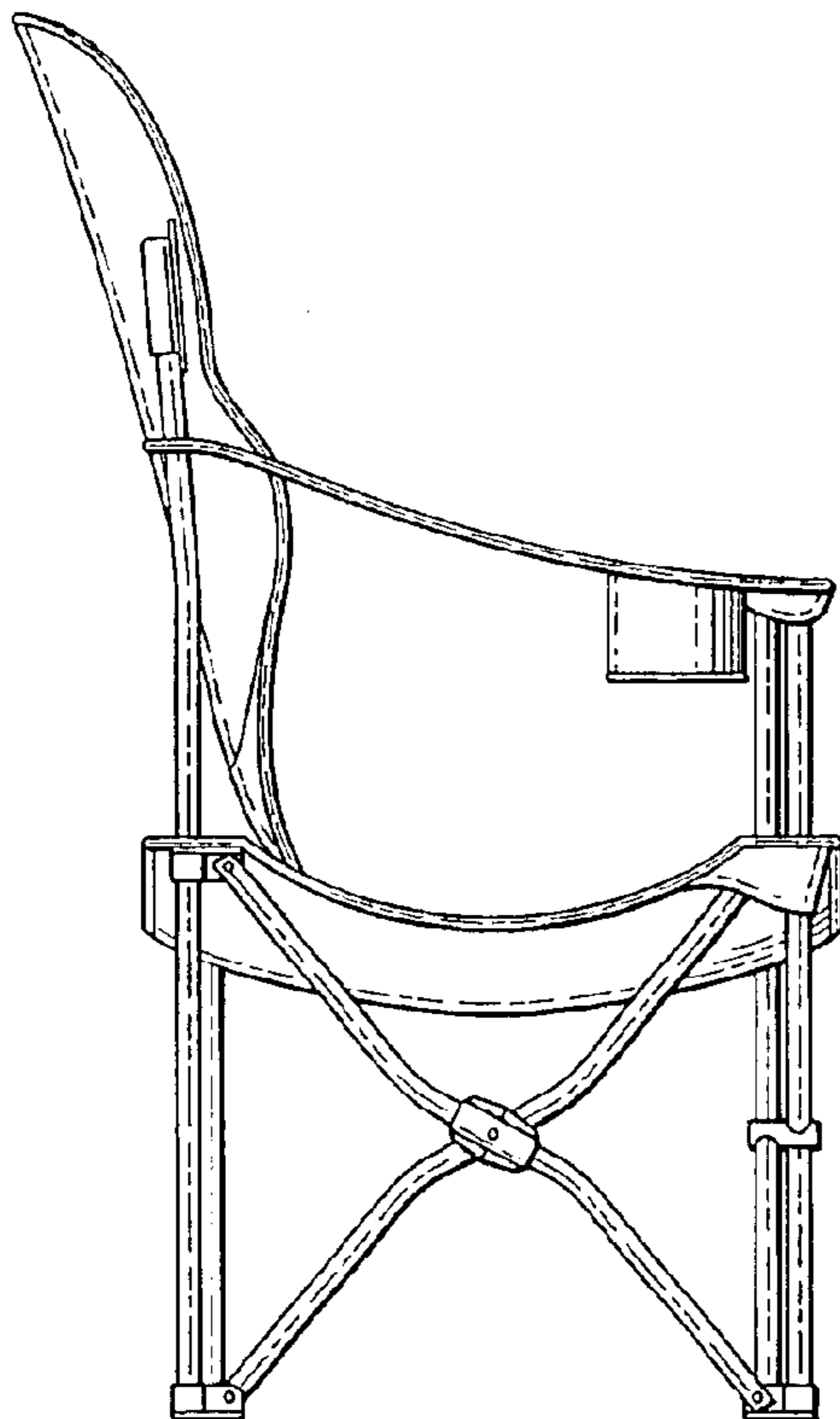
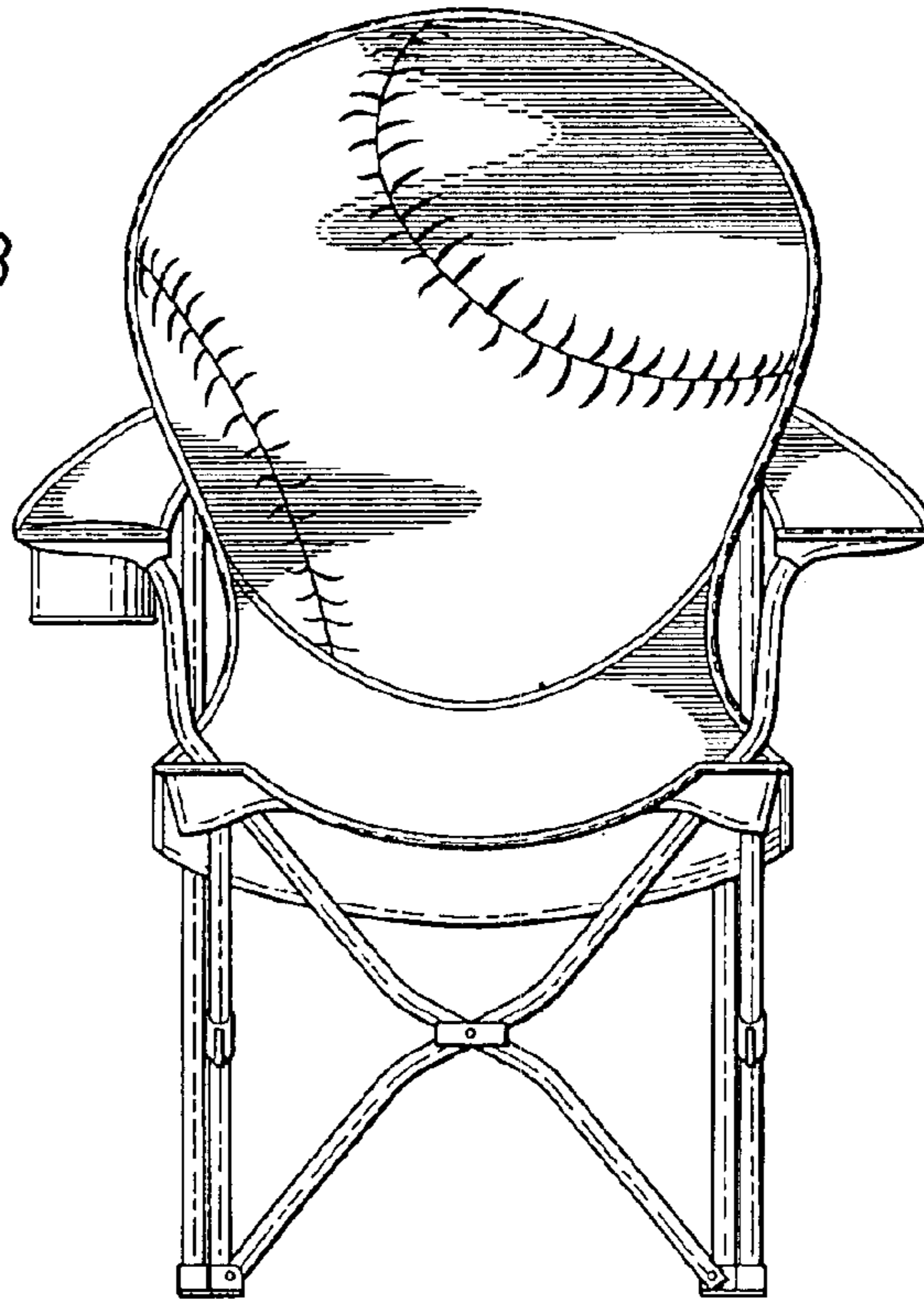


FIG. 4

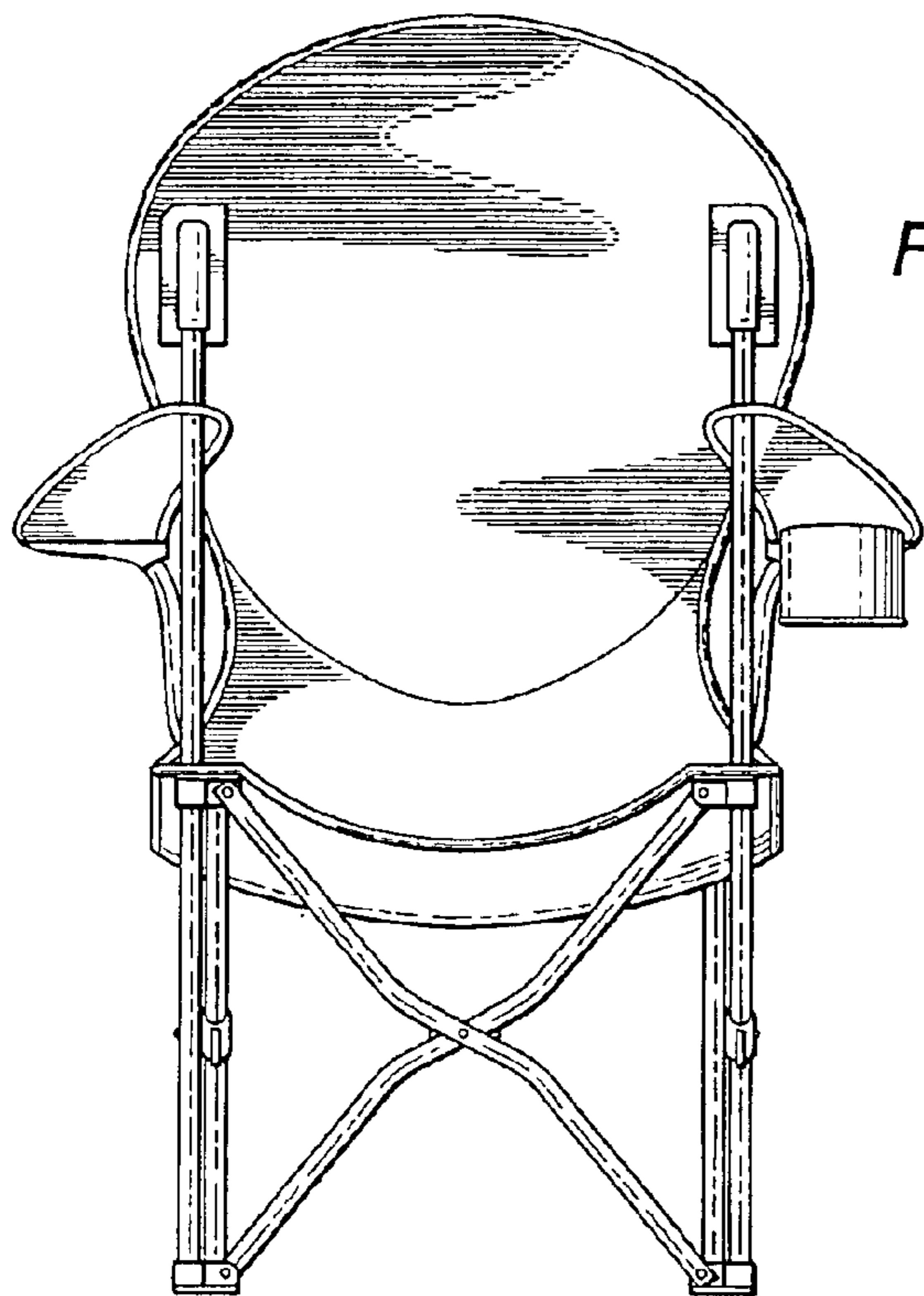


FIG. 5

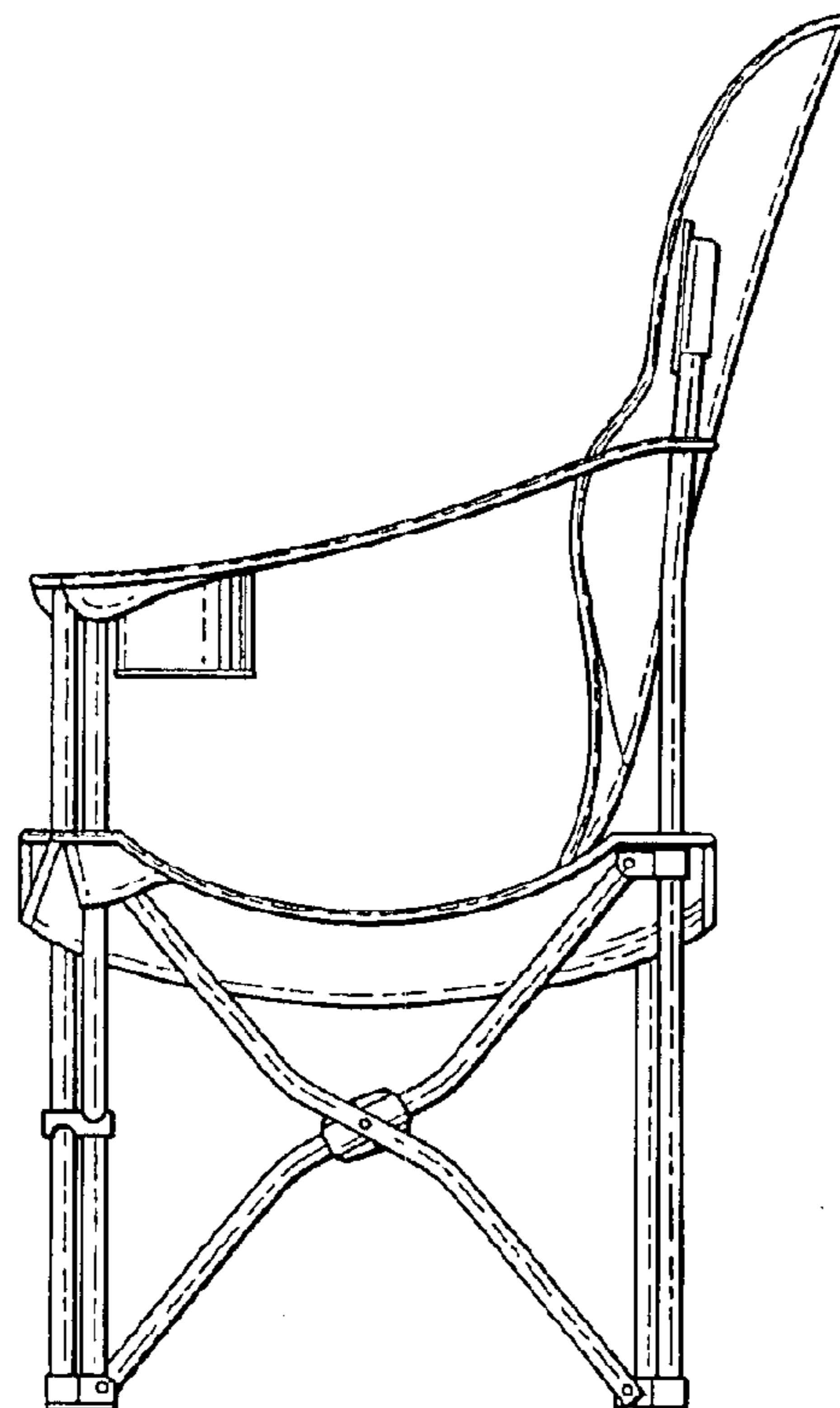
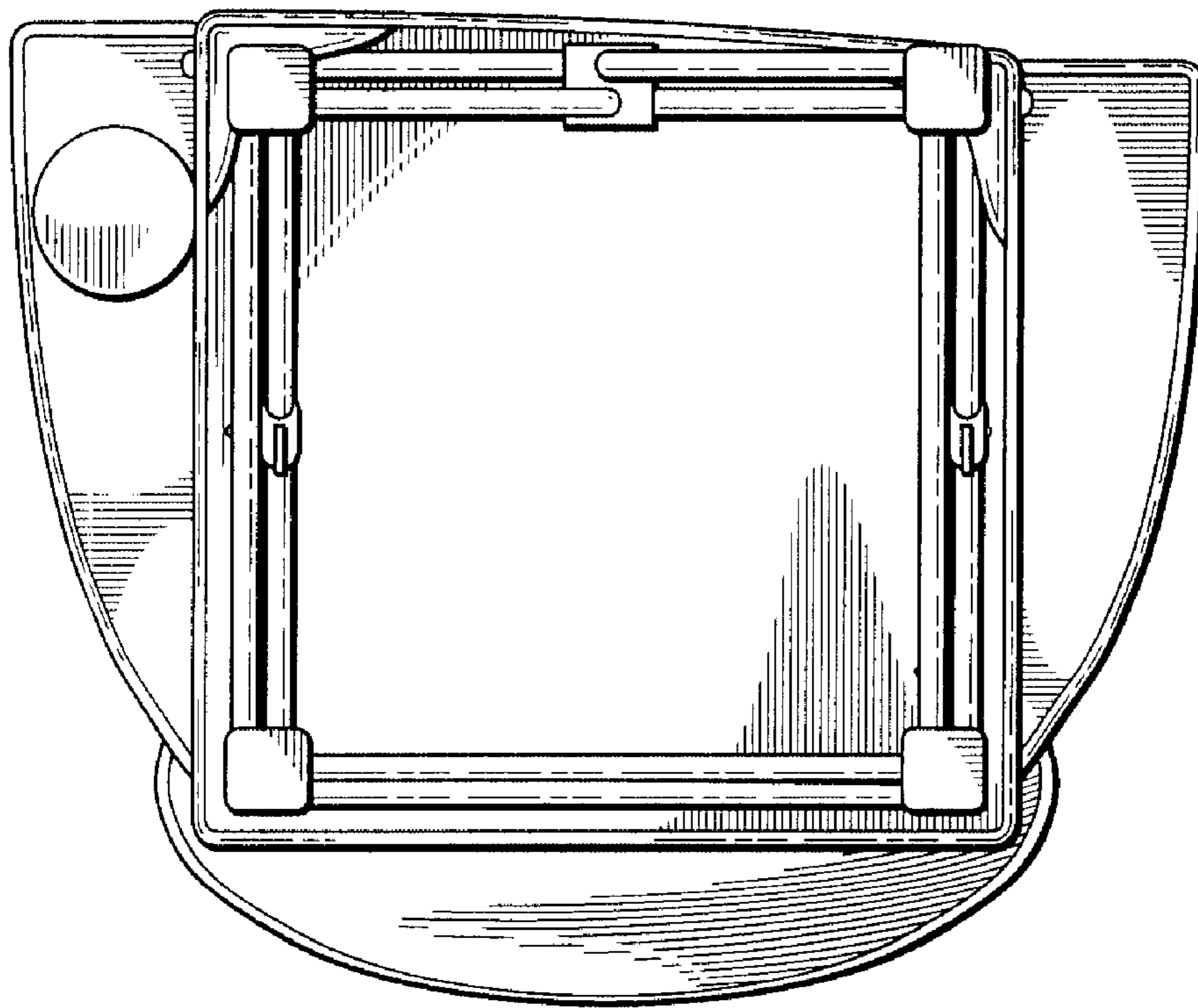


FIG. 6



*FIG. 7*