

US00D507890S

(12) **United States Design Patent** (10) **Patent No.:** **US D507,890 S**
Mills et al. (45) **Date of Patent:** **** *Aug. 2, 2005**

(54) **CHAIR AND DESK COMBINATION**

(75) Inventors: **Robert J. Mills**, Torrance, CA (US);
Peter Glass, Arroyo Grande, CA (US)

(73) Assignee: **Virco Mgmt. Corporation**, Torrance,
CA (US)

(*) Notice: This patent is subject to a terminal dis-
claimer.

(**) Term: **14 Years**

(21) Appl. No.: **29/193,745**

(22) Filed: **Nov. 12, 2003**

(51) **LOC (8) Cl.** **06-01**

(52) **U.S. Cl.** **D6/336**

(58) **Field of Search** D6/334–336, 338,
D6/341, 364–367, 371–376, 380, 420, 500–502,
510, 511; 297/144, 145, 160, 162, 170–173,
174 R, 183.1, 183.7, 446.2, 448.2, 451.3,
452.1, 452.12, 452.21, 452.29; 108/14,
25, 26, 38, 40; 312/330.1

(56) **References Cited**

U.S. PATENT DOCUMENTS

D101,639 S	10/1936	Larsen	
D111,953 S	11/1938	Bond, Jr.	
2,140,635 A	12/1938	Konarski	
D114,767 S	5/1939	Robb	
2,162,560 A	6/1939	Larsen	
D119,253 S	3/1940	Balleydier	
D123,202 S	10/1940	Levi	
2,287,614 A	6/1942	Hawkins	
D148,956 S	3/1948	Rhodes	
2,459,257 A	1/1949	Wood	
D156,695 S	* 1/1950	Brafman D6/338
D159,975 S	9/1950	Gilkison	

(Continued)

FOREIGN PATENT DOCUMENTS

WO WO 2004/064575 8/2004

OTHER PUBLICATIONS

Virco 2003 General Catalog, cover page, pp. 54, 60, 61, 64,
65, 67, back page.

American Desk Classroom Furniture Catalog, cover page,
pp. 6, 16, 18, back page, undated.

Artco–Bell Classroom Furniture Product Library 2001,
cover page, pp. 7–9, 12, 13, back page.

Capitol Seating Company “Premium Quality Classroom
Furniture” 2/91, cover page, Series 900, Series 800, Series
950, Series 940.

Scholar Craft, School Furniture Catalog, cover page, 10–20,
back page undated.

Royal Seating Corporation Educational and Computer Fur-
niture, cover page, pp. 16, 17, 20, undated.

(Continued)

Primary Examiner—Mimosa De

(74) *Attorney, Agent, or Firm*—Denton L. Anderson;
Sheldon & Mak; Robert M. Hupe

(57) **CLAIM**

The ornamental design for a chair and desk combination, as
shown and described.

DESCRIPTION

FIG. 1 is a first perspective view of a chair and desk
combination of the invention;

FIG. 2 is a top view of the chair and desk combination
illustrated in FIG. 1;

FIG. 3 is a front view of the chair and desk combination
illustrated in FIG. 1;

FIG. 4 is a rear view of the chair and desk combination
illustrated in FIG. 1;

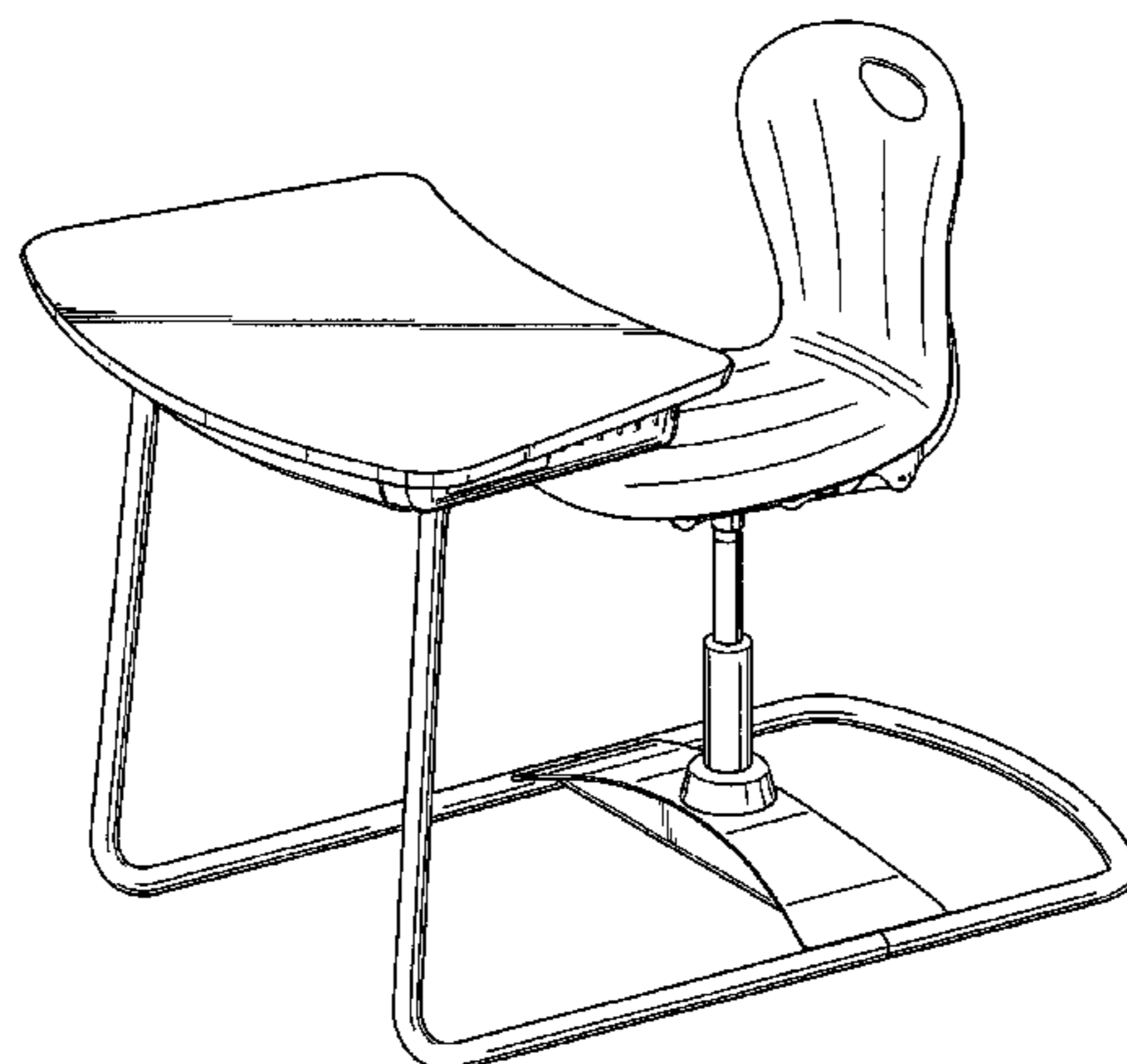
FIG. 5 is a first side view of the chair and desk combination
illustrated in FIG. 1;

FIG. 6 is a second side view of the chair and desk combi-
nation illustrated in FIG. 1;

FIG. 7 is a bottom view of the chair and desk combination
illustrated in FIG. 1; and,

FIG. 8 is a second perspective view of the chair and desk
combination illustrated in FIG. 1.

1 Claim, 8 Drawing Sheets



U.S. PATENT DOCUMENTS

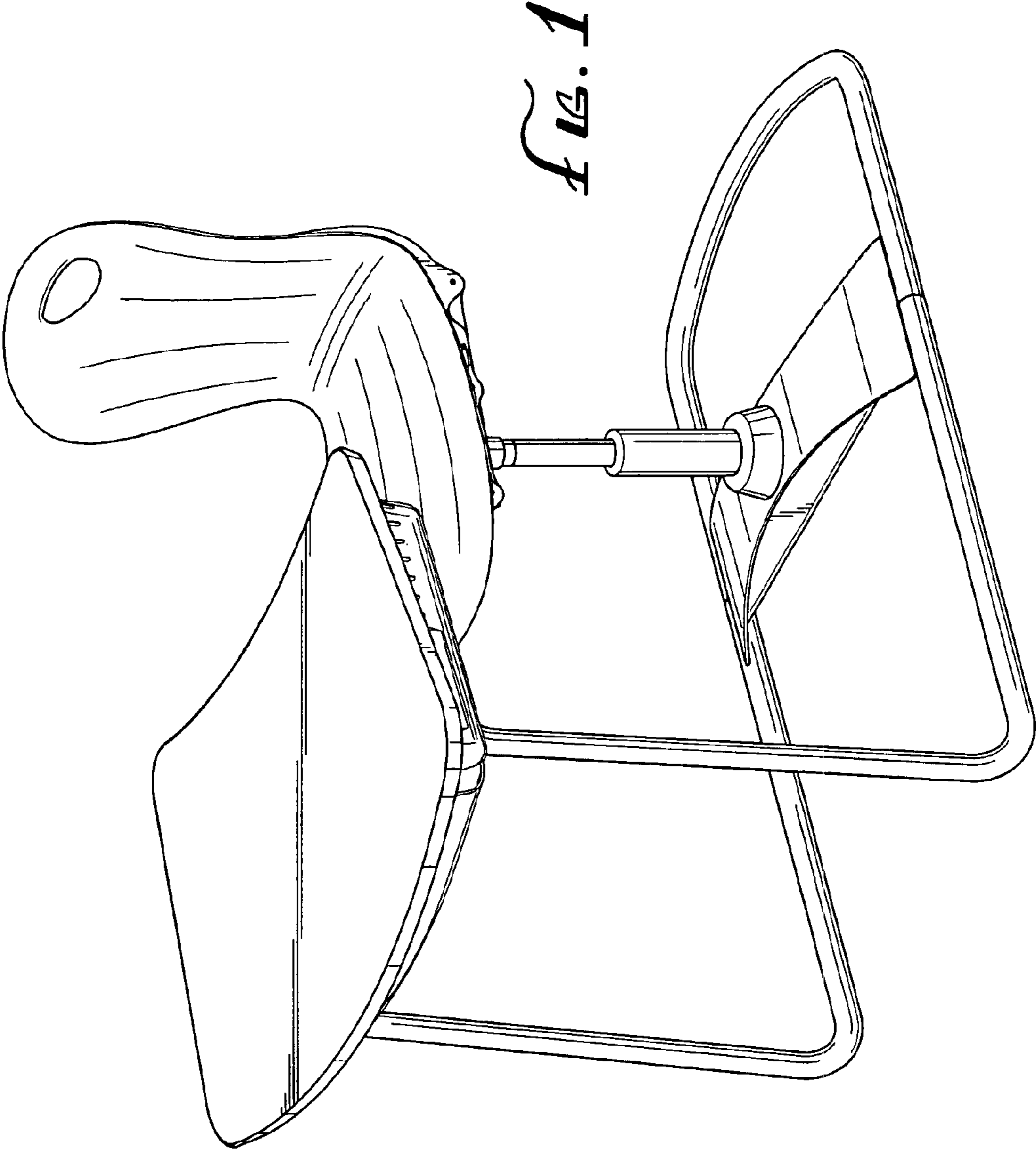
D159,992 S 9/1950 Kump, Jr.
 D163,170 S 5/1951 Eibetz
 D164,099 S 7/1951 Choate
 2,579,606 A * 12/1951 Oom et al. 297/170
 D165,733 S 1/1952 Bargaen
 D168,659 S * 1/1953 Silverman D6/420
 D169,012 S 3/1953 Musacco
 2,632,496 A 3/1953 Willis et al.
 D169,932 S * 6/1953 Chapman et al. D6/341
 D170,005 S * 7/1953 Chapman et al. D6/341
 2,661,049 A * 12/1953 Sebel 297/172
 2,669,288 A * 2/1954 Bargaen 297/452.12
 2,676,646 A 4/1954 Brashear, Jr.
 2,716,440 A * 8/1955 Silverman 297/172
 D176,881 S 2/1956 Phillips
 2,745,468 A * 5/1956 Kramer 297/452.12
 D178,989 S 10/1956 Eilert
 D186,322 S * 10/1959 Carlson D6/341
 D190,570 S 6/1961 Pfau
 D202,549 S * 10/1965 Kramer D6/375
 D202,550 S * 10/1965 Kramer D6/375
 D207,262 S 3/1967 Maurer et al.
 3,632,162 A * 1/1972 Trethaway 297/452.12
 D226,066 S * 1/1973 Barecki D6/338
 D239,793 S 5/1976 Jones
 D252,144 S * 6/1979 Carmean D6/510
 D274,967 S * 8/1984 Taylor D6/510

D283,563 S * 4/1986 Arroyo D6/338
 D318,961 S * 8/1991 Edelson D6/510
 5,131,718 A * 7/1992 Cooper 297/452.1
 D348,569 S * 7/1994 Haussmann D6/338
 D354,187 S * 1/1995 Daukus et al. D6/511
 5,626,394 A 5/1997 Perry
 6,039,392 A 3/2000 Dencker
 D475,207 S * 6/2003 Bosman et al. D6/338
 D477,921 S 8/2003 Bosman et al.

OTHER PUBLICATIONS

cdf School Furniture, Series 5000 combination chair/desk;
 Series 9000 tablet arm chair, undated.
 KI, Ivy League School Furniture Catalog, cover pages (2),
 Combination Study Top Chair/Desk Series 66; Combination
 Study Top Chair/Desk Series 61; Double Entry Blend Sled
 Base Desk, Series 58; Combination Study Top Chair/Desk,
 Series 56, undated.
 Artco-Bell Corporation Catalog, Furniture to Enhance Edu-
 cation, cover page, pp. 6, 7, 12, 13, 17, undated.
 National School Lines Catalog, cover page, pp. 1, 5, 6,
 undated.
 Design Council "Furniture for the Future New ideas for
 tomorrow's classroom", front cover, pp. 14 and 15, back page
 Mar. 2003.

* cited by examiner



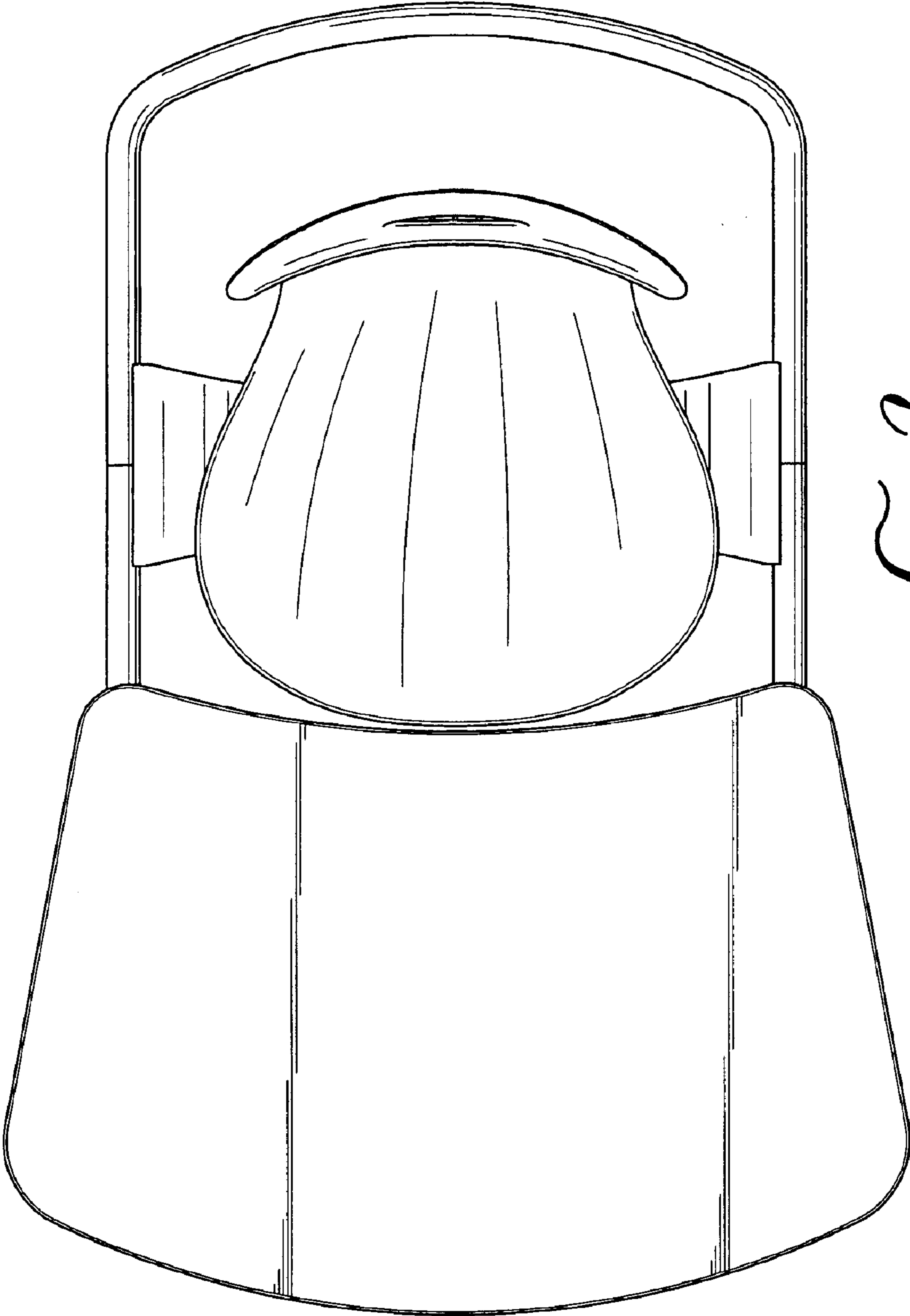


FIG. 2

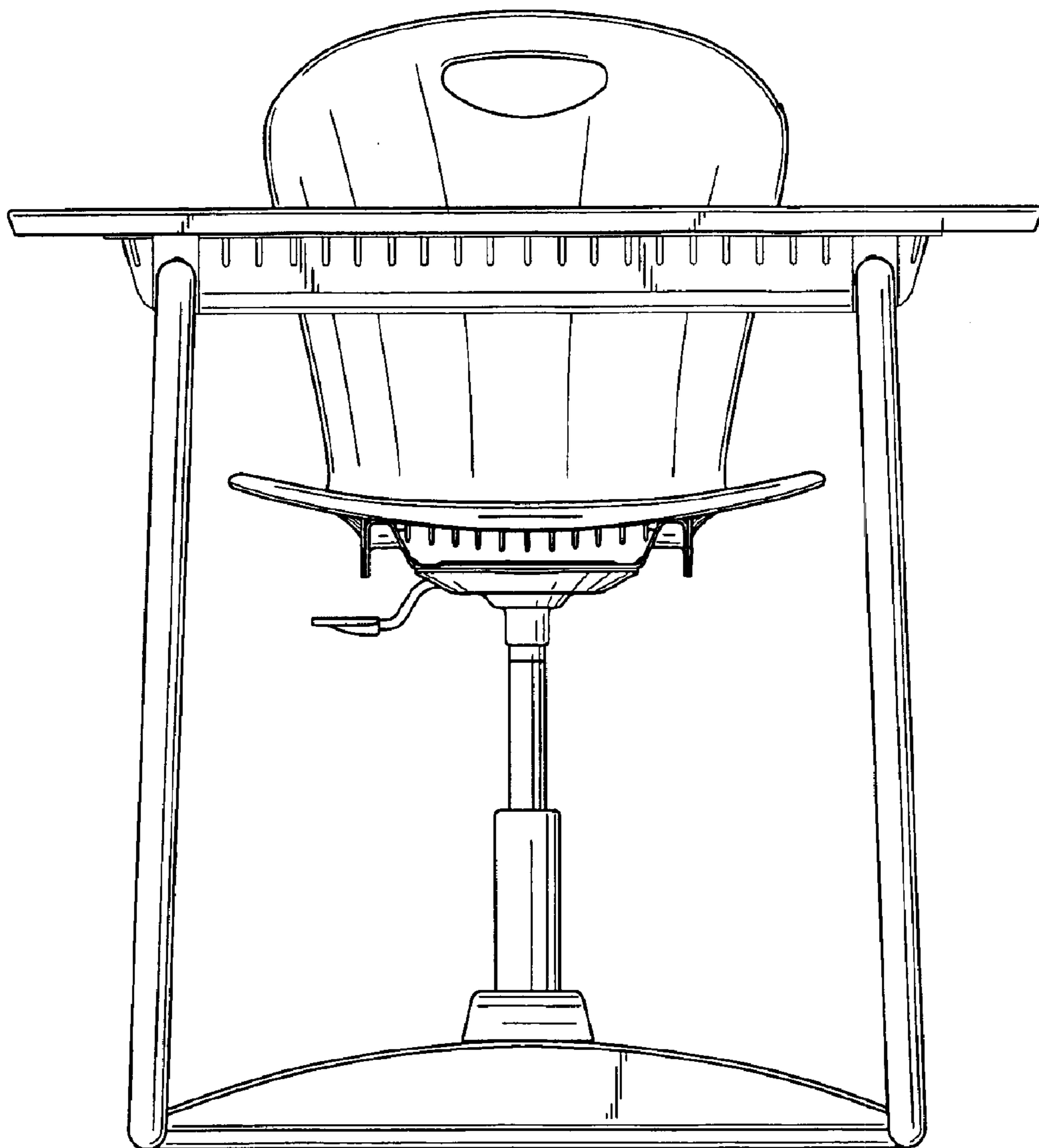


FIG. 3

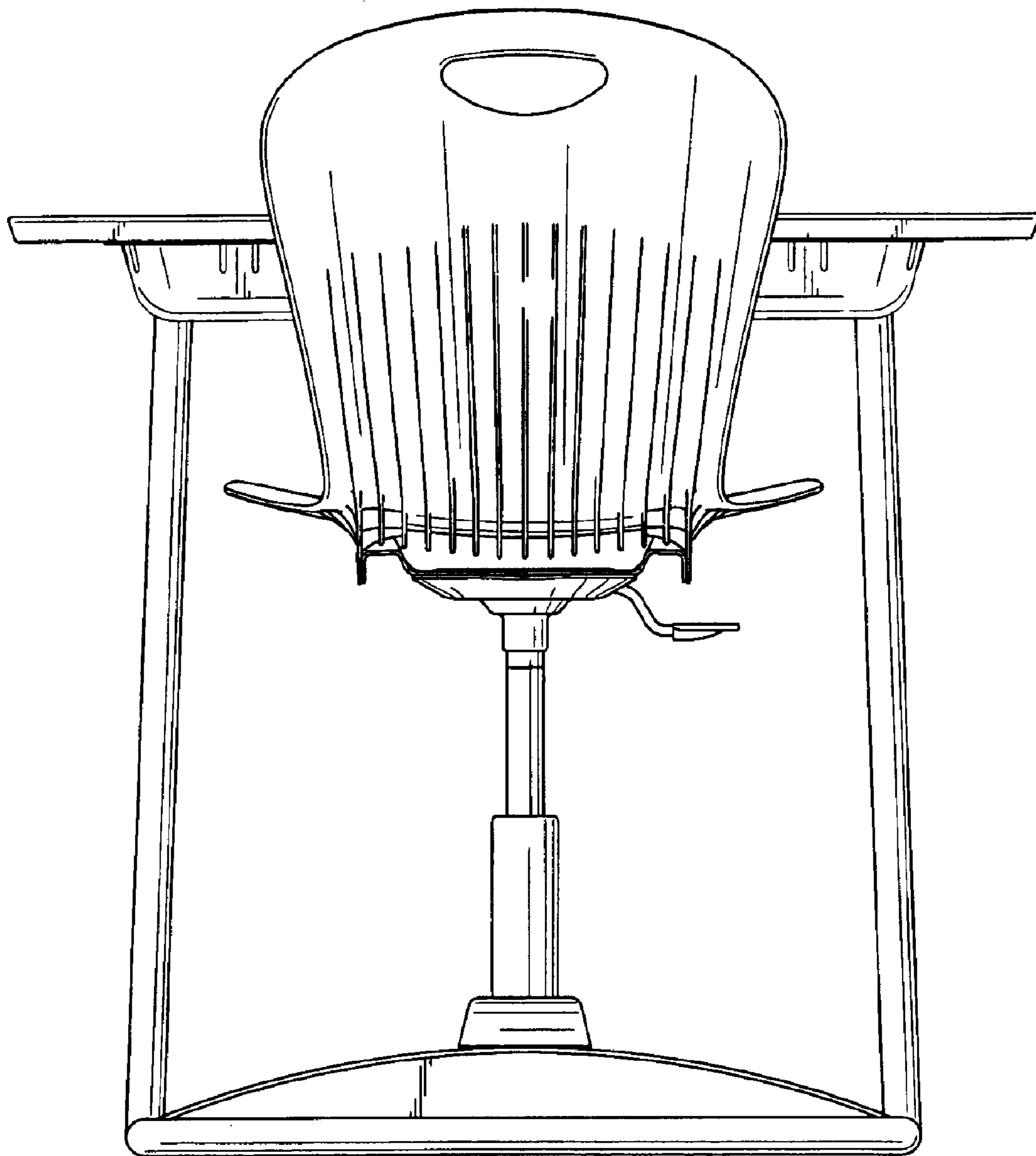


FIG. 4

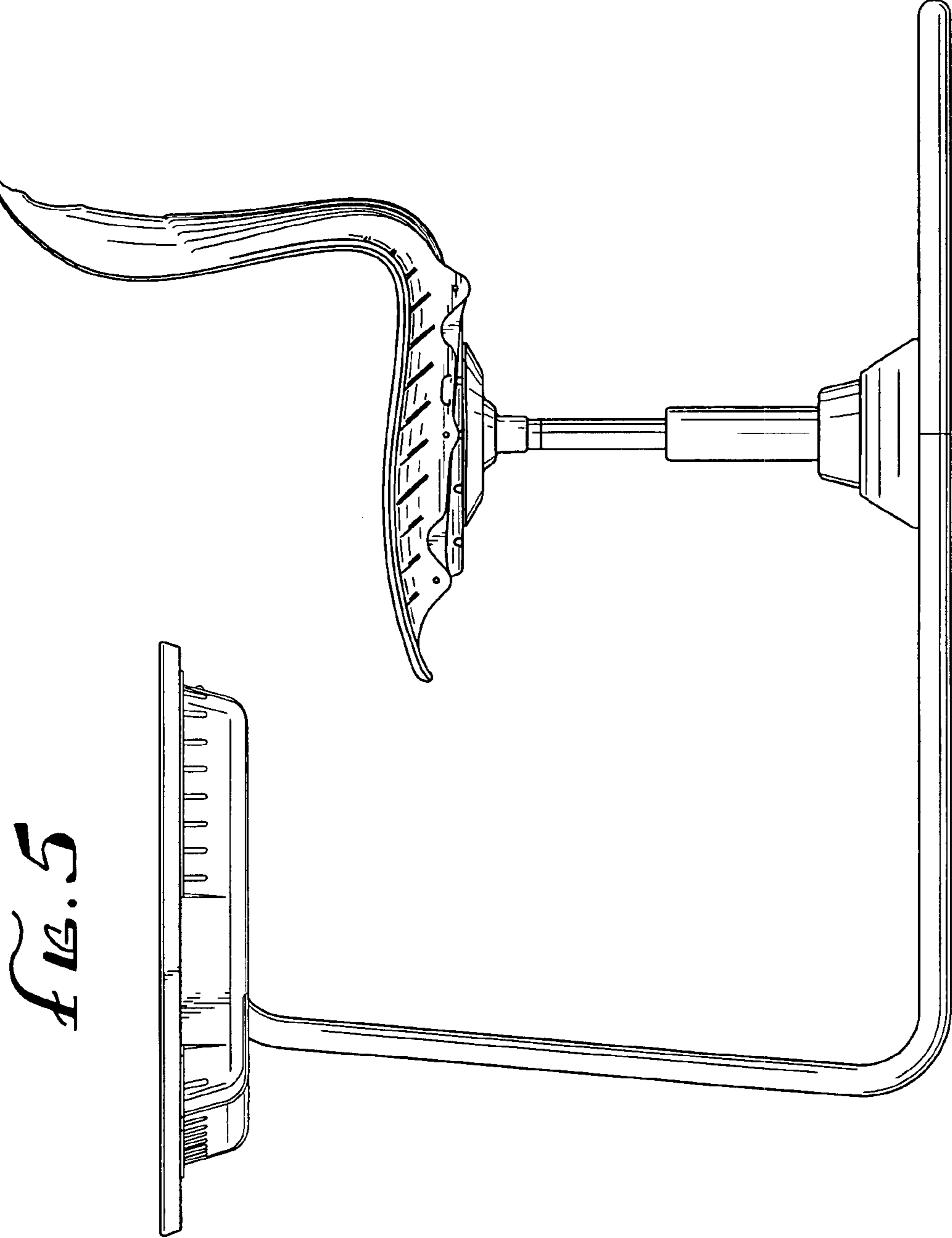
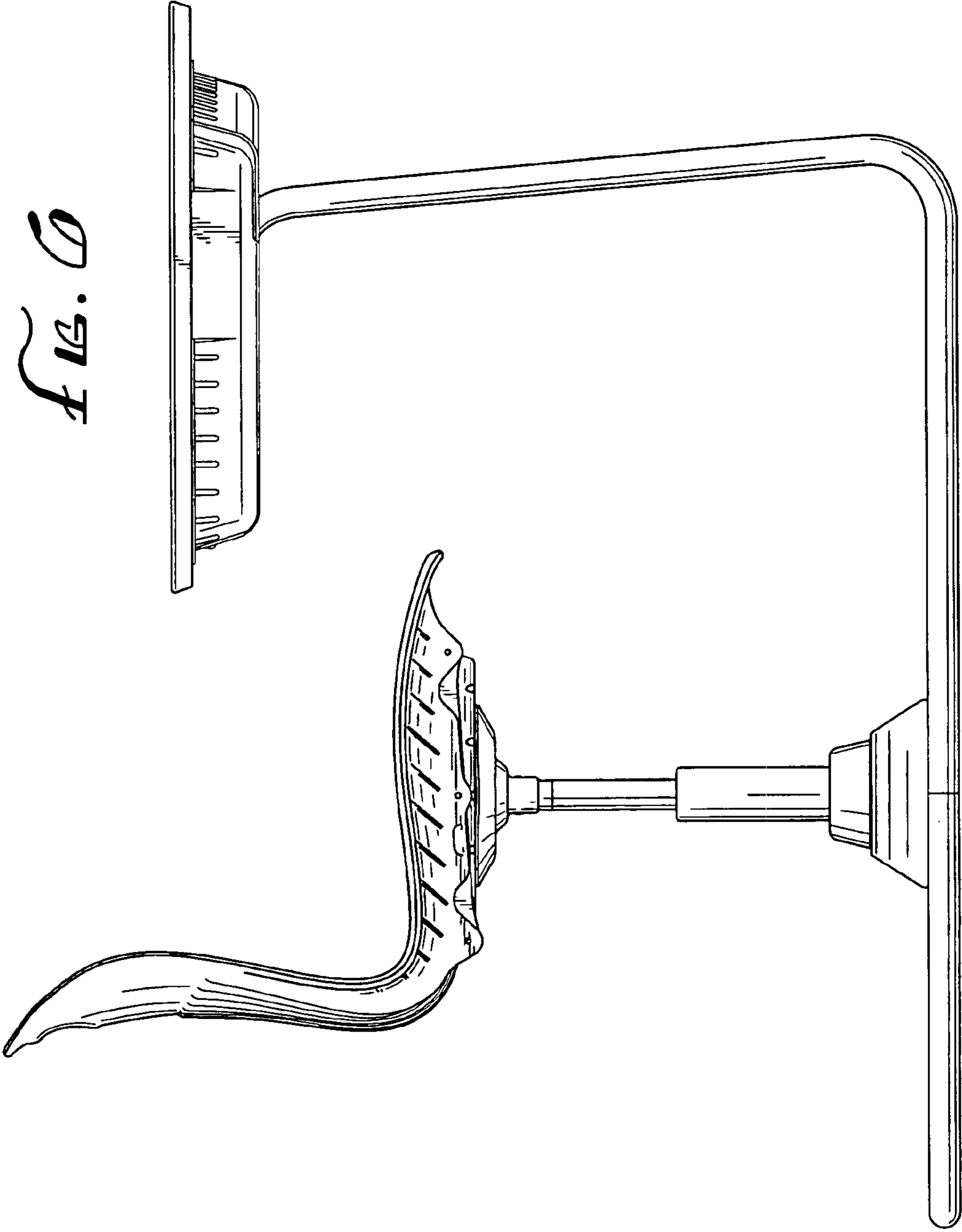


FIG. 5



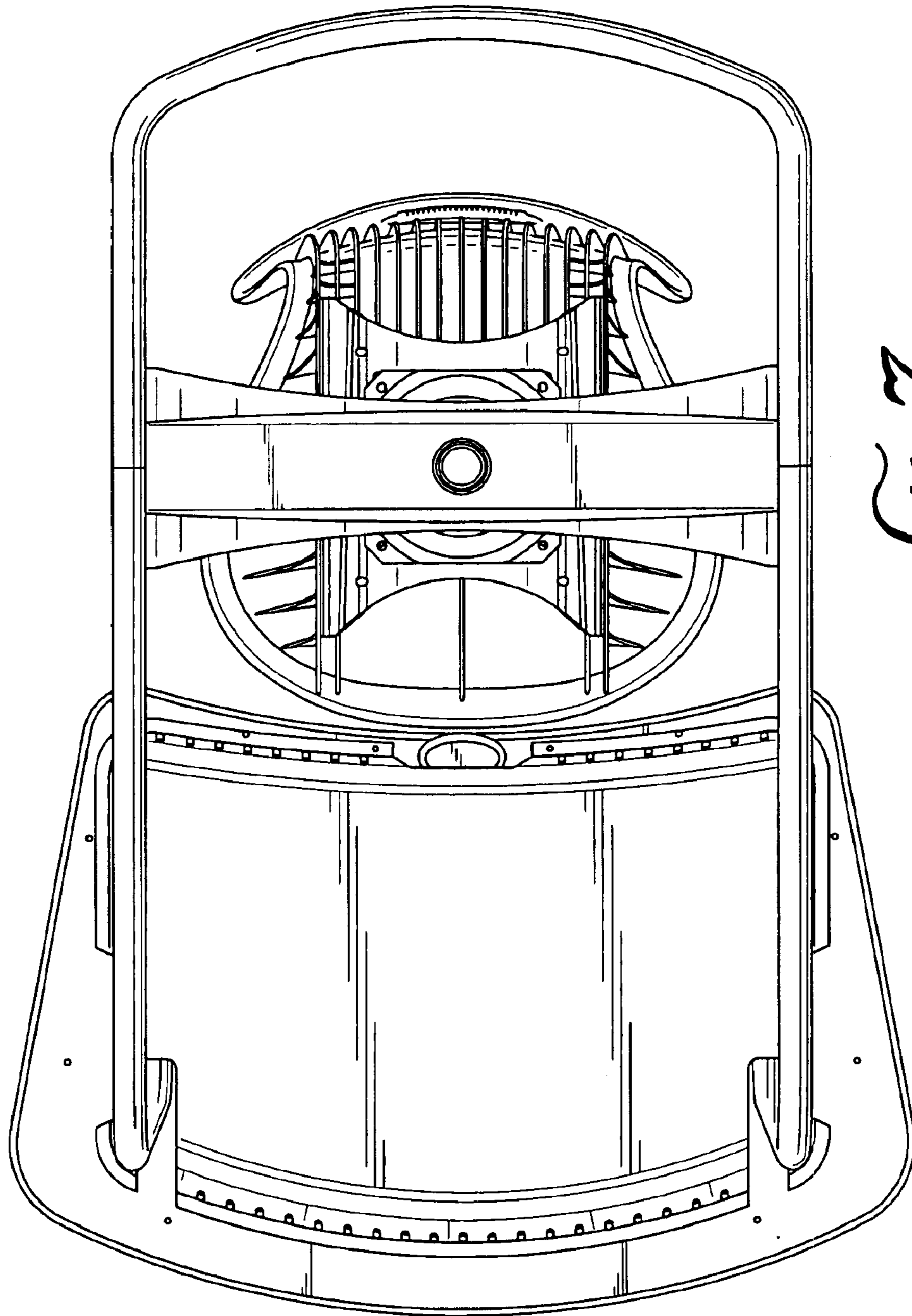


FIG. 7

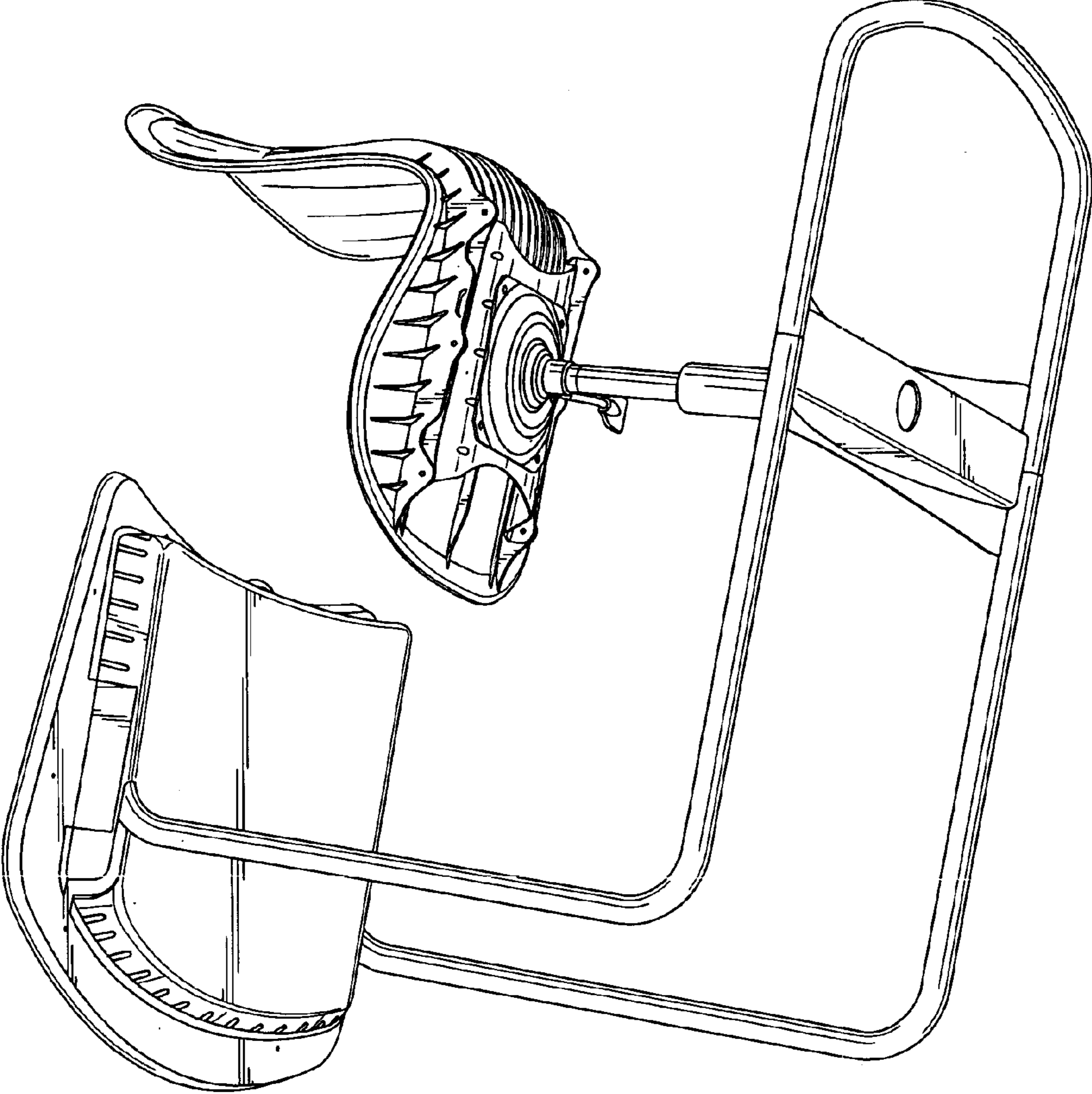


Fig. 8