



US00D507882S

(12) **United States Design Patent** (10) **Patent No.:** **US D507,882 S**
Gonzalez (45) **Date of Patent:** **** Aug. 2, 2005**

(54) **HANDBAG CLOSURE FLAP (TULITA)**

(75) Inventor: **Alvaro Gonzalez**, Florence (IT)

(73) Assignee: **J. Choo (Jersey) Limited**, St. Helier (GB)

(**) Term: **14 Years**

(21) Appl. No.: **29/206,092**

(22) Filed: **May 26, 2004**

(30) **Foreign Application Priority Data**

Nov. 27, 2003	(EM)	109384-06
Nov. 27, 2003	(EM)	109384-01
Nov. 27, 2003	(EM)	109384-13
Nov. 27, 2003	(EM)	109384-20

(51) **LOC (8) Cl.** **03-99**

(52) **U.S. Cl.** **D3/326**

(58) **Field of Search** D3/326, 225, 230, D3/232, 242, 243, 290, 299, 318, 321, 323, 324; 224/659; D8/330, 331, 339; 150/100, 114, 118, 119, 123, 143, 152; 190/113, 119, 120, 121, 100; D12/409; 70/2

(56) **References Cited**

U.S. PATENT DOCUMENTS

70,907	A	11/1867	Sims	
276,961	A	5/1883	de Quillfeldt	
847,295	A	* 3/1907	Randall	150/118
D39,619	S	10/1908	Merzbach	
D74,480	S	2/1928	Cowen	
1,832,900	A	* 11/1931	Godfrey	150/109
1,841,154	A	* 1/1932	Rath	190/109
1,942,473	A	* 1/1934	Gardner, Jr.	150/142
D92,869	S	7/1934	Shwayder	
1,977,551	A	* 10/1934	Goerdes	150/123

(Continued)

OTHER PUBLICATIONS

- U.S. Appl. No. 29/194,589, Gonzalez.
- U.S. Appl. No. 29/194,676, Gonzalez.
- U.S. Appl. No. 29/194,691, Gonzalez.

Moulon of Beverly Hills, Replica of Jimmy Choo Handbag, May 24, 2004, <http://www.moulonofbeverlyhills.com/vivangoha1.html>.

Moulon of Beverly Hills, Jimmy Choo Replica Handbag, May 24, 2004, <http://www.moulonofbeverlyhills.com/rejichha2.html>.

* cited by examiner

Primary Examiner—Antoine Duval Davis

Assistant Examiner—Sandra Snapp

(74) *Attorney, Agent, or Firm*—Lawrence E. Apolzon, Esq.; David I. Greenbaum, Esq.; Fross Zelnick Lehrman & Zissu, P.C.

(57) **CLAIM**

The ornamental design for a handbag closure flap (tulita), as shown and described.

DESCRIPTION

FIG. 1 is a perspective view of a handbag showing my handbag closure flap design;

FIG. 2 is a front view of the handbag shown in FIG. 1;

FIG. 3 is a front view of an alternative embodiment of the handbag shown in FIG. 1;

FIG. 4 is a perspective view of an alternative embodiment of the handbag shown in FIG. 1;

FIG. 5 is a front view of the handbag shown in FIG. 4;

FIG. 6 is a front view of another alternative embodiment of the handbag shown in FIG. 1;

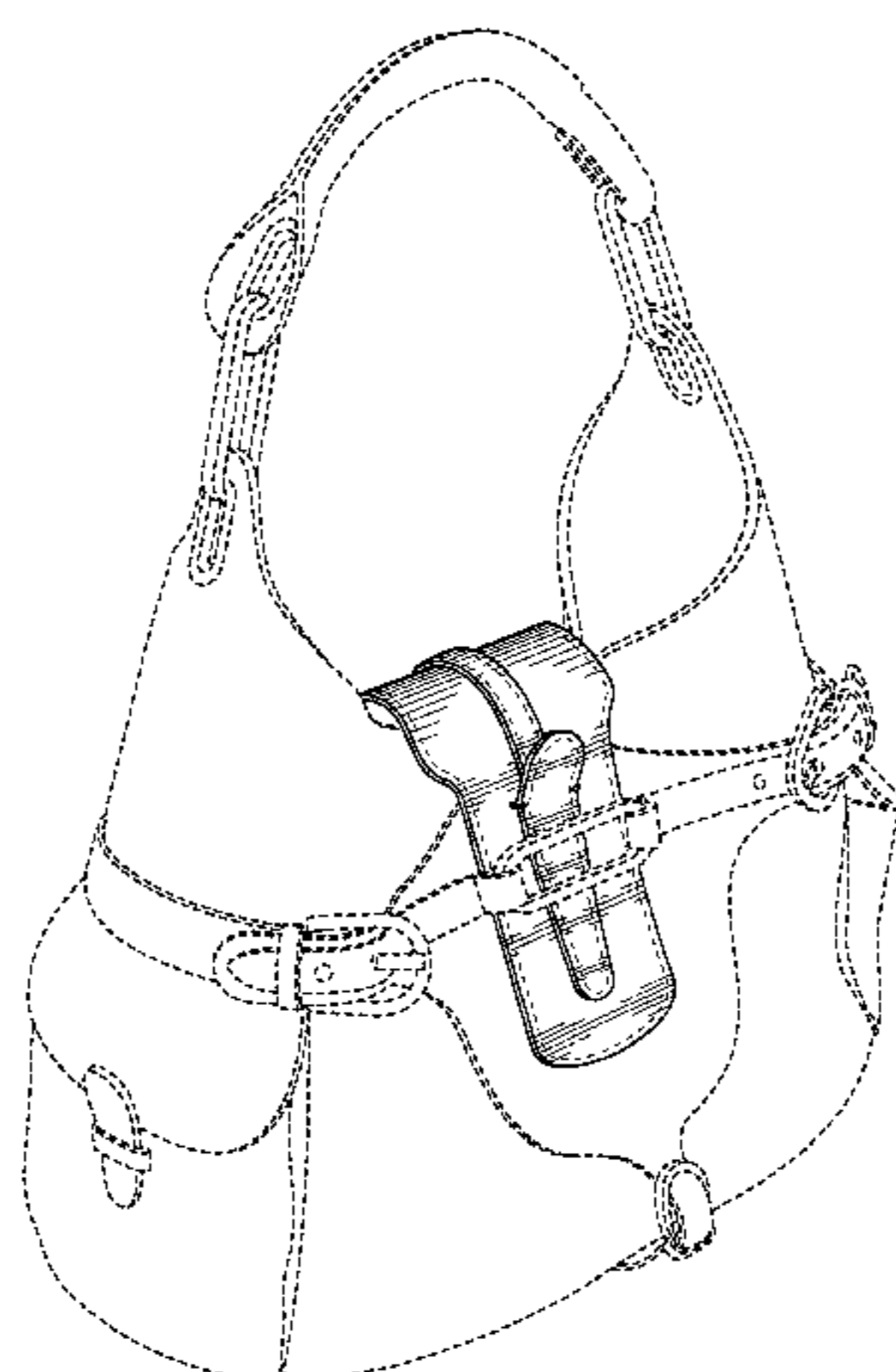
FIG. 7 is a perspective view of yet another alternative embodiment of the handbag shown in FIG. 1;

FIG. 8 is a front view of yet another alternative embodiment of the handbag shown in FIG. 7; and,

FIG. 9 is a front view of yet another alternative embodiment of the handbag shown in FIG. 1.

The broken line showing of the buckle, straps, pockets, stitching, and other broken line handbag features is for illustrative purposes only and forms no part of the claimed design.

1 Claim, 9 Drawing Sheets



US D507,882 S

Page 2

U.S. PATENT DOCUMENTS

2,154,826 A *	4/1939	Stember et al.	150/133	D250,794 S *	1/1979	Siegel	D3/243
D152,120 S	12/1948	Murphy		D269,564 S *	7/1983	Stark	D3/289
D154,119 S *	6/1949	Gumbrill	D3/243	D280,679 S *	9/1985	Schimmel	D3/243
D154,914 S *	8/1949	Feigl	D3/243	D302,766 S *	8/1989	Johnston	D3/233
2,608,228 A *	8/1952	Rose	150/112	4,993,526 A	2/1991	Morrison	
3,078,896 A	2/1963	Abrams		D326,016 S *	5/1992	Guaresi	D3/299
D213,745 S *	4/1969	D'Elia	D3/243	5,503,204 A *	4/1996	Byers et al.	150/105
D228,099 S *	8/1973	Marshall	D3/290	D413,724 S *	9/1999	Freedman	D3/243
D240,090 S	5/1976	Siegel		D418,976 S *	1/2000	du Sartel	D3/243
3,955,609 A	5/1976	Siegel		D471,707 S	3/2003	Galliano	
D246,680 S	12/1977	Sabol		D472,046 S	3/2003	Galliano	
D247,262 S *	2/1978	Tweedie	D3/243	D472,374 S	4/2003	Galliano	
D250,087 S *	10/1978	Stark	D8/346	D500,593 S *	1/2005	Stulman	D3/243

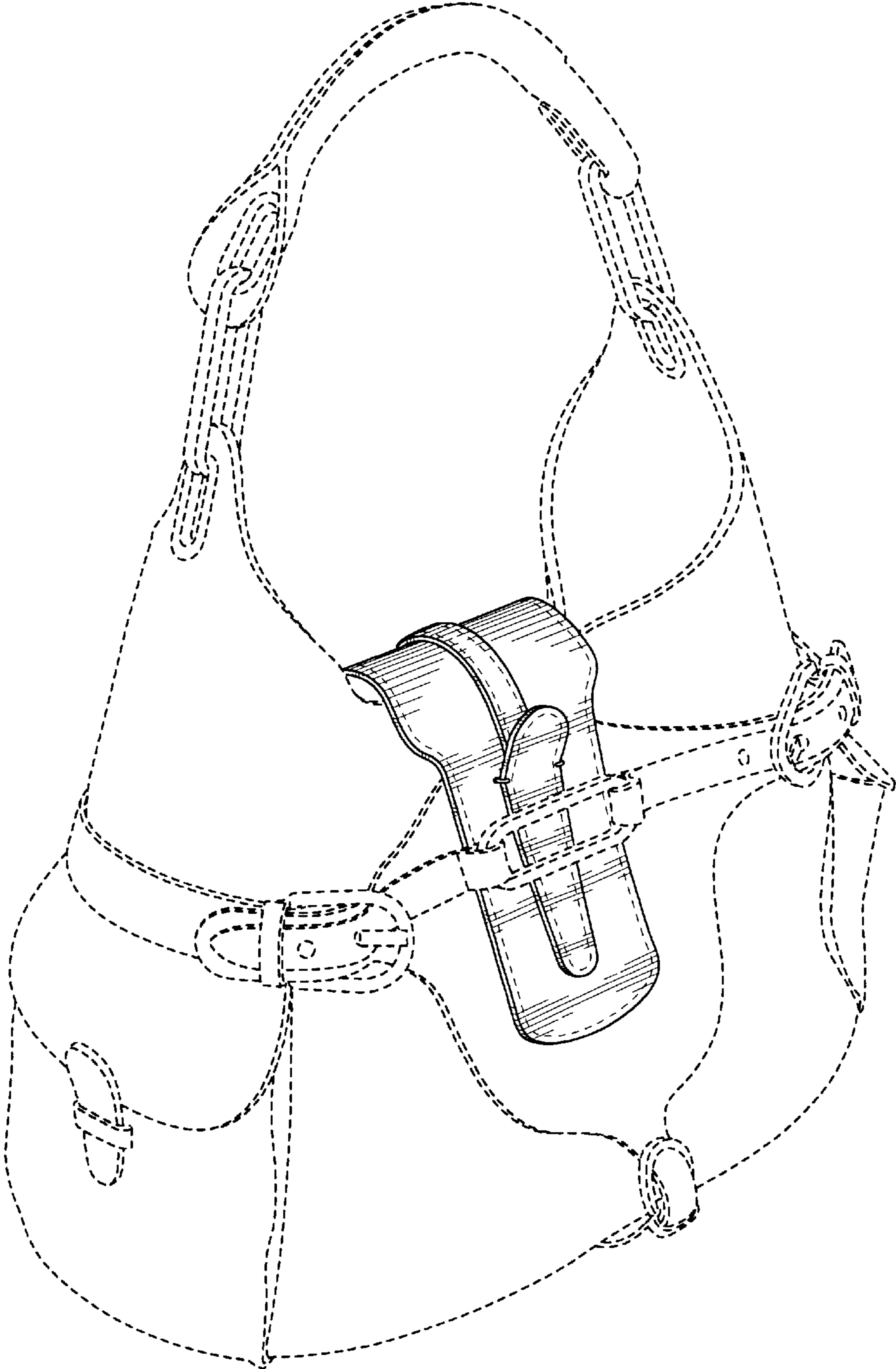


FIG. 1

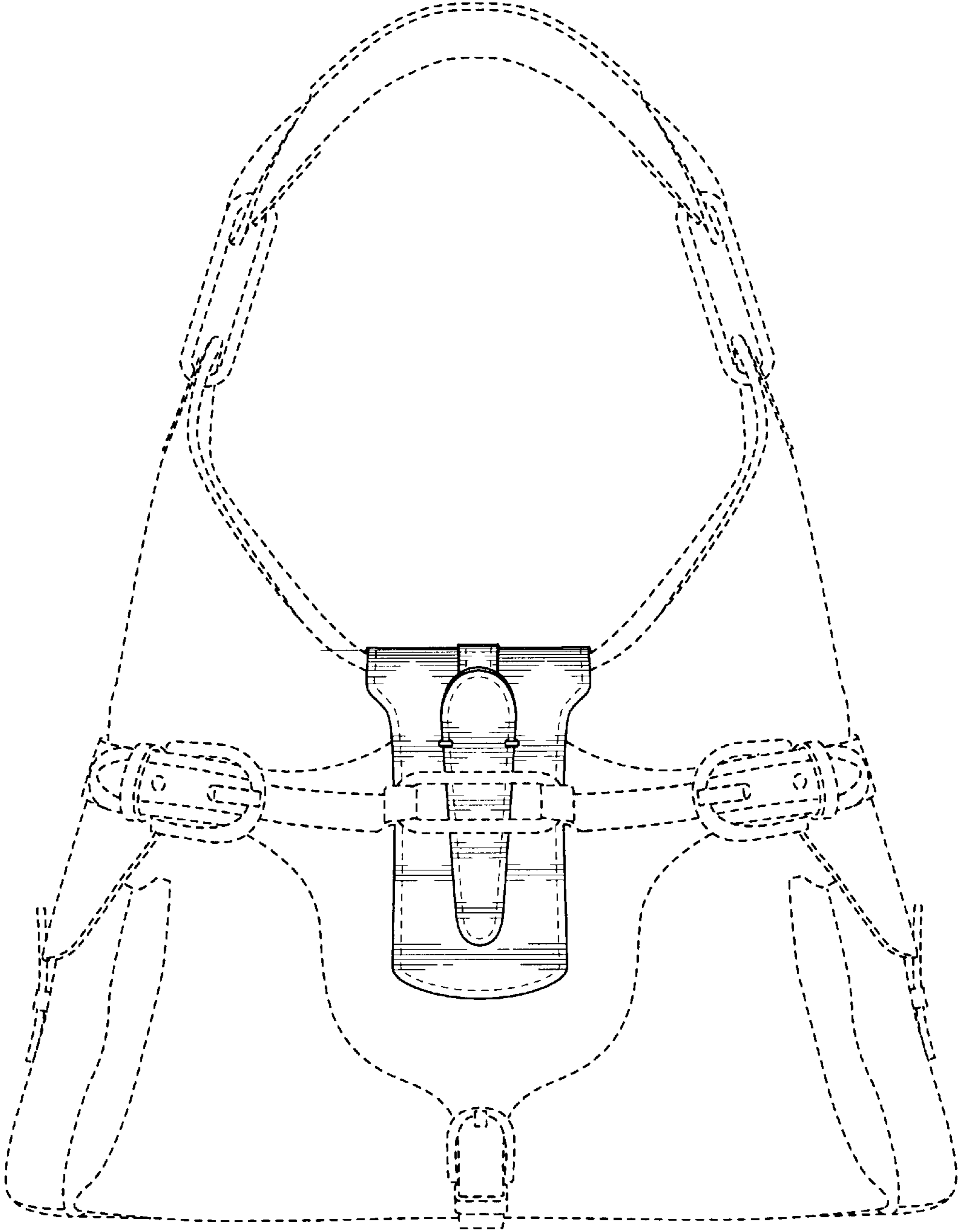


FIG. 2

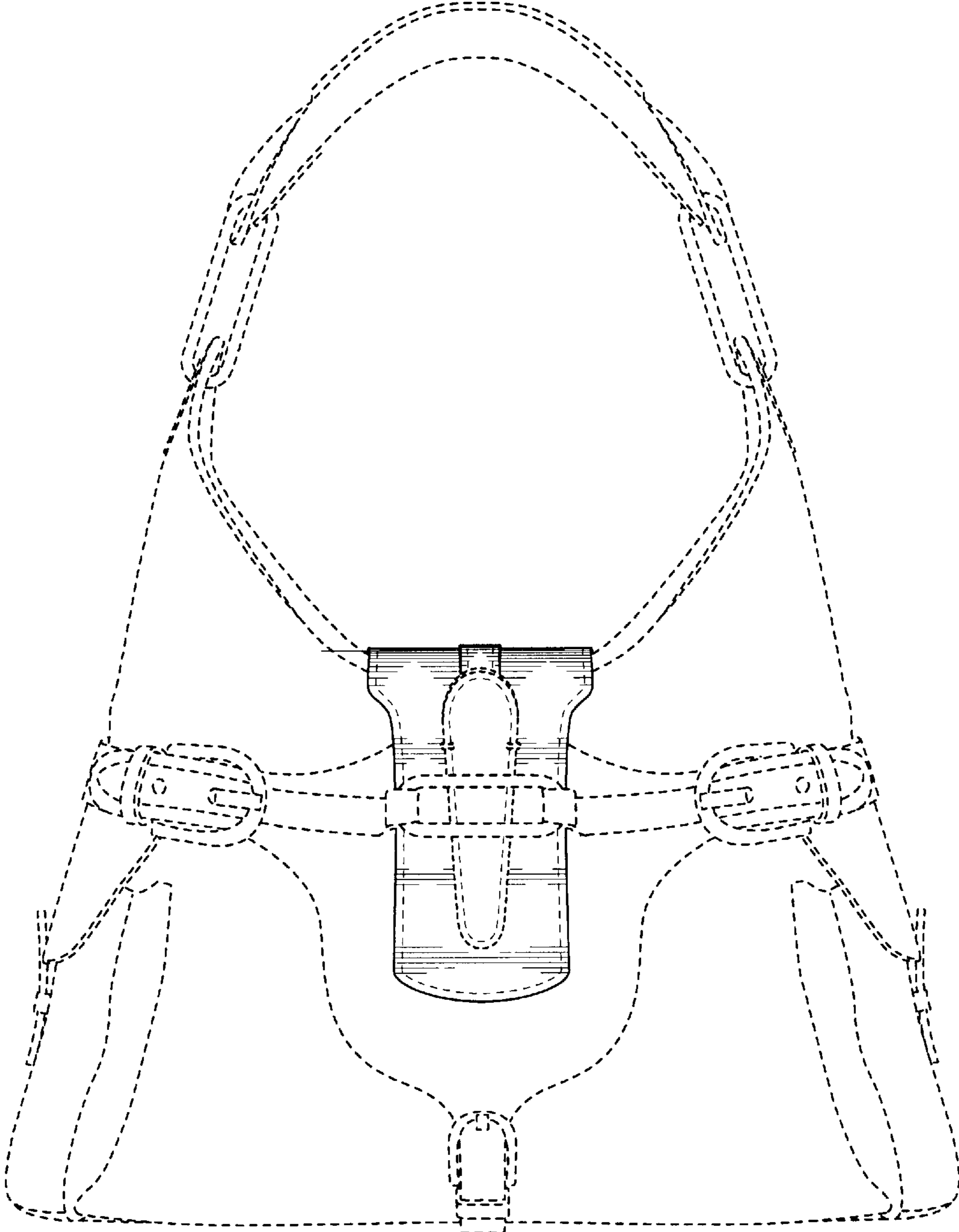


FIG. 3

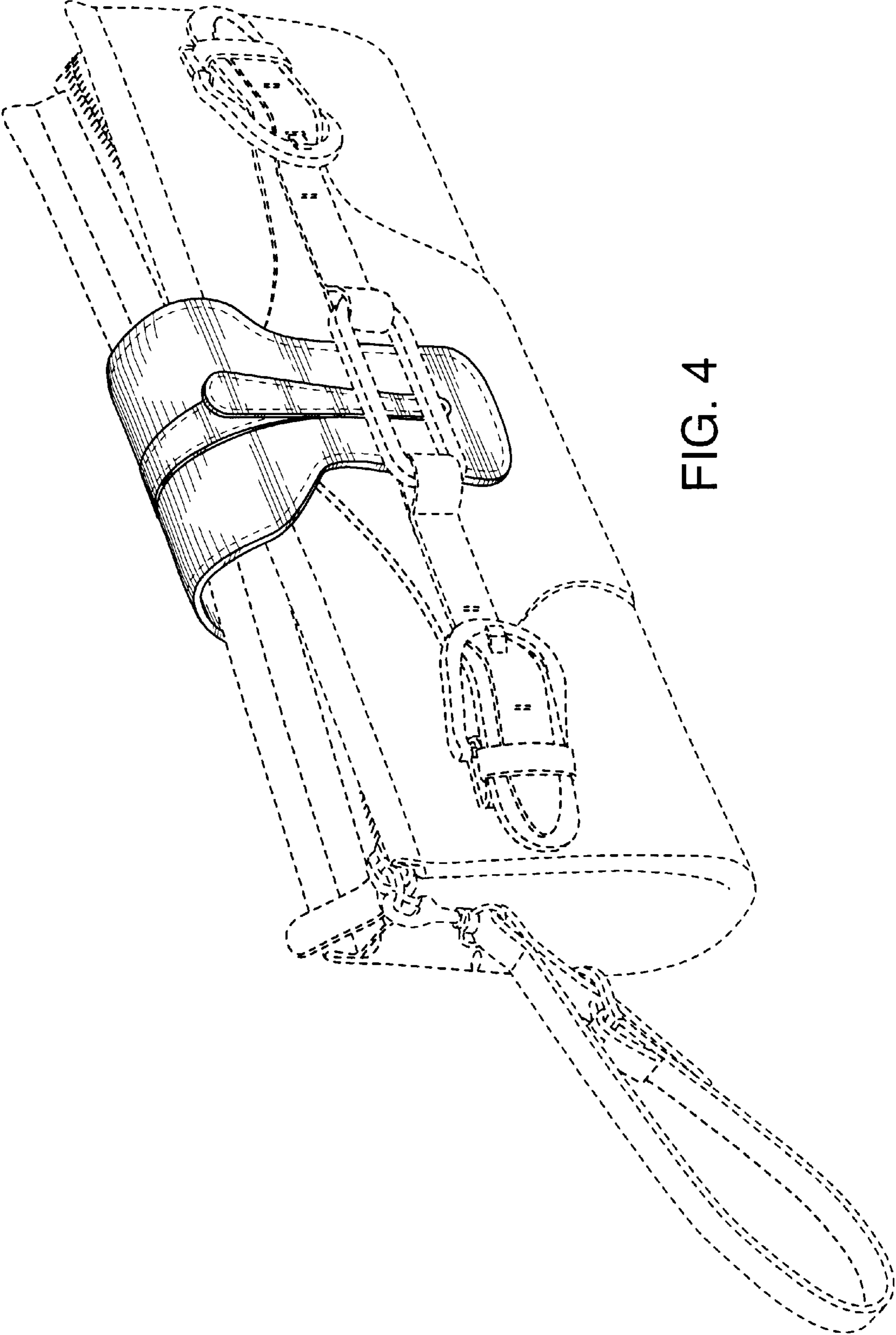


FIG. 4

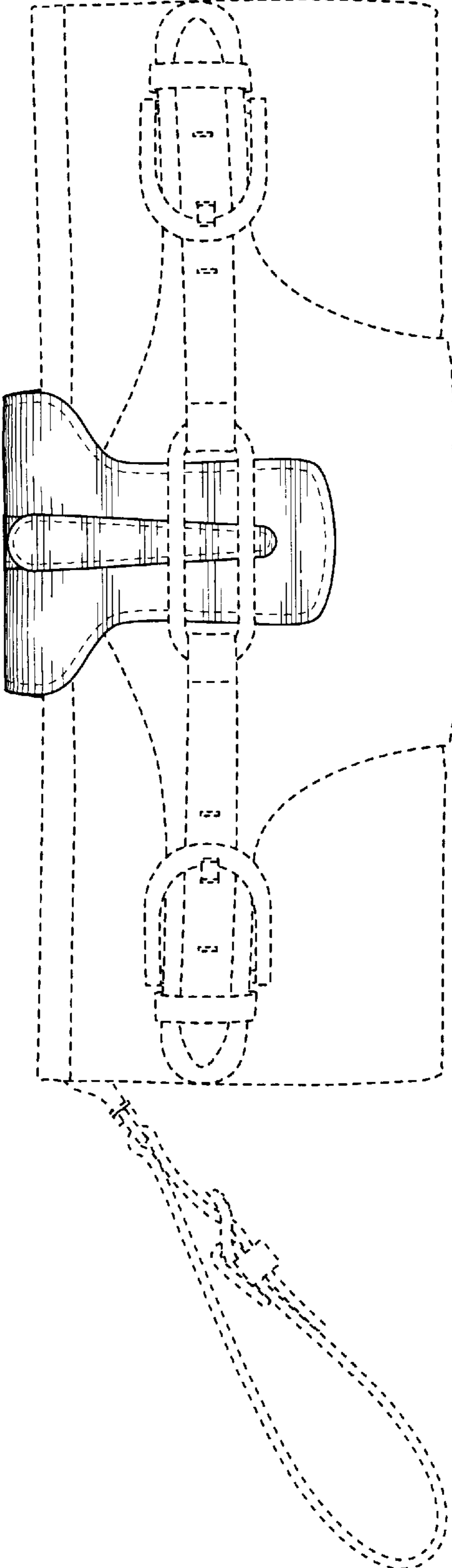


FIG. 5

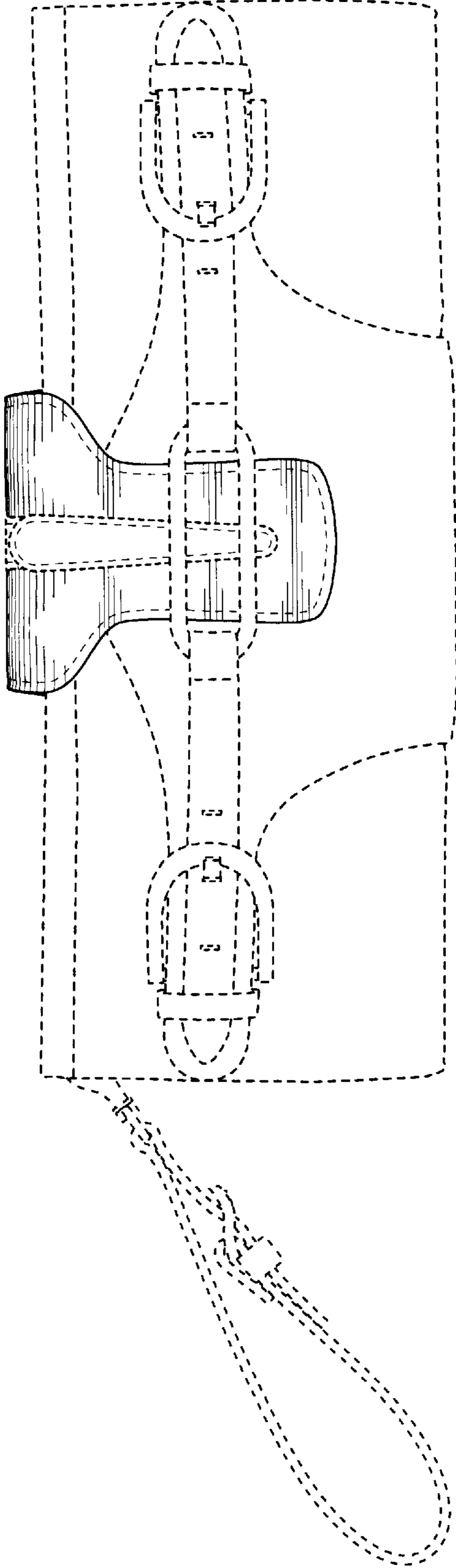


FIG. 6

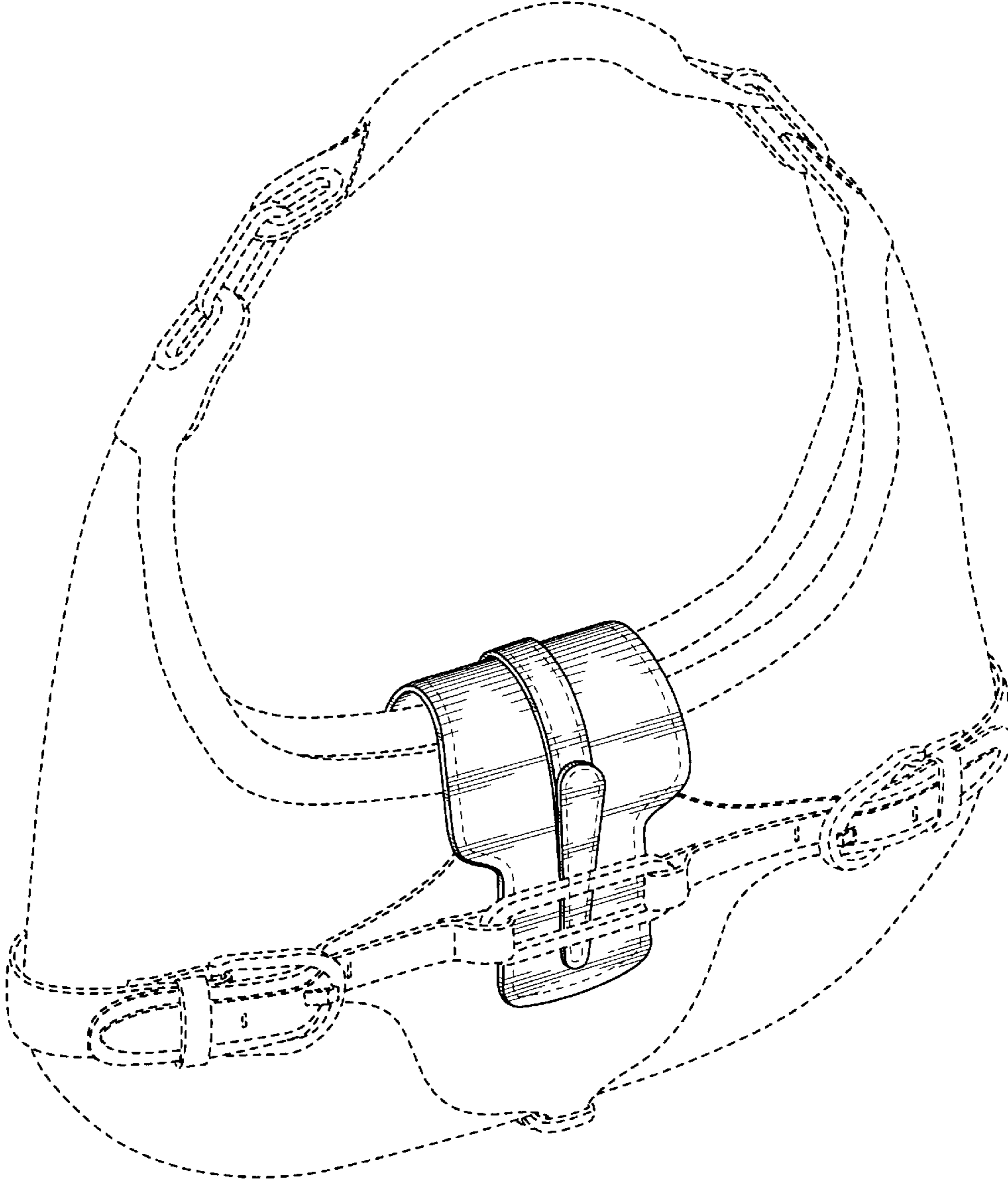


FIG. 7

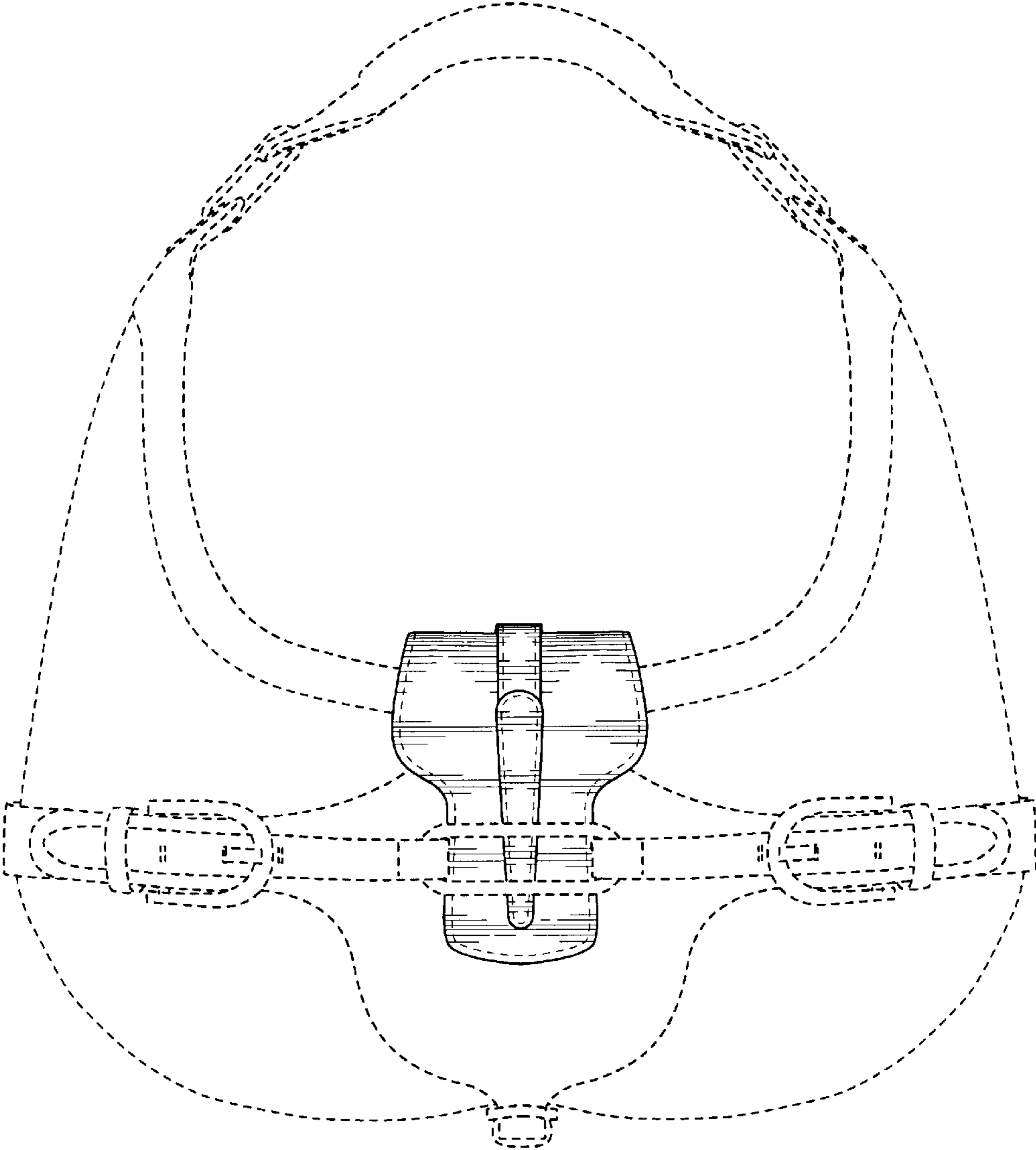


FIG. 8

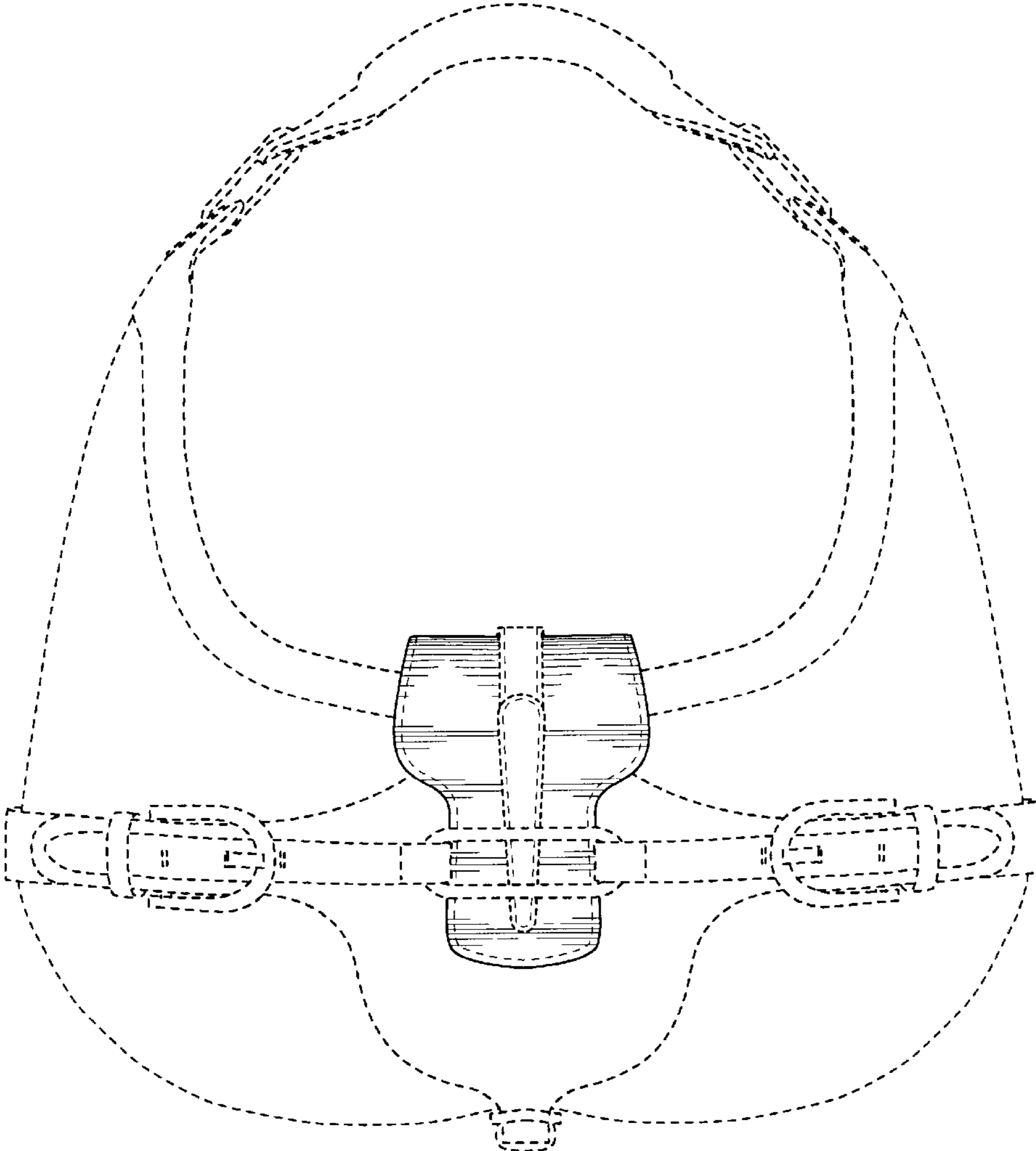


FIG. 9