

US00D507880S

(12) **United States Design Patent** (10) **Patent No.:** **US D507,880 S**
Hassell et al. (45) **Date of Patent:** **** Aug. 2, 2005**

(54) **CRATE FOR BOTTLES OR THE LIKE**

FOREIGN PATENT DOCUMENTS

(75) Inventors: **Jon P. Hassell**, Atlanta, GA (US);
William P. Apps, Alpharetta, GA (US);
Gerald R. Koefeld, Rowlett, TX (US)

DE	28 01 077 A1	7/1978
DE	27 12 748 A1	9/1978
EP	0 231 008 A2	1/1987
FR	1351218	12/1963
FR	2 698 610 A1	6/1994
IT	725683	11/1966
WO	WO 89/03737 A1	5/1989
WO	WO 00/75027 A1	12/2000
WO	WO 01/02261 A1	1/2001
WO	WO 01/10023 A1	2/2002

(73) Assignee: **Rehrig Pacific Company**, Los Angeles, CA (US)

(**) Term: **14 Years**

(21) Appl. No.: **29/174,475**

(22) Filed: **Jan. 17, 2003**

(51) **LOC (8) Cl.** **03-01**

(52) **U.S. Cl.** **D3/313**

(58) **Field of Search** D3/304-309, 312,
D3/314; 220/1.5, 6, 7, 4.26, 4.27, 4.28,
676, DIG. 12, DIG. 14, DIG. 15, DIG. 2;
206/503, 505, 509, 512, 514, 201, 203

OTHER PUBLICATIONS

Photos of Norseman Plastics LTD crate, dated Jan. 2002.

Primary Examiner—Louis S. Zarfaz
Assistant Examiner—John Windmuller

(56) **References Cited**

U.S. PATENT DOCUMENTS

2,535,493 A	12/1950	Gerber
3,009,579 A	11/1961	Eltlinger, Jr.
3,052,373 A	9/1962	Frater
3,245,548 A	4/1966	Kesilman et al.
3,265,237 A	8/1966	Pache et al.
3,270,913 A	9/1966	Bridenstine et al.
3,332,574 A	7/1967	Earp
3,349,943 A	10/1967	Box
D224,366 S	7/1972	Rehrig
3,744,707 A	7/1973	Ross
3,794,208 A	2/1974	Roush et al.
3,997,057 A	12/1976	Craig
4,011,948 A	3/1977	Rehrig et al.
D244,486 S	5/1977	Johnson et al.
D247,648 S	3/1978	Carroll et al.
4,095,720 A	6/1978	Delbrouck et al.
4,101,049 A	7/1978	Wallace et al.
4,105,117 A	8/1978	Atkin et al.
4,143,764 A	3/1979	Moss, III
4,256,224 A	3/1981	Hirota
4,319,685 A	3/1982	David
4,410,099 A	10/1983	deLarosiere

(Continued)

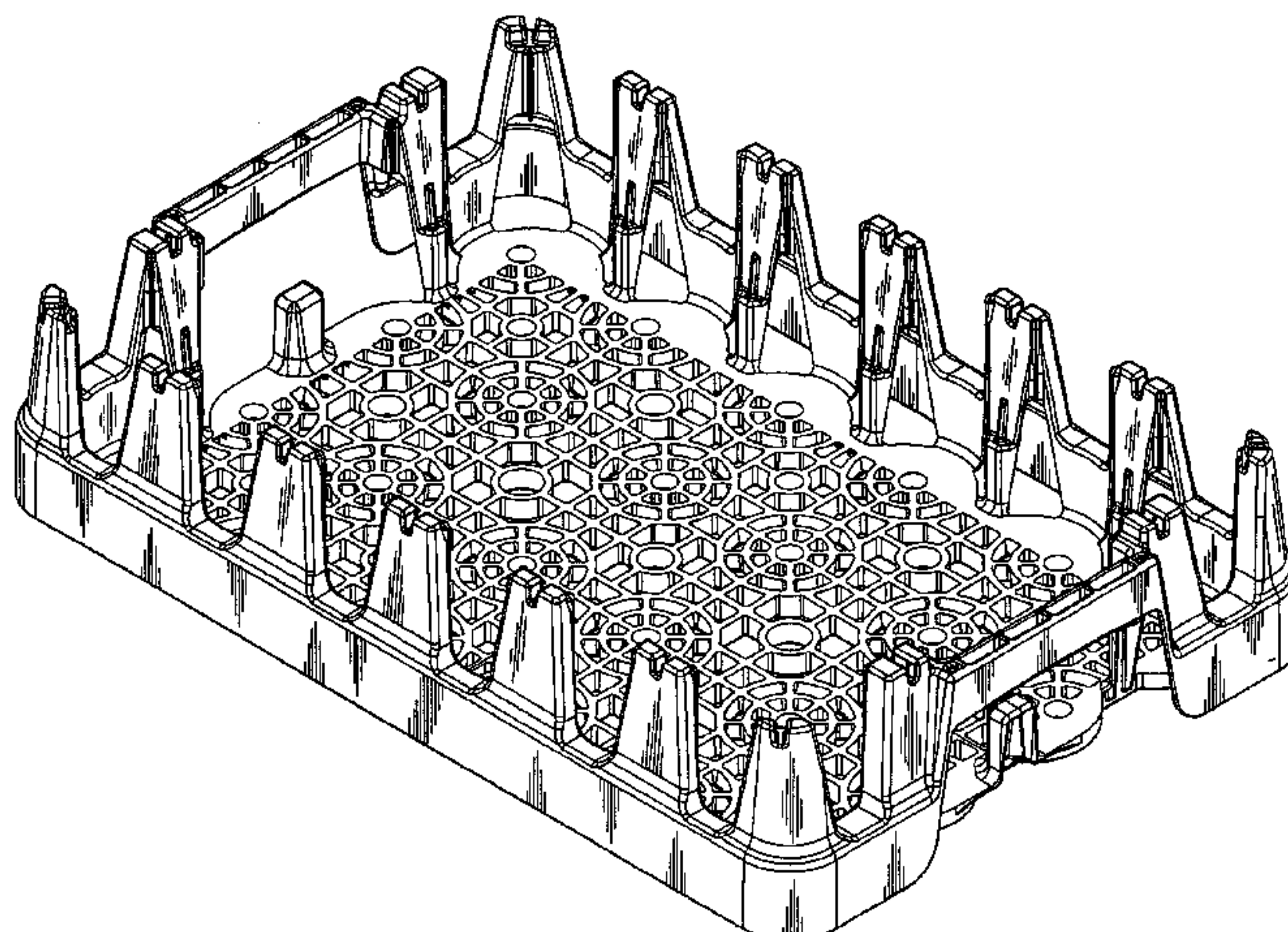
(57) **CLAIM**

The ornamental design for a crate for bottles or the like, as shown and described.

DESCRIPTION

FIG. 1 is a perspective view of a first embodiment of the crate showing our new design;
FIG. 2 is a top plan view thereof at an enlarged scale;
FIG. 3 is a front elevational view thereof at an enlarged scale, the rear elevational view being a mirror image thereof;
FIG. 4 is a left side elevational view thereof at an enlarged scale, the right side elevational view being a mirror image thereof;
FIG. 5 is a bottom plan view thereof at an enlarged scale;
FIG. 6 is a perspective view of a second embodiment of the crate showing our new design;
FIG. 7 is a top plan view thereof at an enlarged scale;
FIG. 8 is a front elevational view thereof at an enlarged scale, the rear elevational view being a mirror image thereof;
FIG. 9 is a left side elevational view thereof at an enlarged scale, the right side elevational view being a mirror image thereof; and,
FIG. 10 is a bottom plan view thereof at an enlarged scale.

1 Claim, 10 Drawing Sheets



US D507,880 S

Page 2

U.S. PATENT DOCUMENTS					
4,759,451 A	7/1988	Apps	D380,613 S	7/1997	Apps et al.
4,773,554 A	9/1988	Warwick	D380,901 S	7/1997	Apps et al.
4,846,365 A	7/1989	Steinlein	5,651,461 A	7/1997	Koefeldt et al.
4,899,874 A	2/1990	Apps et al.	5,660,279 A	8/1997	Apps et al.
4,928,841 A	5/1990	Arthurs	5,704,482 A	1/1998	Apps et al.
4,932,532 A	6/1990	Apps et al.	5,752,602 A *	5/1998	Ackermann et al. 206/507
4,944,400 A	7/1990	Van Onstein et al.	D398,152 S	9/1998	Kelly
4,978,002 A	12/1990	Apps et al.	D399,060 S	10/1998	Apps et al.
5,060,819 A	10/1991	Apps	D399,061 S	10/1998	Apps et al.
5,096,085 A	3/1992	Eek et al.	D400,012 S	10/1998	Apps
5,097,980 A	3/1992	Warwick	D401,764 S	12/1998	Apps et al.
D325,279 S	4/1992	Apps	5,842,572 A *	12/1998	Apps et al. 206/503
5,105,948 A	4/1992	Morris et al.	D404,204 S	1/1999	Apps
D329,931 S	9/1992	Apps	5,855,277 A	1/1999	Apps et al.
D330,621 S	10/1992	Apps	5,913,424 A	6/1999	Kelly et al.
5,213,211 A	5/1993	Umiker	5,918,751 A	7/1999	Kelly
5,335,814 A	8/1994	Hepp	D412,399 S	8/1999	Apps et al.
5,426,890 A	6/1995	Dümmen	5,979,654 A	11/1999	Apps
D361,431 S	8/1995	Koefeldt	6,006,912 A *	12/1999	McGrath 206/516
5,445,273 A *	8/1995	Apps 206/505	6,073,793 A	6/2000	Apps et al.
5,465,843 A	11/1995	Koefeldt	D441,957 S	5/2001	Kelly
5,487,487 A	1/1996	Hammett	D462,522 S	9/2002	Apps et al.
D371,239 S	7/1996	Kelly	6,457,599 B1	10/2002	Apps et al.
D378,249 S	3/1997	Apps et al.	D465,417 S	11/2002	Apps
D379,121 S	5/1997	Apps et al.	D466,018 S	11/2002	Apps
D379,717 S	6/1997	Apps et al.	D468,634 S	1/2003	Hammett

* cited by examiner

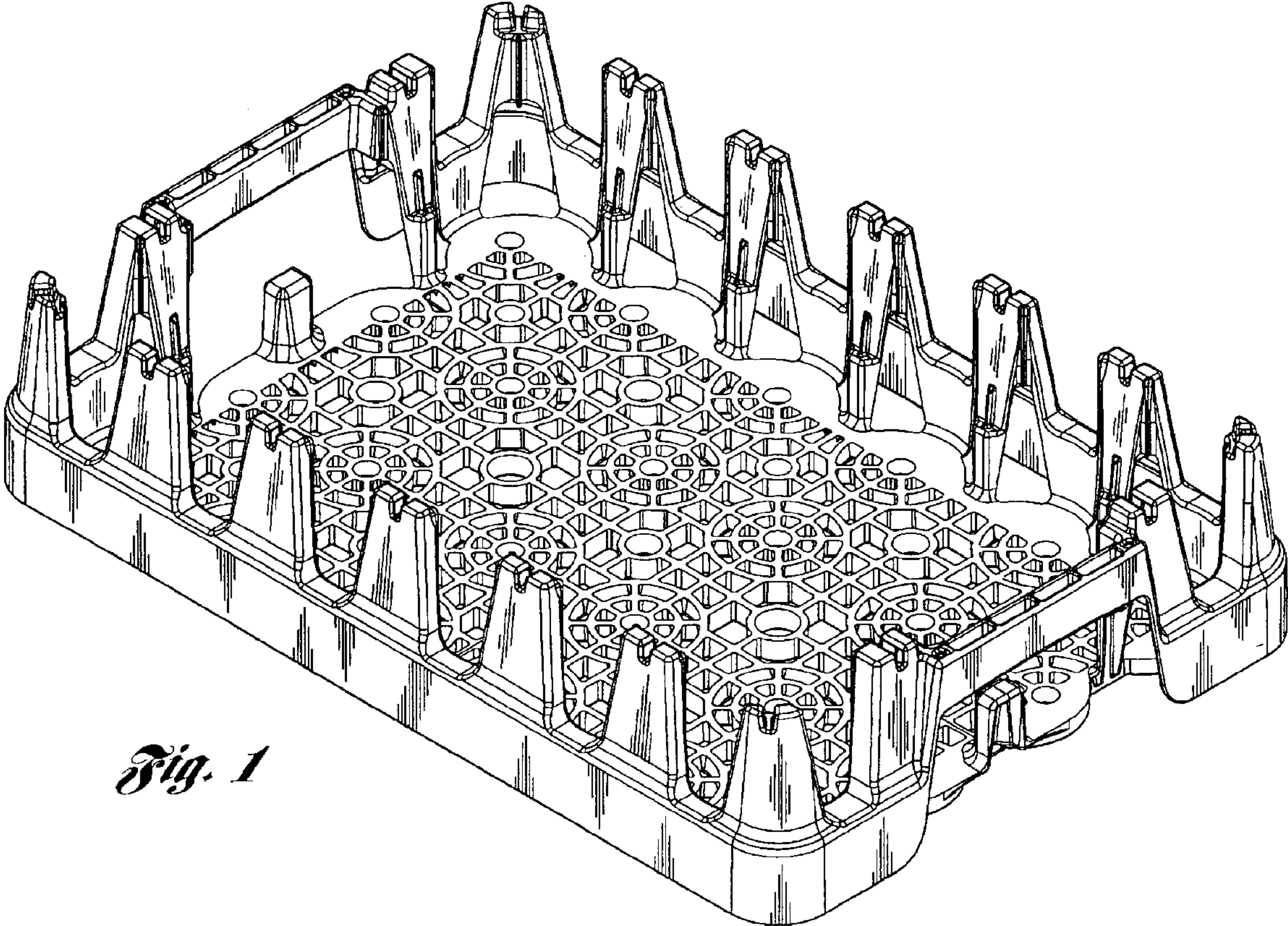


Fig. 1

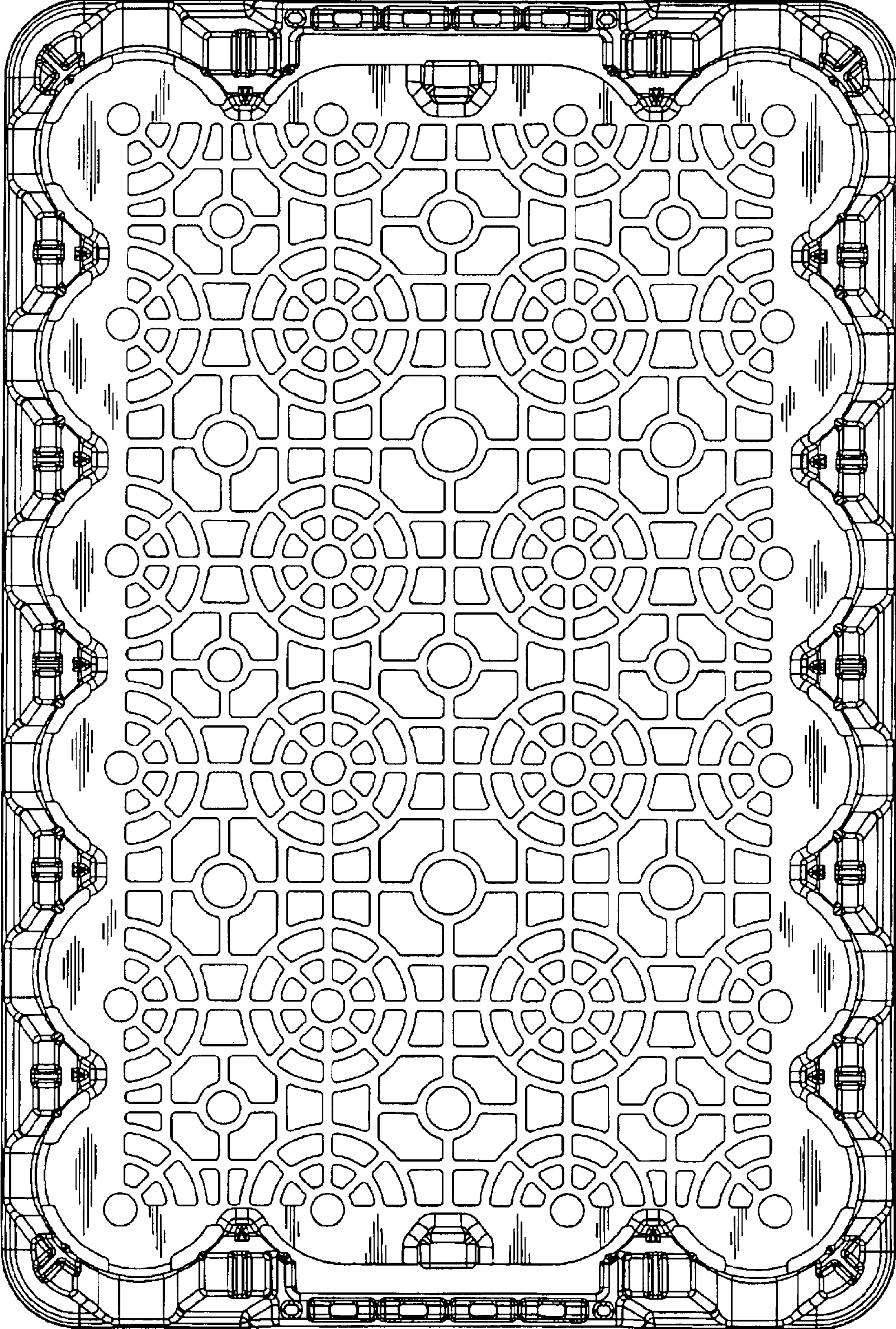


Fig. 2

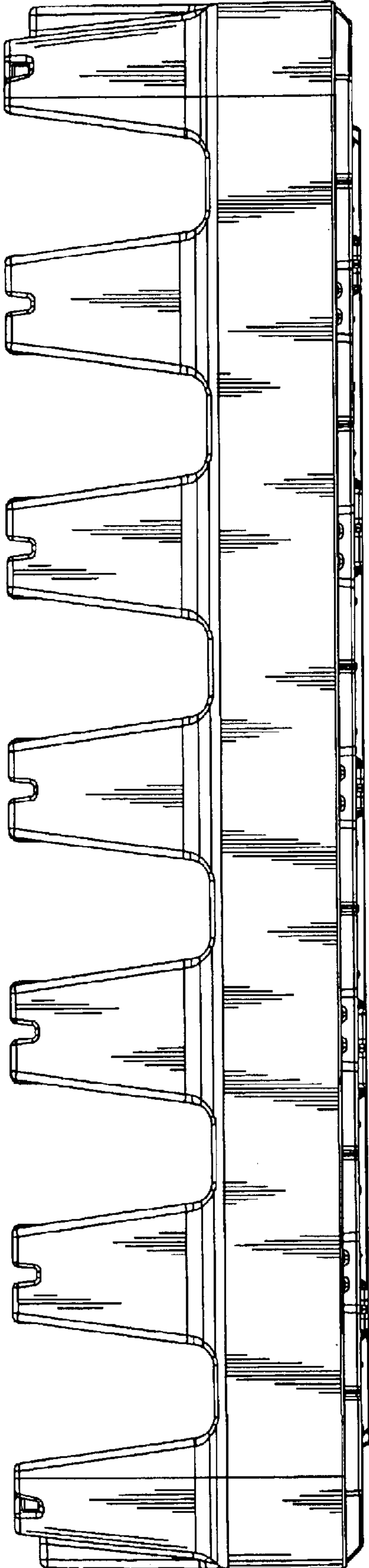


Fig. 3

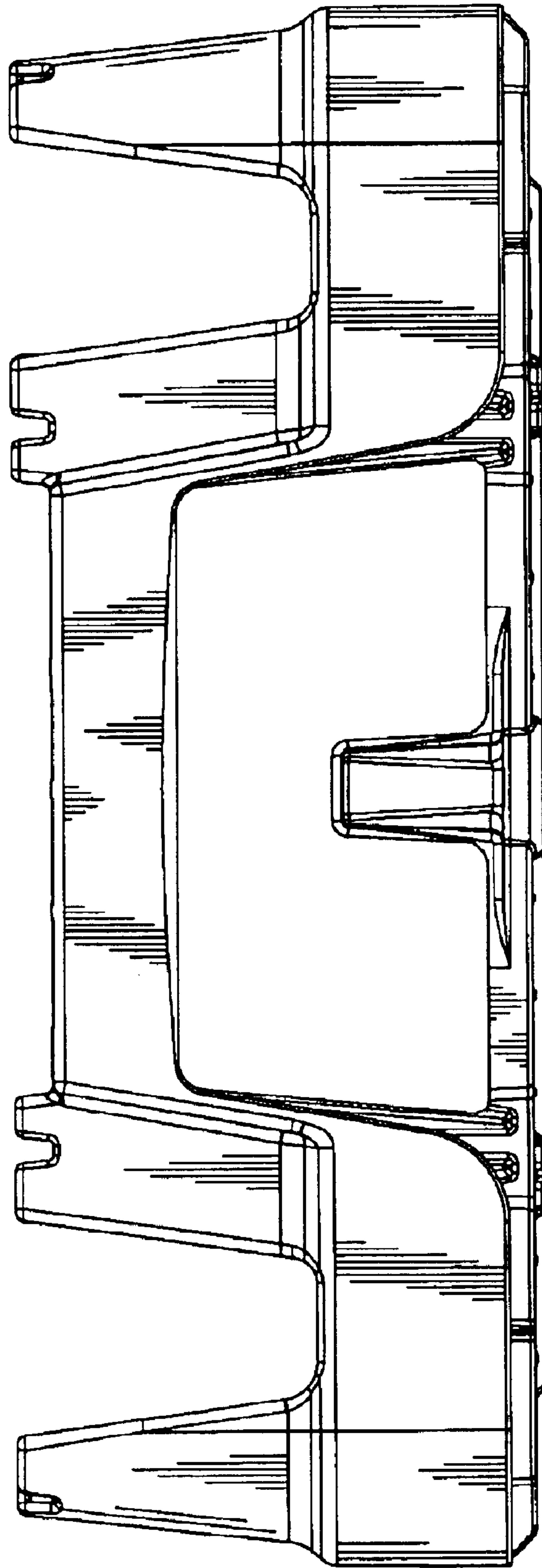


Fig. 4

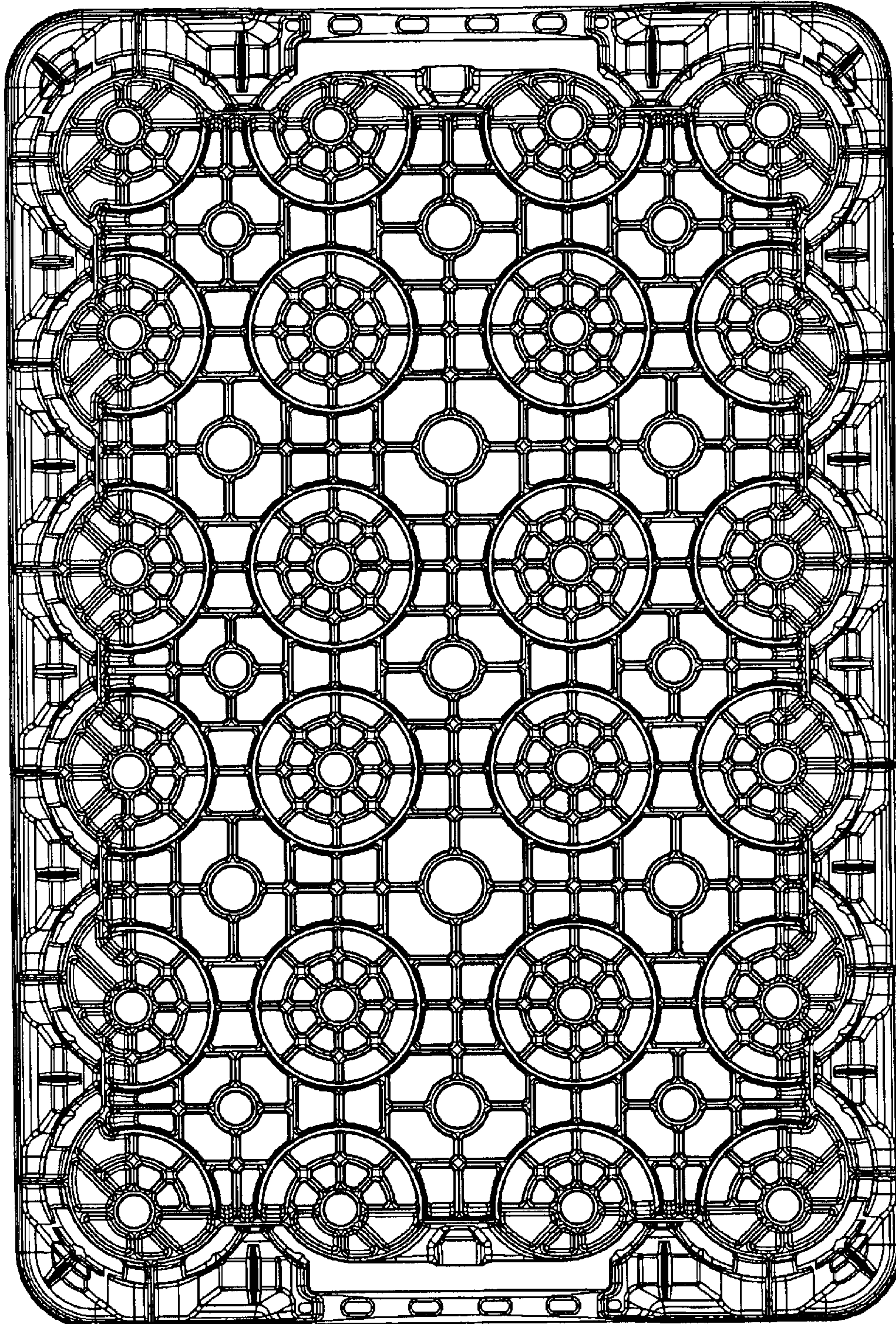


Fig. 5

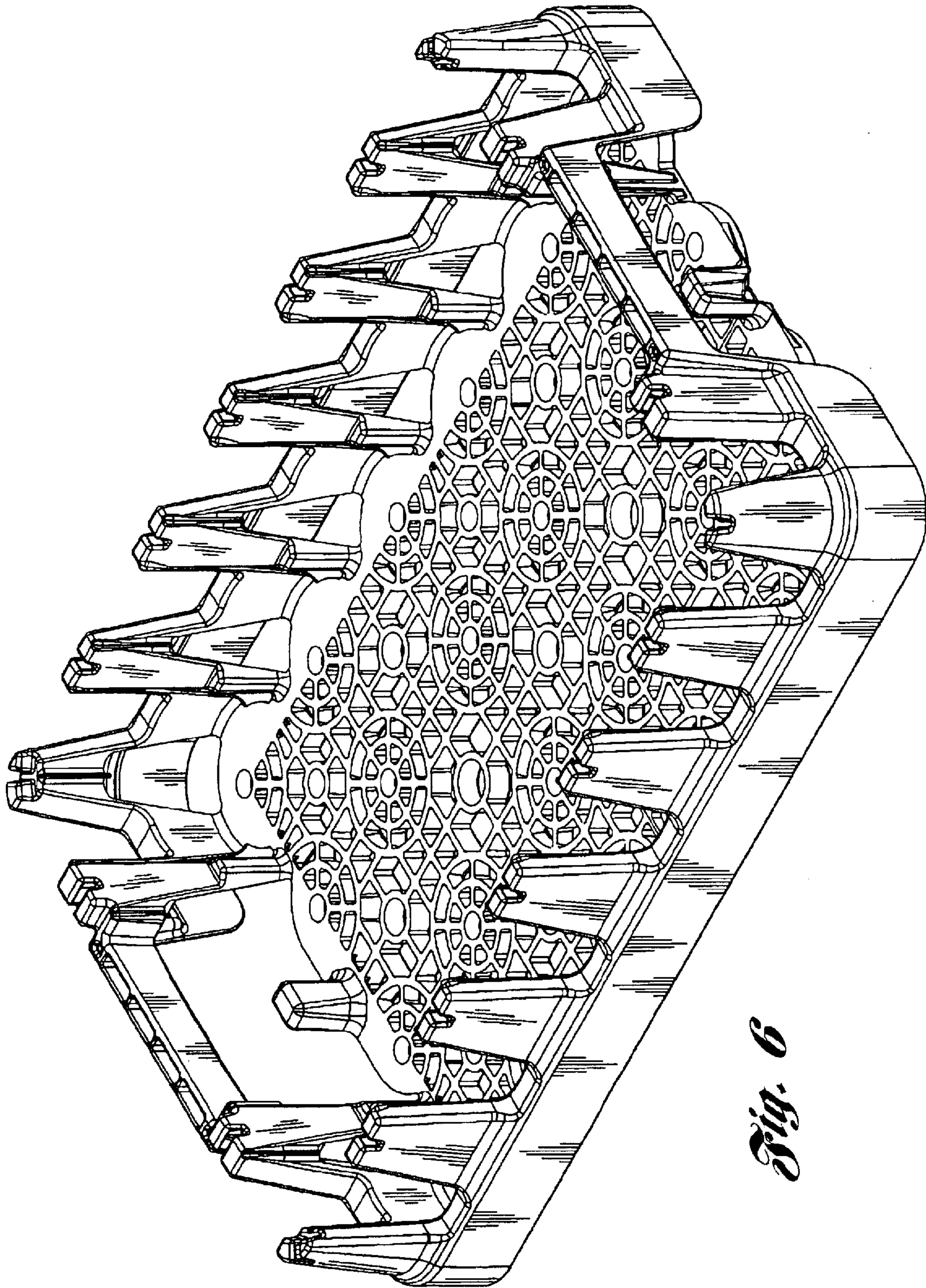


Fig. 6

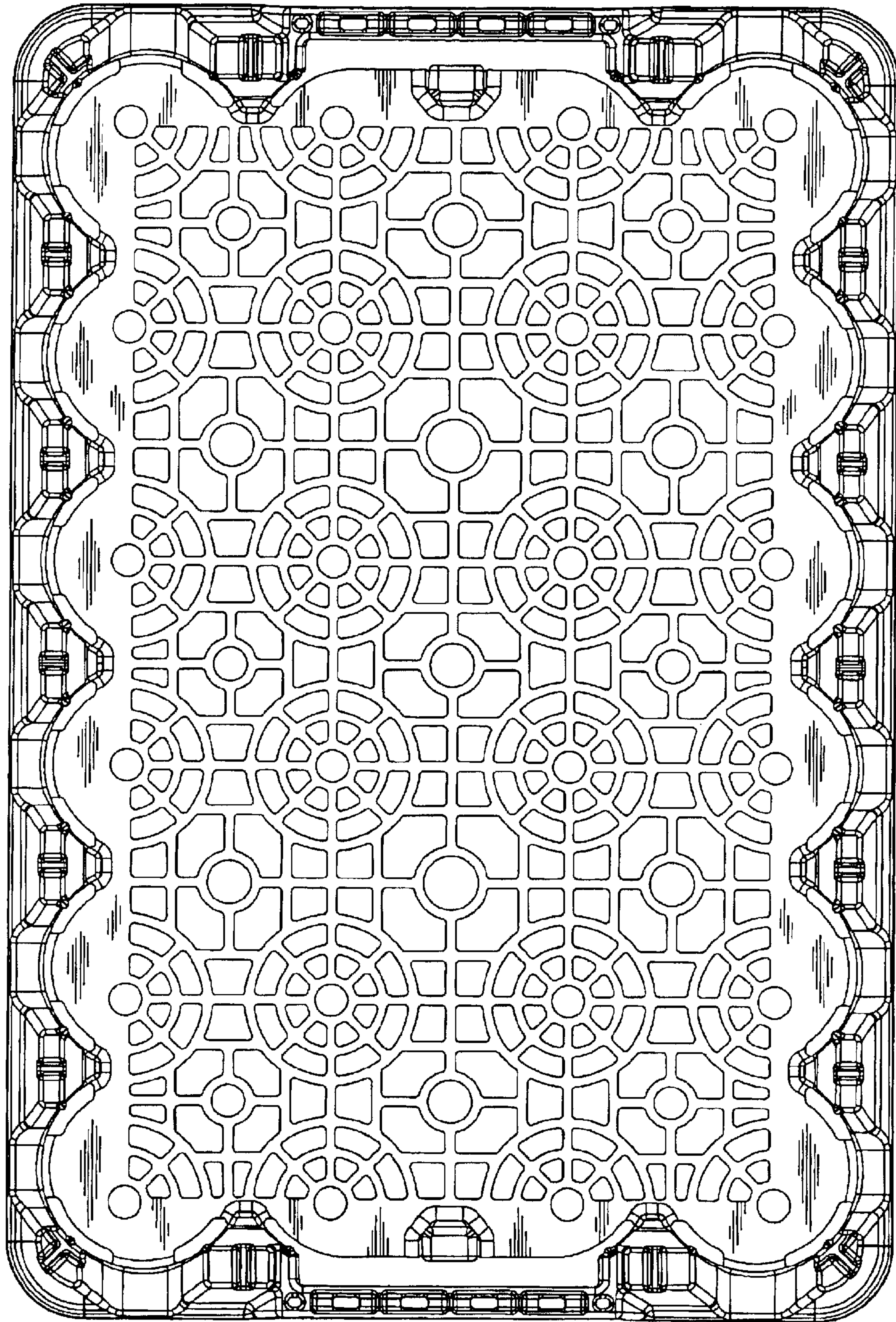


Fig. 7

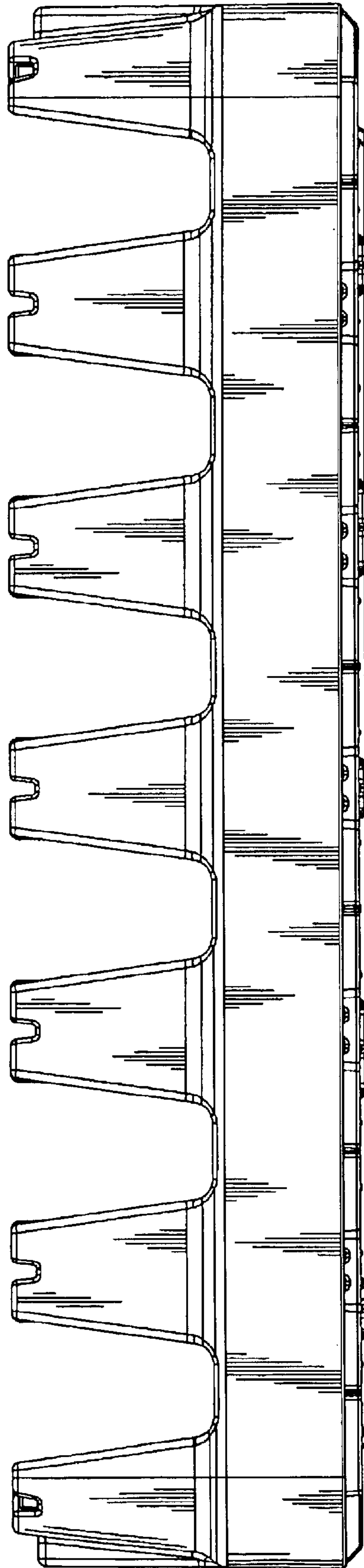


Fig. 8

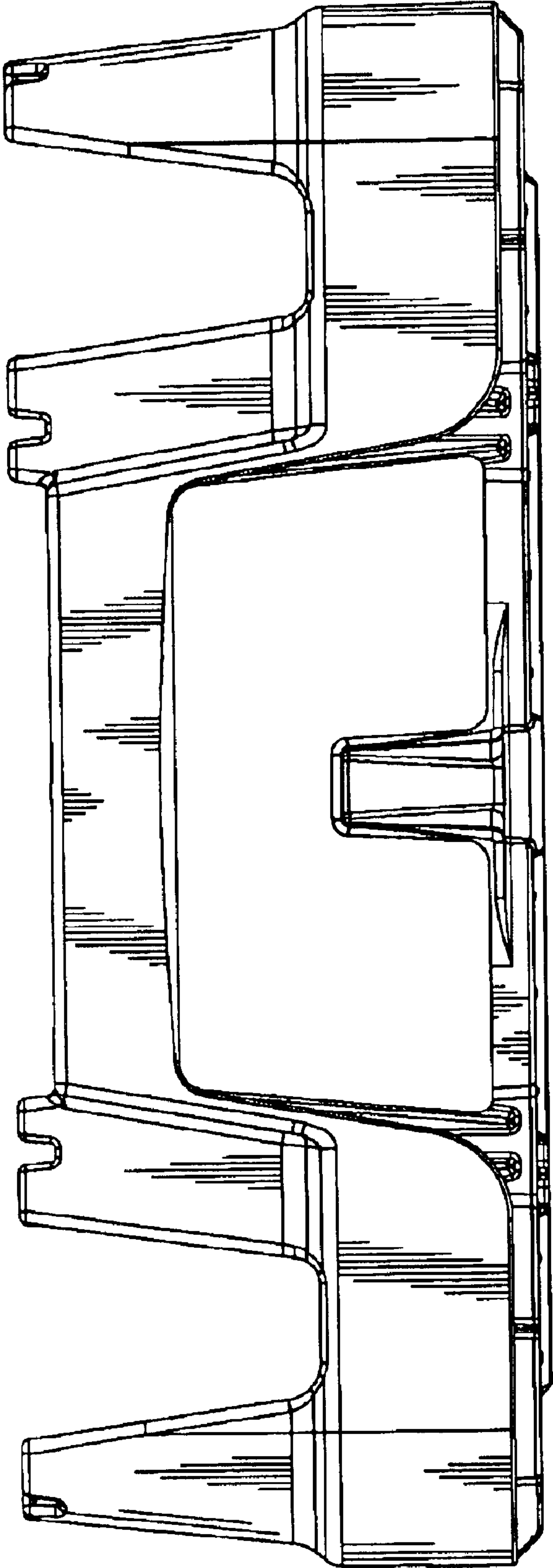


Fig. 9

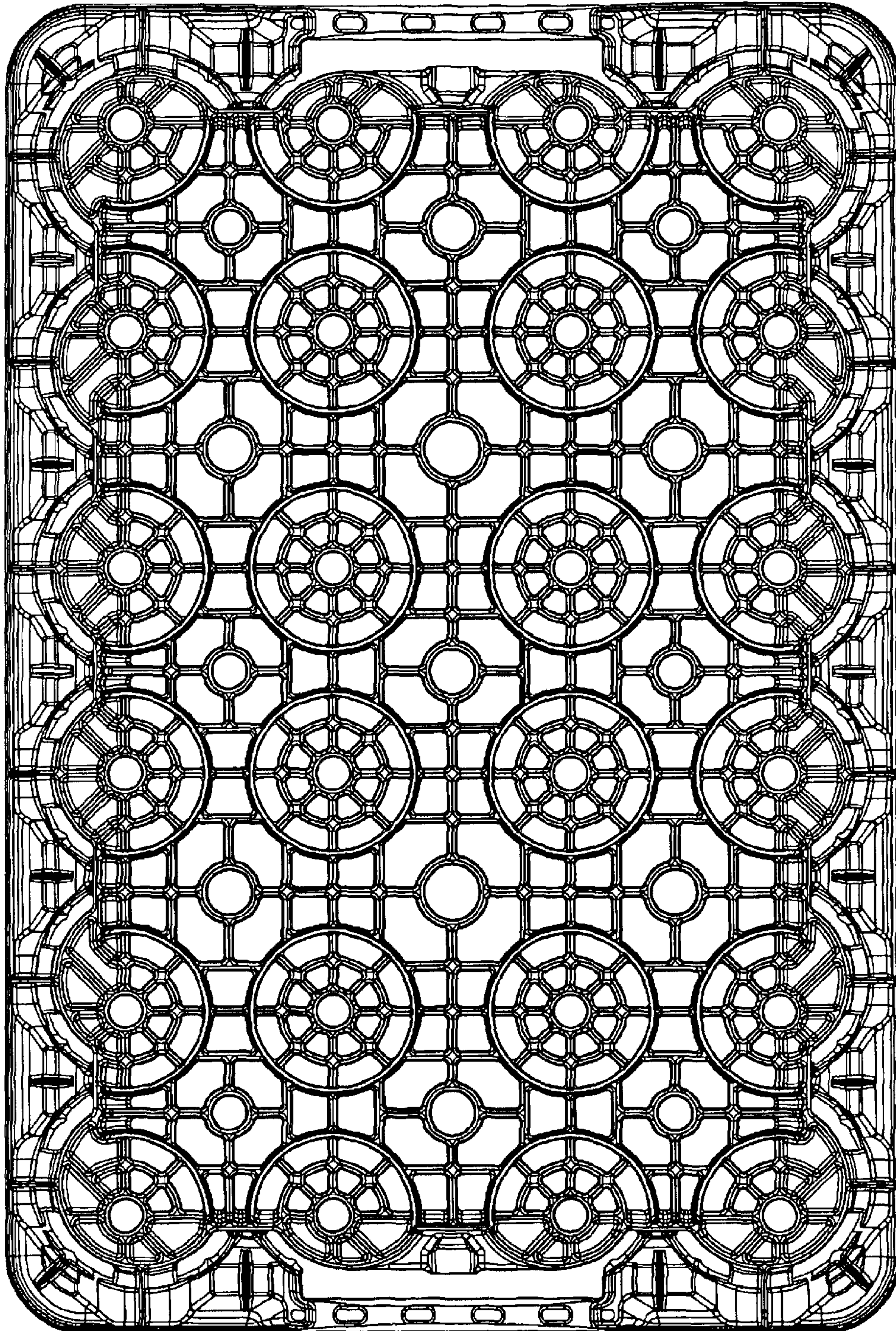


Fig. 10