

US00D507877S

(12) **United States Design Patent**
Lin

(10) **Patent No.:** **US D507,877 S**

(45) **Date of Patent:** **** Aug. 2, 2005**

(54) **TOOL BOX**

(76) **Inventor:** **Yi-Ting Lin**, 11F-2, No. 43, Chai-I Street, Taichung City (TW)

(**) **Term:** **14 Years**

(21) **Appl. No.:** **29/202,343**

(22) **Filed:** **Mar. 29, 2004**

(51) **LOC (8) Cl.** **03-01**

(52) **U.S. Cl.** **D3/282; D3/905**

(58) **Field of Search** D3/273, 276, 281, D3/282, 283, 294, 295, 905; 206/349, 372, 373; 190/100, 110; 312/902; 220/796

(56) **References Cited**

U.S. PATENT DOCUMENTS

D343,063 S	*	1/1994	Chen	D3/282
D347,731 S	*	6/1994	Hayakawa et al.	D3/282
D406,192 S	*	3/1999	Schurman	D3/282
D426,705 S	*	6/2000	Fang	D3/282
D440,043 S	*	4/2001	Miller et al.	D3/282

D470,658 S	*	2/2003	Chunn et al.	D3/282
D477,913 S	*	8/2003	Fang	D3/282
D478,209 S	*	8/2003	Chen	D3/282
D484,309 S	*	12/2003	Lee	D3/282

* cited by examiner

Primary Examiner—Philip S. Hyder

(74) *Attorney, Agent, or Firm*—Charles E. Baxley

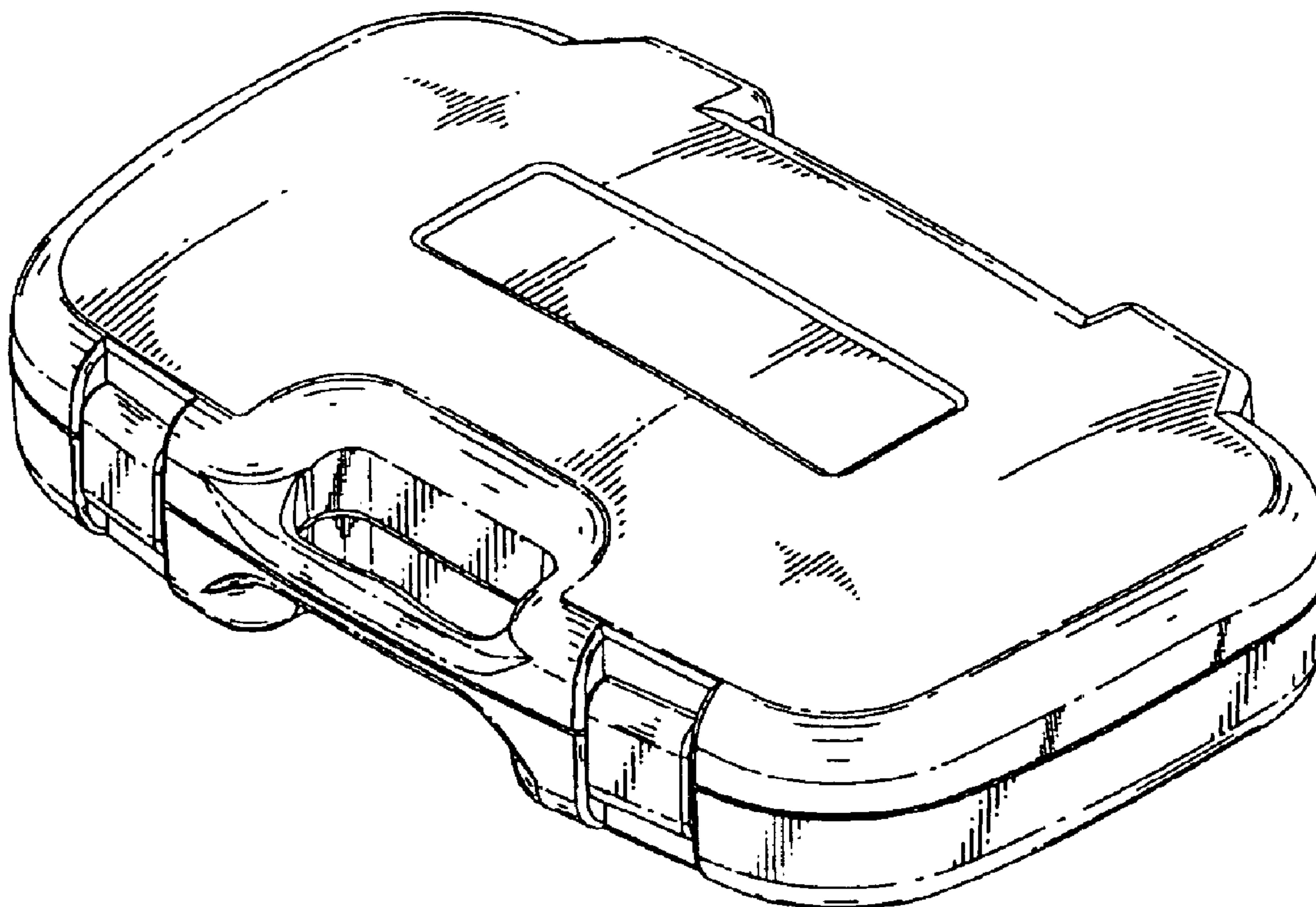
(57) **CLAIM**

The ornamental design for a tool box, as shown and described.

DESCRIPTION

FIG. 1 is a front-right-top perspective view of a tool box, showing my new design;
FIG. 2 is a front elevational view thereof;
FIG. 3 is a rear elevational view thereof;
FIG. 4 is a left elevational view thereof; the right side being a mirror image thereof;
FIG. 5 is a top plan view thereof; and,
FIG. 6 is a bottom plan view thereof.

1 Claim, 2 Drawing Sheets



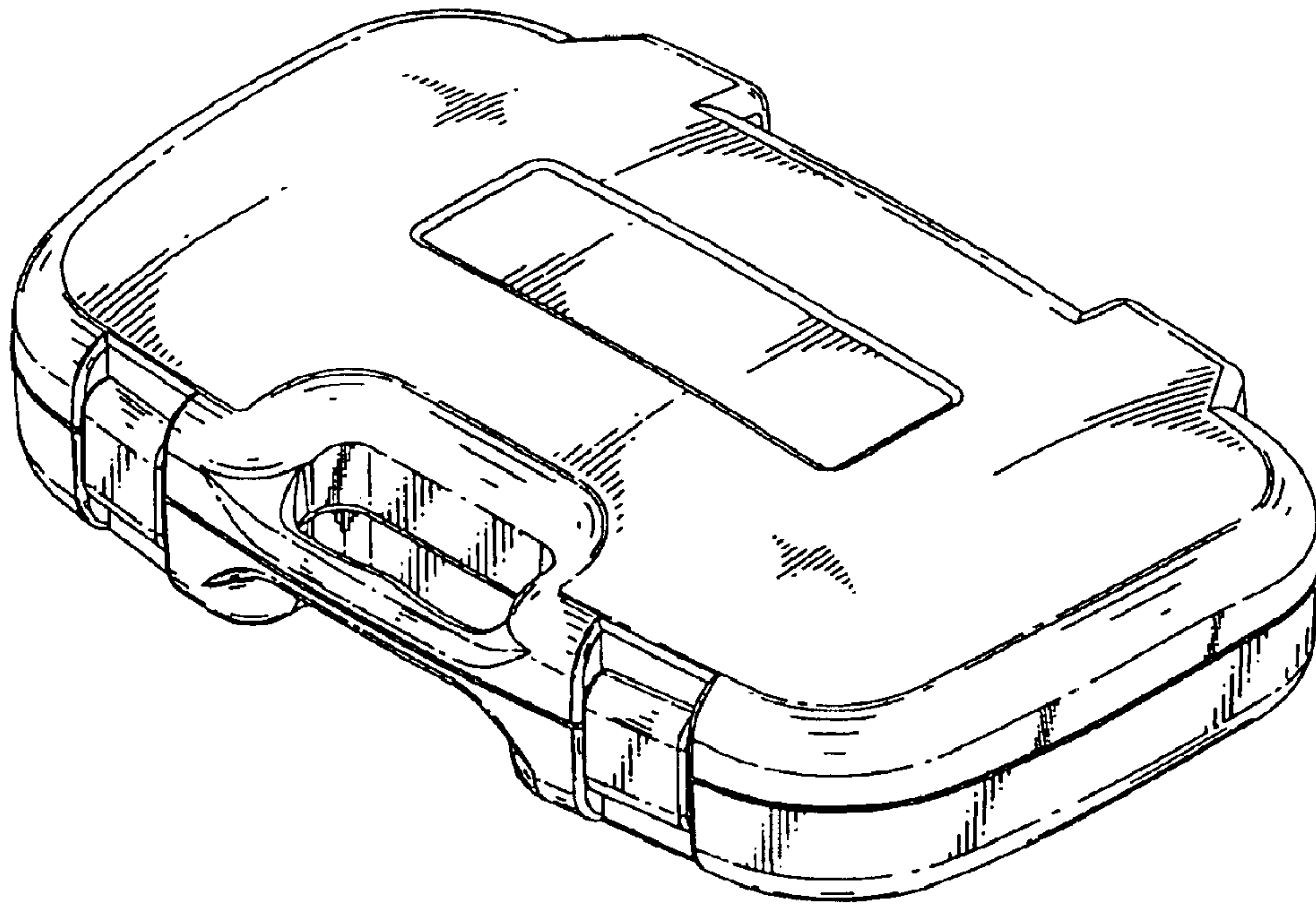


FIG. 1

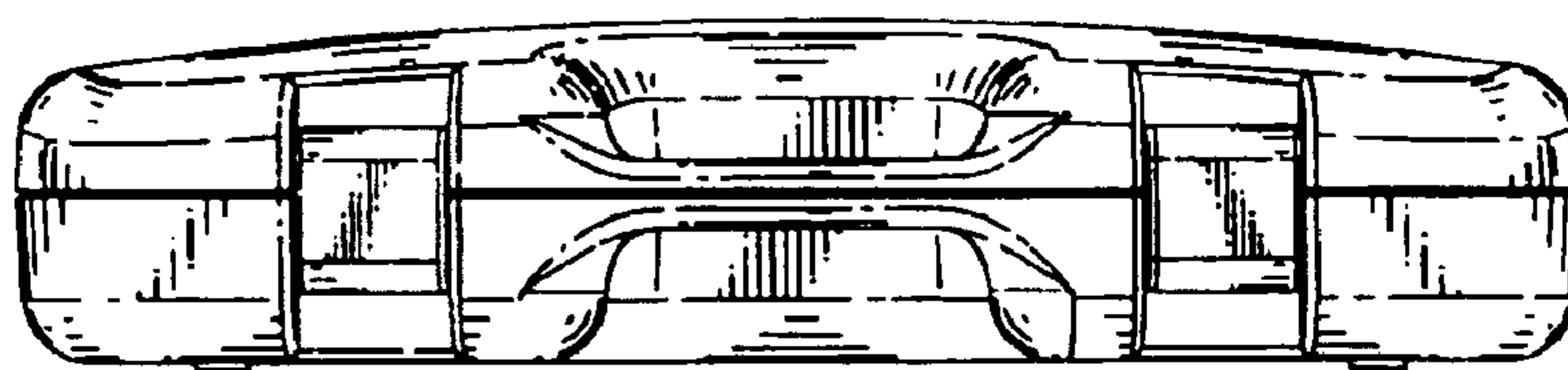


FIG. 2



FIG. 3



FIG. 4

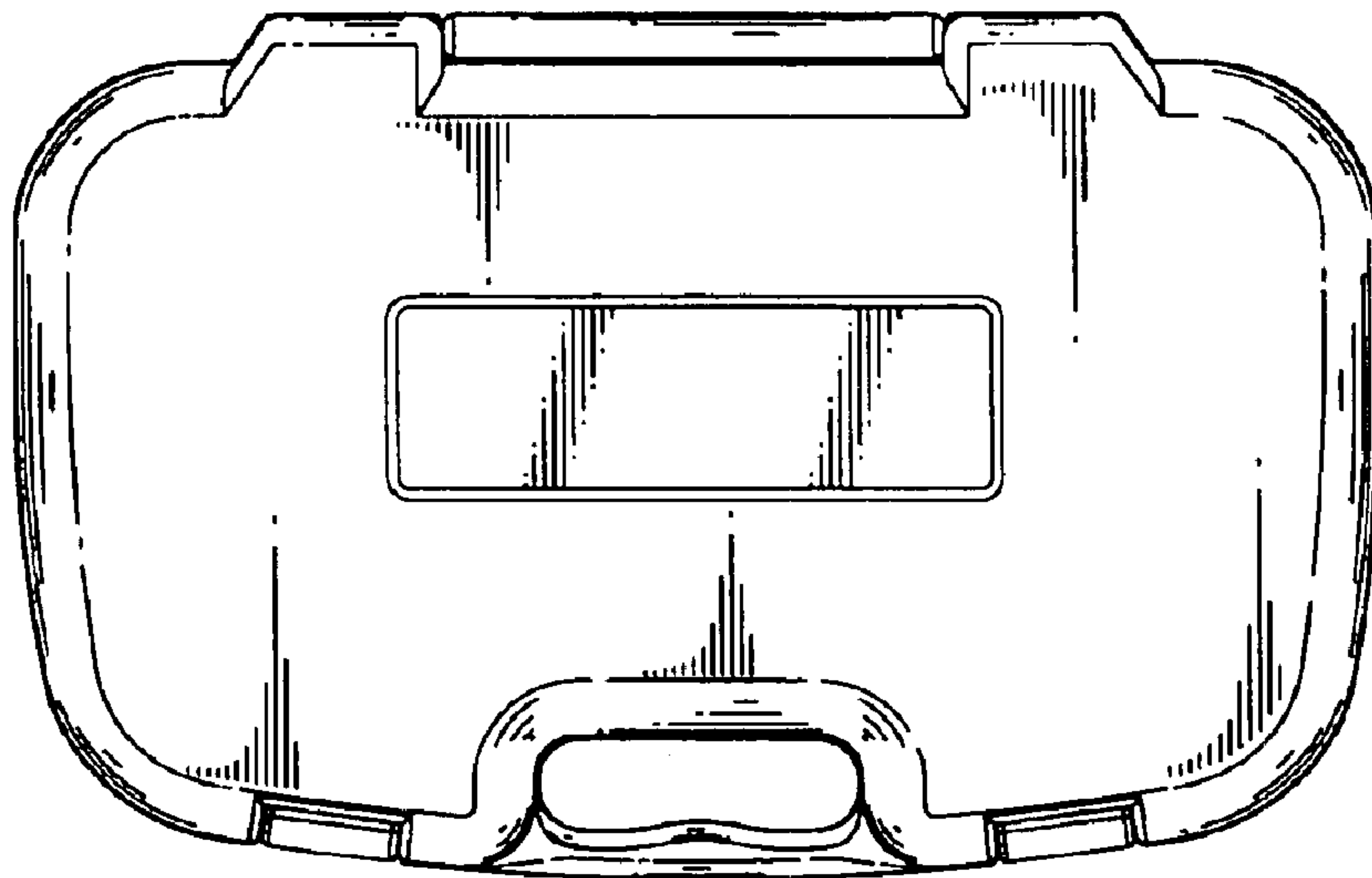


FIG. 5

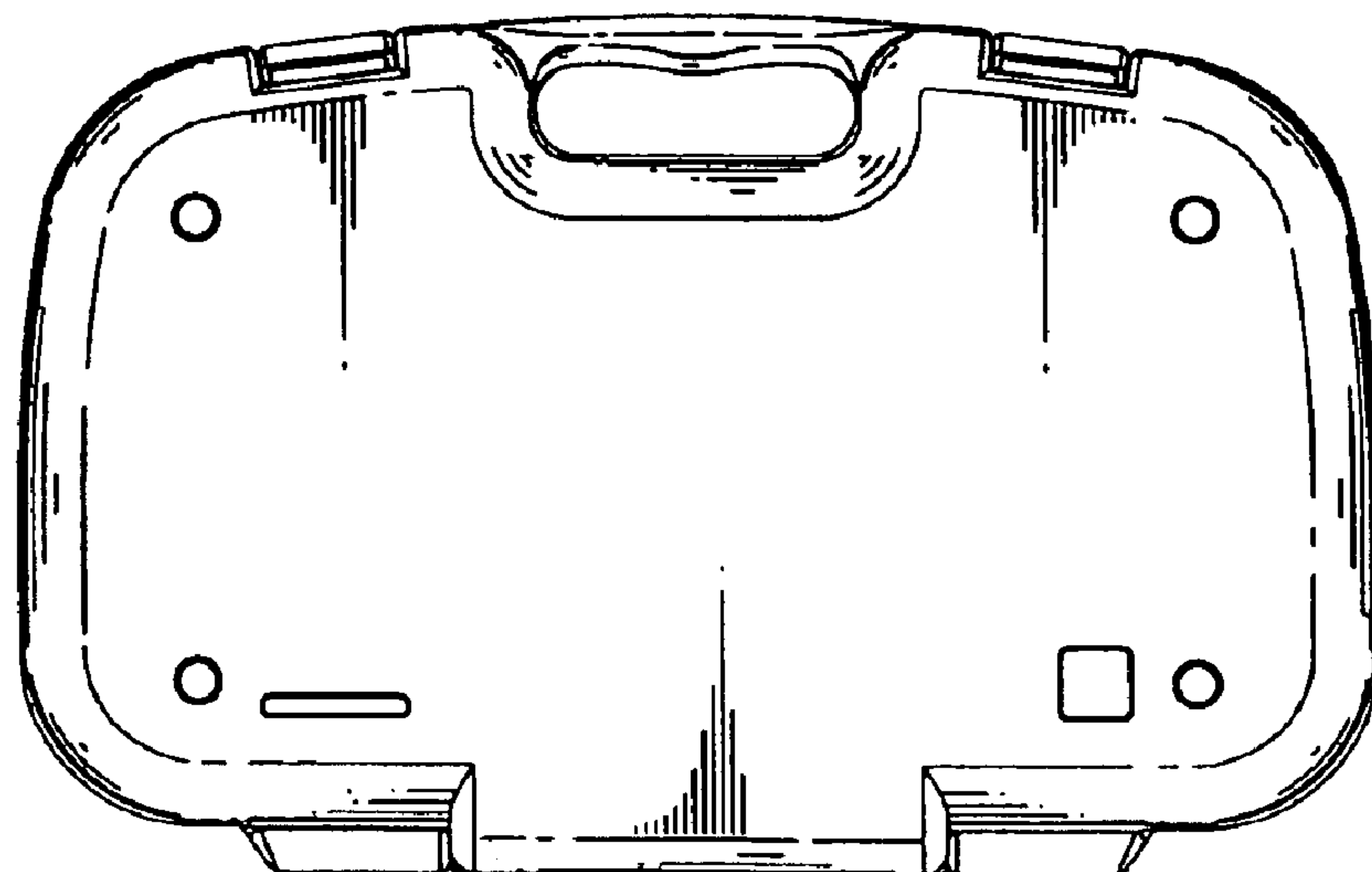


FIG. 6