



US00D507876S

(12) **United States Design Patent**
Fadely

(10) **Patent No.:** **US D507,876 S**

(45) **Date of Patent:** **** Aug. 2, 2005**

(54) **CAMPER'S DRESSER CASE**

D465,085 S * 11/2002 Chen D3/279

(76) **Inventor:** **Linda Canfield Fadely**, 1220 Wilson Rd., Huntingtown, MD (US) 20639

* cited by examiner

(**) **Term:** **14 Years**

Primary Examiner—Philip S. Hyder

(74) *Attorney, Agent, or Firm*—Brady, O'Boyle, Gates

(21) **Appl. No.:** **29/202,780**

(57) **CLAIM**

(22) **Filed:** **Apr. 6, 2004**

The ornamental design for a camper's dresser case, as shown and described.

(51) **LOC (8) Cl.** **03-01**

(52) **U.S. Cl.** **D3/279; D3/284**

(58) **Field of Search** D3/273, 276, 289, D3/279, 283, 284, 285, 287; 190/18 A, 100, 109, 110, 111

DESCRIPTION

FIG. 1 is a front side perspective view of a camper's dresser case showing my new design;

FIG. 2 is a rear side perspective view of the camper's dresser case shown in FIG. 1;

FIG. 3 is a top plan view of the camper's dresser case shown in FIG. 2;

FIG. 4 is a bottom plan view of the camper's dresser case shown in FIG. 2;

FIG. 5 is a rear side perspective view of the camper's dresser case shown in FIG. 2, showing the pull handle in the retracted, stored position and the rear panel in the open position;

FIG. 6 is a front side perspective view of the camper's dresser case shown in FIG. 1, showing the case in the open position; and,

FIG. 7 is a bottom perspective view of the camper's dresser case as shown in FIG. 6.

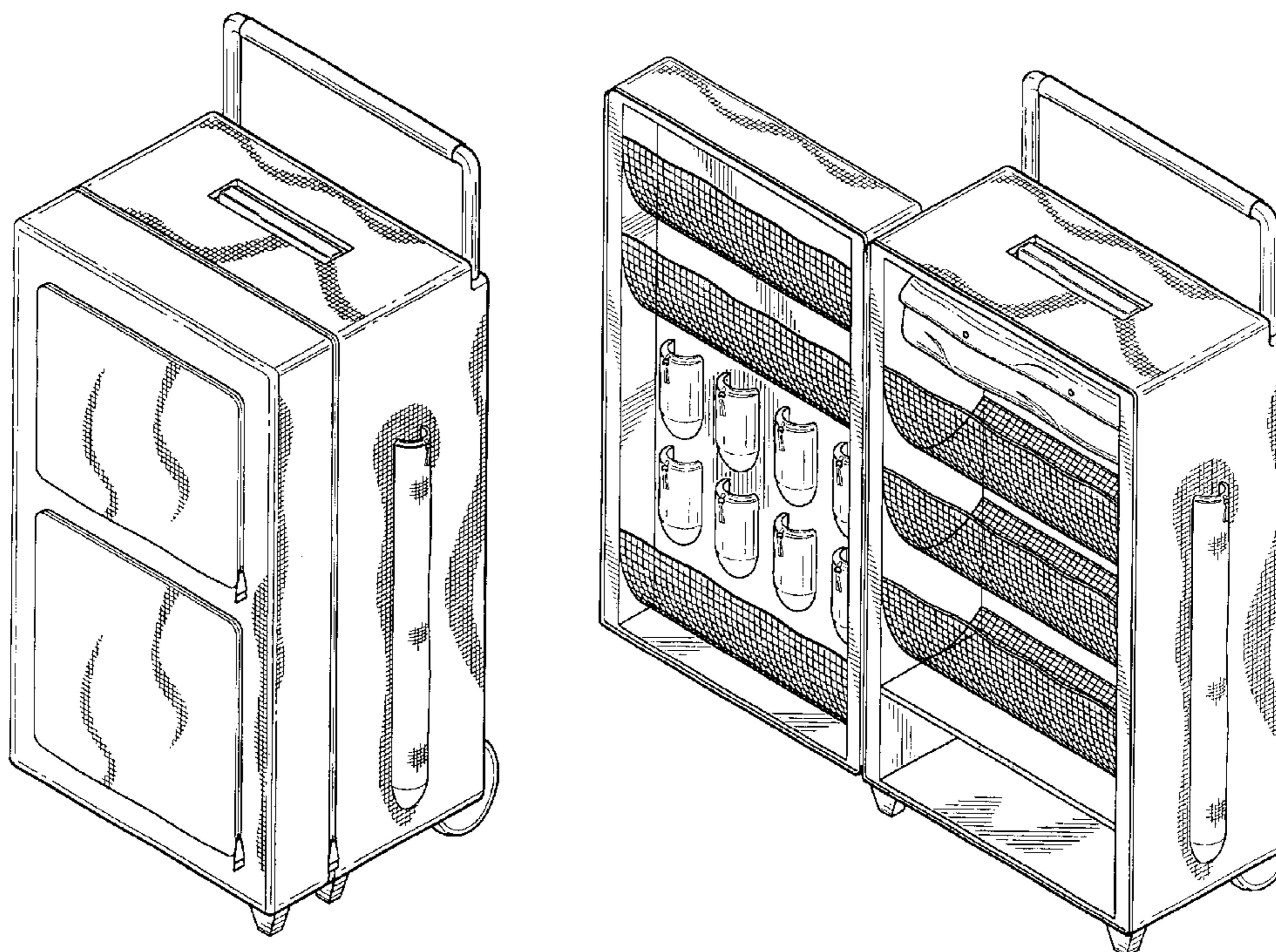
The patches of cross-hatching represent a texture that continues throughout the surfaces of the case.

(56) **References Cited**

U.S. PATENT DOCUMENTS

844,393 A	2/1907	Payton	190/6
1,175,478 A	3/1916	Shaw	190/7
1,609,348 A	12/1926	Disney	190/7
1,694,470 A	12/1928	Hursh	190/6
4,738,340 A	4/1988	Crespi	190/18 R
D354,396 S	* 1/1995	Lowenstein	D3/276
D354,397 S	* 1/1995	Berman	D3/276
D364,504 S	* 11/1995	Bieber et al.	D3/276
5,676,223 A	* 10/1997	Cunningham	190/109
D385,699 S	* 11/1997	Lin	D3/279
D414,933 S	* 10/1999	Yu	D3/282
6,000,509 A	* 12/1999	Chisholm	190/109
6,076,641 A	6/2000	Kinzer et al.	190/18 A
6,102,172 A	* 8/2000	Dercole	190/18 A
D456,993 S	* 5/2002	Lin	D3/279
D459,579 S	* 7/2002	Kegels	D3/279

1 Claim, 6 Drawing Sheets



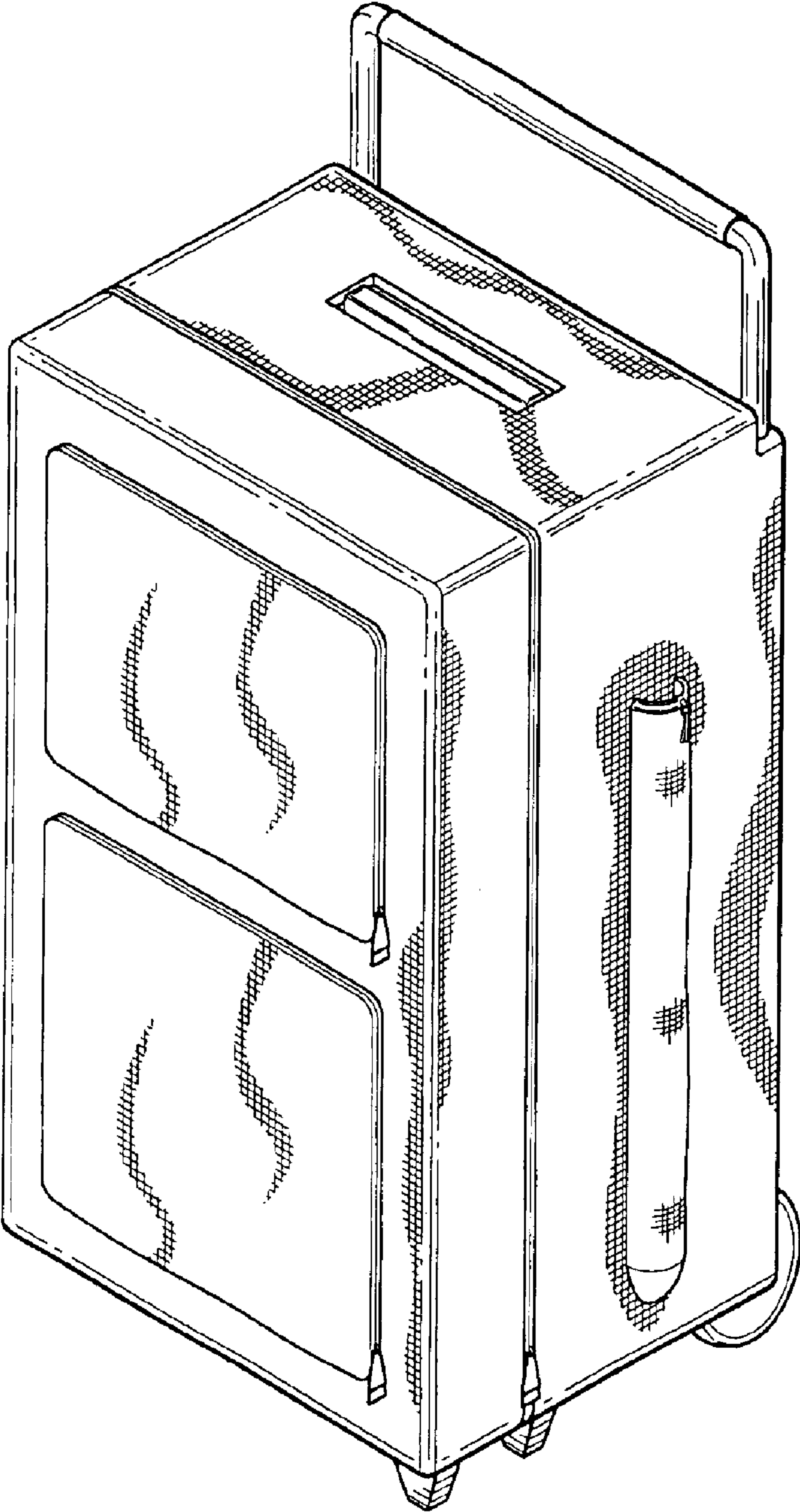


FIG. 1

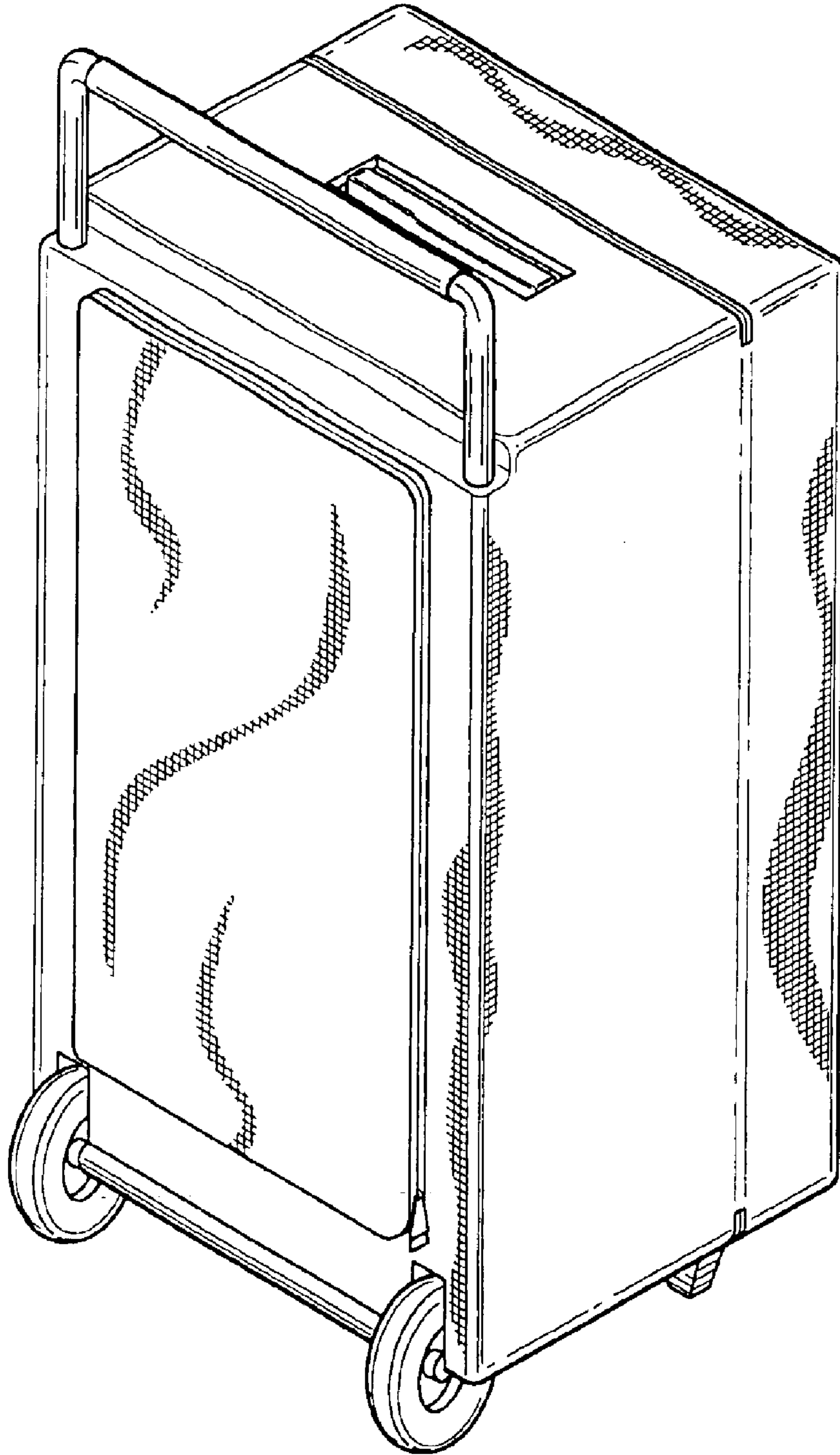


FIG.2

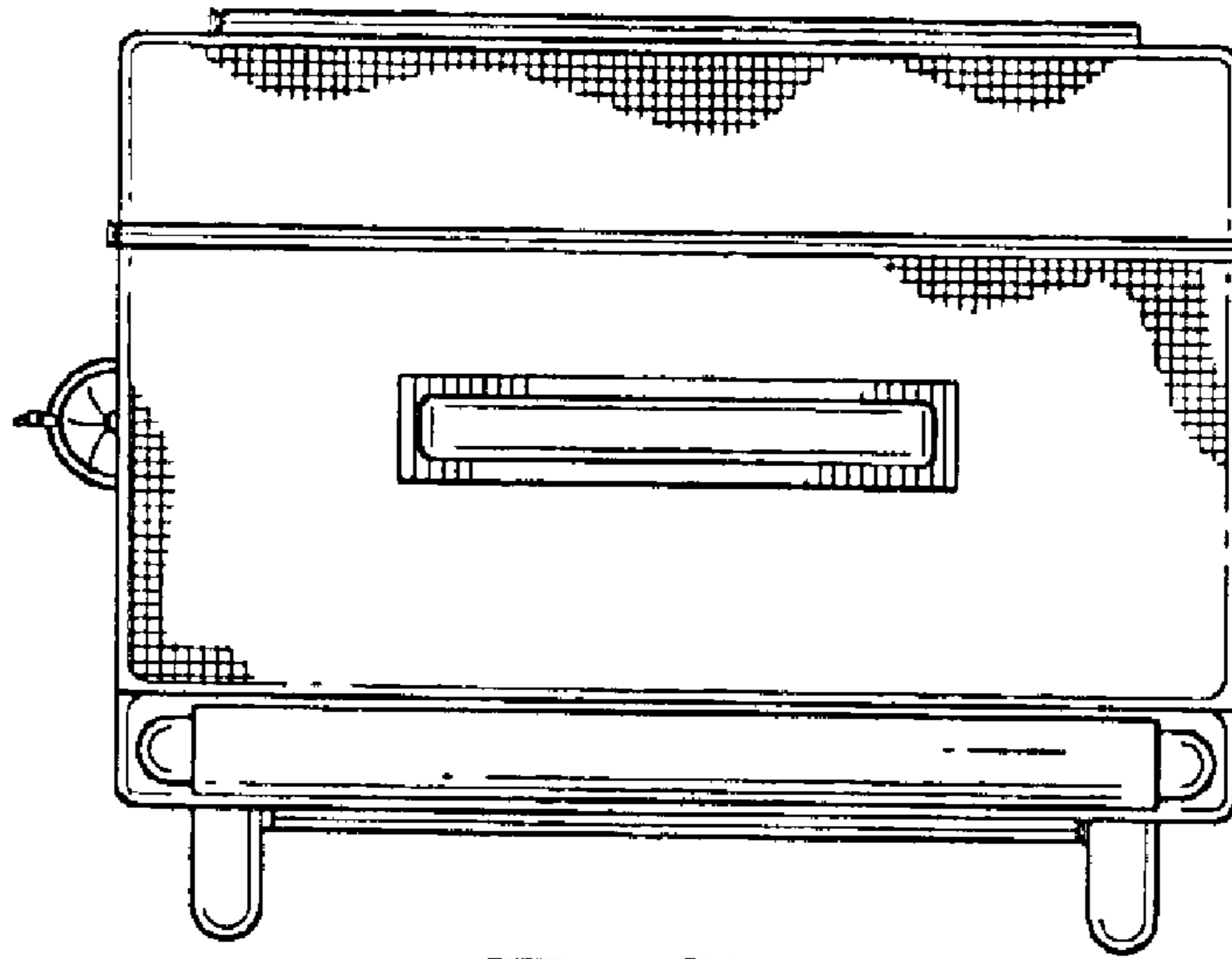


FIG. 3

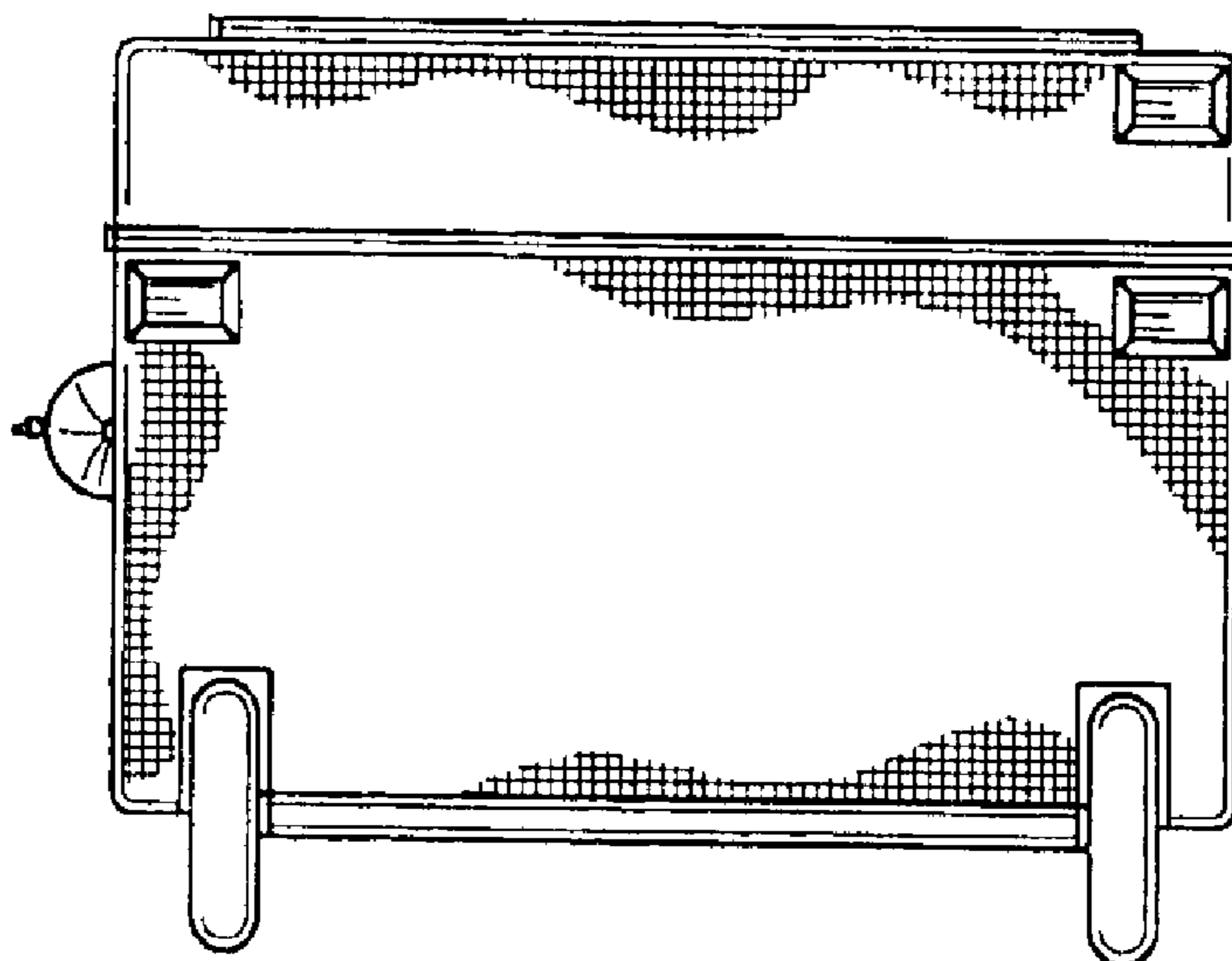


FIG. 4

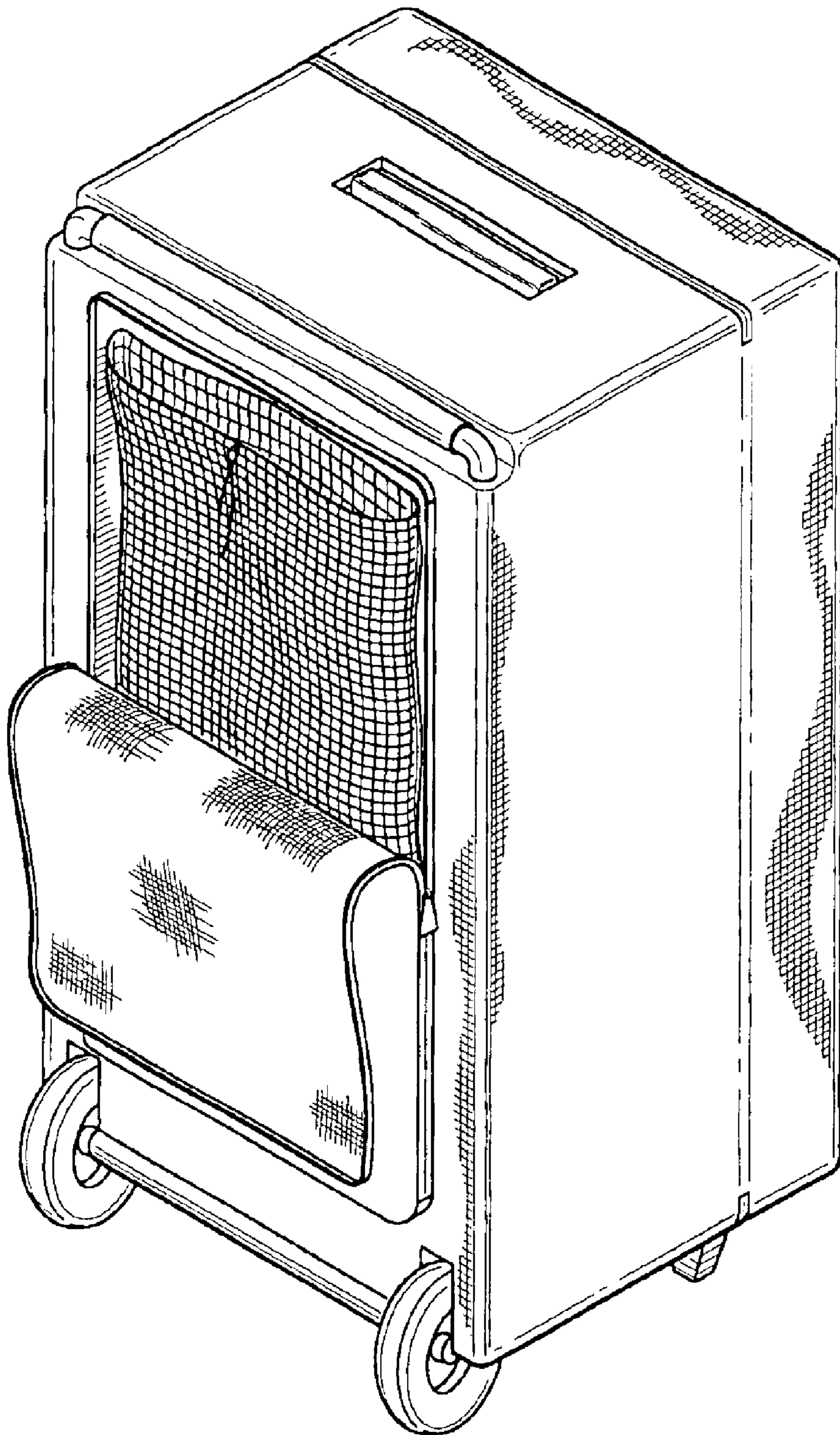


FIG.5

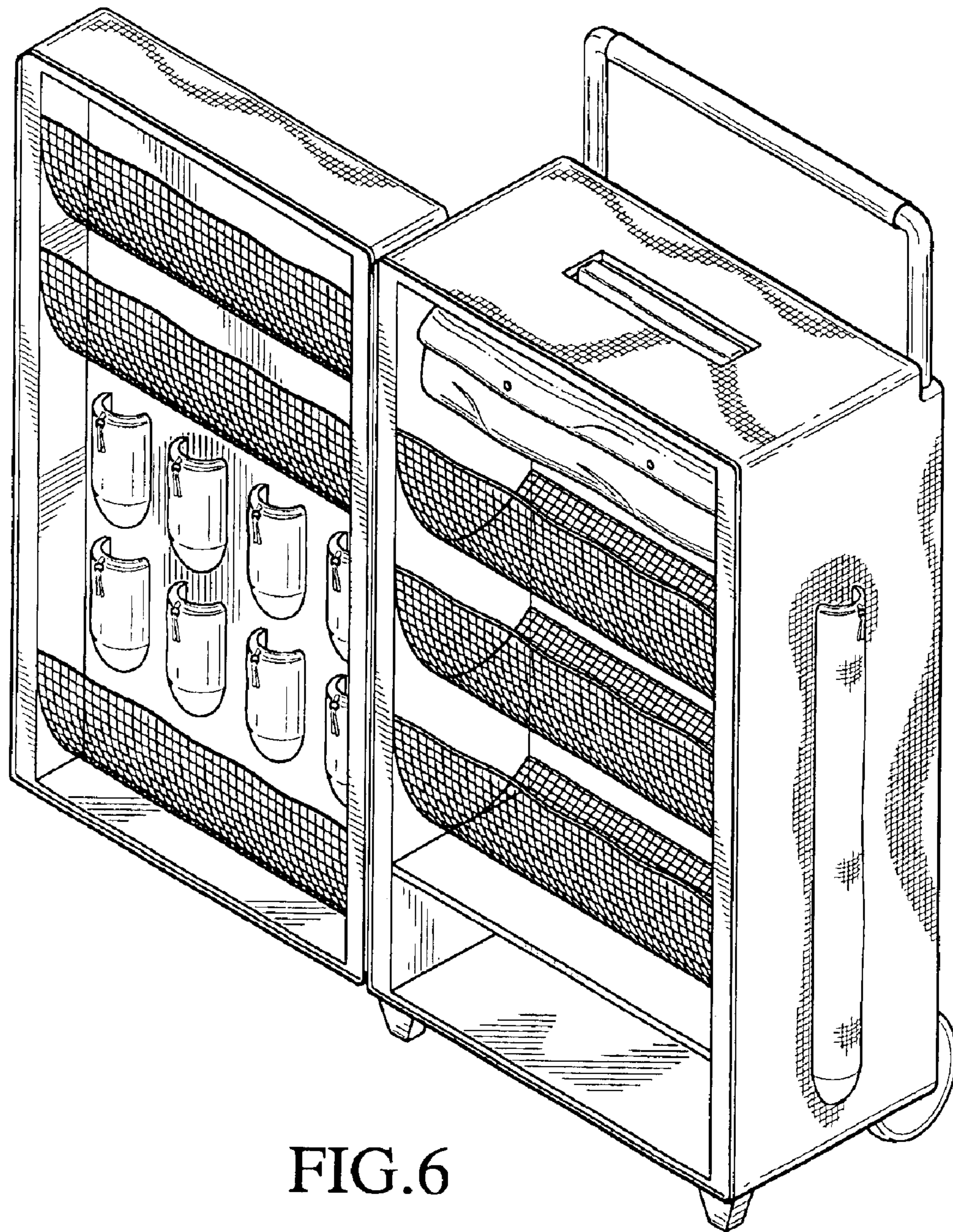


FIG. 6

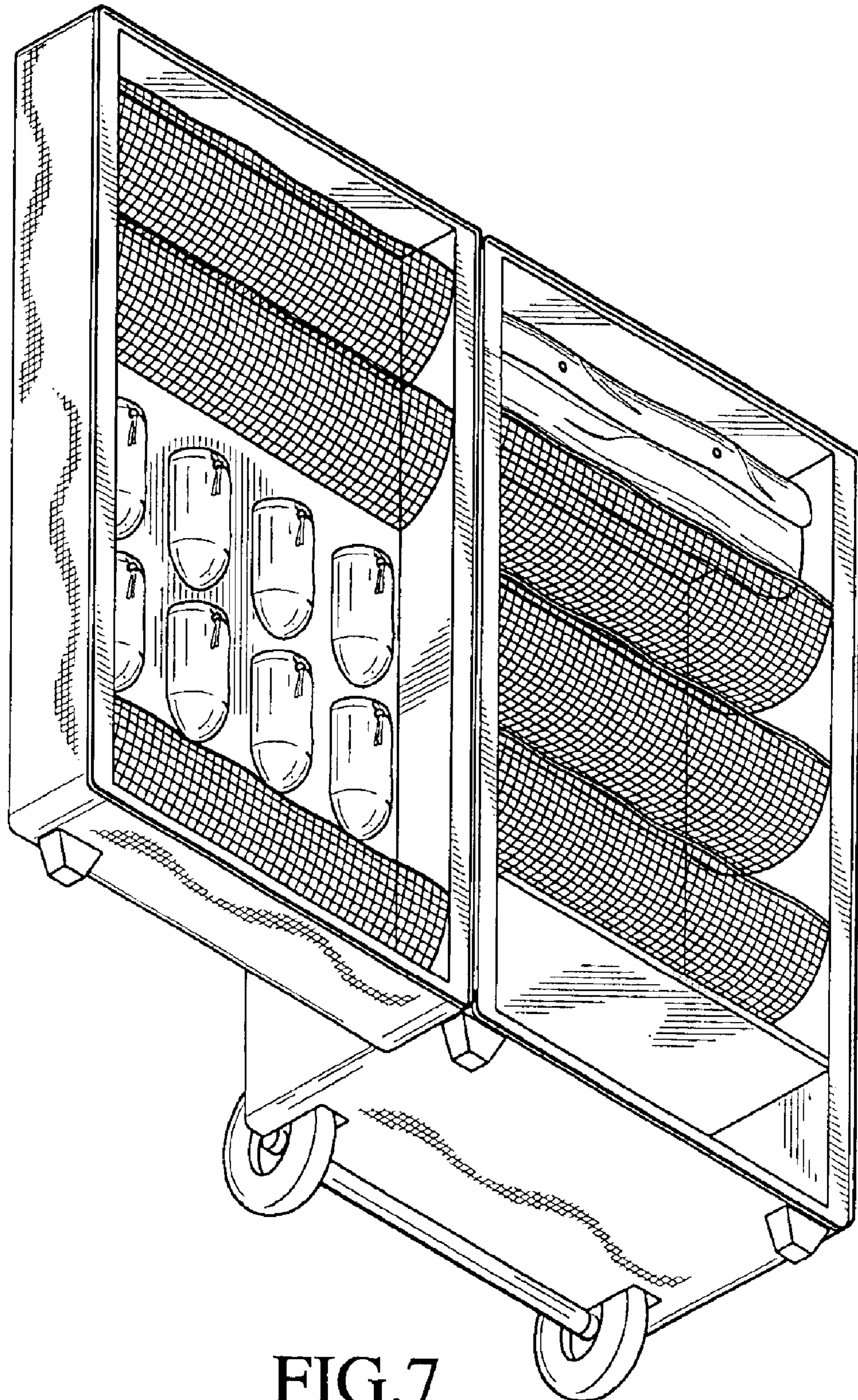


FIG. 7