

US00D507875S

(12) **United States Design Patent** (10) **Patent No.:** **US D507,875 S**
Hillman (45) **Date of Patent:** **** Aug. 2, 2005**

(54) **STORAGE CASE FOR A CAMERA**

(75) Inventor: **Jack L. Hillman**, Colorado Springs,
CO (US)
(73) Assignee: **Case Logic, Inc.**, Longmont, CO (US)
(**) Term: **14 Years**

(21) Appl. No.: **29/174,766**
(22) Filed: **Jan. 24, 2003**

(51) **LOC (8) Cl.** **03-01**
(52) **U.S. Cl.** **D3/267; D3/273; D3/301**
(58) **Field of Search** D3/208, 215, 219,
D3/225, 226, 243, 263, 267, 268, 270,
273, 276, 283, 285, 287, 289, 290, 301;
206/316.1, 316.2; 224/583, 612, 908

(56) **References Cited**

U.S. PATENT DOCUMENTS

D156,685 S	*	12/1949	Weiss	
2,960,137 A	*	11/1960	Lipsitz	
D192,238 S	*	2/1962	Obergfell	
4,138,045 A	*	2/1979	Baker	206/316.2
D273,534 S	*	4/1984	Weinreb	D3/268
D294,081 S	*	2/1988	Ito	D3/219
D312,530 S	*	12/1990	Gallen et al.	D3/268
4,976,352 A	*	12/1990	Nordstrom	206/316.2
D325,126 S	*	4/1992	Costello	D3/203
D423,212 S	*	4/2000	Sakurai et al.	D3/267
D454,428 S	*	3/2002	Hillman	D3/219
D455,547 S	*	4/2002	Hillman	D3/219
D457,723 S	*	5/2002	Tyler	D3/267
D458,024 S	*	6/2002	Tyler	D3/267
D458,447 S	*	6/2002	Tyler	D3/267
D459,879 S	*	7/2002	Tyler	D3/267
D465,647 S	*	11/2002	Suzuki	D3/268

OTHER PUBLICATIONS

U.S. Appl. No. 29/173,884, filed Jan. 7, 2003, Hillman.
Tamrac 20th Anniversary Catalog, p. 50.
Samsonite Photo Video Bags (German) Catalog, Trekking p.
190.
Lowepro2000 Catalog, p. 43.
* cited by examiner

Primary Examiner—Celia Murphy
(74) *Attorney, Agent, or Firm*—Sheridan Ross P.C.

(57) **CLAIM**

The ornamental design for a storage case for a camera, as shown and described.

DESCRIPTION

FIG. 1 is a front perspective view of a storage case for a camera showing my new design, the broken lines on the surface of the bag throughout the views being understood to represent stitching, and the broken lines showing a belt clip and closure pulls in FIGS. 2–8 representing those portions of the design that form no part of the claim;

FIG. 2 is a top plan view of the invention illustrated in FIG. 1;

FIG. 3 is a front elevation view of the invention illustrated in FIG. 1;

FIG. 4 is a rear elevation view of the invention illustrated in FIG. 1;

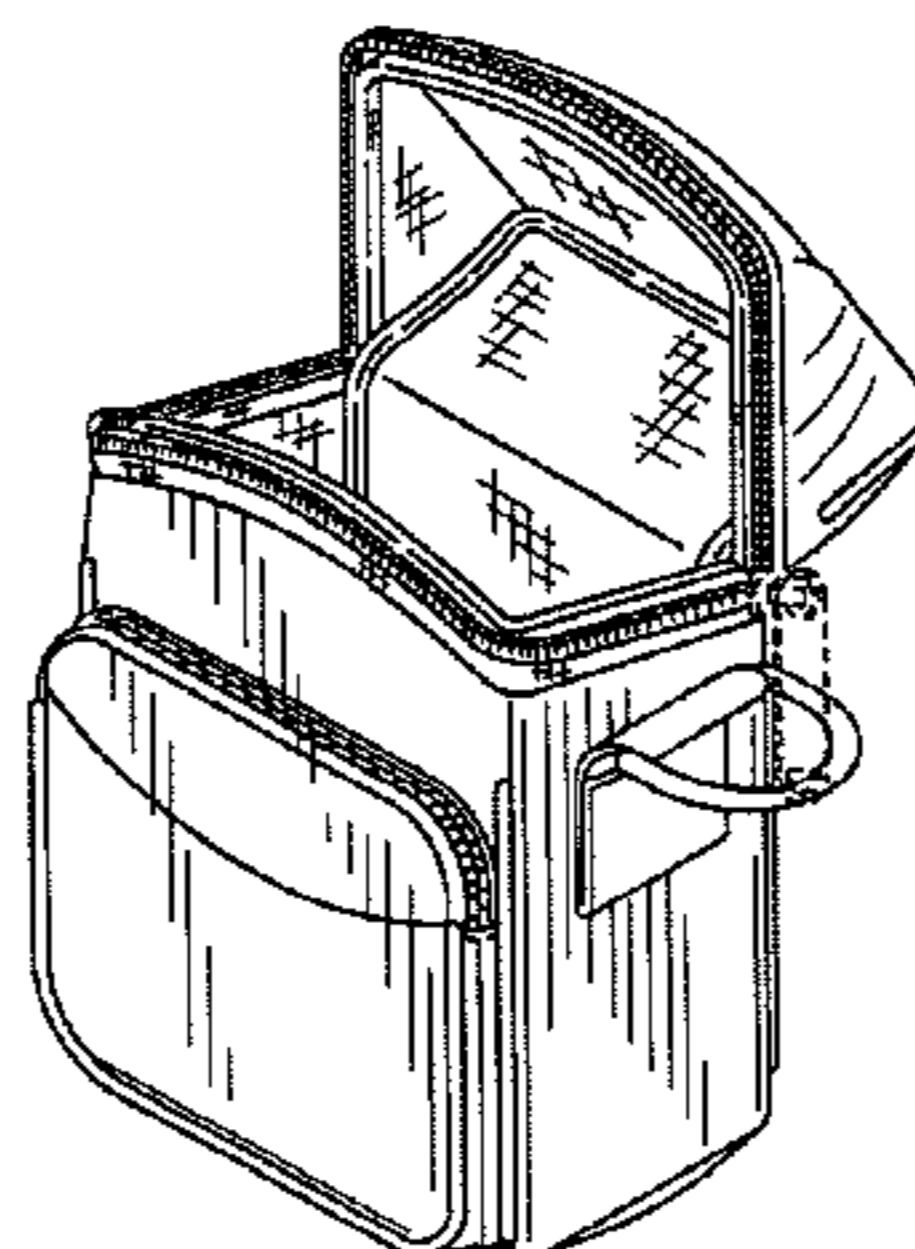
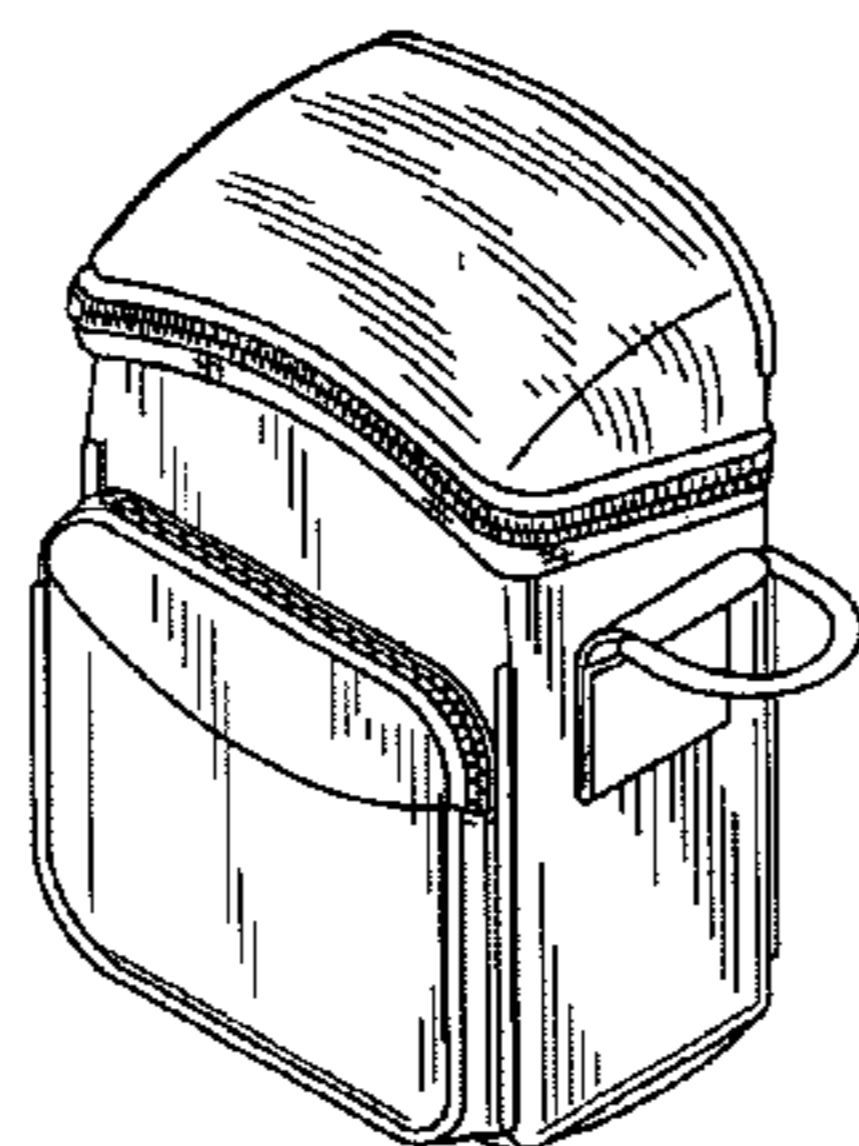
FIG. 5 is left elevation view of the invention illustrated in FIG. 1;

FIG. 6 is a right elevation view of the invention illustrated in FIG. 1;

FIG. 7 is a bottom plan view of the invention illustrated in FIG. 1; and,

FIG. 8 is a front perspective view of the invention illustrated in FIG. 1, shown in an open position.

1 Claim, 2 Drawing Sheets



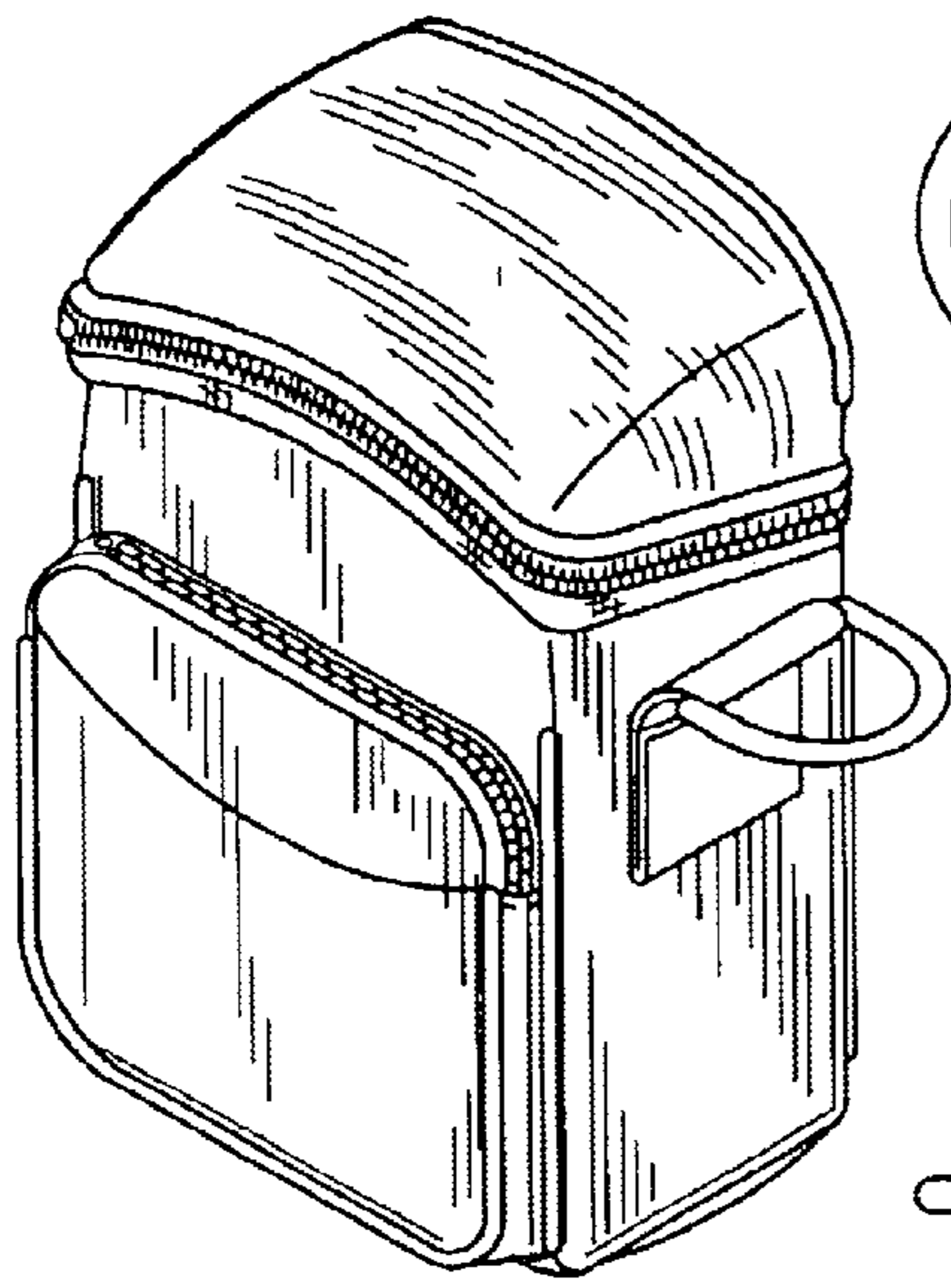


Fig. 1

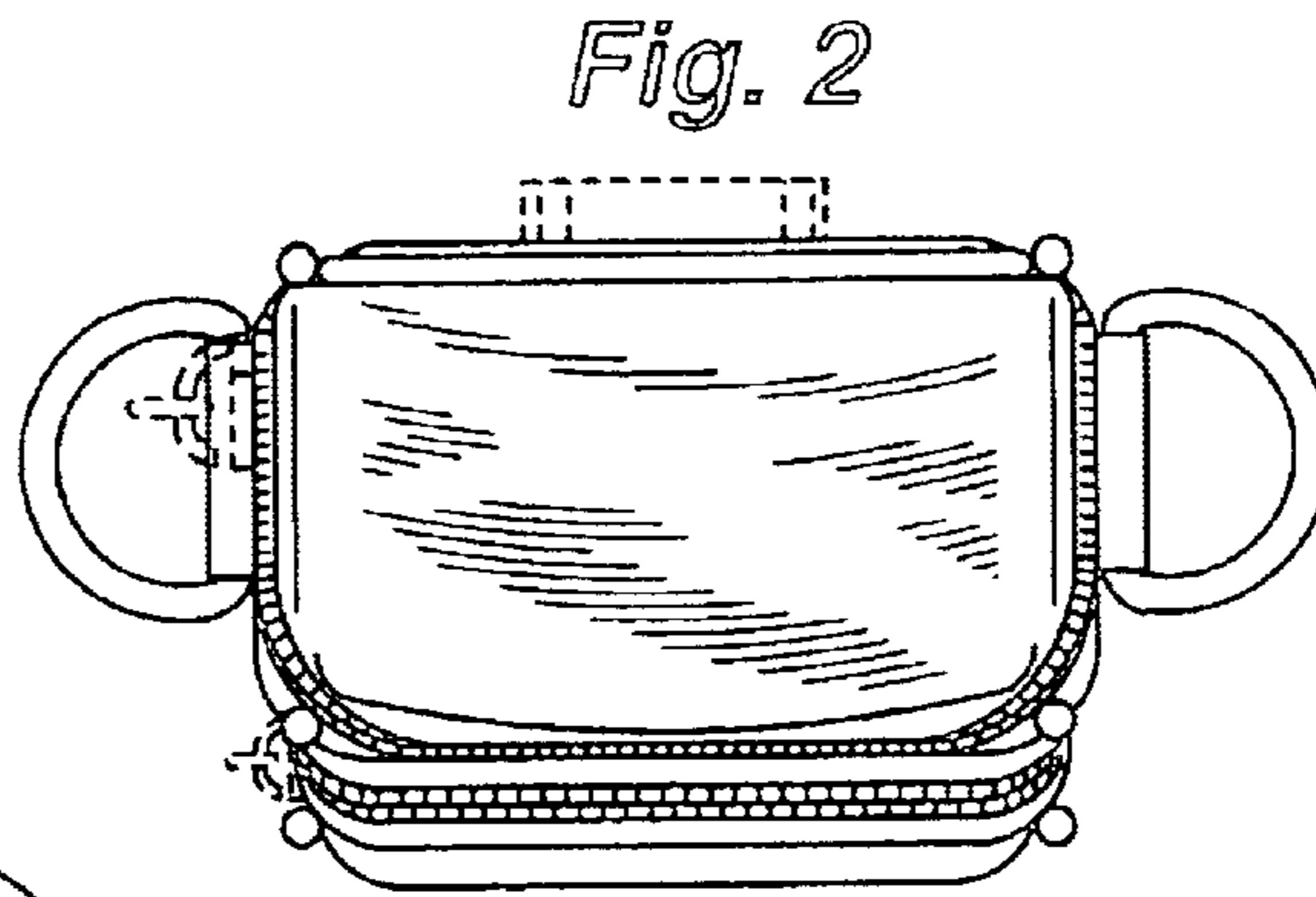


Fig. 2

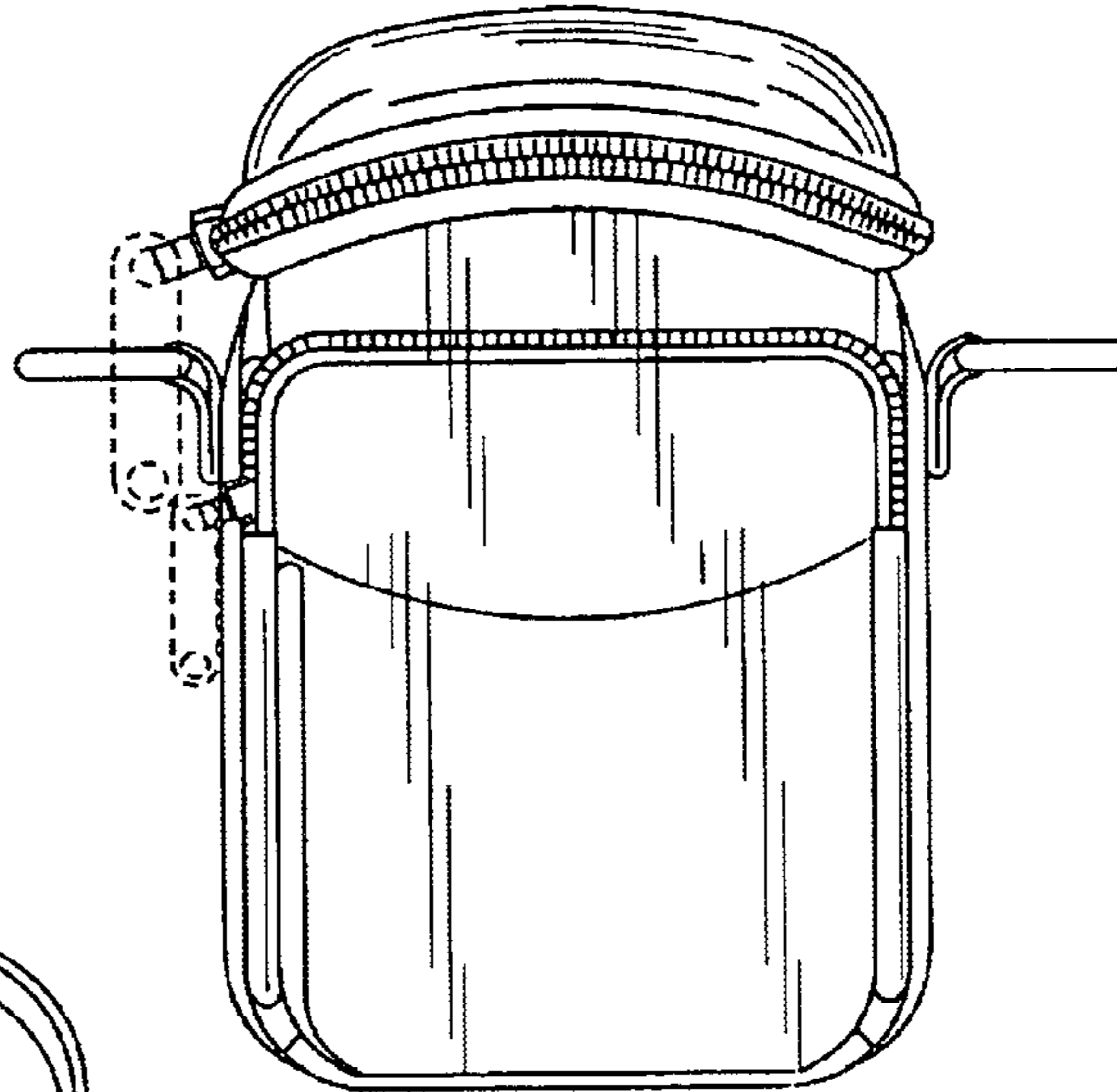


Fig. 3

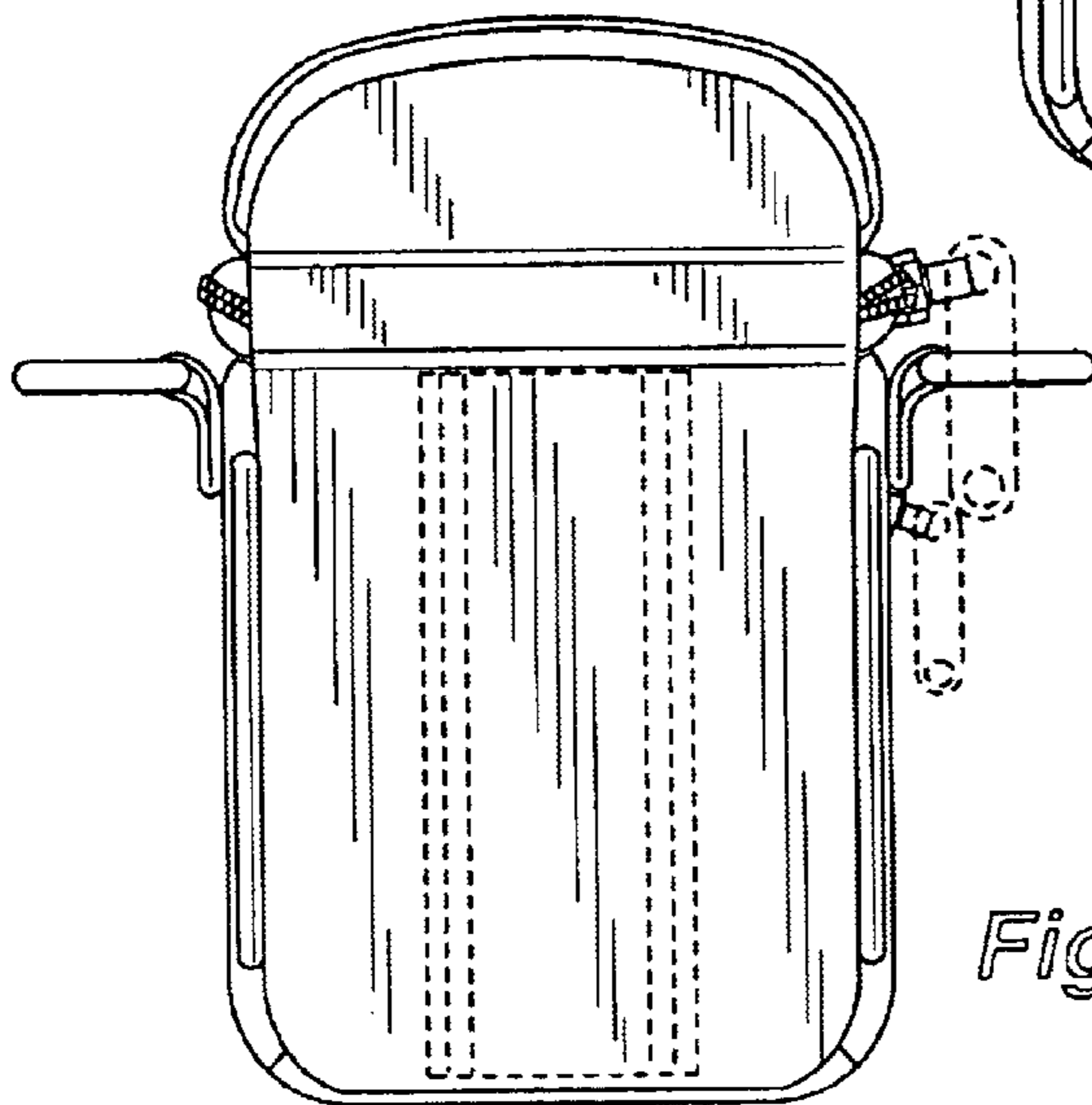


Fig. 4

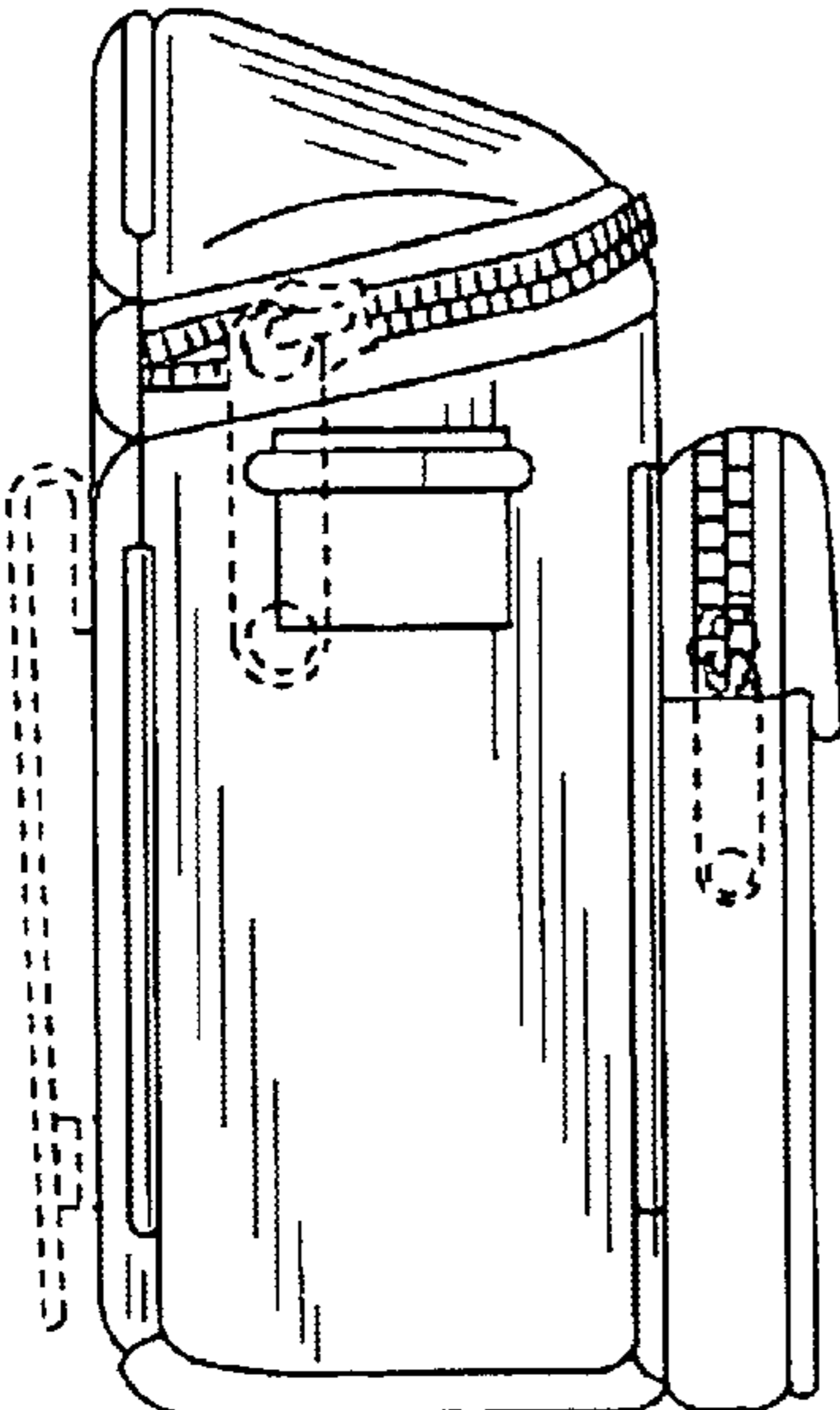


Fig. 5

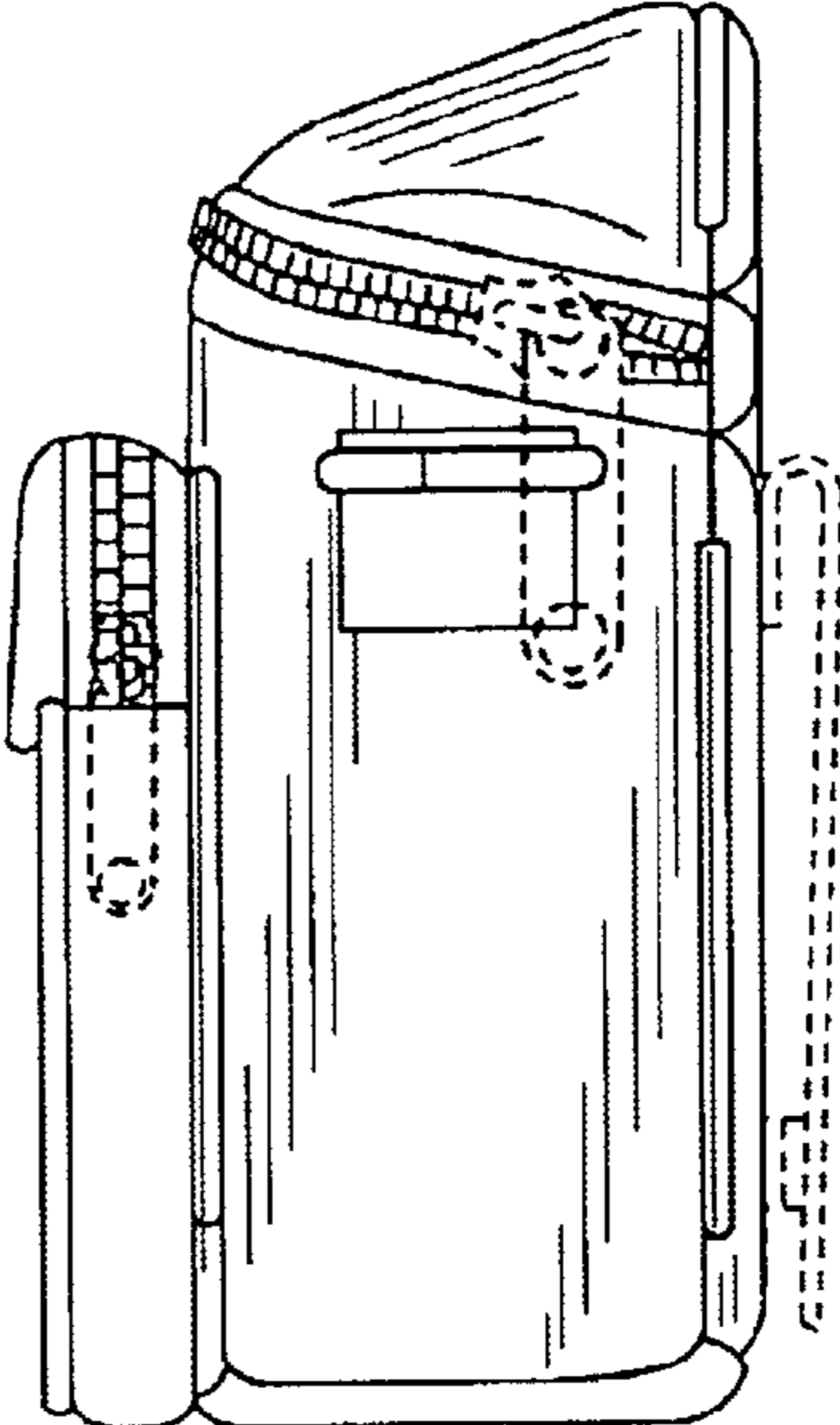


Fig. 6

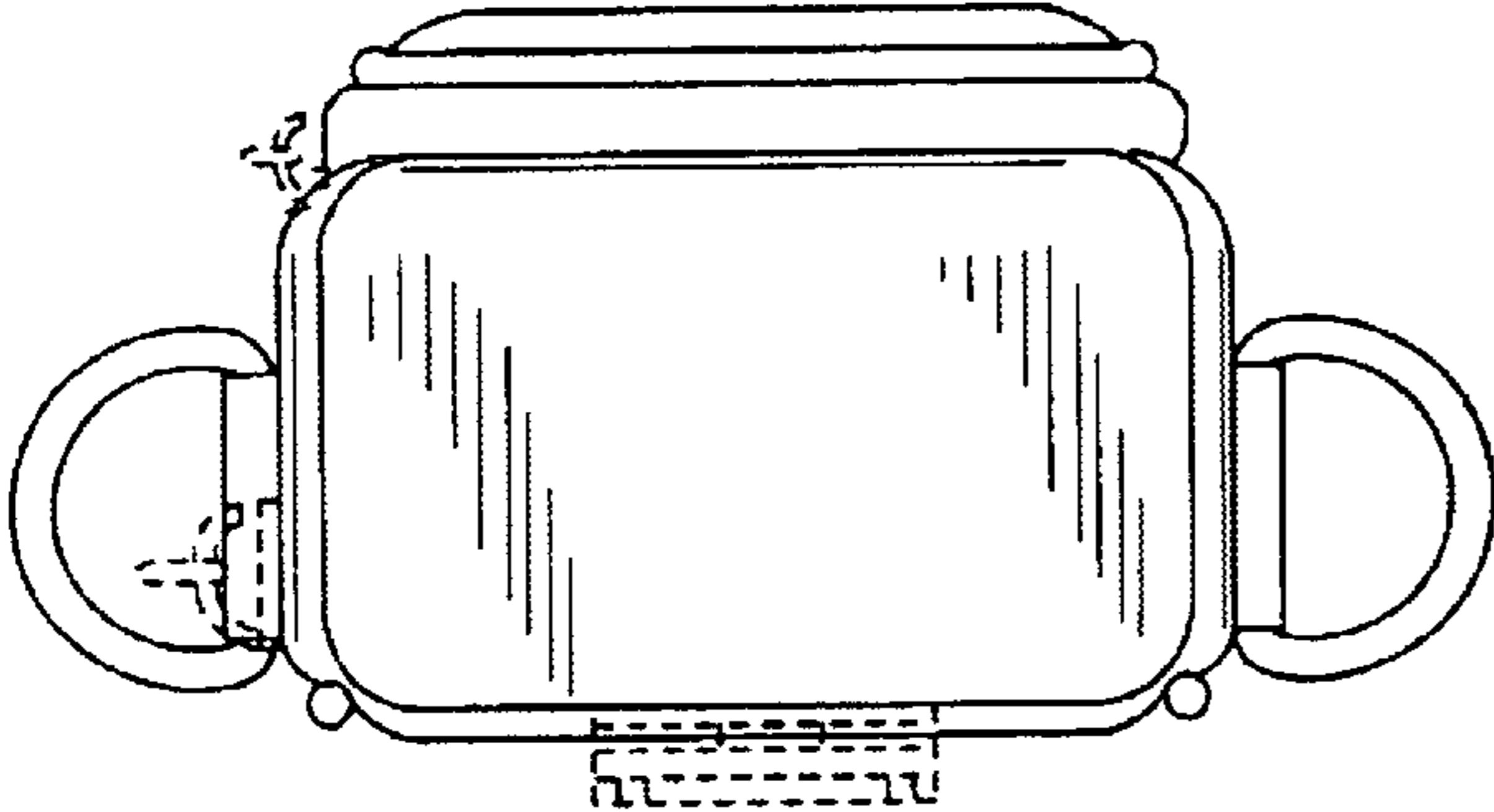


Fig. 7

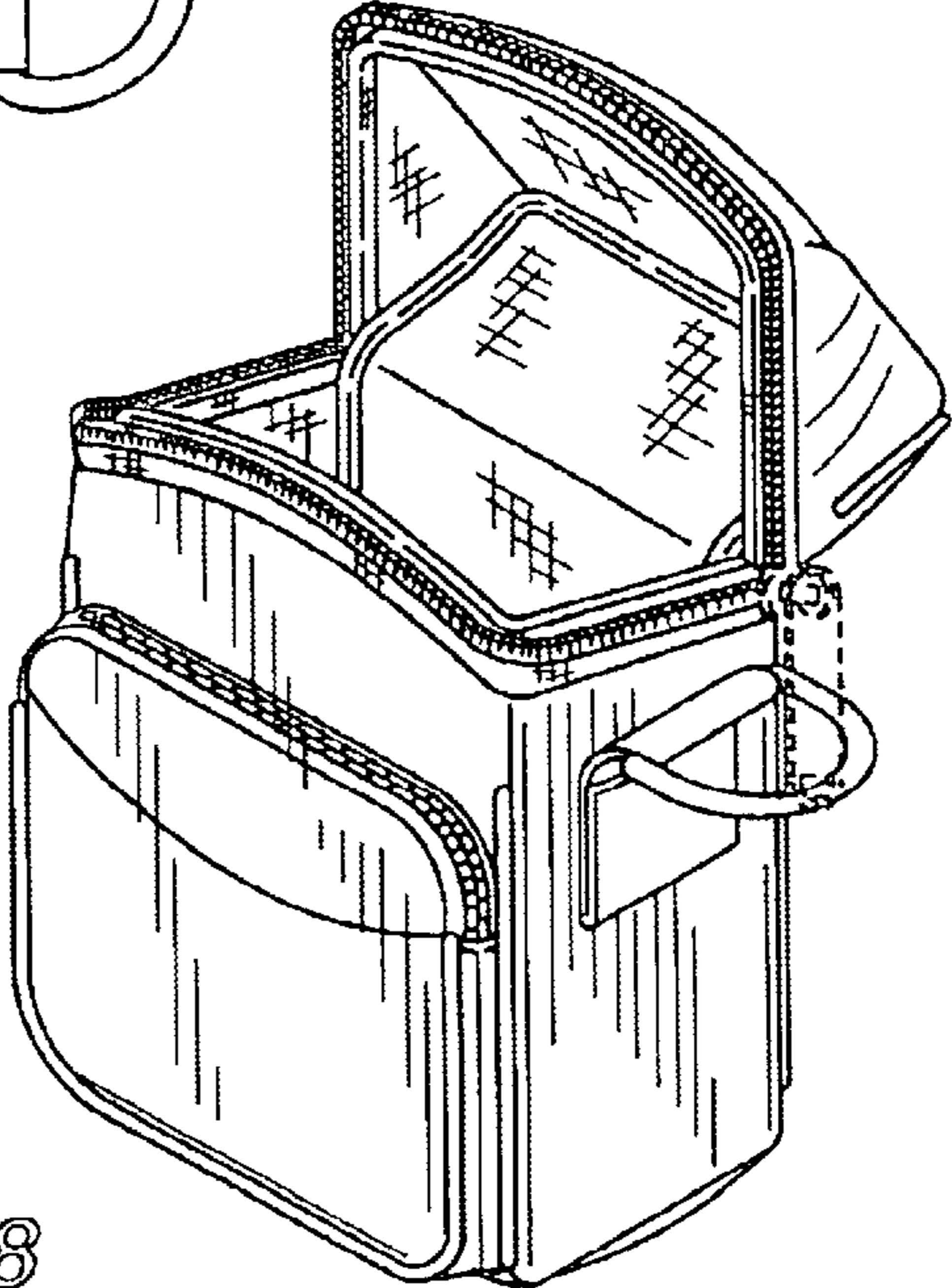


Fig. 8