



US00D507855S

(12) **United States Design Patent**  
**Libman et al.**

(10) **Patent No.:** **US D507,855 S**  
(45) **Date of Patent:** **\*\* Jul. 26, 2005**

(54) **MOP**

(75) Inventors: **Robert J. Libman**, Champaign, IL (US); **Enzo Berti**, Dolo/Venice (IT)

(73) Assignee: **The Libman Company**, Arcola, IL (US)

(\*\*) Term: **14 Years**

(21) Appl. No.: **29/182,258**

(22) Filed: **May 22, 2003**

(51) **LOC (8) Cl.** ..... **04-01**

(52) **U.S. Cl.** ..... **D32/50; D4/199**

(58) **Field of Search** ..... D4/116, 121; D32/42, D32/44, 50, 51; 15/114, 115, 116.1, 116.2, 119.1, 119.2, 147.1, 228, 146, 159.1, 160

(56) **References Cited**

**U.S. PATENT DOCUMENTS**

- D199,023 S \* 9/1964 Auwarter ..... D32/50
- D274,565 S \* 7/1984 Smith et al. .... D32/44
- D336,699 S \* 6/1993 Murphy ..... D32/44
- D351,267 S 10/1994 Libman
- D401,702 S 11/1998 Berti
- D446,896 S \* 8/2001 Cann ..... D32/50 X

**FOREIGN PATENT DOCUMENTS**

AU 9741892 A \* 4/1998 ..... A47L/13/257

\* cited by examiner

*Primary Examiner*—Alan P. Douglas  
*Assistant Examiner*—Lavone D. Tabor

(74) *Attorney, Agent, or Firm*—Banner & Witcoff, Ltd.

(57) **CLAIM**

The ornamental design for a mop, as shown and described.

**DESCRIPTION**

FIG. 1 is a perspective view of a mop in accordance with the present invention;

FIG. 2 is a side view of the mop seen in FIG. 1; the opposite side view being a mirror image thereof;

FIG. 3 is a front view of the mop;

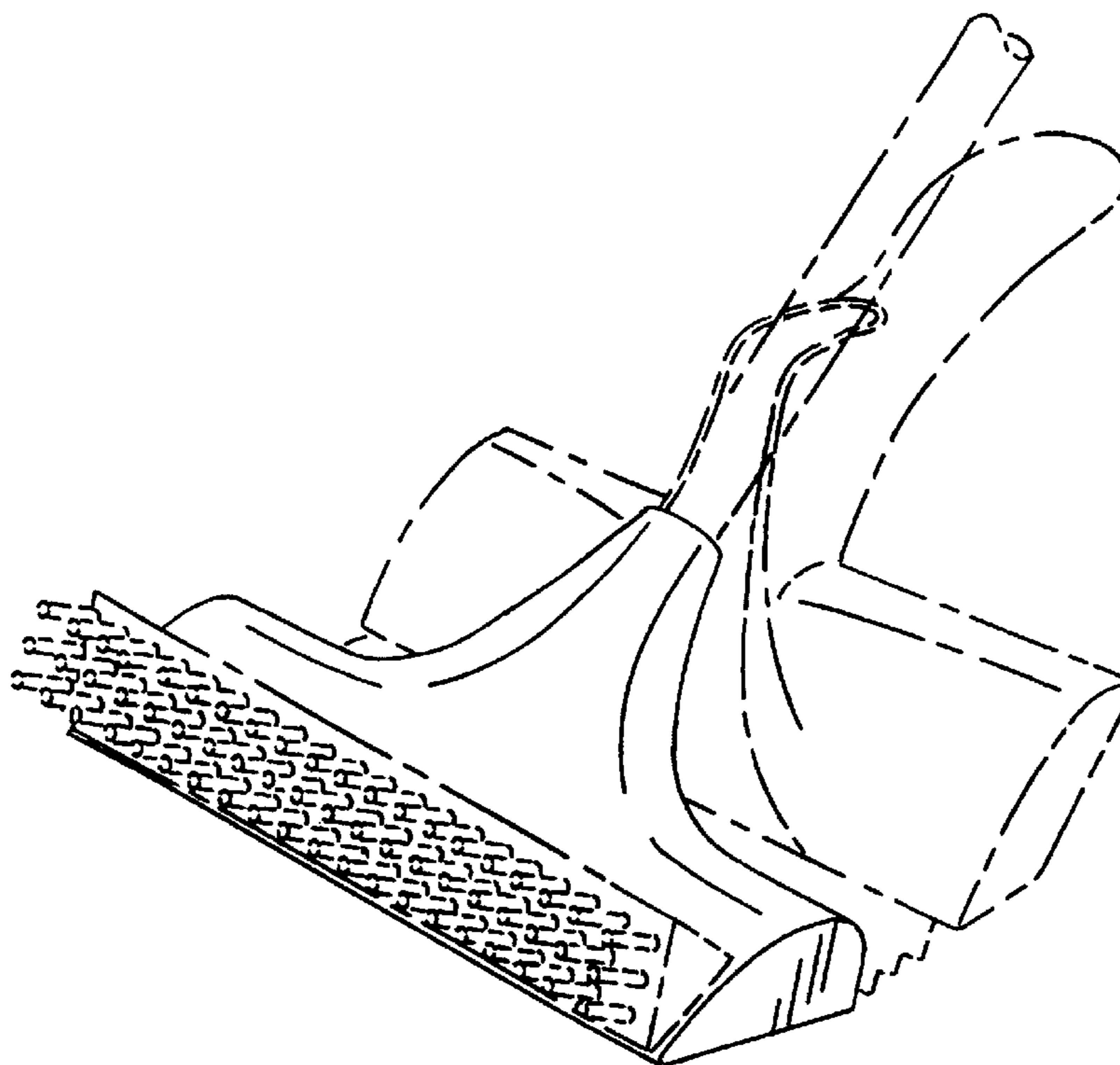
FIG. 4 is another perspective view of the mop as seen in FIG. 1, with the unclaimed portions shown in FIG. 1 removed to show the underlying detail;

FIG. 5 is another side view of the mop as seen in FIG. 2, with the unclaimed portions shown in FIG. 2 removed to show the underlying detail; and

FIG. 6 is another front view of the mop as seen in FIG. 3, with the unclaimed portions shown in FIG. 3 removed to show the underlying detail.

The broken lines are for environmental purposes, and do not form part of the claimed design.

**1 Claim, 4 Drawing Sheets**



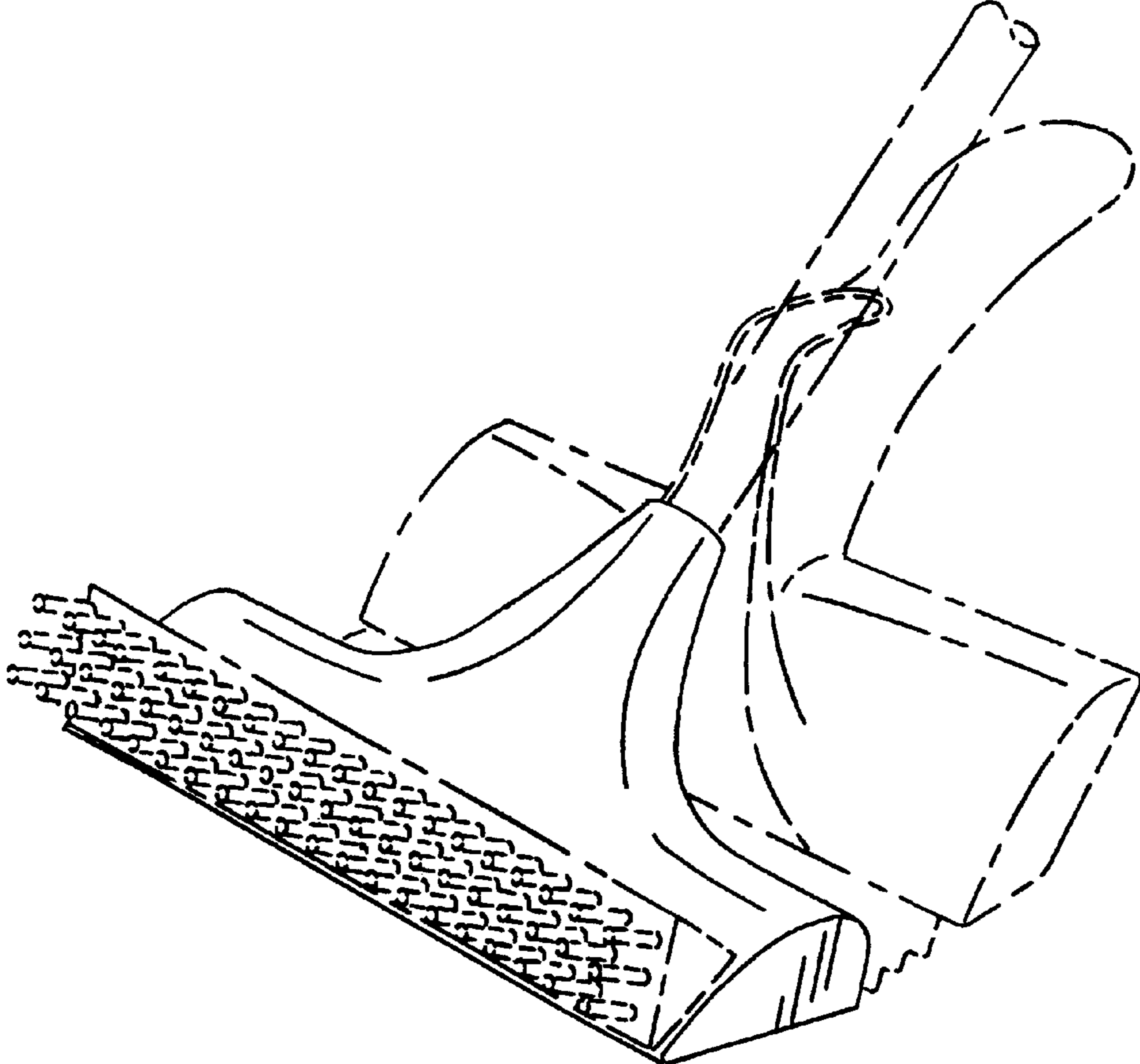


FIG. 1

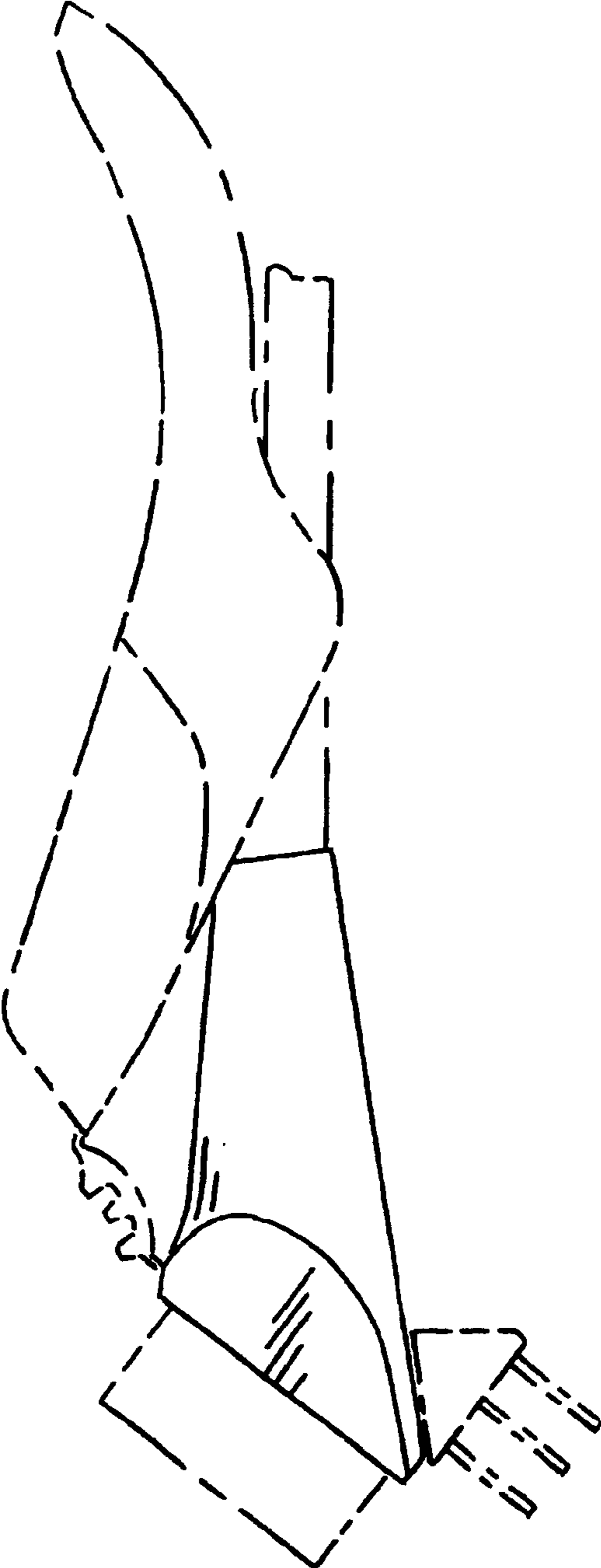


FIG. 2

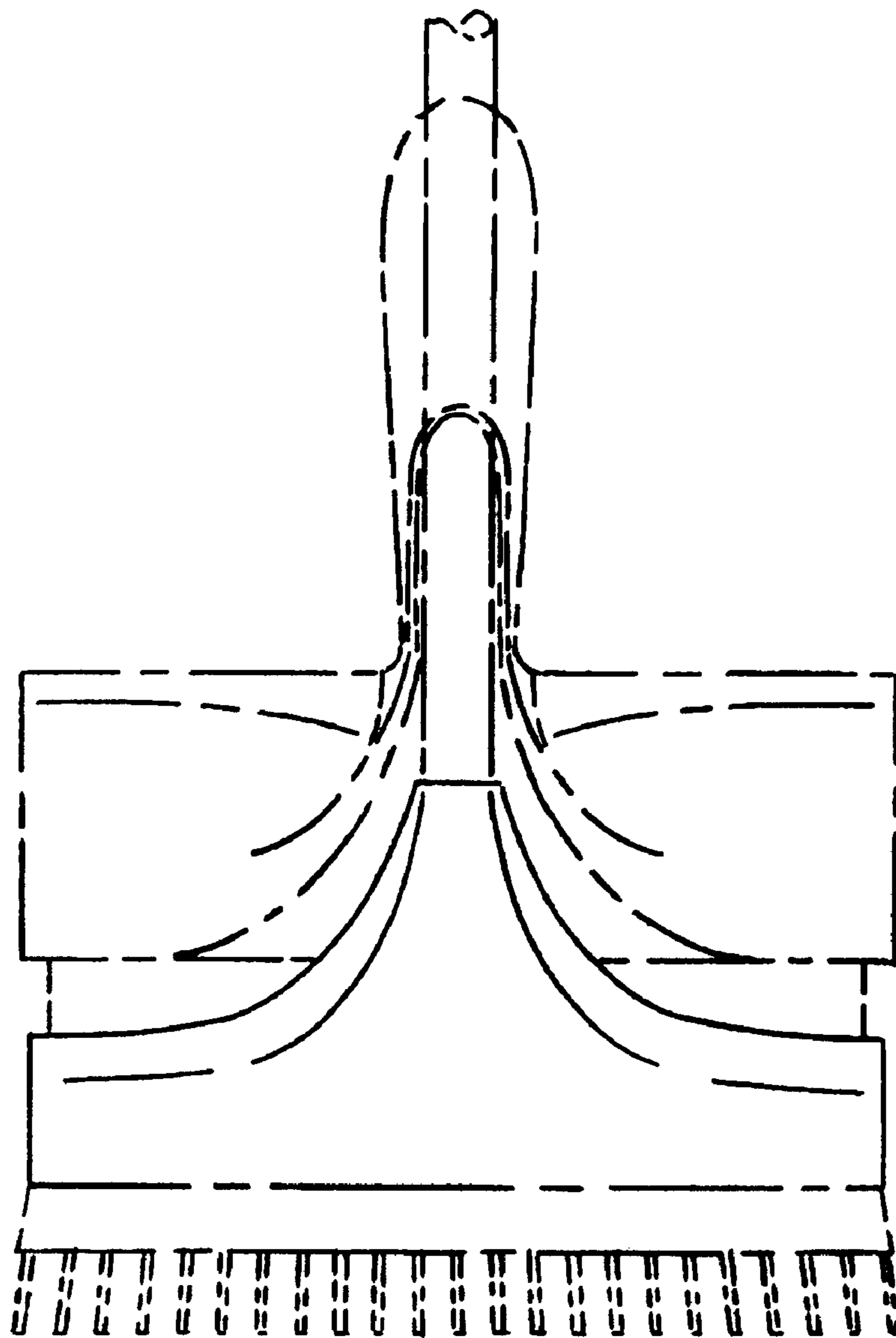


FIG. 3

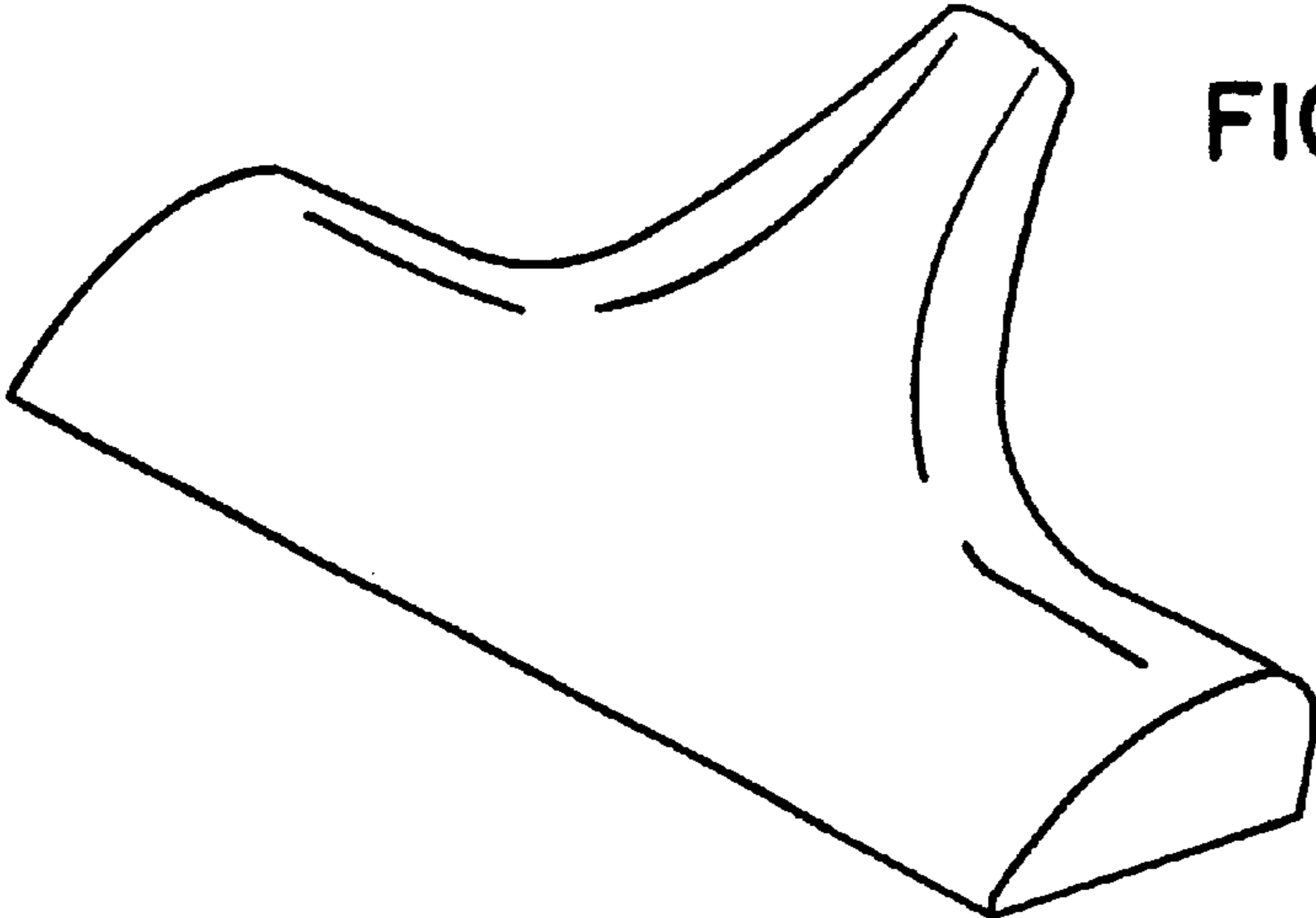


FIG. 4

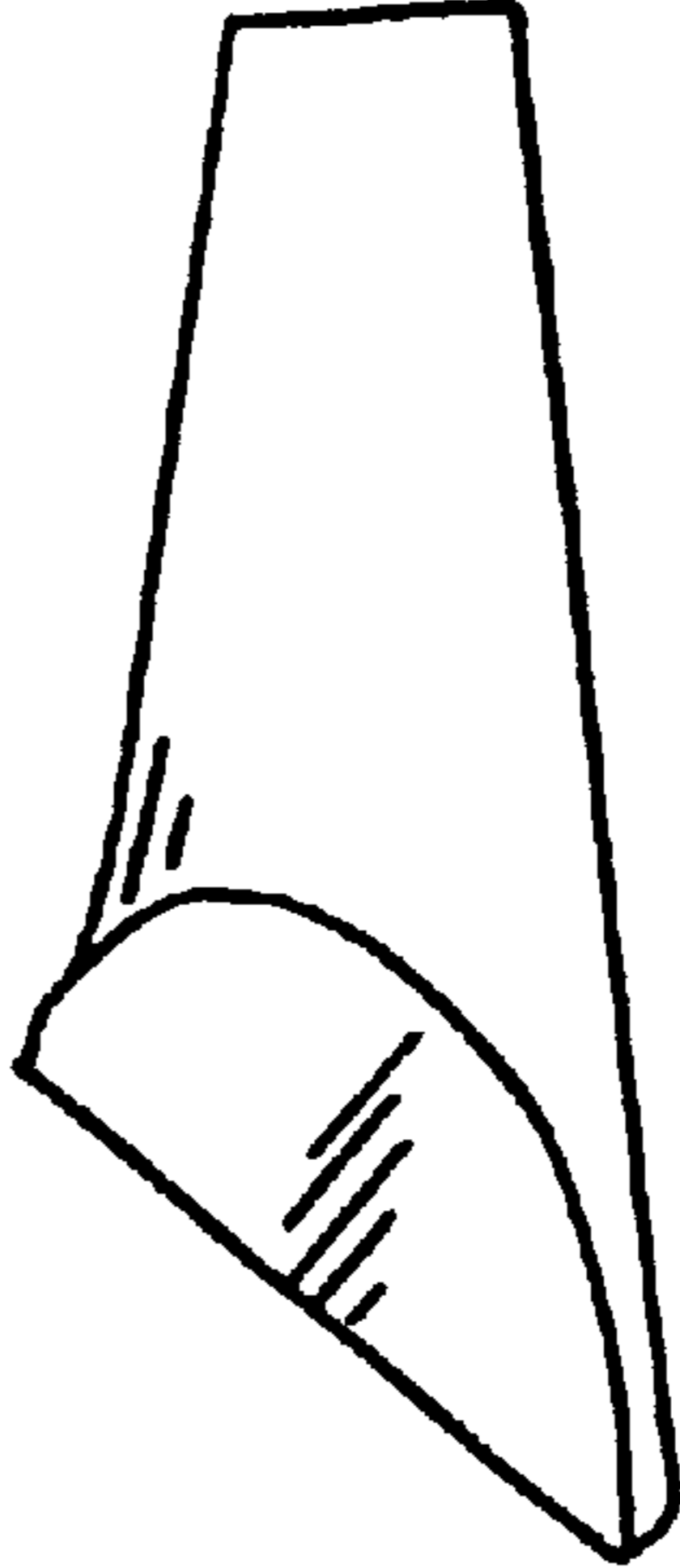


FIG. 5

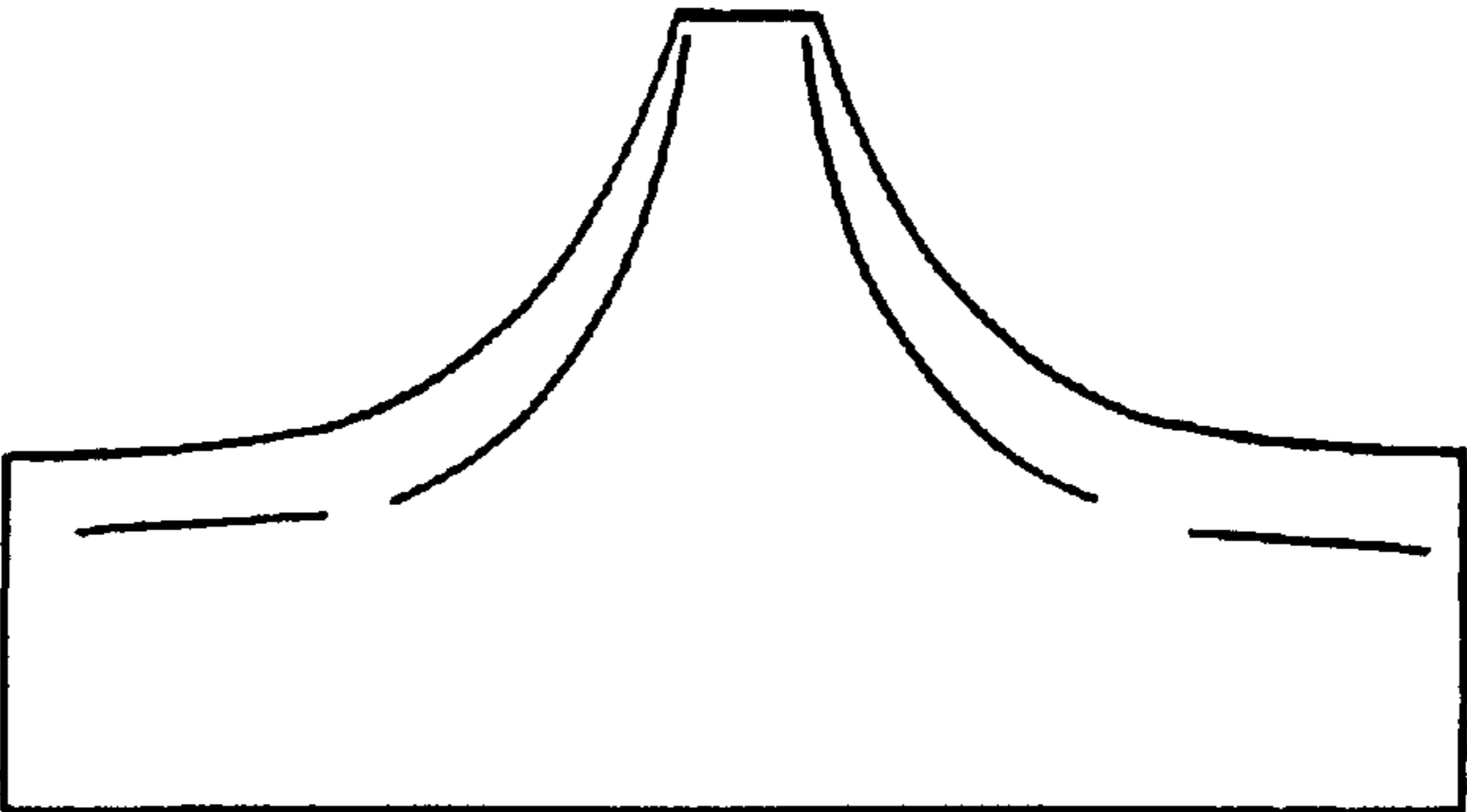


FIG. 6