

US00D507849S

(12) **United States Design Patent**
Lee

(10) **Patent No.:** **US D507,849 S**
(45) **Date of Patent:** **** Jul. 26, 2005**

(54) **ARTIFICIAL HAIR BINDER**

(75) Inventor: **Man Taek Lee**, Seoul (KR)

(73) Assignee: **Asia Electronics Co.**, Seoul (KR)

(**) Term: **14 Years**

(21) Appl. No.: **29/196,767**

(22) Filed: **Jan. 6, 2004**

(51) **LOC (8) Cl.** **28-03**

(52) **U.S. Cl.** **D28/10**

(58) **Field of Search** **D28/10, 35, 38;**
132/201; 219/222-226

(56) **References Cited**

U.S. PATENT DOCUMENTS

6,135,124 A	*	10/2000	Grant	132/201
2004/0011372 A1	*	1/2004	Park	132/201
2004/0103910 A1	*	6/2004	Ott	132/201

* cited by examiner

Primary Examiner—Jennifer Rivard

(74) *Attorney, Agent, or Firm*—Dykema Gossett PLLC

(57) **CLAIM**

The ornamental design for artificial hair binder, as shown and described.

DESCRIPTION

FIG. 1 is a perspective view of a artificial hair binder;

FIG. 2 is a front view;

FIG. 3 is a rear view;

FIG. 4 is a side elevational view;

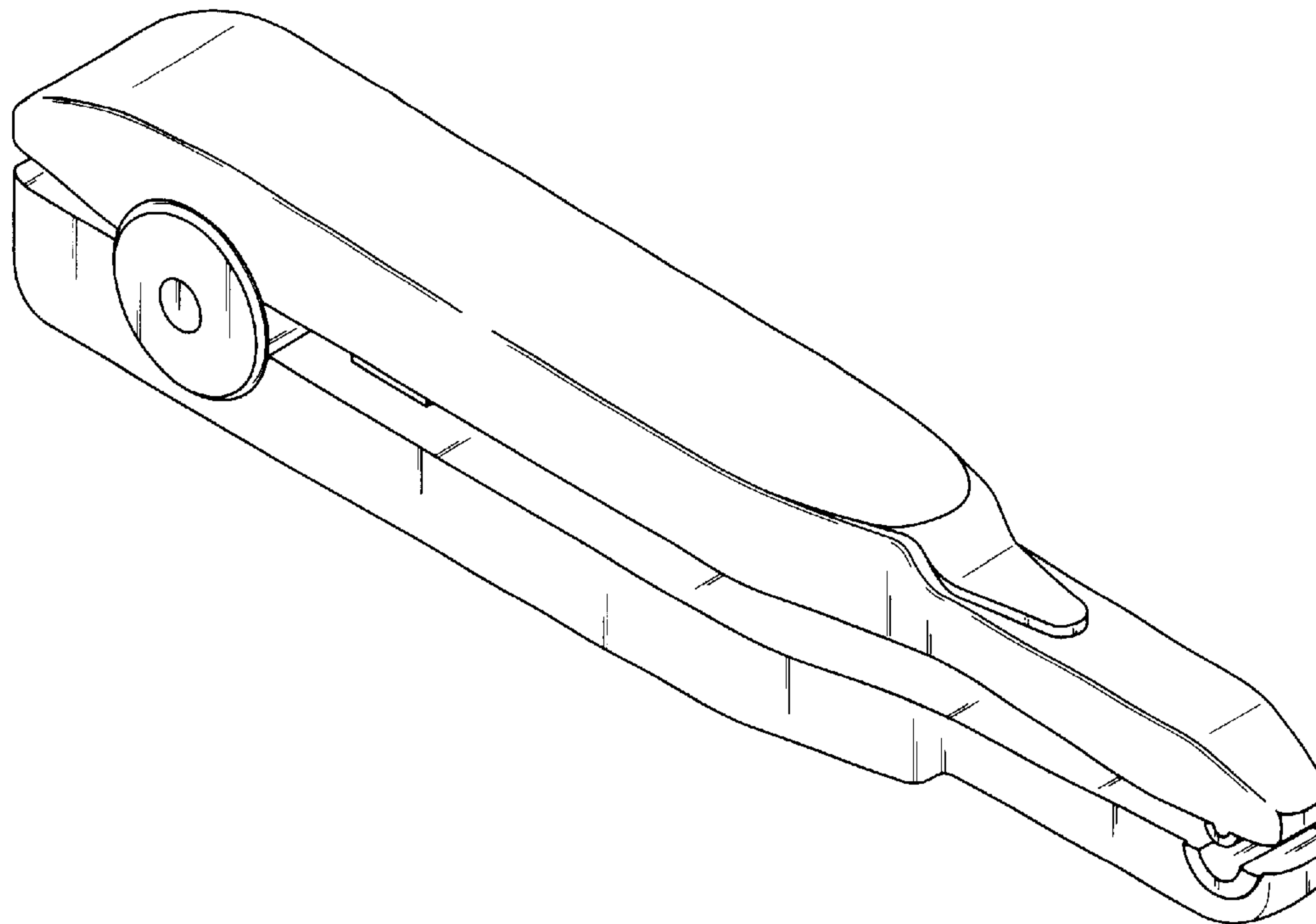
FIG. 5 is a top view;

FIG. 6 is a bottom view; and,

FIG. 7 is an opposite side elevational view.

The cord is disclosed broken away to indicate indeterminate length.

1 Claim, 3 Drawing Sheets



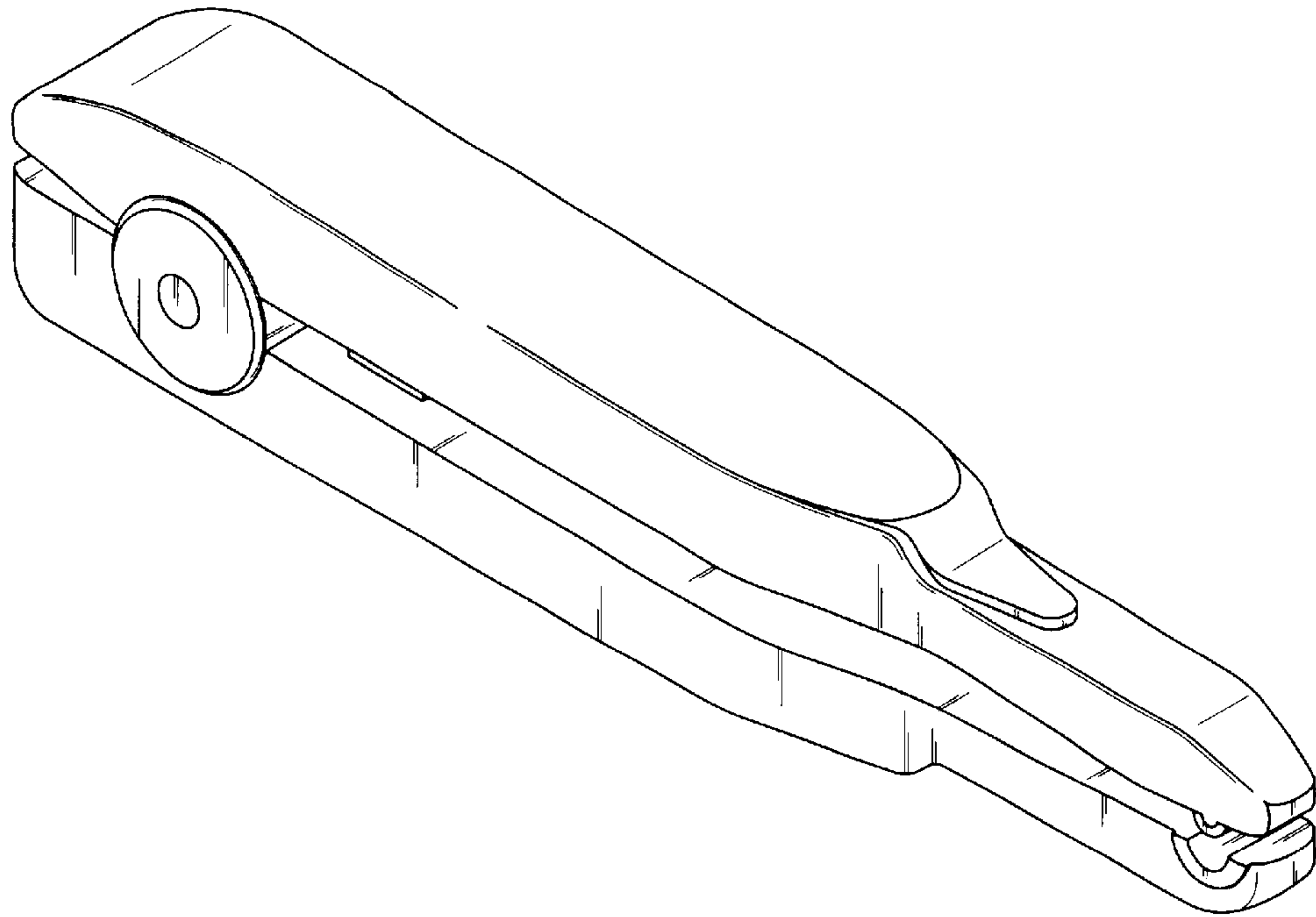


FIG. 1

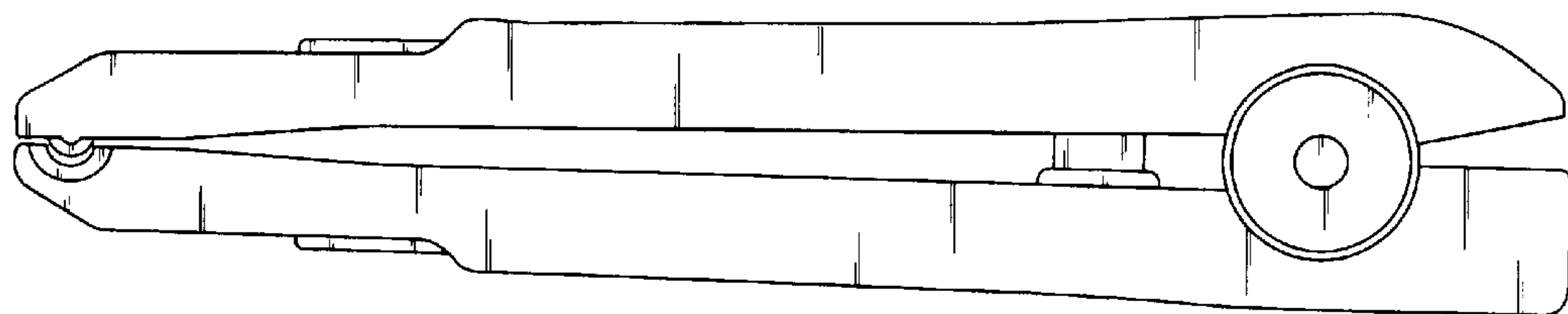


FIG. 7

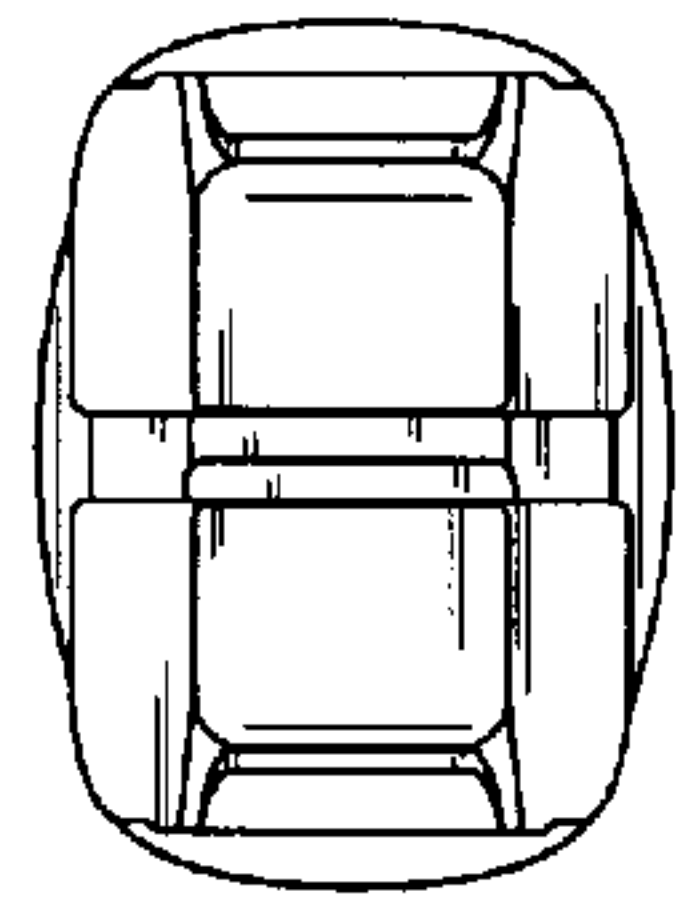


FIG. 2

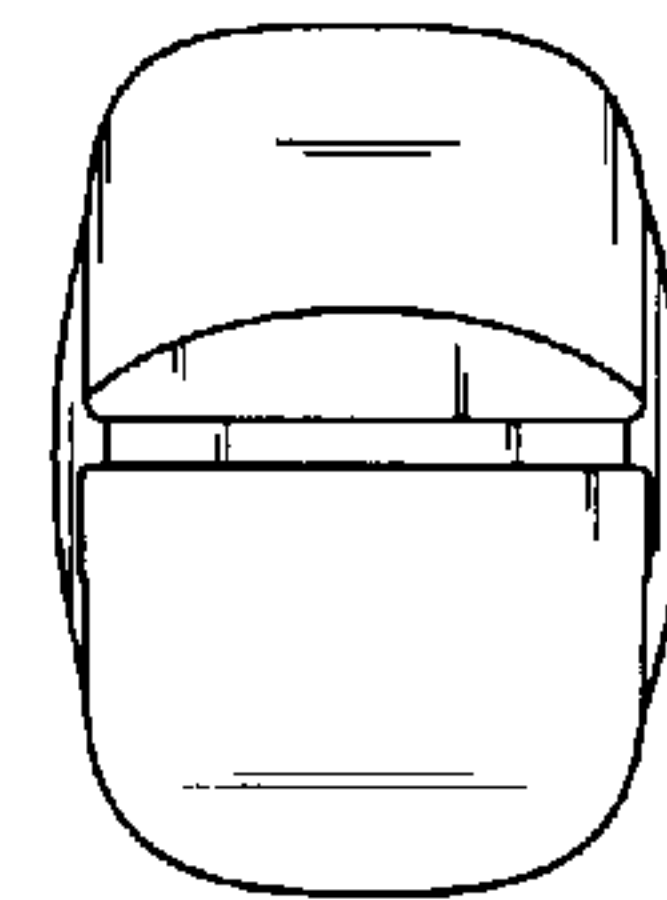


FIG. 3

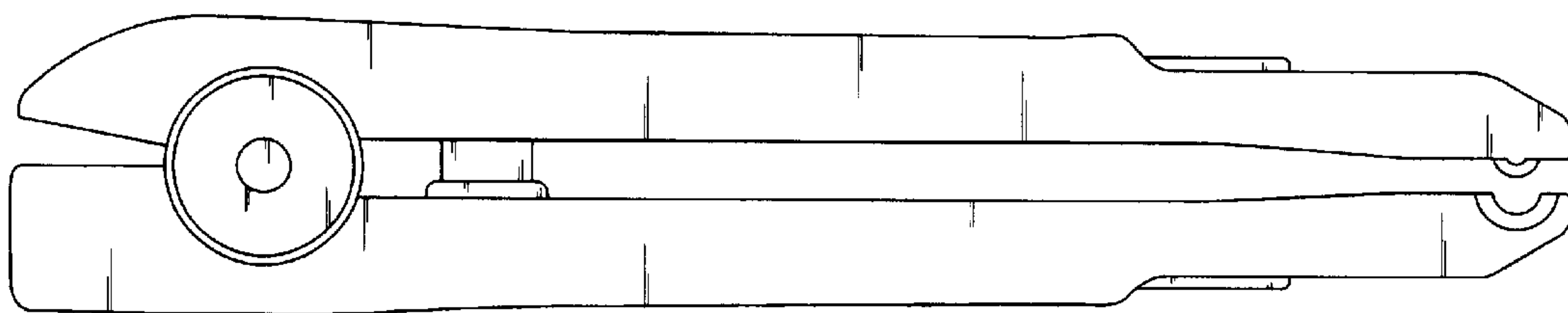


FIG. 4

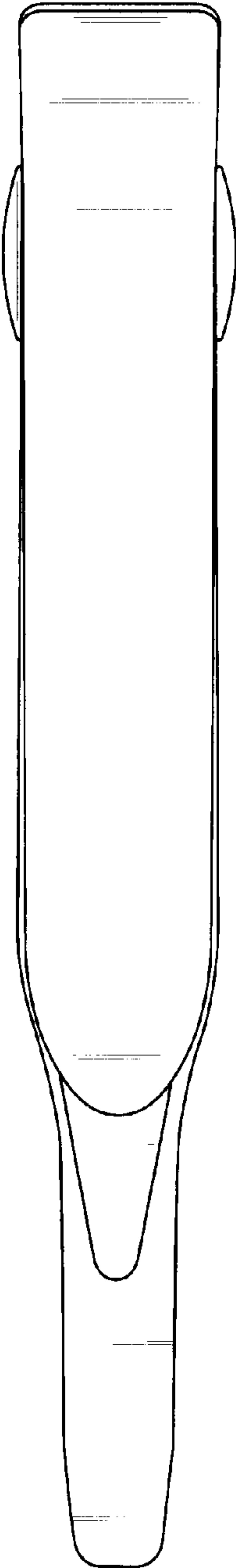


FIG. 5

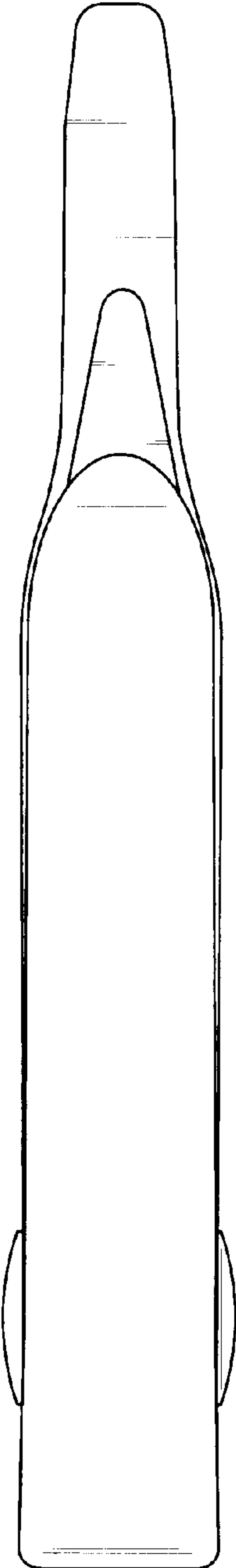


FIG. 6