

US00D507844S

(12) **United States Design Patent**
Friedman

(10) **Patent No.: US D507,844 S**

(45) **Date of Patent: ** Jul. 26, 2005**

(54) **PLUG IN NIGHTLIGHT/FRAGRANCE
DIFFUSER COVER**

(76) **Inventor: Pamela Friedman, 160 E. 38th St.,
New York, NY (US) 10016**

(**) **Term: 14 Years**

(21) **Appl. No.: 29/205,134**

(22) **Filed: May 10, 2004**

Related U.S. Application Data

(62) **Division of application No. 29/165,541, filed on Aug. 12,
2002, now Pat. No. Des. 492,799.**

(51) **LOC (8) Cl. 26-99**

(52) **U.S. Cl. D26/118; D26/26**

(58) **Field of Search D26/26, 73, 4,
D26/32, 47, 124, 125, 118, 142; D11/142;
D23/367; 362/248, 296, 300, 311, 347,
349, 355, 361, 266, 276, 282, 95, 806,
808; D21/604**

(56) **References Cited**

U.S. PATENT DOCUMENTS

953,841	A	*	4/1910	Kahn	392/403
1,230,342	A	*	6/1917	Thomberg	392/393
1,403,548	A	*	1/1922	Gudeman	422/125
2,824,216	A	*	2/1958	Brennan	362/311
D189,192	S	*	11/1960	Spagnolo	D11/142
D189,193	S	*	11/1960	Spagnolo	D11/142
3,178,569	A	*	4/1965	Martin	362/296
3,780,260	A	*	12/1973	Elsner	392/392
4,074,111	A	*	2/1978	Hunter	392/393
4,579,717	A	*	4/1986	Gyulay	422/125
4,714,984	A	*	12/1987	Spector	362/101
4,878,162	A	*	10/1989	Wu	362/226
D355,497	S	*	2/1995	Ancona et al.	D26/26
5,791,774	A	*	8/1998	Briles	362/806
D399,014	S	*	9/1998	Emmerling	D26/26
6,044,202	A	*	3/2000	Junkel	392/390
D428,169	S	*	7/2000	Veach et al.	D26/26

D429,352	S	*	8/2000	Weinstein	D26/26
6,106,786	A	*	8/2000	Akahoshi	422/124
D441,468	S	*	5/2001	Bing	D26/26
D471,300	S	*	3/2003	Cantor et al.	D26/26
6,527,400	B2	*	3/2003	Dickie et al.	362/95

OTHER PUBLICATIONS

Taiwan Lighting, No. 57; Aug. 1999; p. 205; All items in photograph on top half of page.*

CENS Lighting (Issued in Taiwan); Oct. 2002; p. 187; All four items in center of page: A-7102-A61; A-7102-A74; A-7102-A102; A-7102-A109.*

Home Lighting & Accessories; May 1979; p. 52; All glass shells shown. "Novelty Lamps".*

* cited by examiner

Primary Examiner—Clare Heflin

(74) *Attorney, Agent, or Firm*—Jack Schwartz & Associates

(57) **CLAIM**

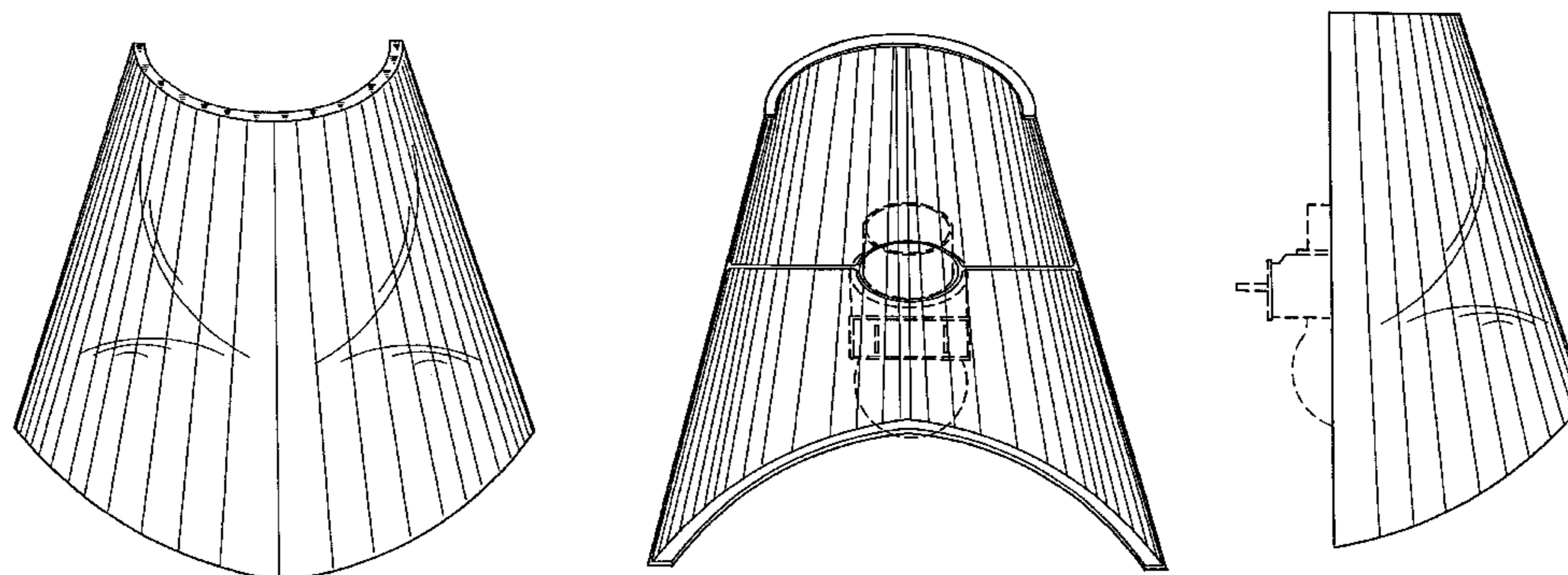
The ornamental design for a plugin nightlight/fragrance diffuser cover, as shown and described.

DESCRIPTION

FIG. 1 is a front view of the embodiment of the plug in nightlight/fragrance diffuser cover of the present invention; FIG. 2 is a rear view of the embodiment of the plug in nightlight/fragrance diffuser cover of the present invention; FIG. 3 is a top view of the embodiment of the plug in nightlight/fragrance diffuser cover of the present invention; FIG. 4 is a bottom view of the embodiment of the plug in nightlight/fragrance diffuser cover of the present invention; FIG. 5 is a right side view of the embodiment of the plug in nightlight/fragrance diffuser cover of the present invention; and,

FIG. 6 is a side view of the embodiment of the plug in nightlight/fragrance diffuser cover of the present invention. The broken lines shown on the drawings are for illustrative purposes only and form no part of the claimed design.

1 Claim, 6 Drawing Sheets



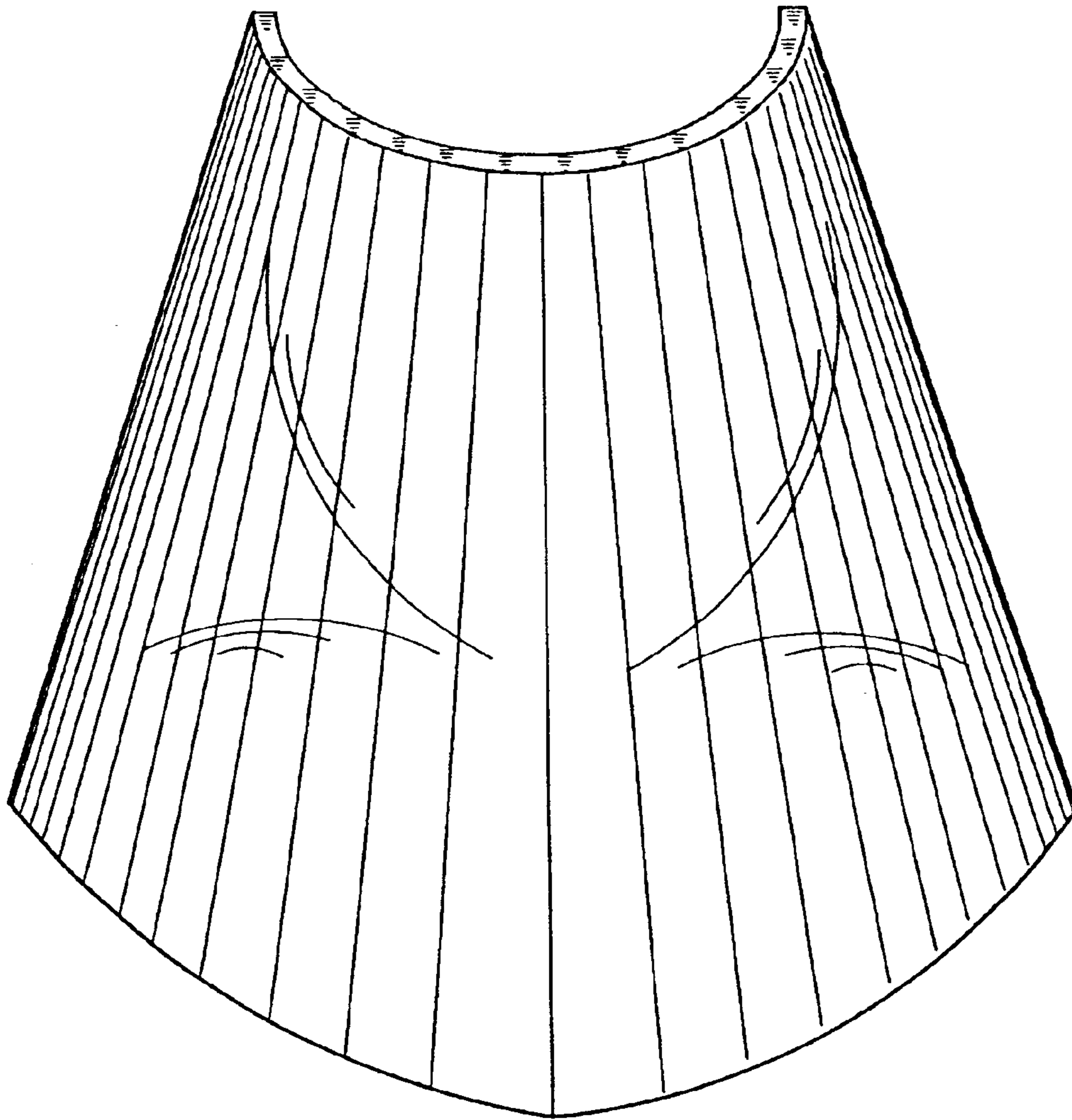


FIG. 1

FRONT VIEW

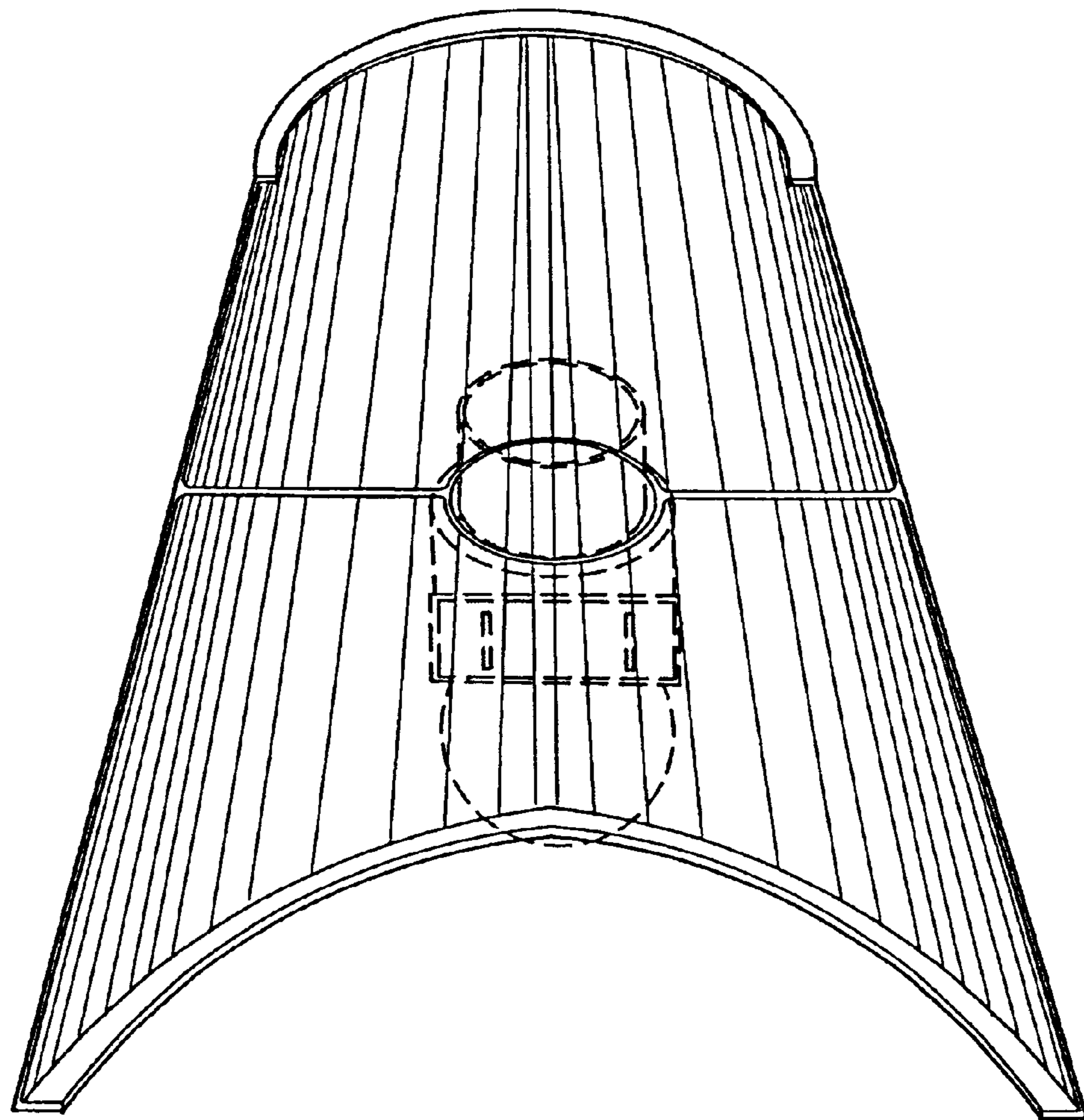


FIG. 2

REAR VIEW

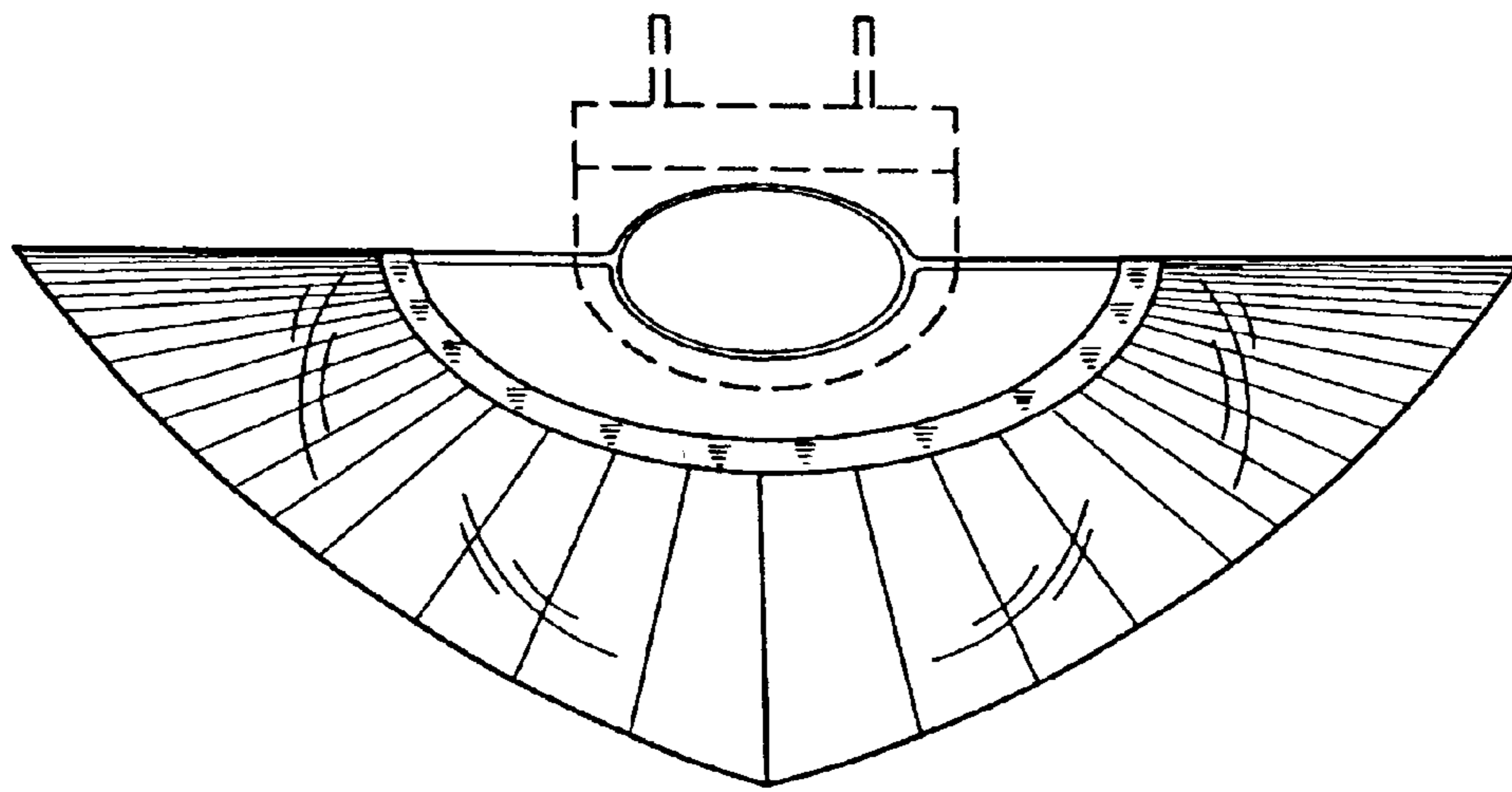


FIG. 3

TOP VIEW

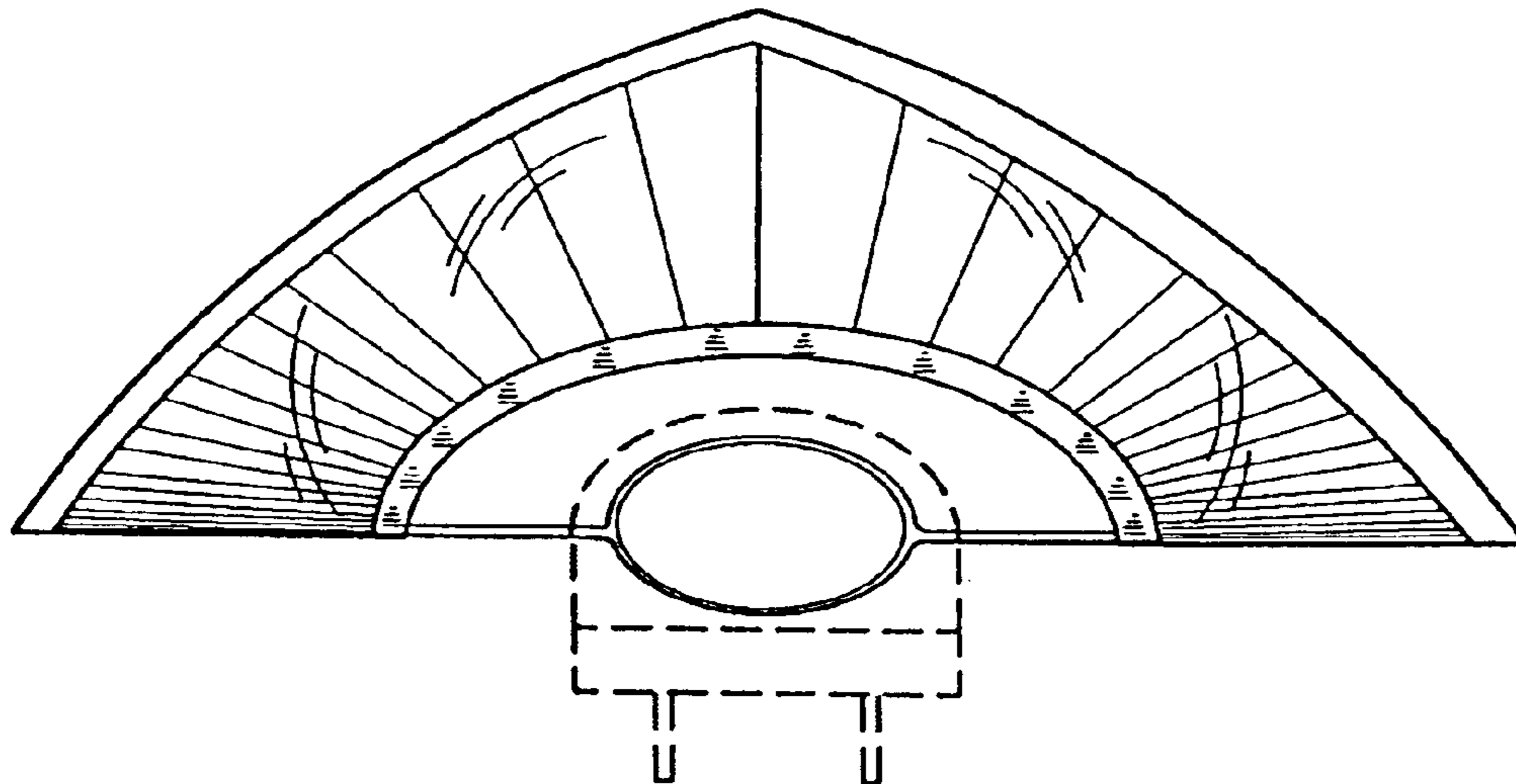


FIG. 4
BOTTOM VIEW

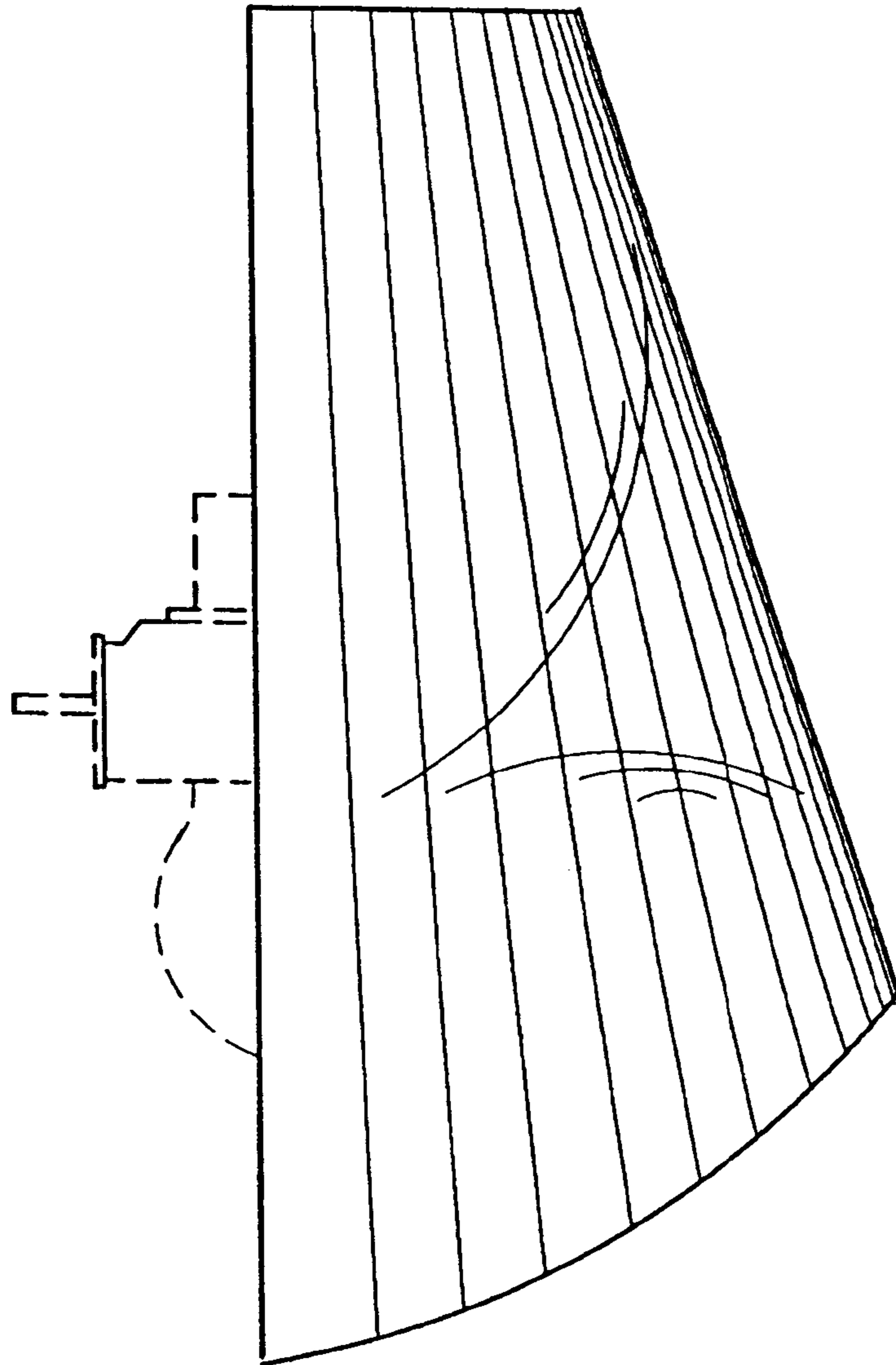


FIG. 5

RIGHT SIDE VIEW

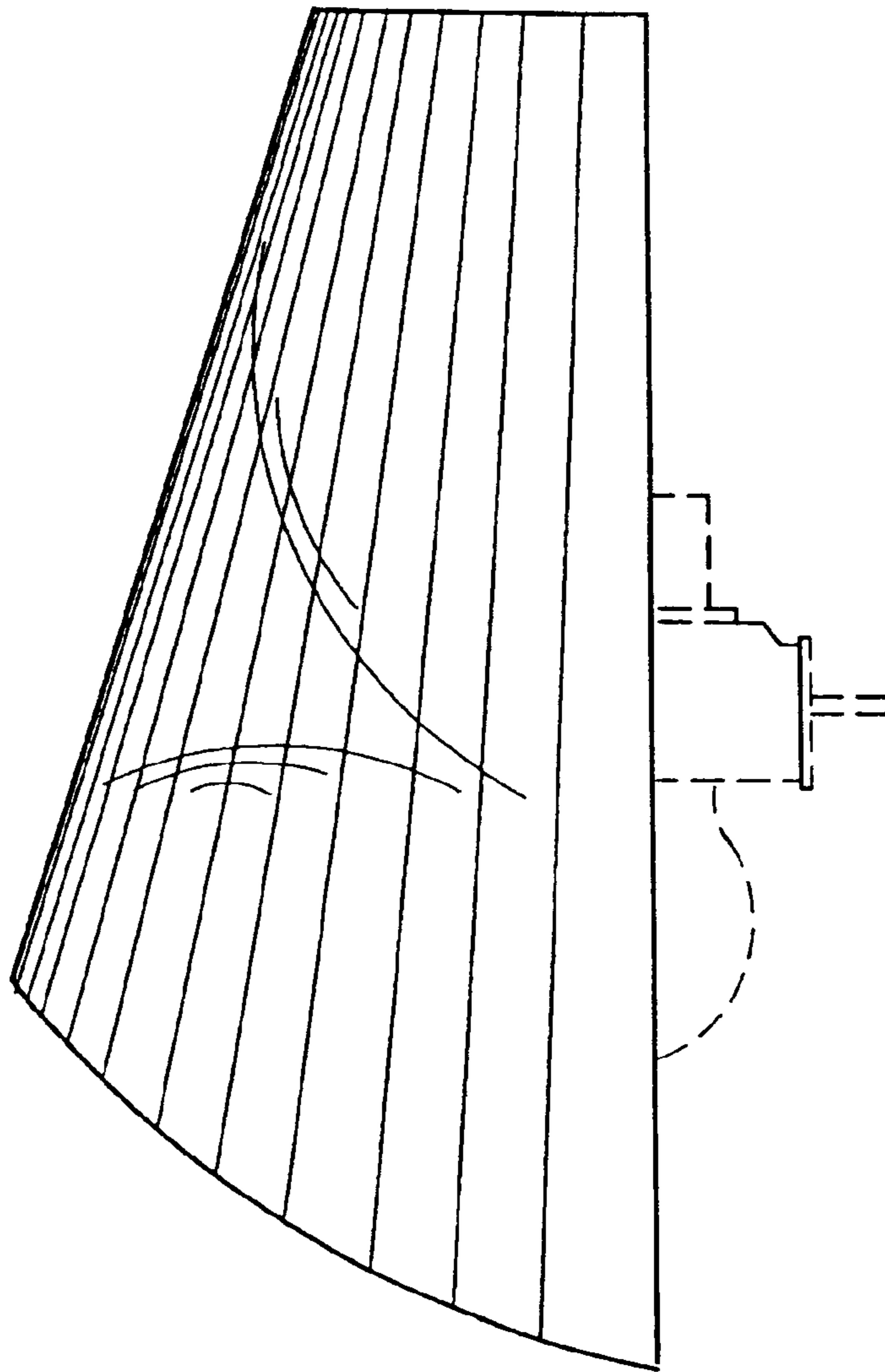


FIG. 6

LEFT SIDE VIEW