



US00D507841S

(12) **United States Design Patent**
Mendelsohn et al.

(10) **Patent No.:** **US D507,841 S**
(45) **Date of Patent:** **** Jul. 26, 2005**

(54) **LAMP WITH STAND**

(76) Inventors: **Fred M. Mendelsohn**, 1214 W. Cass St., Hillsborough County, FL (US) 33606; **Simon A. H. Lee**, No. 8-10, Dah Buu, Wu Chan Village, Dah Yuan Hsian, Taoyuan Hsien (TW)

(**) Term: **14 Years**

(21) Appl. No.: **29/175,948**

(22) Filed: **Feb. 13, 2003**

(51) **LOC (8) Cl.** **26-05**

(52) **U.S. Cl.** **D26/63**

(58) **Field of Search** D26/60-66; 362/269, 362/270, 277-288, 410-414, 418, 419, 427

(56) **References Cited**

U.S. PATENT DOCUMENTS

D367,124 S * 2/1996 Sherman D26/63
D423,136 S * 4/2000 Hsieh D26/107

* cited by examiner

Primary Examiner—Alan P. Douglas
Assistant Examiner—Linda Brooks

(74) *Attorney, Agent, or Firm*—Arthur W. Fisher, III

(57) **CLAIM**

I claim the ornamental design for a lamp with stand, as shown and described.

DESCRIPTION

FIG. 1 is a perspective view of the lamp with stand of the present invention.

FIG. 2 is a front view of the lamp with stand of the present invention.

FIG. 3 is a rear view of the lamp with stand of the present invention.

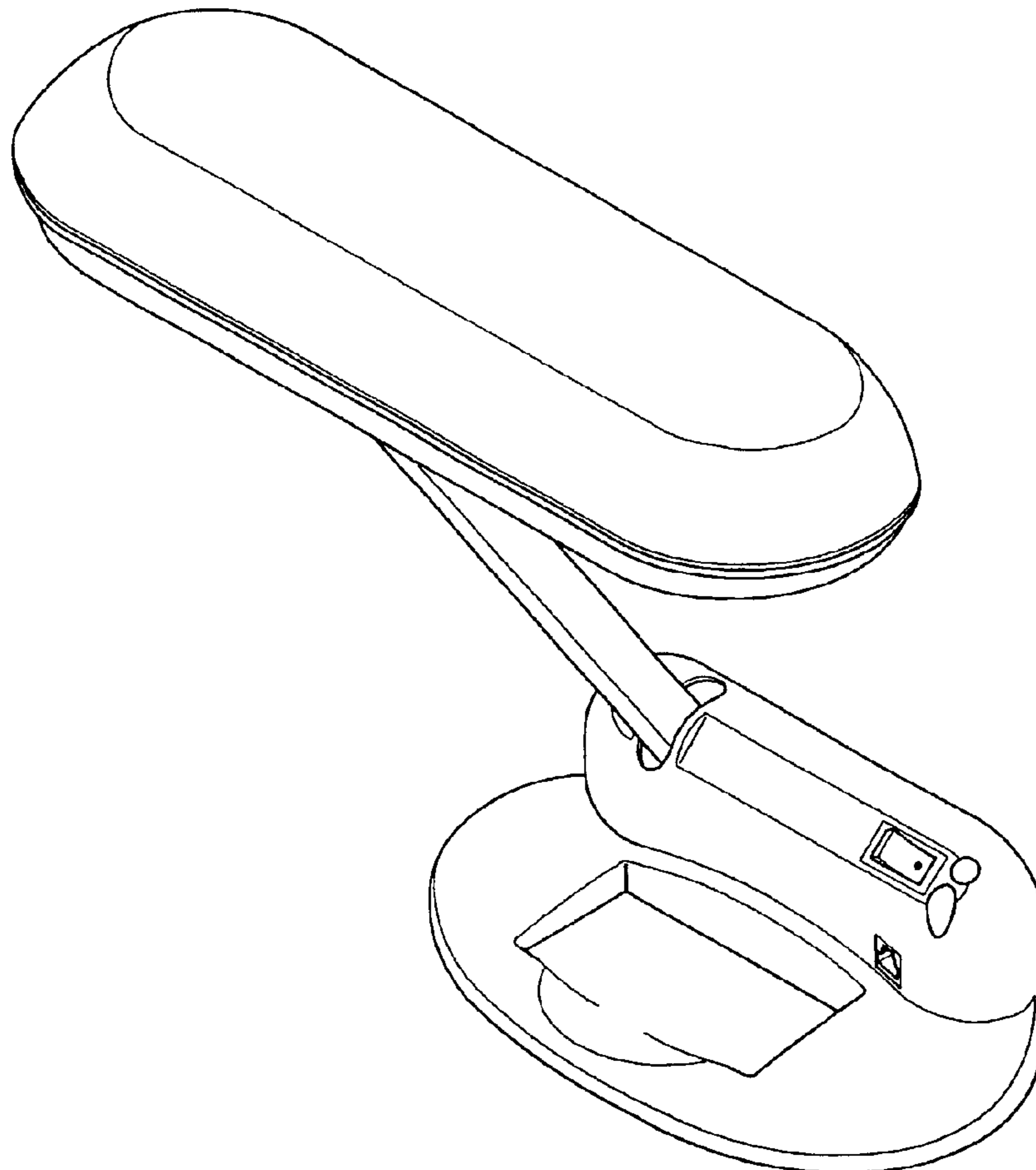
FIG. 4 is a left side view of the lamp with stand of the present invention.

FIG. 5 is a right side view of the lamp with stand of the present invention.

FIG. 6 is a top view of the lamp with stand of the present invention; and,

FIG. 7 is a bottom view of the lamp with stand of the present invention.

1 Claim, 7 Drawing Sheets



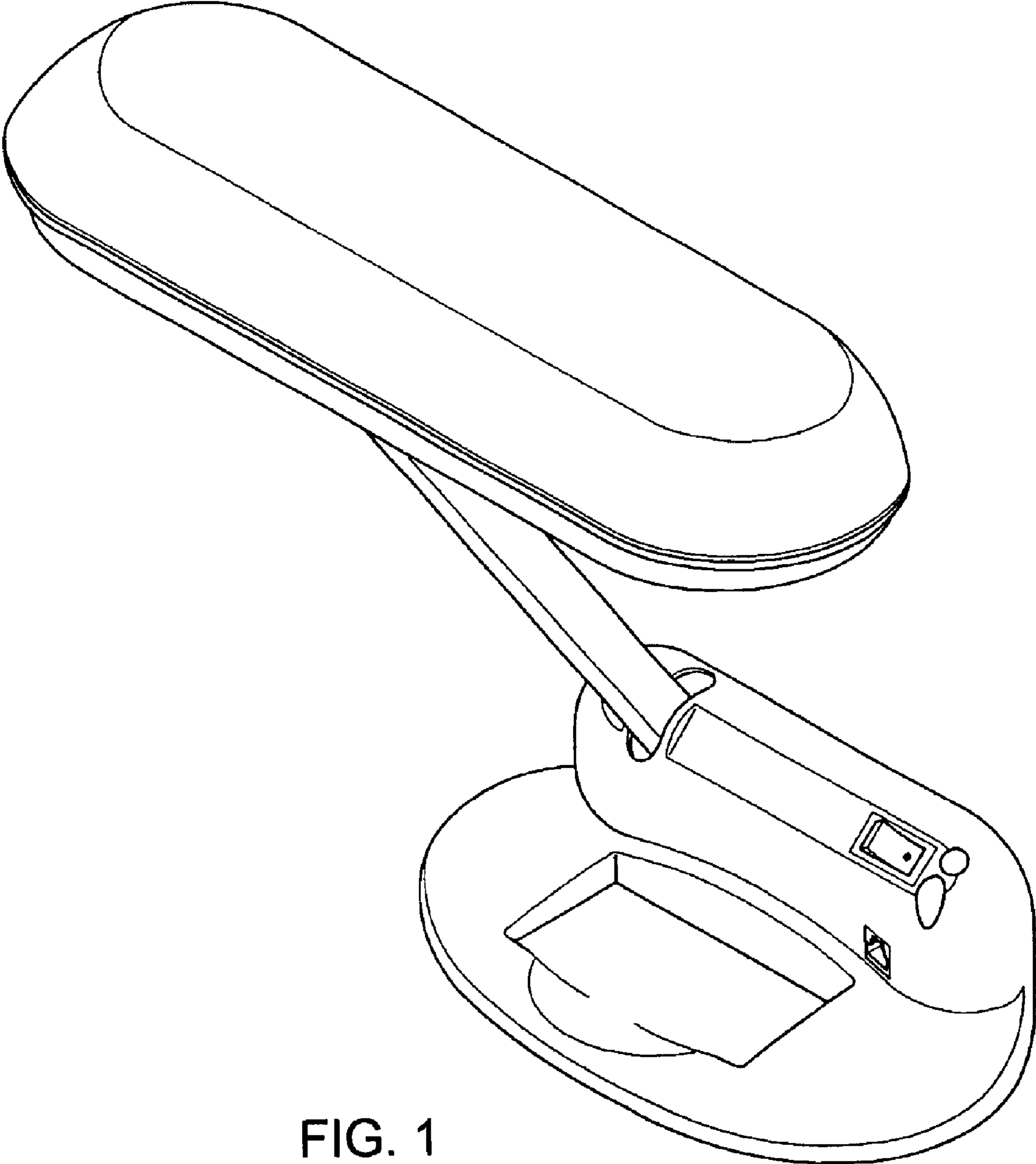


FIG. 1

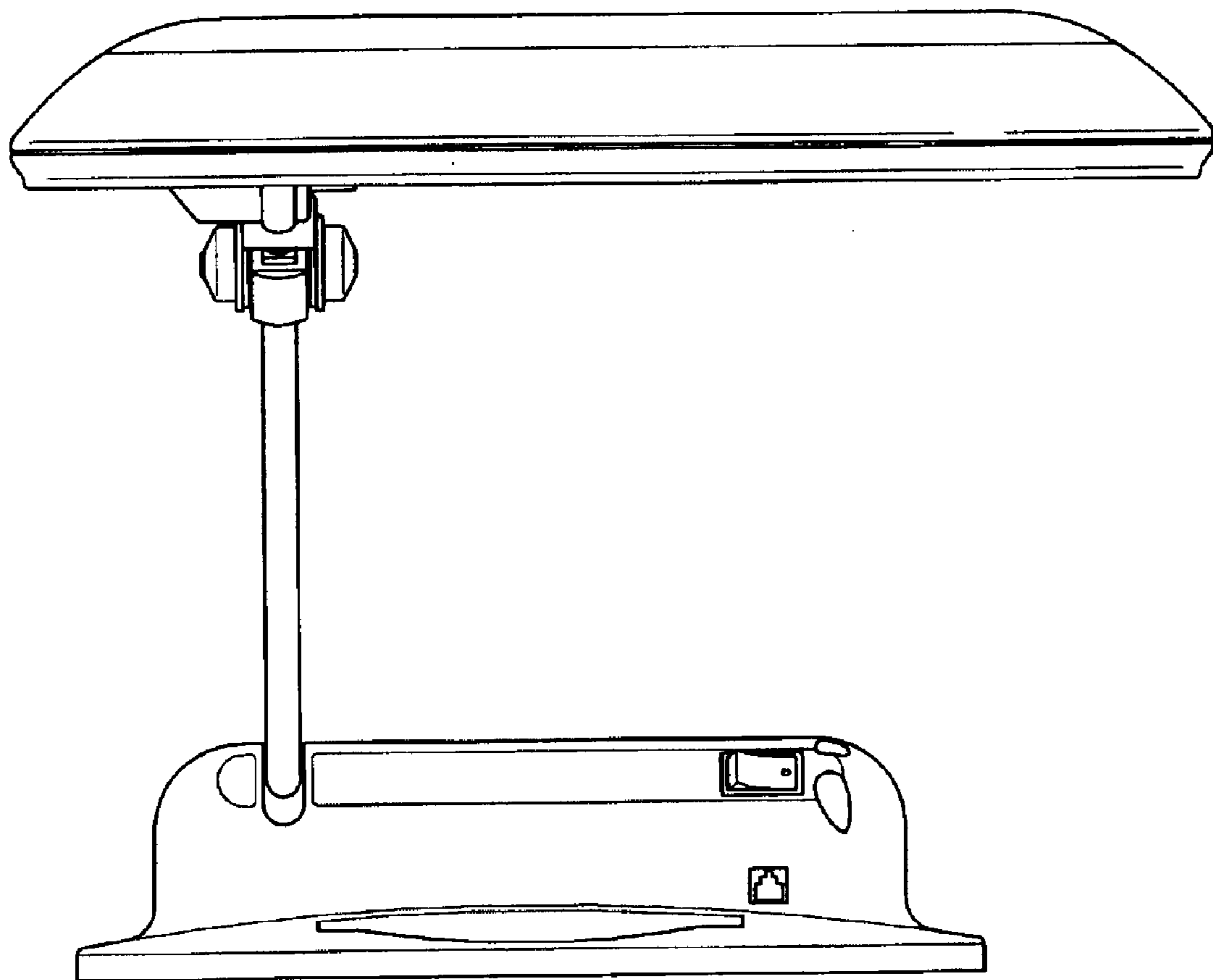


FIG. 2

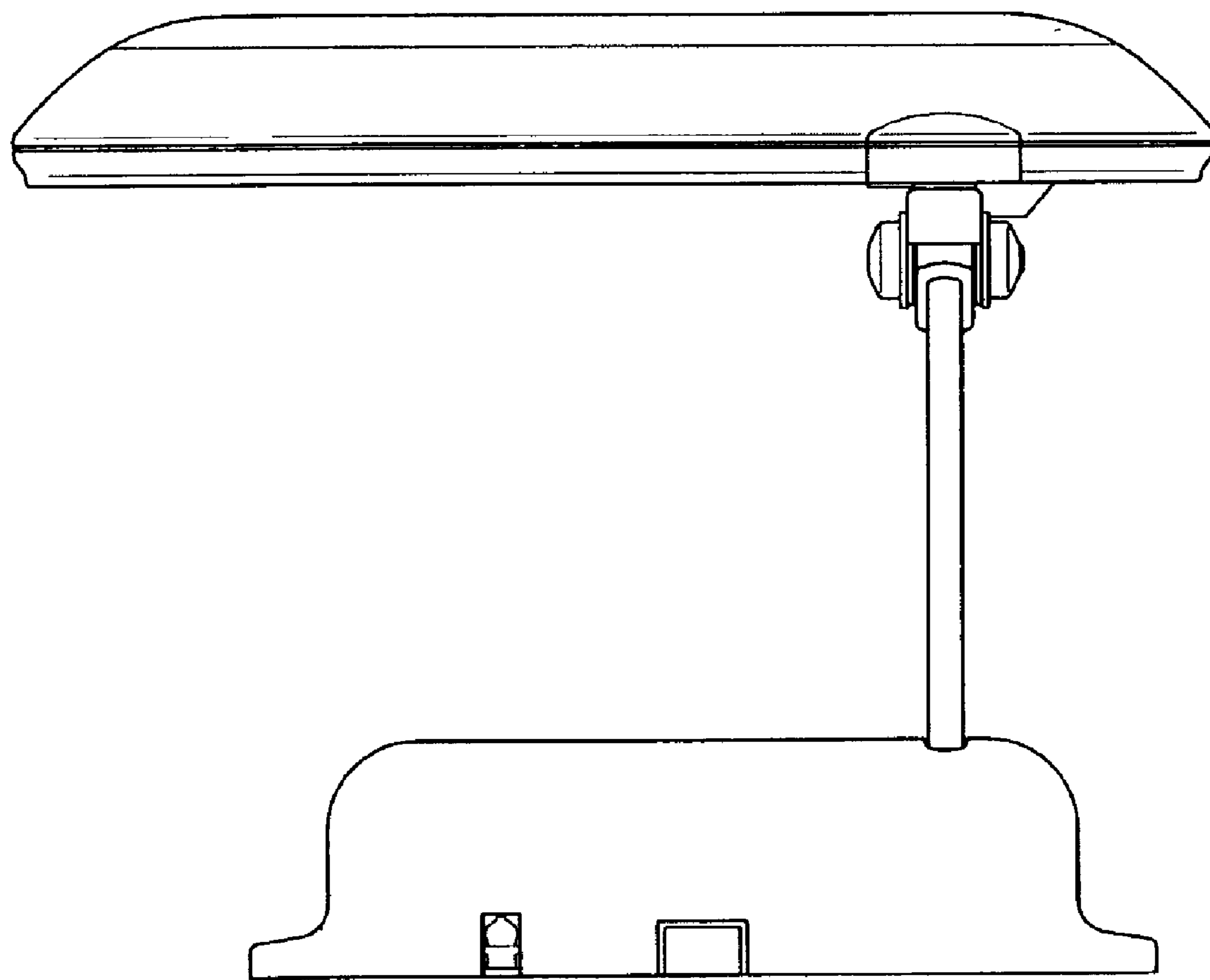


FIG. 3

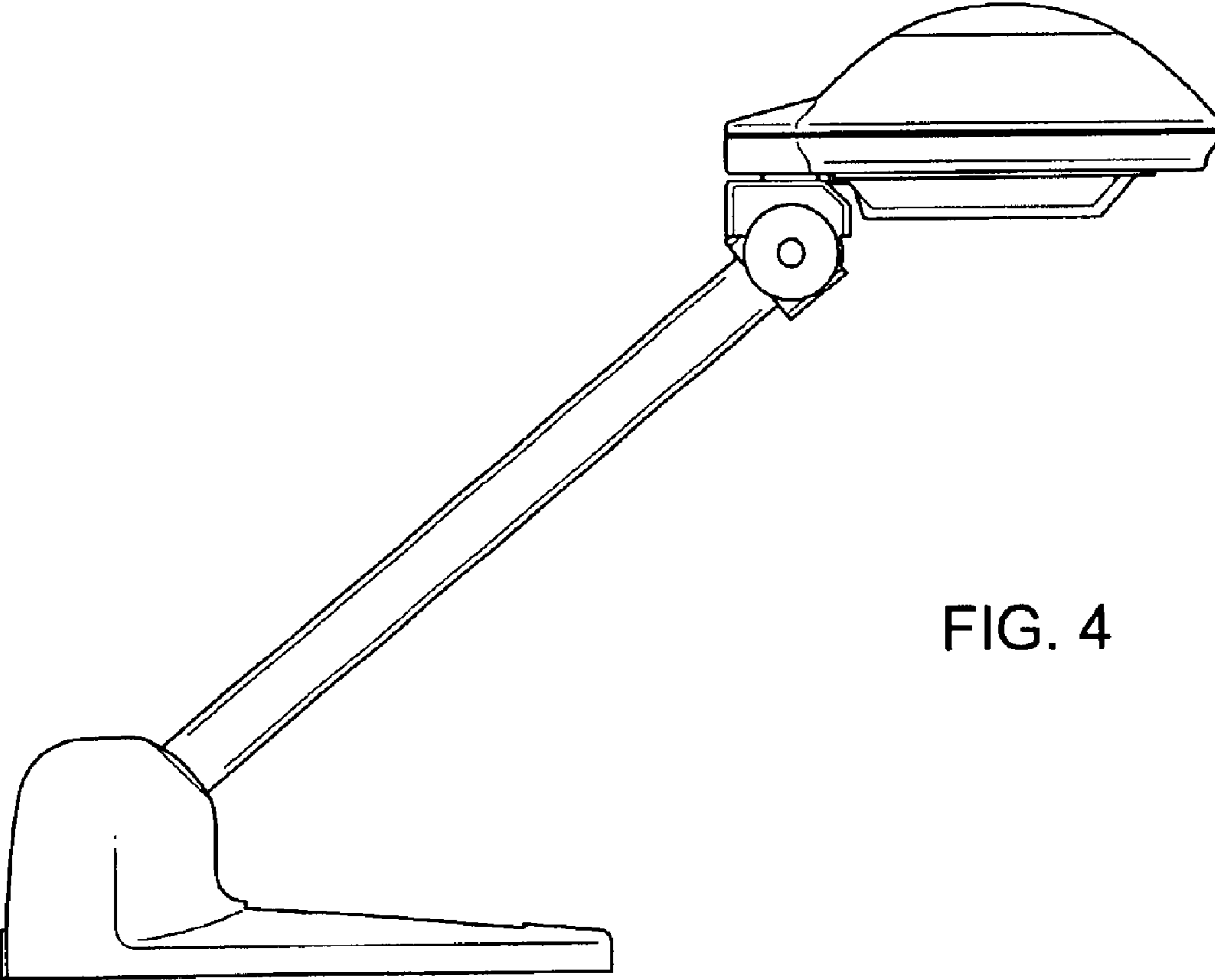


FIG. 4

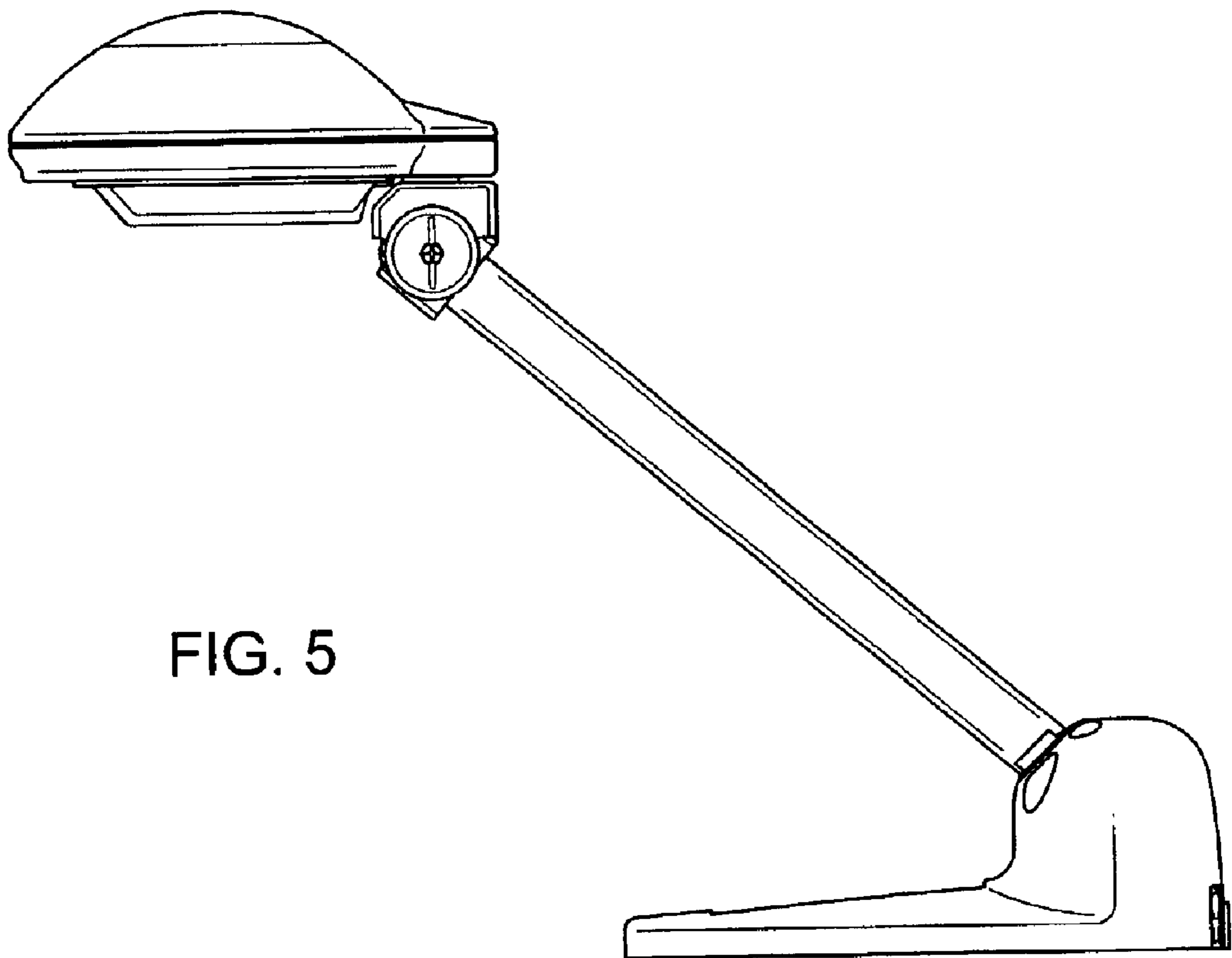


FIG. 5

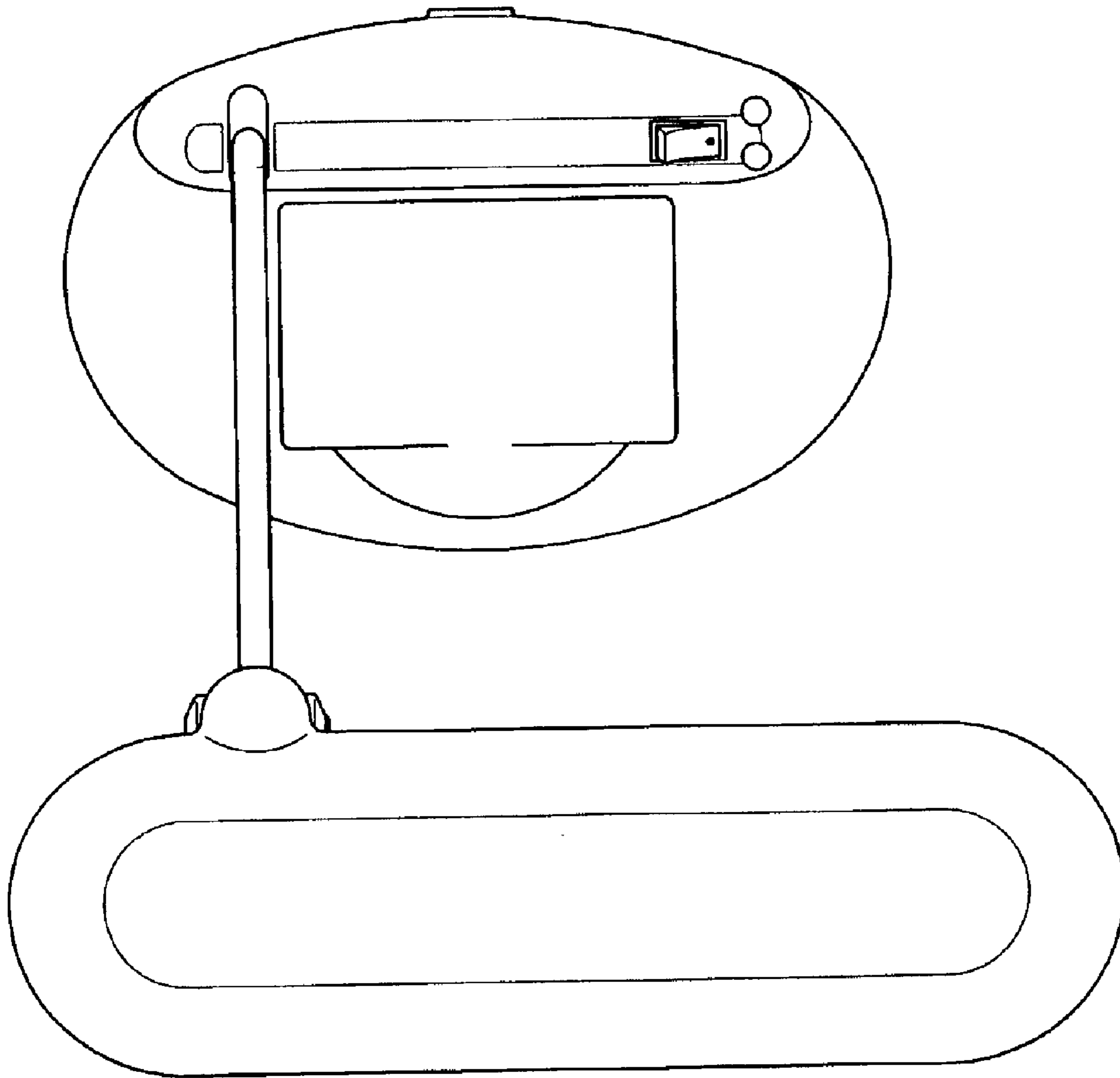


FIG. 6

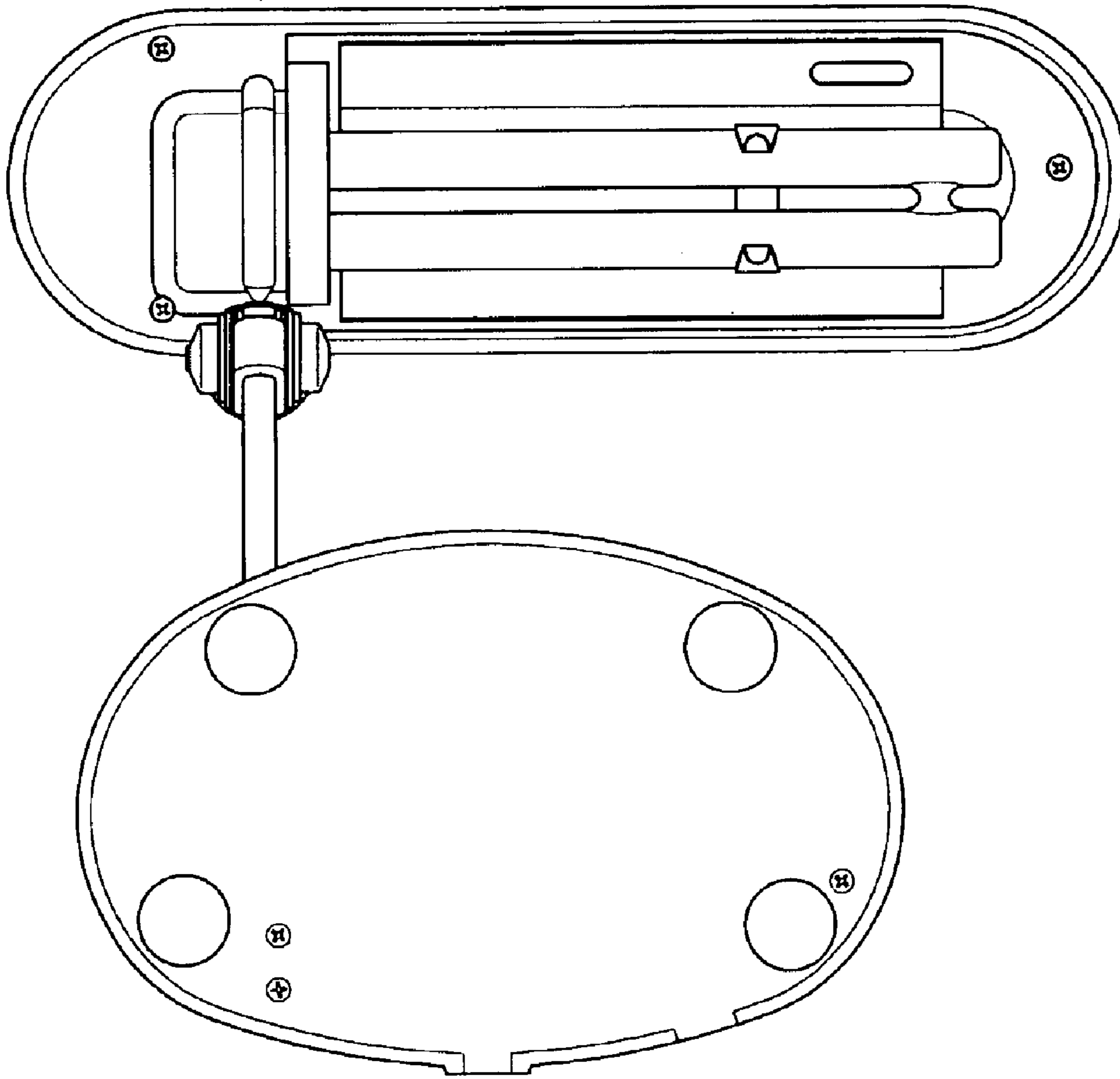


FIG. 7