



US00D507834S

(12) **United States Design Patent**
Renault

(10) **Patent No.: US D507,834 S**
(45) **Date of Patent: ** Jul. 26, 2005**

(54) **MEDICAL INJECTOR**
(75) Inventor: **Catherine Renault**, Le Bourget Du Lac (FR)
(73) Assignee: **Medex**, Annecy le Vieux (FR)
(**) Term: **14 Years**

D391,638 S * 3/1998 Coons et al. D24/160
D426,892 S * 6/2000 Beale et al. D24/160
D428,491 S * 7/2000 Beale et al. D24/160
D452,737 S * 1/2002 Nolan et al. D24/160
6,659,979 B2 * 12/2003 Neer et al. 604/152
2004/0015124 A1 * 1/2004 Sciulli et al. 604/67

* cited by examiner

(21) Appl. No.: **29/178,700**
(22) Filed: **Mar. 28, 2003**

Primary Examiner—Ian Simmons
(74) *Attorney, Agent, or Firm*—Fay, Sharpe, Fagan, Minnich & McKee, LLP

(30) **Foreign Application Priority Data**
Sep. 30, 2002 (FR) 02 5916

(57) **CLAIM**

I claim the ornamental design for a medical injector, as shown and described.

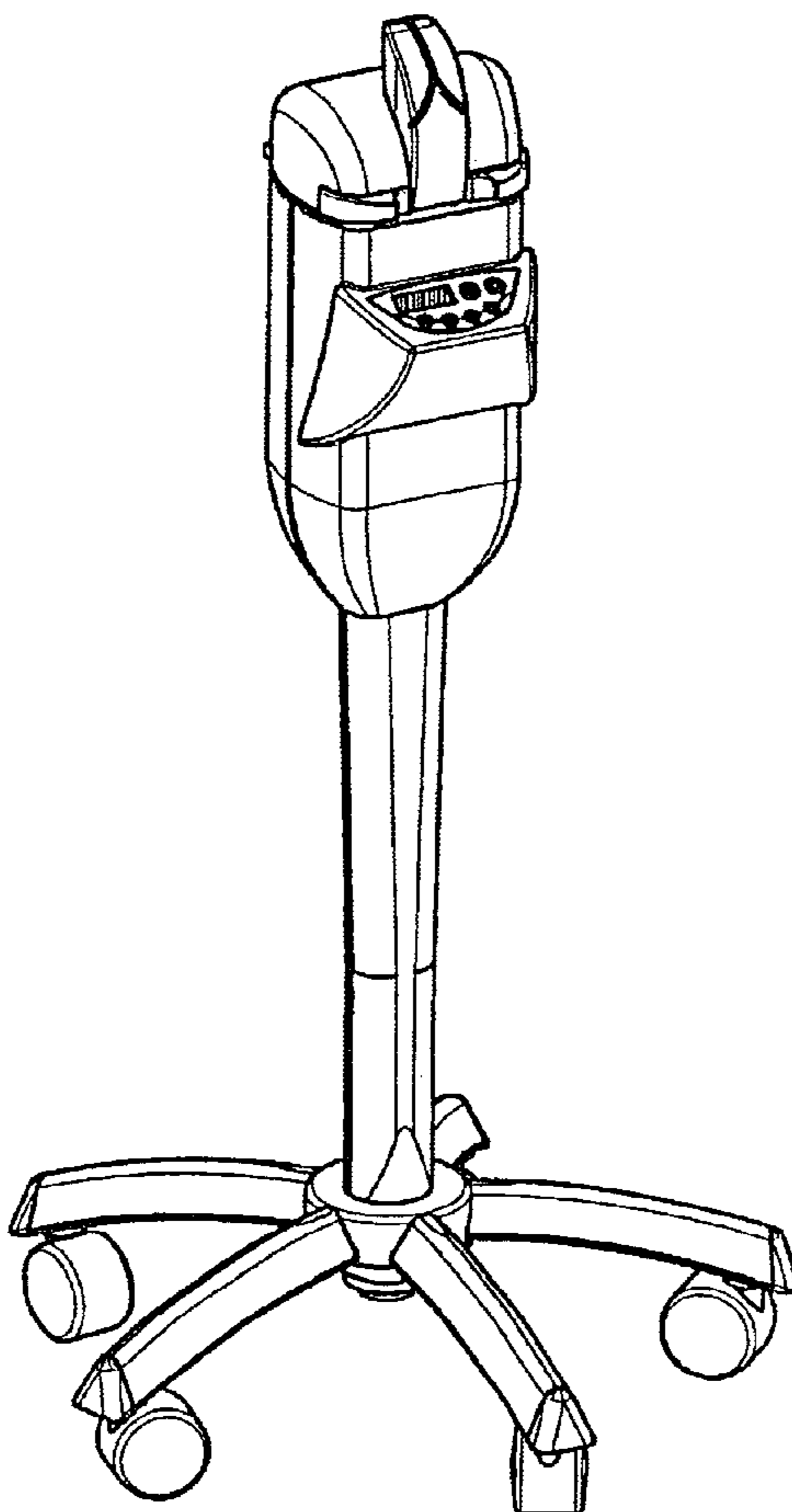
(51) **LOC (8) Cl.** **24-01**
(52) **U.S. Cl.** **D24/160**
(58) **Field of Search** D24/160, 108, D24/111, 128; 604/65, 67, 228, 152, 154, 97.02, 151, 19; 128/DIG. 1, DIG. 13, DIG. 12

DESCRIPTION

FIG. 1 is a bottom plan view of the new design; FIG. 2 is a right side elevation view thereof; FIG. 3 is a front elevation view thereof; FIG. 4 is a left side elevation view thereof; FIG. 5 is a top plan view thereof; FIG. 6 is a perspective view thereof; and, FIG. 7 is a rear elevation view thereof.

(56) **References Cited**
U.S. PATENT DOCUMENTS
4,650,465 A * 3/1987 Langer et al. 128/DIG. 12
4,695,271 A * 9/1987 Goethel D24/160
5,494,036 A * 2/1996 Uberl et al. 604/154

1 Claim, 7 Drawing Sheets



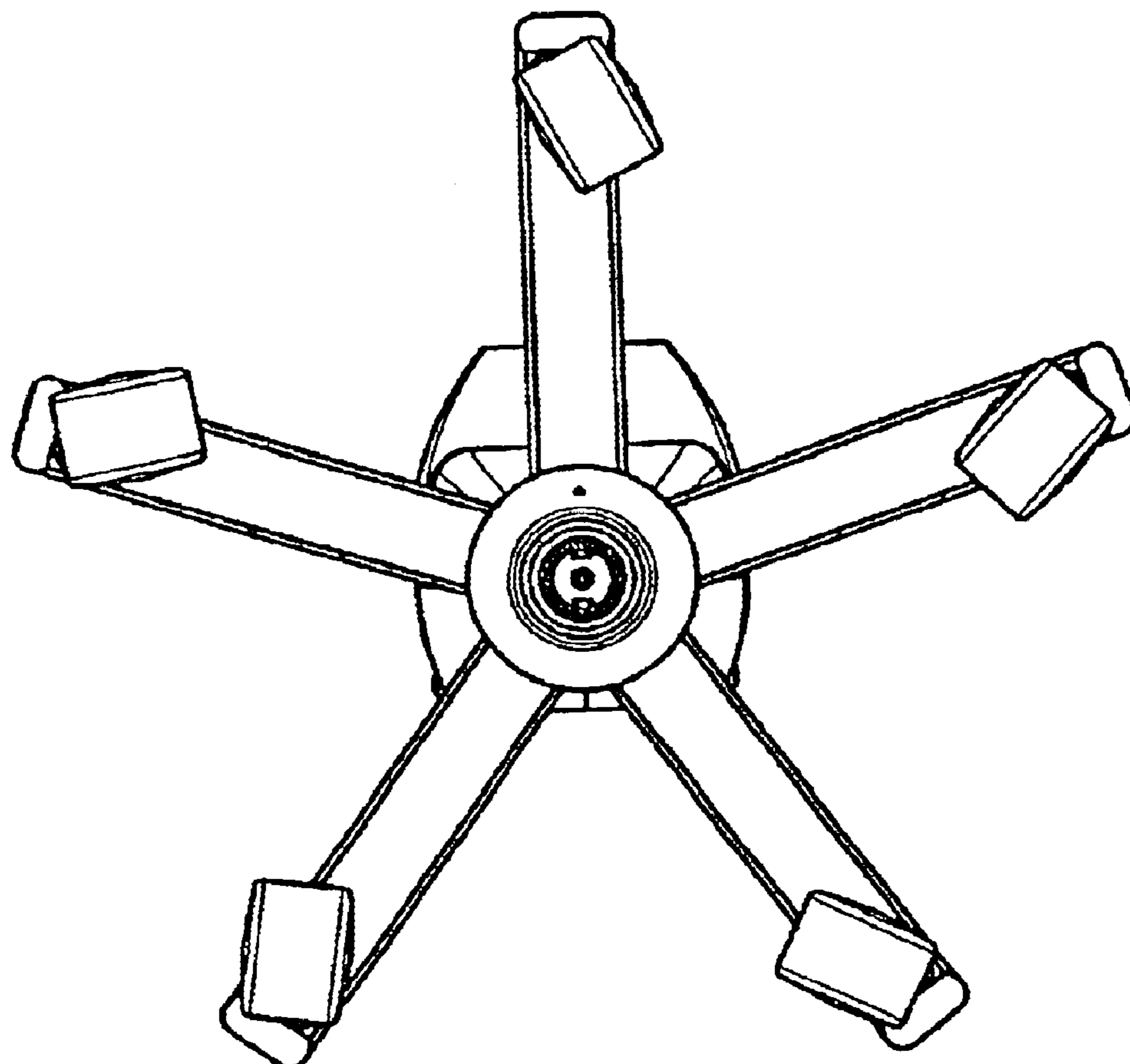


FIG. 1

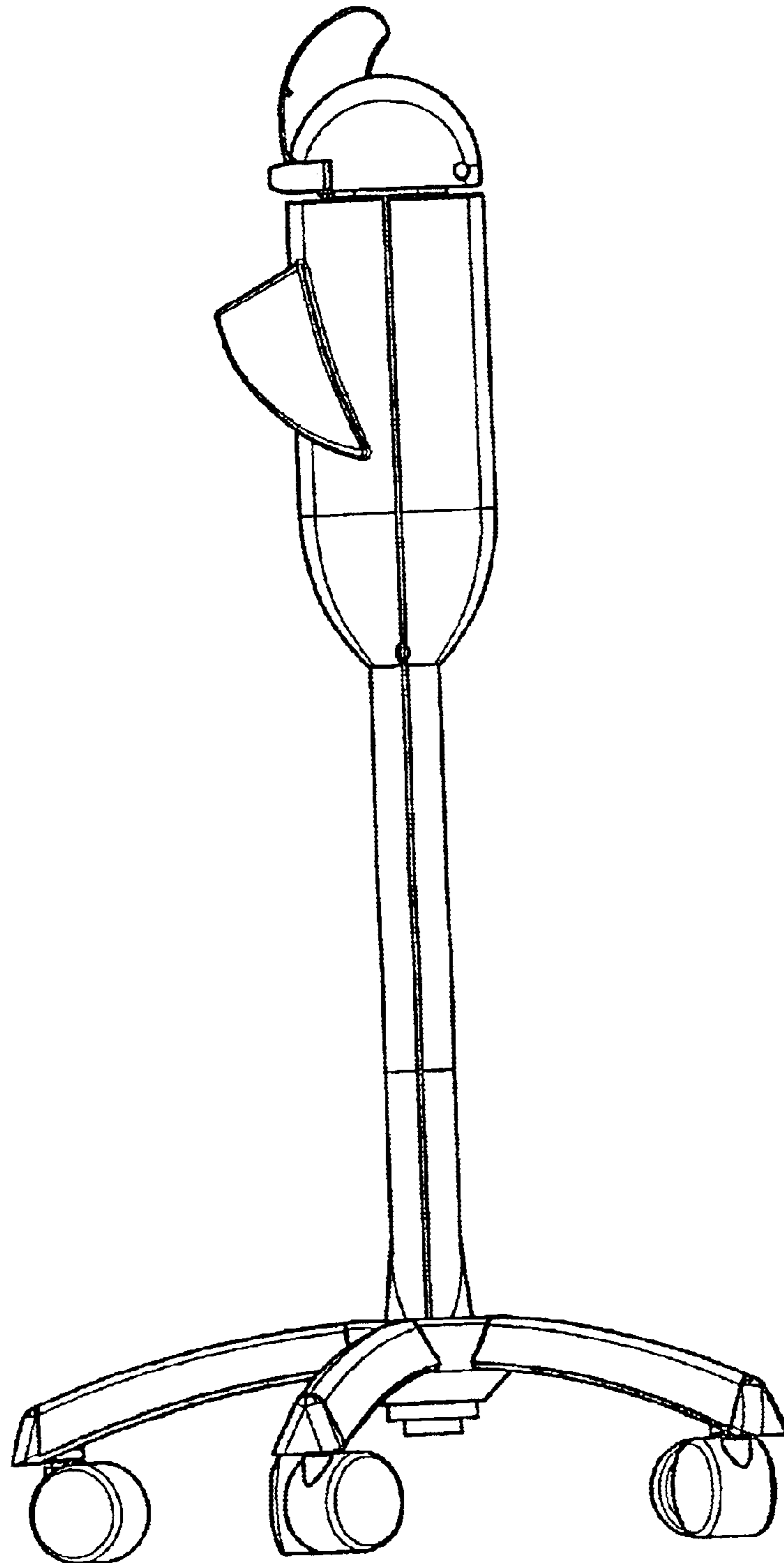


FIG. 2

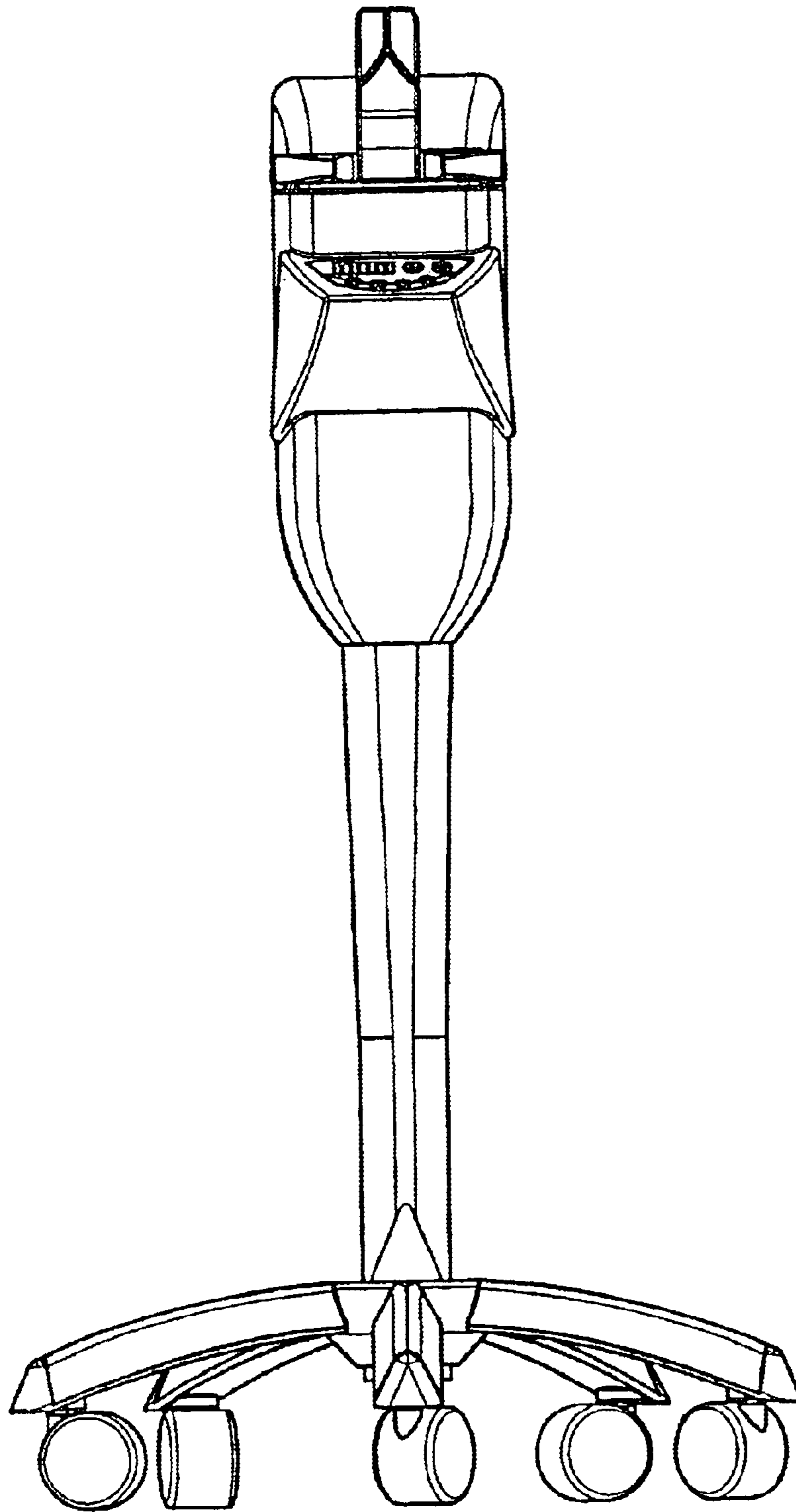


FIG. 3

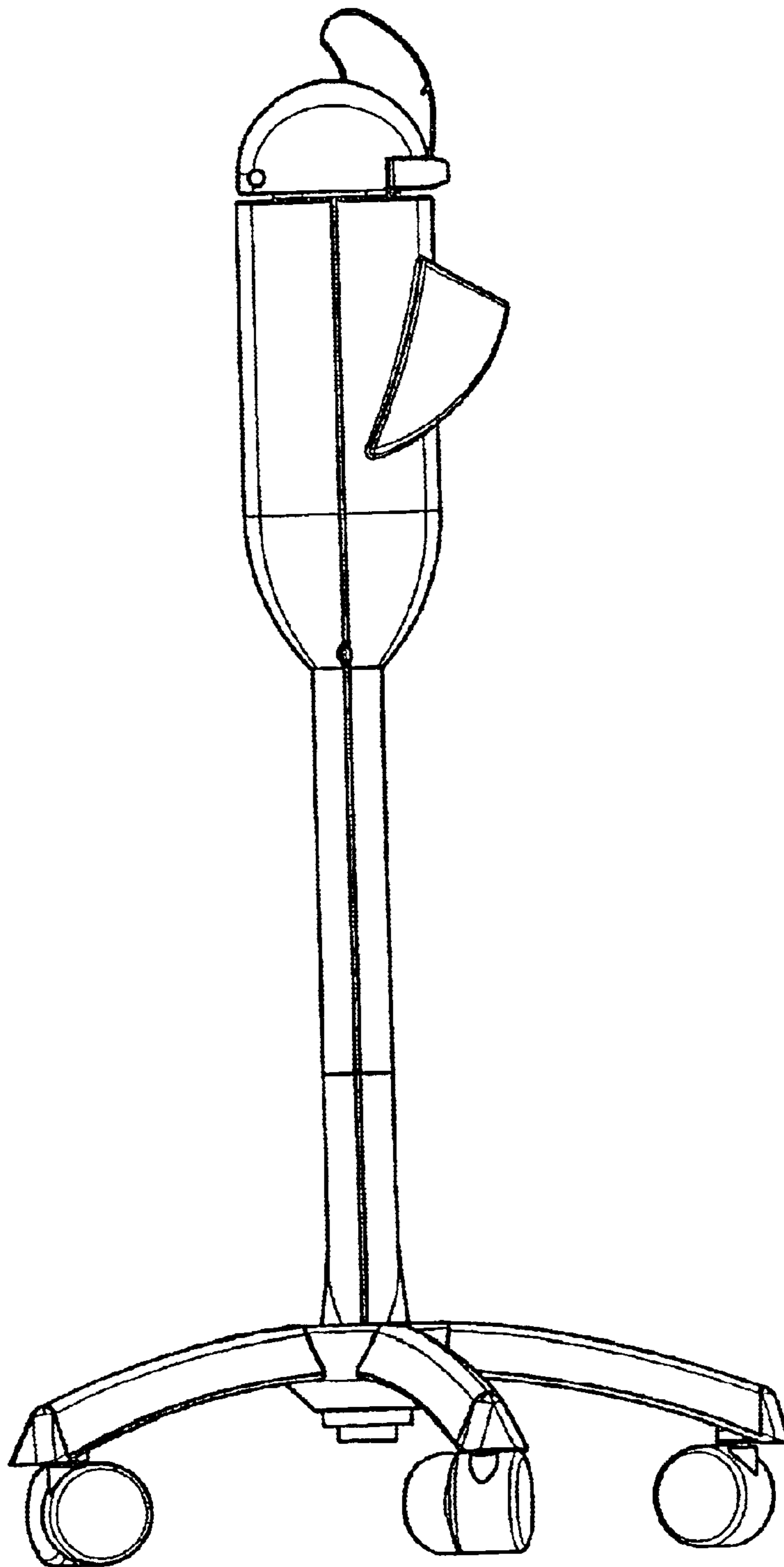


FIG. 4

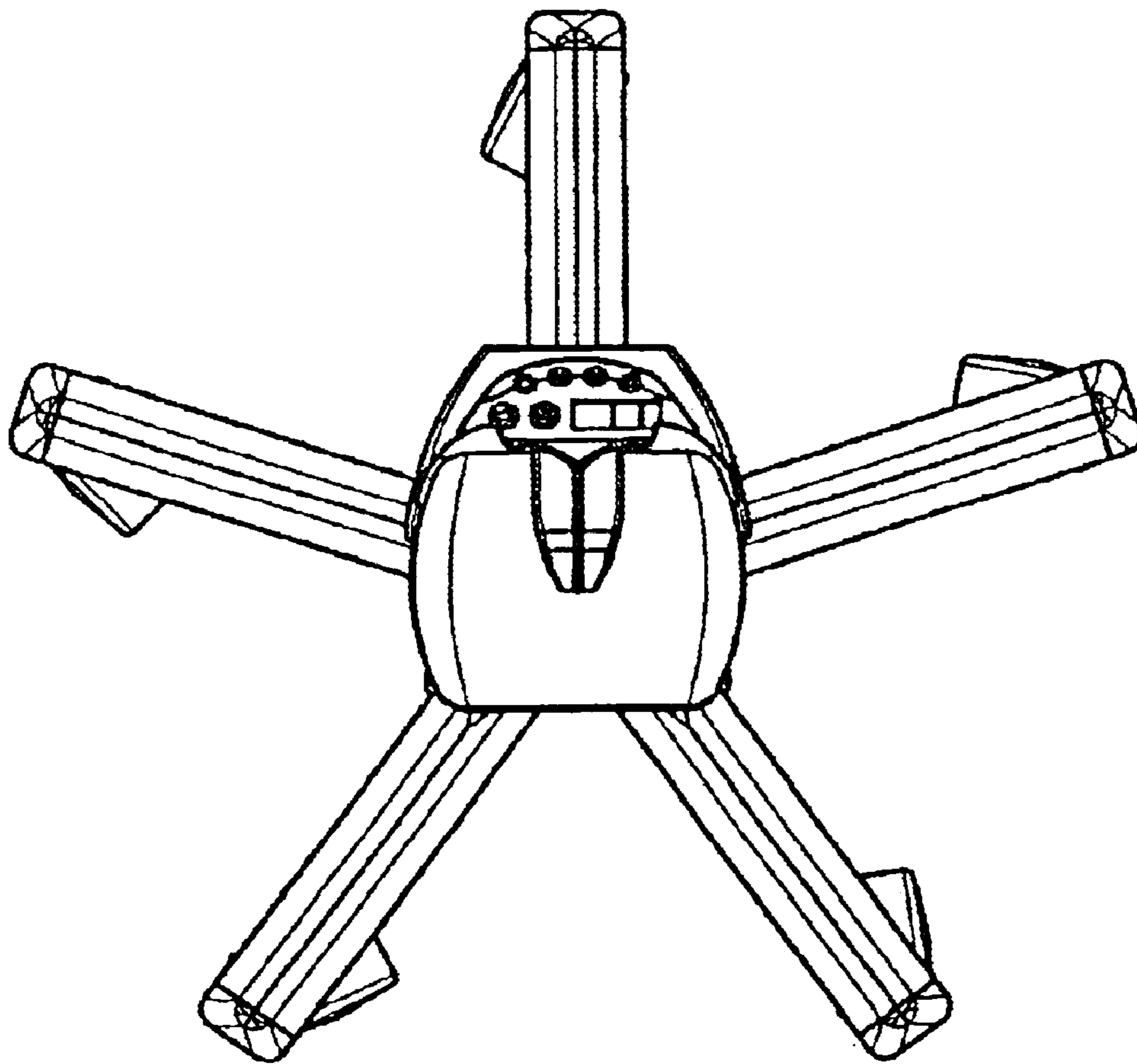


FIG. 5

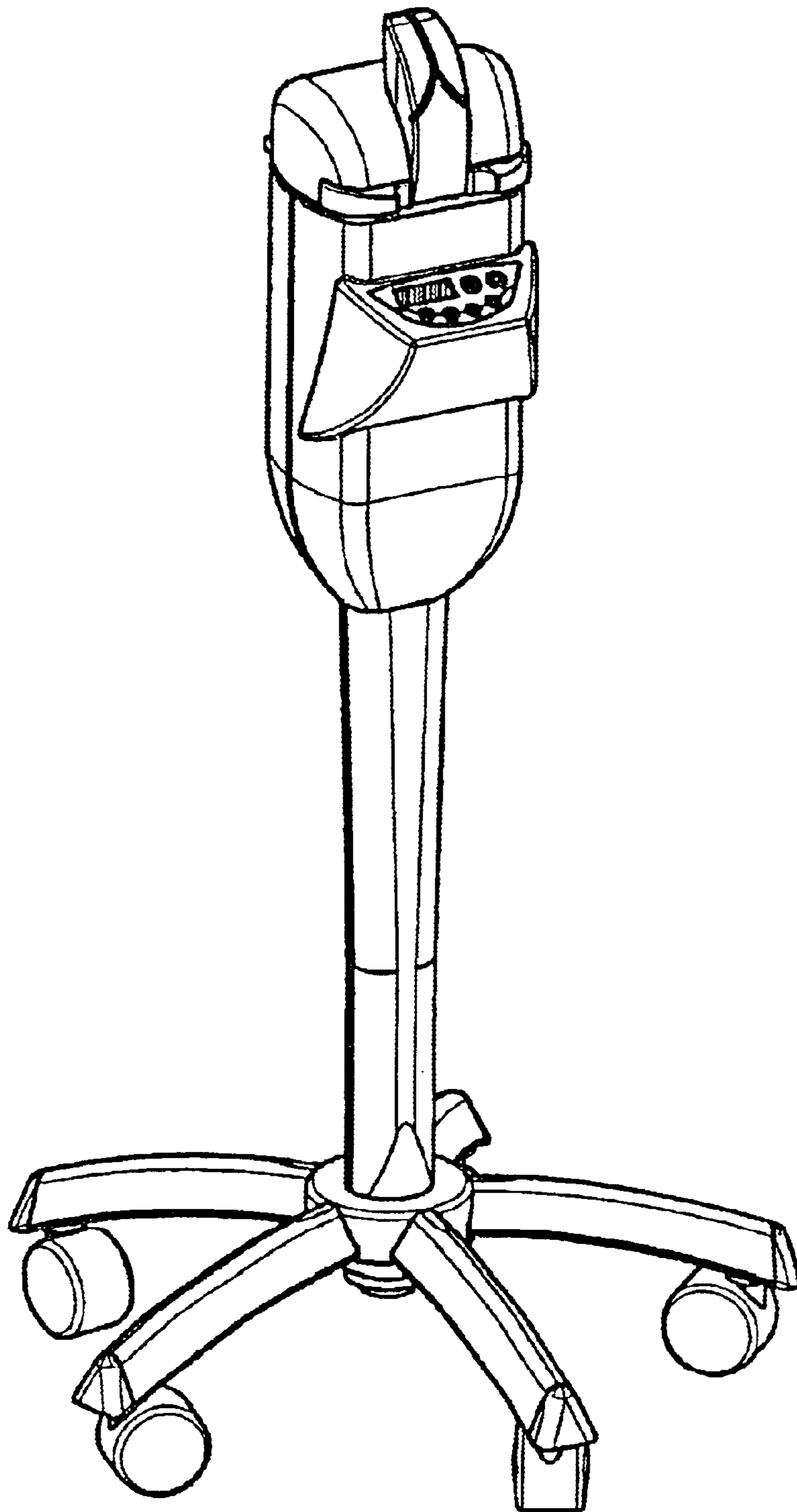


FIG. 6

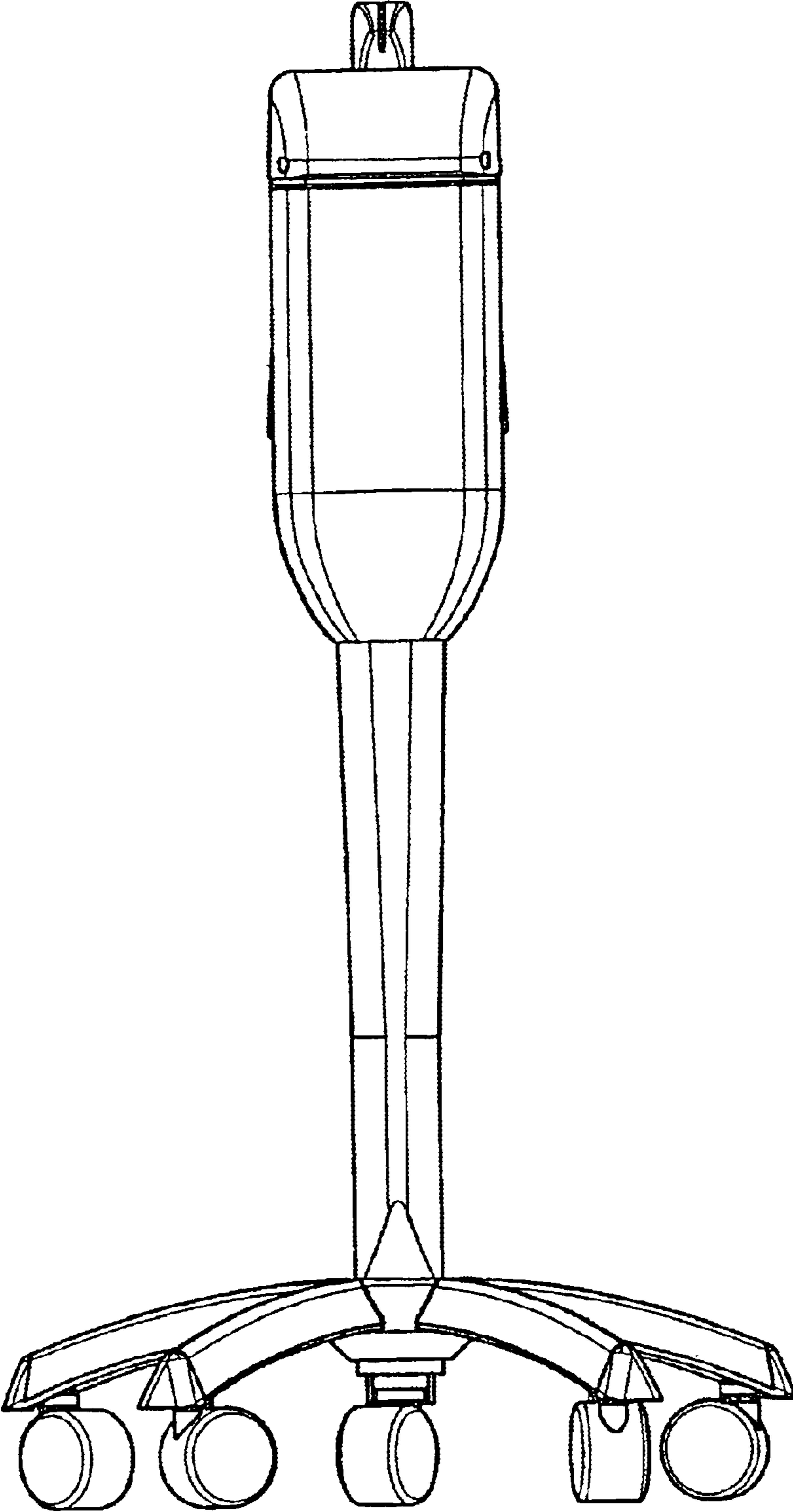


FIG. 7