

US00D507831S

(12) **United States Design Patent**
Rosenkranz et al.

(10) **Patent No.:** **US D507,831 S**
(45) **Date of Patent:** **** Jul. 26, 2005**

(54) NASAL MASK	2,254,854 A	9/1941	O'Connell
	2,317,608 A	4/1943	Heidbrink
(75) Inventors: Mark E. Rosenkranz , Parma, OH	2,371,965 A	3/1945	Lehmberg
(US); Tom Sprinkle , Rocky River, OH	2,376,871 A	5/1945	Fink
(US); Mary B. Whitesel , Grafton, OH	2,415,846 A	2/1947	Randall
(US)	2,438,058 A	3/1948	Kincheloe

(Continued)

(73) **Assignee:** **Invacare Corporation**, Elyria, OH
(US)

FOREIGN PATENT DOCUMENTS

(**) **Term:** **14 Years**

AU	A-32914/95	*	2/1996
AU	A-89312/98	*	1/1999
AU	712236	*	11/1999
AU	724360	*	9/2000
AU	728849	*	1/2001
CA	1039144	*	9/1978
CA	2261790	*	2/1998
CA	2295457	*	7/2000
CA	2298129	*	8/2000
DE	159396 A	*	3/1905

(21) **Appl. No.:** **29/200,006**

(22) **Filed:** **Feb. 23, 2004**

Related U.S. Application Data

(62) Division of application No. 29/157,682, filed on Mar. 22, 2002.

(51) **LOC (8) Cl.** **29-02**

(52) **U.S. Cl.** **D24/110.1; D24/110.4**

(58) **Field of Search** **D24/110.1, 110.4, D24/110.5, 164; 128/207.13, 206.28, 205.25, 206.12**

(Continued)

Primary Examiner—Ian Simmons
(74) *Attorney, Agent, or Firm*—Calfee, Halter & Griswold, LLP

(57) **CLAIM**

The ornamental design for a nasal mask, as shown and described.

(56) **References Cited**

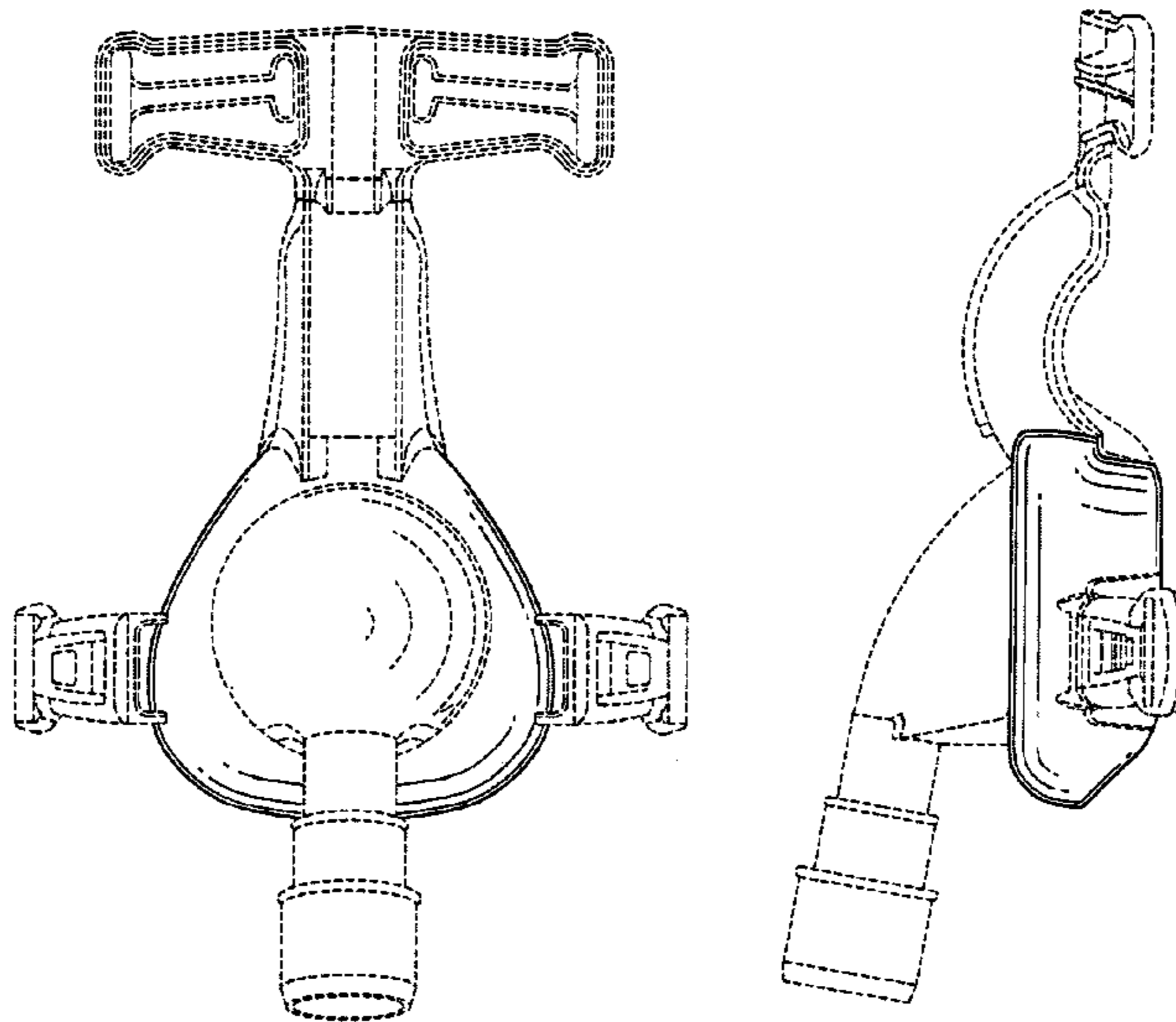
U.S. PATENT DOCUMENTS

781,516 A	1/1905	Guthrie, Jr.
812,706 A	2/1906	Warbasse
844,097 A	2/1907	Caldwell
1,048,491 A	12/1912	Butcher
1,081,745 A	12/1913	Johnston et al.
1,192,186 A	7/1916	Greene
1,206,045 A	11/1916	Smith
1,632,449 A	6/1927	McKesson
1,635,275 A	7/1927	Johnson
1,653,572 A	12/1927	Jackson
1,926,027 A	9/1933	Biggs
2,123,353 A	7/1938	Catt
2,241,535 A	5/1941	Boothby et al.
2,248,477 A	7/1941	Lombard

DESCRIPTION

FIG. 1 is a front view of a nasal mask showing the new design;
FIG. 2 is a back view of the design shown in FIG. 1;
FIG. 3 is a side view of the design shown in FIG. 1, each side being a mirror image of the other;
FIG. 4 is a bottom view of the design shown in FIG. 1; and,
FIG. 5 is a top view of the design shown in FIG. 1.
The portions of the Figures shown in phantom lines are not part of the claimed design but are for illustration only.

1 Claim, 4 Drawing Sheets



U.S. PATENT DOCUMENTS

2,578,621 A	12/1951	Yant	5,063,922 A	11/1991	Hakkinen	128/200.16
2,765,788 A	10/1956	Raiche	D322,318 S	* 12/1991	Sullivan	D24/164
2,939,458 A	6/1960	Lundquist	5,069,205 A	12/1991	Urso	128/201.24
3,013,556 A	12/1961	Galleher, Jr.	5,109,839 A	5/1992	Blasdell et al.	128/203.12
3,182,659 A	5/1965	Blout	5,109,840 A	5/1992	Daleiden	128/205.13
3,189,027 A	6/1965	Bartlett, Jr.	5,117,819 A	6/1992	Servidio et al.	128/204.18
3,193,624 A	7/1965	Webb et al.	5,121,745 A	6/1992	Israel	128/202.28
3,238,943 A	3/1966	Holley	5,133,347 A	7/1992	Huenebeck	128/205.24
3,315,674 A	4/1967	Bloom et al.	5,140,980 A	8/1992	Haughey et al.	128/201.25
3,330,273 A	7/1967	Bennett	5,140,982 A	8/1992	Bauman	128/205.13
3,330,274 A	11/1967	Bennett	5,159,938 A	11/1992	Laughlin	128/858
3,362,420 A	1/1968	Blackburn et al.	5,178,138 A	1/1993	Walstrom et al.	128/200.23
3,363,833 A	1/1968	Laerdal	D333,015 S	2/1993	Farmer et al.	D29/8
3,556,122 A	1/1971	Laerdal	5,231,983 A	8/1993	Matson et al.	128/207.14
3,580,051 A	5/1971	Blevins	5,233,978 A	8/1993	Callaway	128/205.25
3,700,000 A	10/1972	Hesse et al.	5,265,595 A	11/1993	Rudolph	128/204.16
3,720,235 A	3/1973	Schrock	5,279,289 A	1/1994	Kirk	128/205.23
3,725,953 A	4/1973	Johnson et al.	5,280,784 A	1/1994	Kohler	128/200.14
3,779,164 A	12/1973	Study	5,311,862 A	5/1994	Blasdell et al.	128/205.25
3,982,532 A	9/1976	Halldin et al.	5,322,057 A	6/1994	Raabe et al.	128/203.12
4,077,404 A	3/1978	Elam	5,343,878 A	9/1994	Scarberry et al.	128/898
4,167,185 A	9/1979	Lewis	5,357,951 A	10/1994	Ratner	128/205.24
4,226,234 A	10/1980	Gunderson	5,372,130 A	12/1994	Stern et al.	128/205.25
4,245,632 A	1/1981	Houston	5,388,571 A	2/1995	Roberts et al.	128/203.12
4,263,908 A	4/1981	Mizerak	5,404,871 A	4/1995	Goodman et al.	128/200.14
4,266,540 A	5/1981	Panzik et al.	5,419,318 A	5/1995	Tayebi	128/205.27
4,304,229 A	12/1981	Curtin	5,429,126 A	7/1995	Bracken	128/207.11
4,328,797 A	5/1982	Rollins, III et al.	5,429,683 A	7/1995	Le Mitoard	128/206.24
4,347,205 A	8/1982	Stewart	5,431,158 A	7/1995	Tirotta	128/206.21
4,354,488 A	10/1982	Bartos	5,438,981 A	8/1995	Starr et al.	128/205.24
4,402,316 A	9/1983	Gadberry	5,441,046 A	8/1995	Starr et al.	128/207.11
4,412,537 A	11/1983	Tiger	5,477,852 A	12/1995	Landis et al.	128/207.18
4,467,799 A	8/1984	Steinberg	5,479,920 A	1/1996	Piper et al.	128/204.23
4,522,639 A	6/1985	Ansite et al.	5,488,948 A	2/1996	Dubruille et al.	128/207.11
4,558,710 A	12/1985	Eichler	5,492,116 A	2/1996	Scarberry et al.	128/206.24
4,559,940 A	12/1985	McGinnis	5,501,214 A	3/1996	Sabo	128/205.24
4,616,647 A	10/1986	McCreadie	5,509,404 A	4/1996	Lloyd et al.	128/200.14
4,622,964 A	11/1986	Flynn	5,517,986 A	5/1996	Starr et al.	128/206.24
4,655,213 A	4/1987	Rapoport et al.	5,538,000 A	7/1996	Rudolph	128/205.25
4,665,570 A	5/1987	Davis	5,540,223 A	7/1996	Starr et al.	128/205.25
4,671,271 A	6/1987	Bishop et al.	5,546,936 A	8/1996	Virag et al.	128/207.14
4,677,975 A	7/1987	Edgar et al.	5,558,090 A	9/1996	James	128/207.18
4,677,977 A	7/1987	Wilcox	RE35,339 E	10/1996	Rapoport	128/204.18
H397 H	1/1988	Stark	5,560,354 A	10/1996	Berthon-Jones et al.	128/205.25
4,739,755 A	4/1988	White et al.	5,570,682 A	11/1996	Johnson	128/200.14
4,770,169 A	9/1988	Schmoegner et al. ..	5,570,689 A	11/1996	Starr et al.	128/207.11
4,774,941 A	10/1988	Cook	D377,089 S	12/1996	Starr et al.	D24/110.1
4,782,832 A	11/1988	Trimble et al.	5,592,938 A	1/1997	Scarberry et al.	128/206.24
4,799,477 A	1/1989	Lewis	5,608,647 A	3/1997	Rubsamen et al.	364/509
4,809,692 A	3/1989	Nowacki et al.	5,642,730 A	7/1997	Baran	128/207.14
4,819,629 A	4/1989	Jonson	5,647,355 A	7/1997	Starr et al.	128/205.24
4,821,713 A	4/1989	Bauman	5,647,357 A	7/1997	Barnett et al.	128/206.24
4,841,953 A	6/1989	Dodrill	5,649,532 A	7/1997	Griffiths	128/206.24
4,848,334 A	7/1989	Bellm	5,649,533 A	7/1997	Oren	128/207.12
4,848,366 A	7/1989	Aita et al.	5,655,520 A	8/1997	Howe et al.	128/203.13
4,907,584 A	3/1990	McGinnis	5,655,527 A	8/1997	Scarberry et al.	128/206.24
4,910,806 A	3/1990	Baker et al.	5,657,752 A	8/1997	Landis et al.	128/207.13
4,919,128 A	4/1990	Kopala et al.	5,662,101 A	9/1997	Ogden et al.	128/205.25
4,938,210 A	7/1990	Shene	5,666,946 A	9/1997	Langenback	128/200.16
4,938,212 A	7/1990	Snook et al.	5,673,690 A	10/1997	Tayebi et al.	128/206.24
4,944,310 A	7/1990	Sullivan	D385,960 S	11/1997	Rudolph	D24/110.4
4,971,051 A	11/1990	Toffolon	5,685,296 A	11/1997	Zdrojkowski et al. .	128/205.24
4,986,269 A	1/1991	Hakkinen	5,690,102 A	11/1997	Bertheau et al.	128/207.11
4,989,596 A	2/1991	Macris et al.	D388,873 S	1/1998	Richards et al.	D24/110.4
4,989,599 A	2/1991	Carter	5,715,814 A	2/1998	Ebers	128/206.18
5,005,568 A	4/1991	Loescher et al.	5,724,965 A	3/1998	Handke et al.	128/207.13
5,005,571 A	4/1991	Dietz	5,738,094 A	4/1998	Hoftman	128/206.26
5,038,776 A	8/1991	Harrison et al.	5,746,201 A	5/1998	Kidd	128/206.24
5,042,473 A	8/1991	Lewis	5,758,642 A	6/1998	Choi	128/206.21
5,046,200 A	9/1991	Feder	5,813,423 A	9/1998	Kirchgeorg	128/202.28

5,832,918 A	11/1998	Pantino	128/205.25	DE	4004157 C1 *	4/1991
D402,755 S	12/1998	Kwok	D24/110.4	DE	4343205 A1 *	6/1995
5,884,624 A	3/1999	Barnett et al.	128/206.24	DE	19735359 A1	1/1998
5,887,587 A	3/1999	Groenke	128/207.13	DE	29723101 U1	5/1998
5,896,857 A	4/1999	Hely et al.	128/205.24	DE	3707952 A1	9/1998
5,921,239 A	7/1999	McCall et al.	128/205.25	DE	29810846 U1	12/1999
D412,745 S	8/1999	Scheu	D24/110.4	DE	19962515 A1	7/2001
5,937,851 A	8/1999	Serowski et al.	128/202.27	EP	0054154	10/1981
5,937,855 A	8/1999	Zdrojkowski et al. .	128/205.24	EP	0178925	10/1985
5,941,245 A	8/1999	Hannah et al.	128/207.11	EP	0252052	7/1987
5,954,052 A	9/1999	McDonald et al.	128/206.27	EP	0264772 A1	10/1987
5,957,132 A	9/1999	McDonald et al.	128/207.11	EP	0386605 A1	2/1990
6,029,660 A	2/2000	Calluud et al.	128/203.12	EP	0427474 A2	11/1990
6,035,852 A	3/2000	Hoftman	128/206.26	EP	0462701 A1	5/1991
6,039,044 A	3/2000	Sullivan	128/205.25	EP	0602424 B1	11/1993
D428,987 S	8/2000	Kwok	D24/110.4	EP	0608684 A1	1/1994
D428,988 S	8/2000	Smart	D24/110.4	EP	0697225 B1	7/1995
6,112,746 A	9/2000	Kwok et al.	128/207.13	EP	0747078	6/1996
6,119,693 A	9/2000	Kwok et al.	128/207.11	EP	0821978 A2	7/1997
6,119,694 A	9/2000	Correa et al.	128/207.13	EP	1 027 905 A2	8/2000
6,123,071 A	9/2000	Berthon-Jones et al.	128/204.18	FR	1 100 270	5/1954
6,123,082 A	9/2000	Berthon-Jones	128/863	FR	2574657 A1	6/1986
D435,650 S	12/2000	Kwok	D24/110.4	FR	2658725 A1	8/1991
6,189,532 B1	2/2001	Hely et al.	128/205.24	FR	2749176 A1	12/1997
6,192,866 B1	2/2001	Araki et al.	123/479	GB	848215	9/1960
D443,355 S *	6/2001	Gunaratnam et al. ...	D24/110.4	GB	1395391	5/1975
6,357,440 B1	3/2002	Hansen et al.	128/206.19	GB	1467828	3/1977
6,357,441 B1	3/2002	Kwok et al.	128/207.13	GB	2145335 A	3/1985
6,374,826 B1	4/2002	Gunaratnam et al. ..	128/206.27	GB	2164569	3/1986
6,412,487 B1	7/2002	Gunaratnam et al. ..	128/206.24	GB	2147506 A	4/1987
6,422,238 B1	7/2002	Lithgow	128/207.11	GB	2267648 A	7/1996
6,439,230 B1	8/2002	Gunaratnam et al. ..	128/206.21	JP	9216240 A	8/1997
6,463,931 B1	10/2002	Kwok et al.	128/207.11	WO	WO 80/01044	5/1980
6,467,483 B1	10/2002	Kopacko et al.		WO	WO 82/03548	10/1982
D468,823 S *	1/2003	Smart	D24/110.1	WO	WO 86/06969	12/1986
6,532,961 B1 *	3/2003	Kwok et al.	128/205.25	WO	WO 87/01950	4/1987
D484,238 S *	12/2003	Radney et al.	D24/110.1	WO	WO 91/03277	3/1991
D486,226 S *	2/2004	Guney et al.	D24/110.1	WO	WO 92/15353	9/1992
D486,907 S *	2/2004	Guney et al.	D24/110.1	WO	WO 92/20395	11/1992
2001/0035188 A1	11/2001	Gleason et al.	128/205.25	WO	WO 93/01854	2/1993
2002/0005198 A1	1/2002	Kwok et al.	128/205.25	WO	WO 94/02190	2/1994
2002/0005201 A1	1/2002	Gradon et al.	128/207.11	WO	WO 94/16759	8/1994
2002/0014241 A1	2/2002	Gradon et al.	128/205.25	WO	WO 94/20051	9/1994
2002/0023649 A1	2/2002	Gunaratnam et al. ..	128/205.25	WO	WO 95/02428	1/1995
2002/0023650 A1	2/2002	Gunaratnam et al. ..	128/205.25	WO	WO 96/17643	6/1996
2002/0026934 A1	3/2002	Lithgow et al.	128/97.1	WO	WO 96/25983	8/1996
2002/0029780 A1	3/2002	Frater et al.	128/206.24	WO	WO 96/39206	12/1996
2002/0029781 A1	3/2002	Kwok et al.	128/207.13	WO	WO 96/39206	12/1996
2002/0083948 A1	7/2002	Kwok et al.	128/206.24	WO	WO 97/07847	3/1997
2002/0104540 A1	8/2002	Kwok et al.	128/205.25	WO	WO 97/41911	11/1997
2002/0108613 A1	8/2002	Gunaratnam et al. ..	128/205.25	WO	WO 98/04310	2/1998
2002/0148473 A1	10/2002	Kwok et al.	128/207.11	WO	WO 98/11930	3/1998
2002/0157672 A1	10/2002	Gunaratnam et al. ..	128/205.25	WO	WO 98/18514	5/1998
2003/0019495 A1	1/2003	Palkon et al.	128/206.21	WO	WO 98/24499	6/1998
				WO	WO 98/26829	6/1998
				WO	WO 98/26830	6/1998
				WO	WO 98/26830	6/1998
				WO	WO 98/48878	11/1998
				WO	WO 00/57942	10/2000
				WO	WO 00/78381 A1	12/2000
				WO	WO 00/78381	12/2000
				WO	WO 00/78382 A1	12/2000
				WO	WO 00/78383 A1	12/2000
				WO	WO 00/78384	12/2000
				WO	WO 00/78384 A1	12/2000
				WO	WO 02/45784 A1 *	6/2002
FOREIGN PATENT DOCUMENTS						
DE	207751		4/1907			
DE	459104 C1		4/1928			
DE	701690 C1		1/1941			
DE	1104122		4/1961			
DE	3015279 A1 *		10/1981			
DE	3345067 A1 *		5/1985			
DE	3537505 A1 *		4/1987			
DE	3539073 A1 *		5/1987			

* cited by examiner

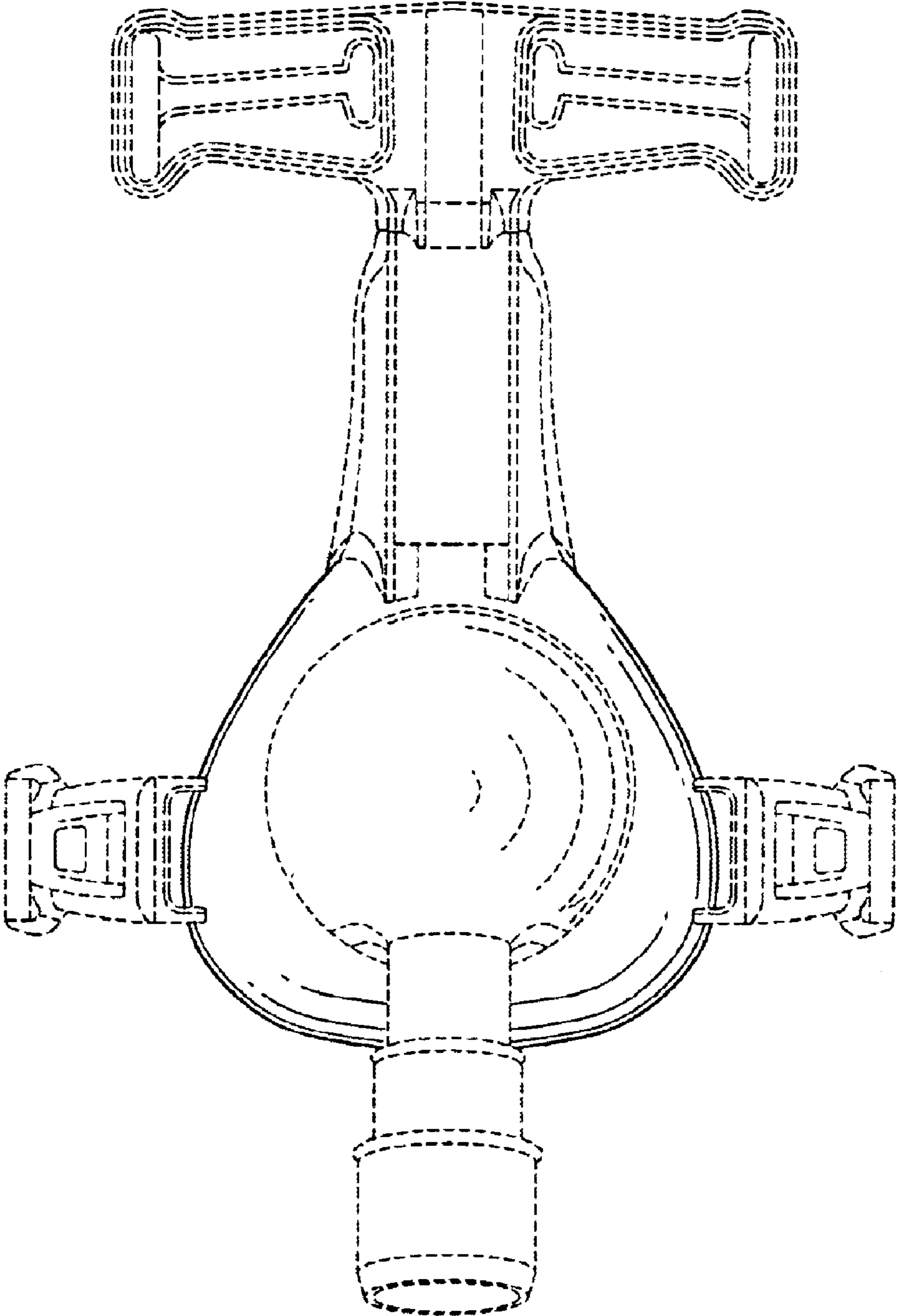


FIG. 1

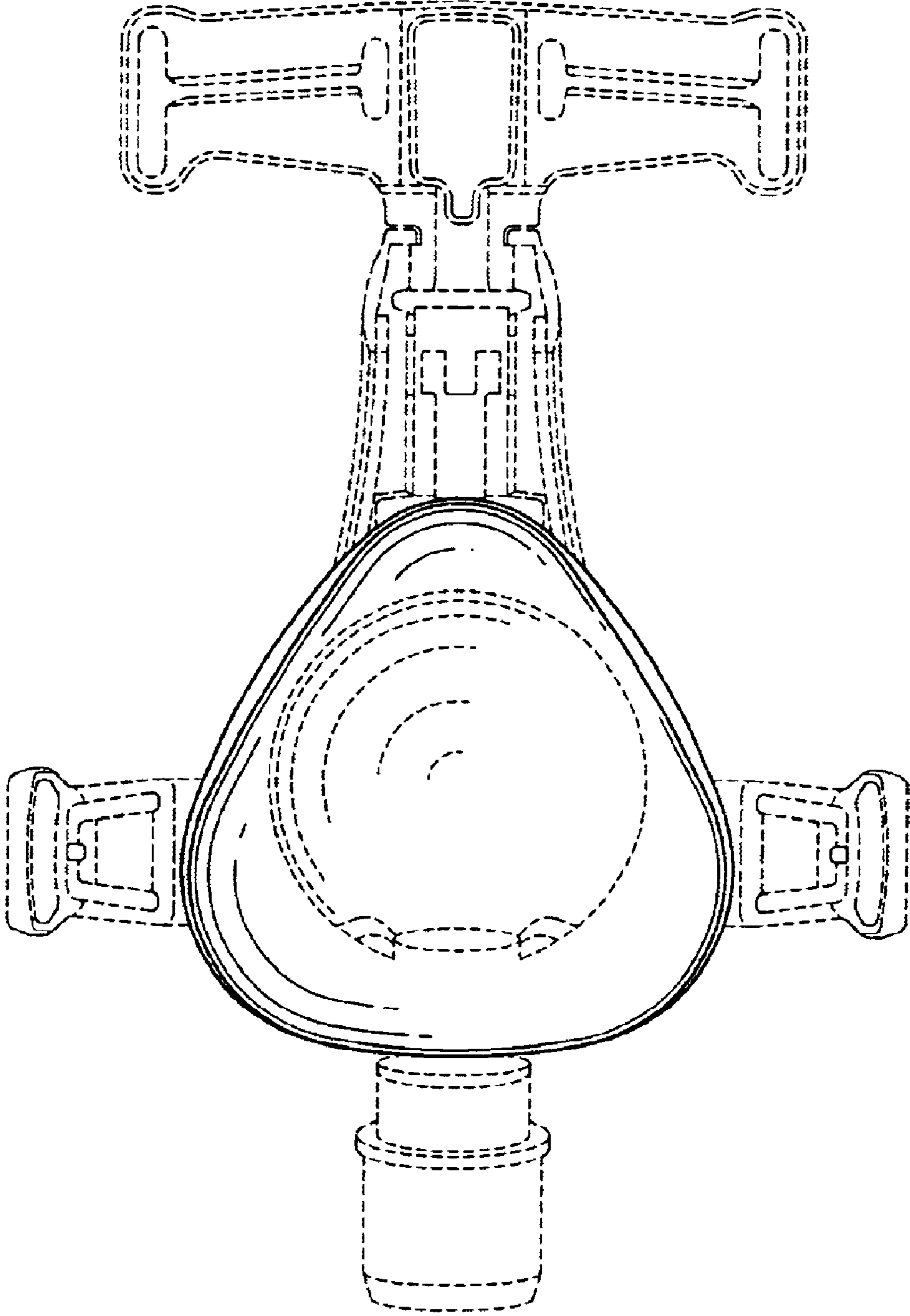


FIG. 2

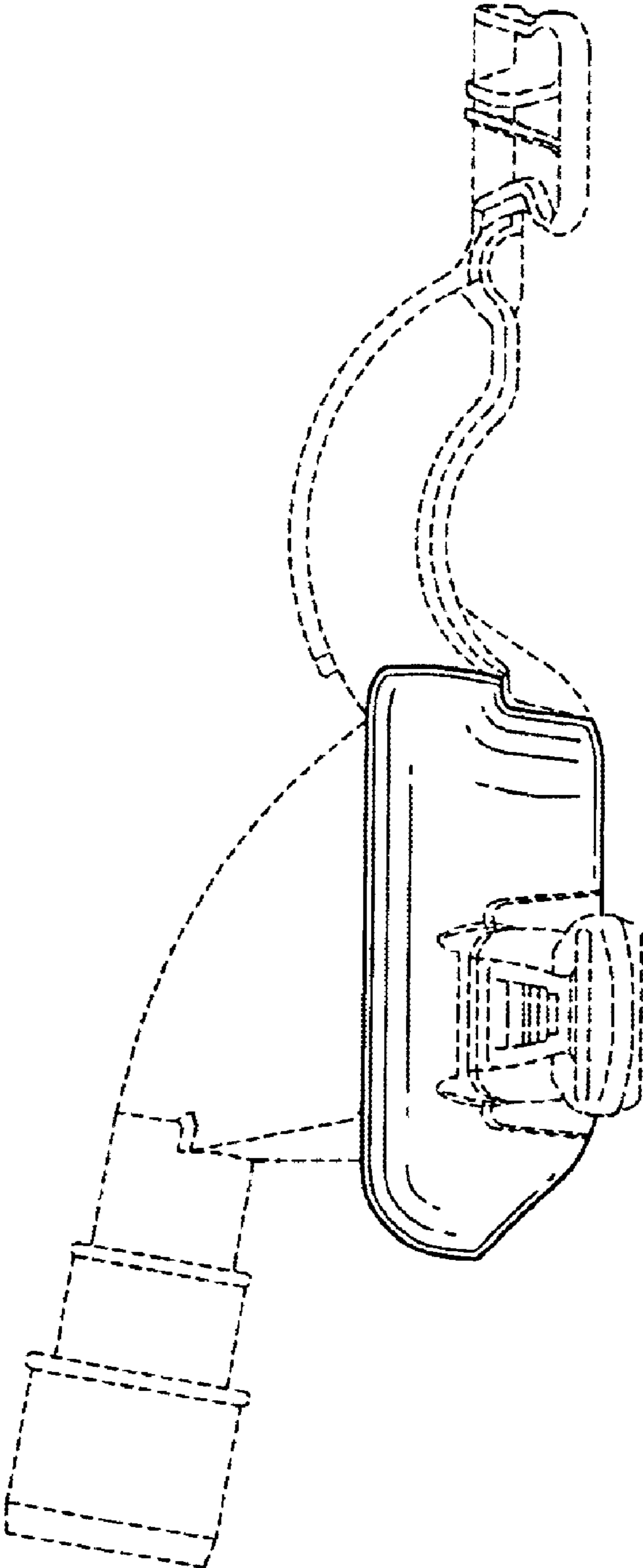


FIG. 3

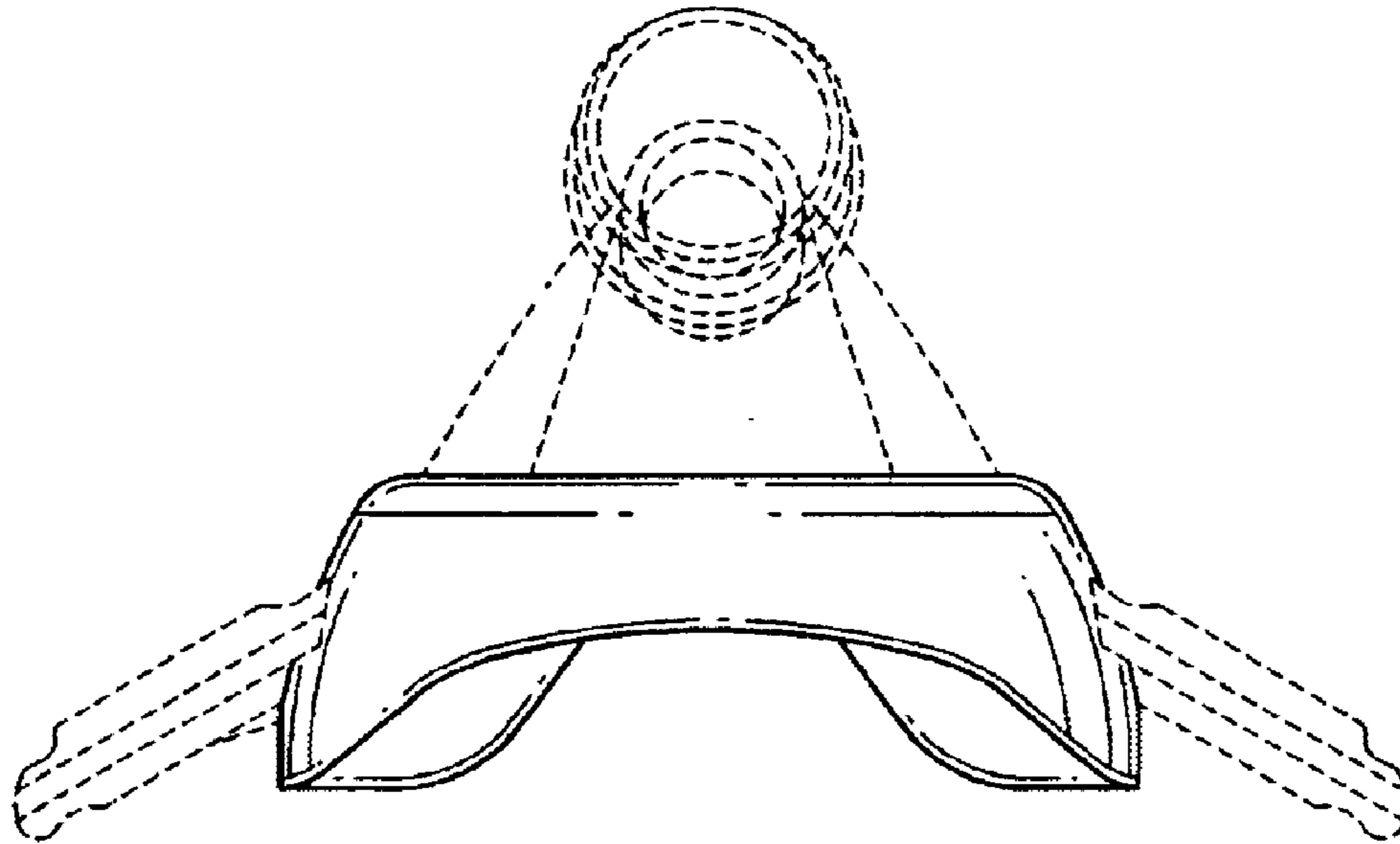


FIG. 4

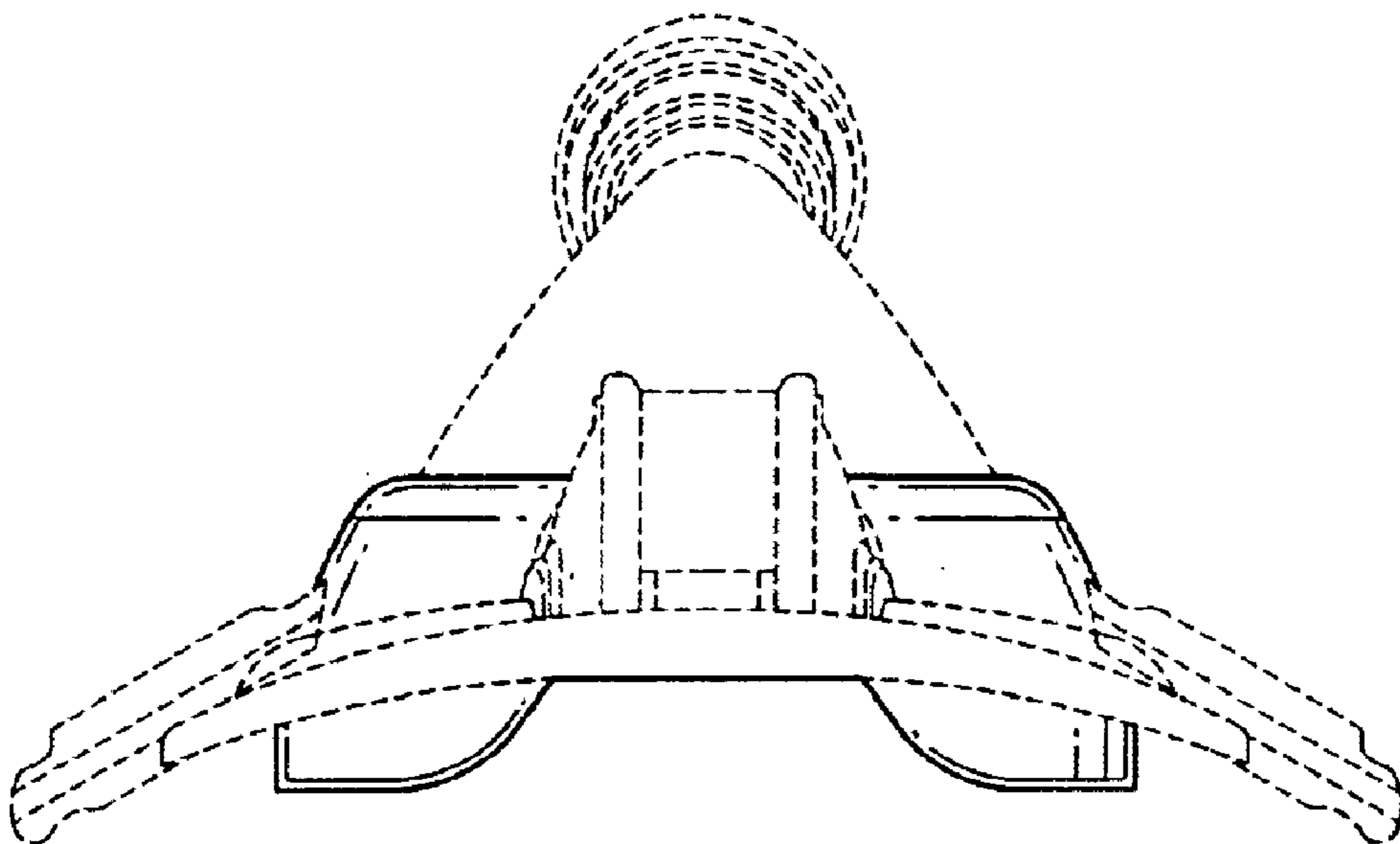


FIG. 5