



US00D507830S

(12) **United States Design Patent**
Pan

(10) **Patent No.:** **US D507,830 S**

(45) **Date of Patent:** **** Jul. 26, 2005**

(54) **CEILING FAN HOUSING**

(75) **Inventor:** **Peter Pan**, Shetzu (TW)

(73) **Assignee:** **Air Cool Industrial Co. LTD**,
Taichung (TW)

(**) **Term:** **14 Years**

(21) **Appl. No.:** **29/190,878**

(22) **Filed:** **Sep. 26, 2003**

(51) **LOC (8) Cl.** **23-04**

(52) **U.S. Cl.** **D23/411**

(58) **Field of Search** D23/411, 377,
D23/379, 385; 416/5; 392/364

(56) **References Cited**

U.S. PATENT DOCUMENTS

D464,424 S * 10/2002 Campbell D23/411

D488,218 S * 4/2004 Burns D23/411

* cited by examiner

Primary Examiner—Lisa Lichtenstein

(74) *Attorney, Agent, or Firm*—Parsons & Goltry; Michael
W. Goltry; Robert A. Parsons

(57) **CLAIM**

The ornamental design for a ceiling fan housing, as shown
and described.

DESCRIPTION

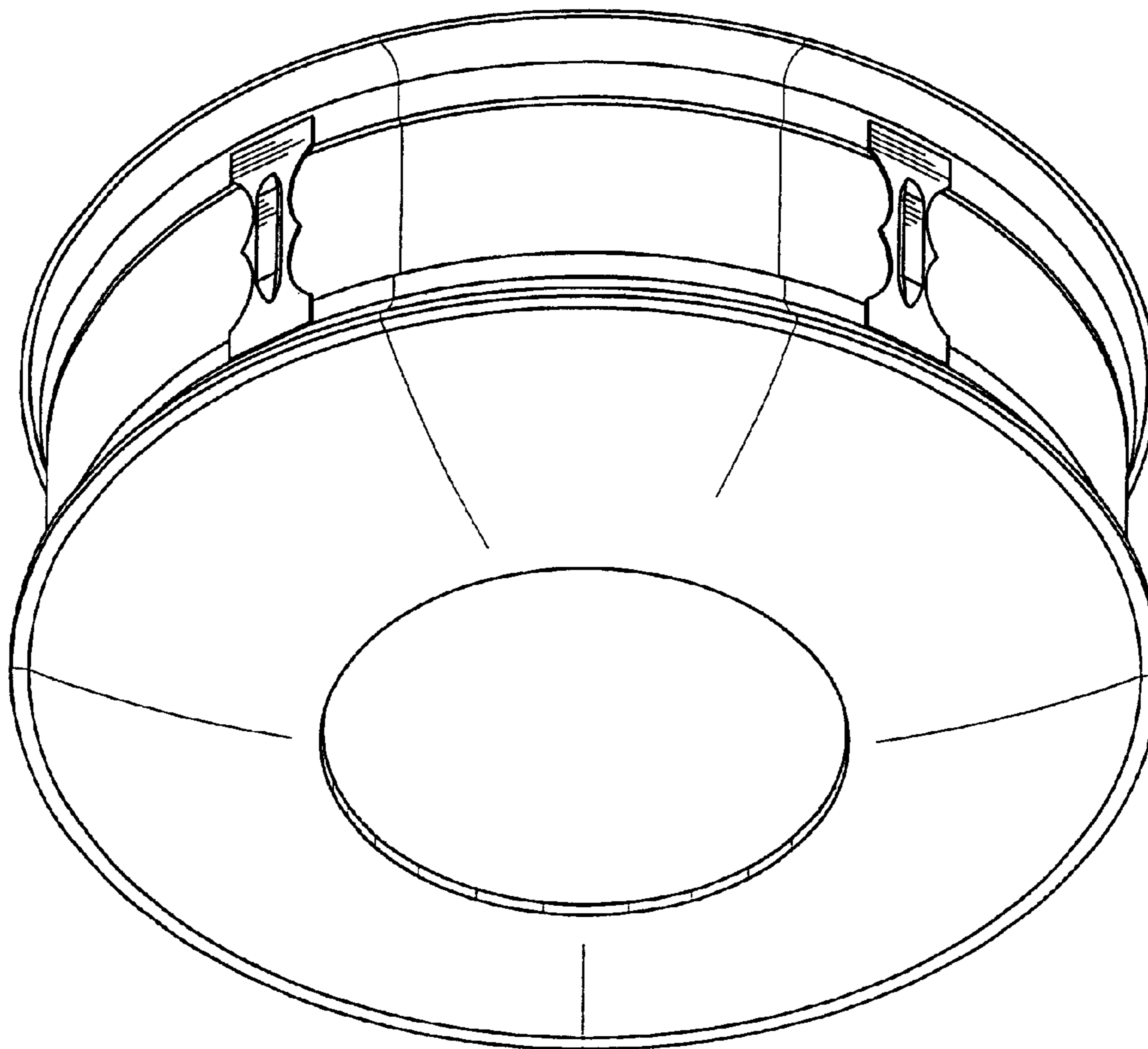
FIG. 1 is a bottom perspective view of a ceiling fan housing
showing my new design;

FIG. 2 is an enlarged front elevational view thereof, the rear
elevational view, the left side elevational view, and the right
side elevational view being substantially the same thereof;

FIG. 3 is a top plan view thereof; and,

FIG. 4 is a bottom plan view thereof.

1 Claim, 4 Drawing Sheets



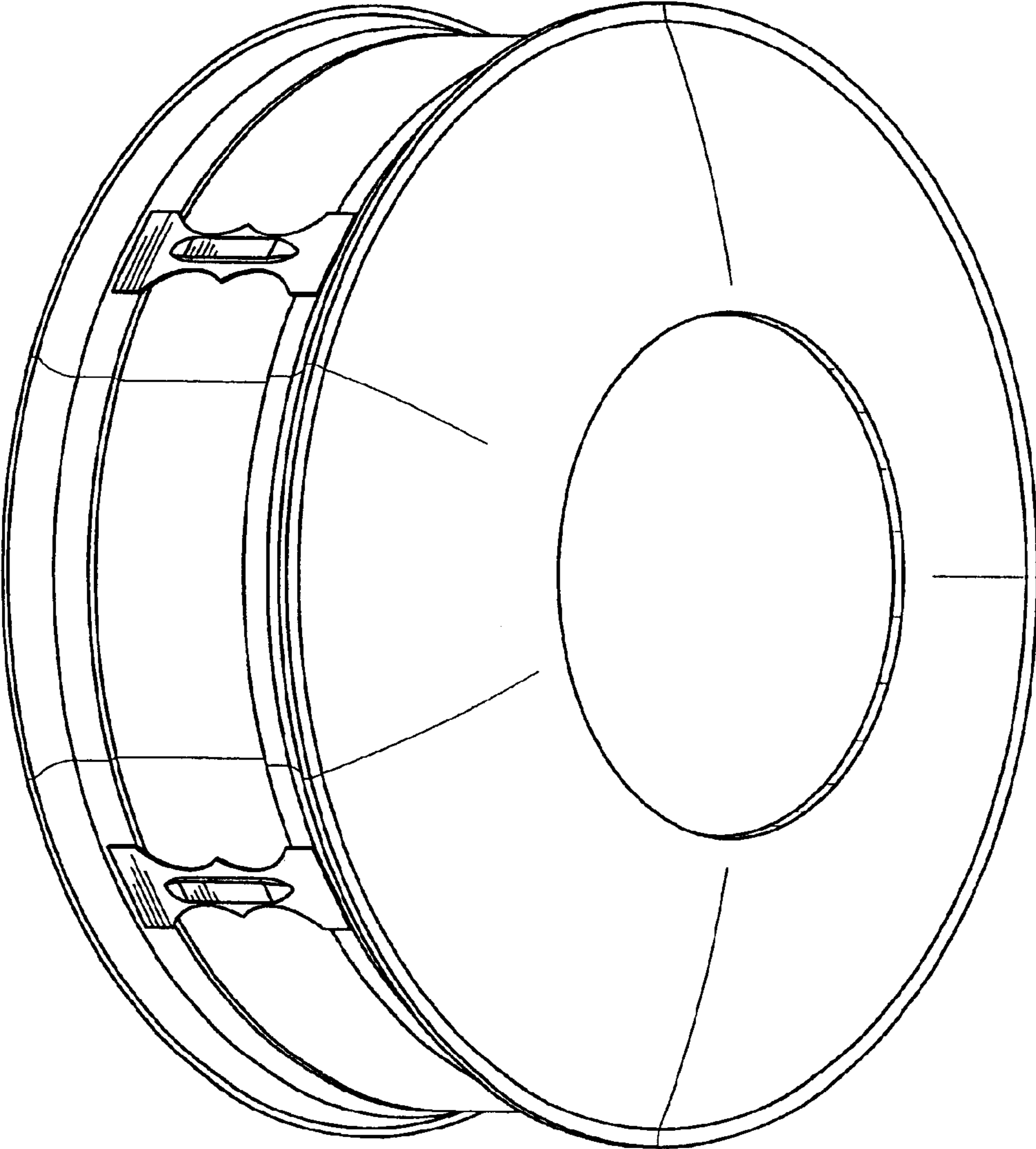


FIG. 1

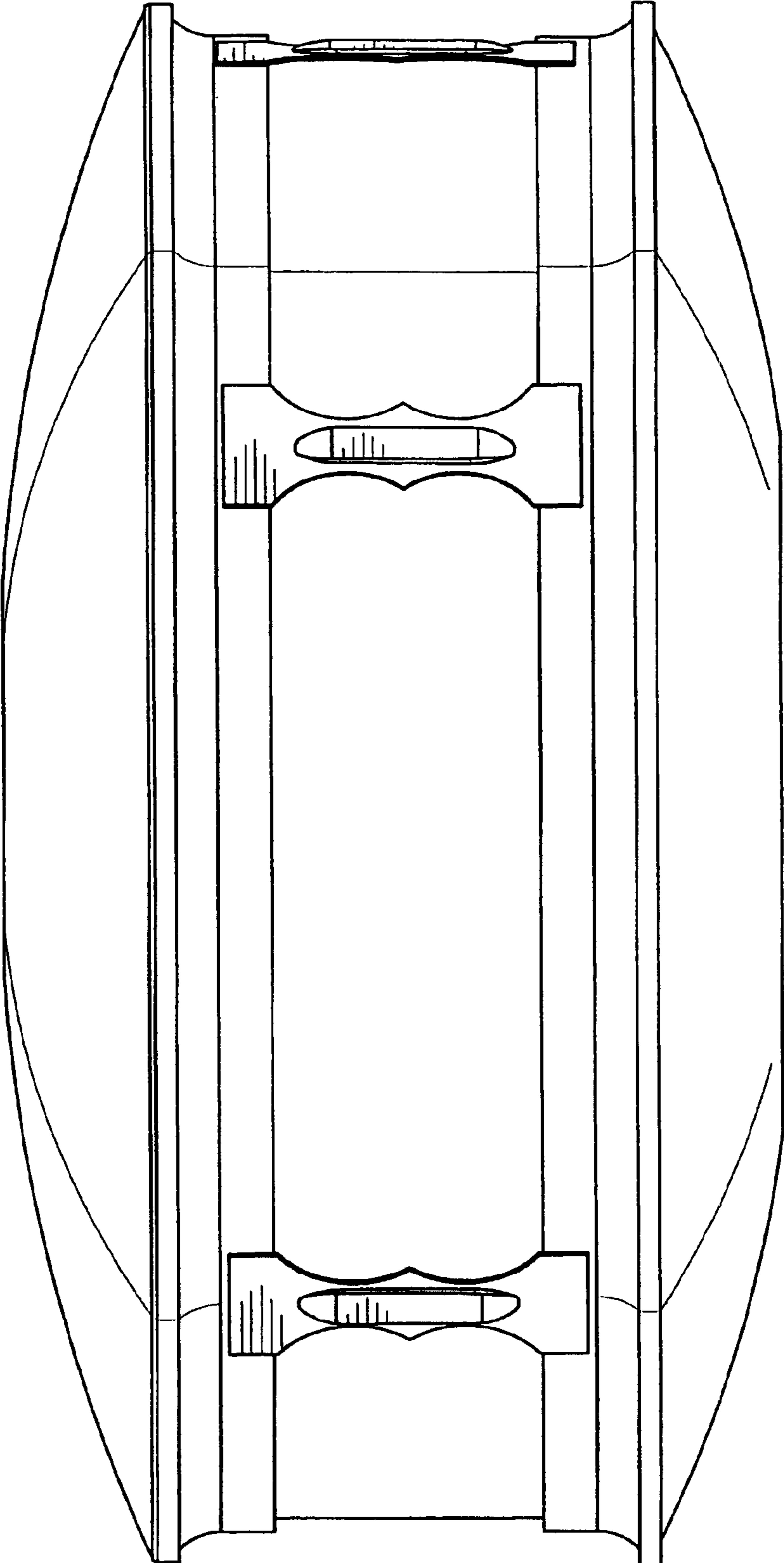


FIG. 2

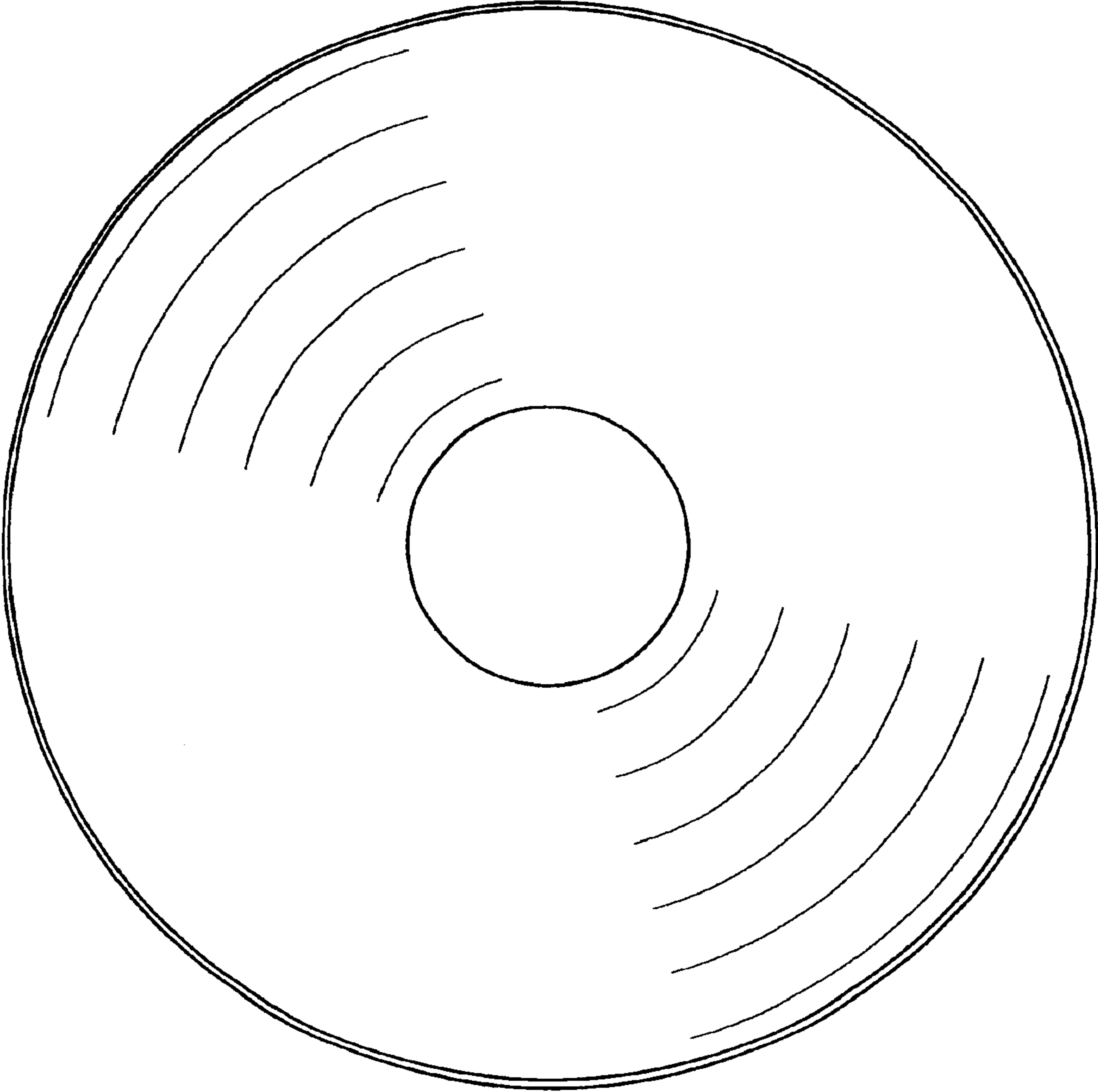


FIG. 3

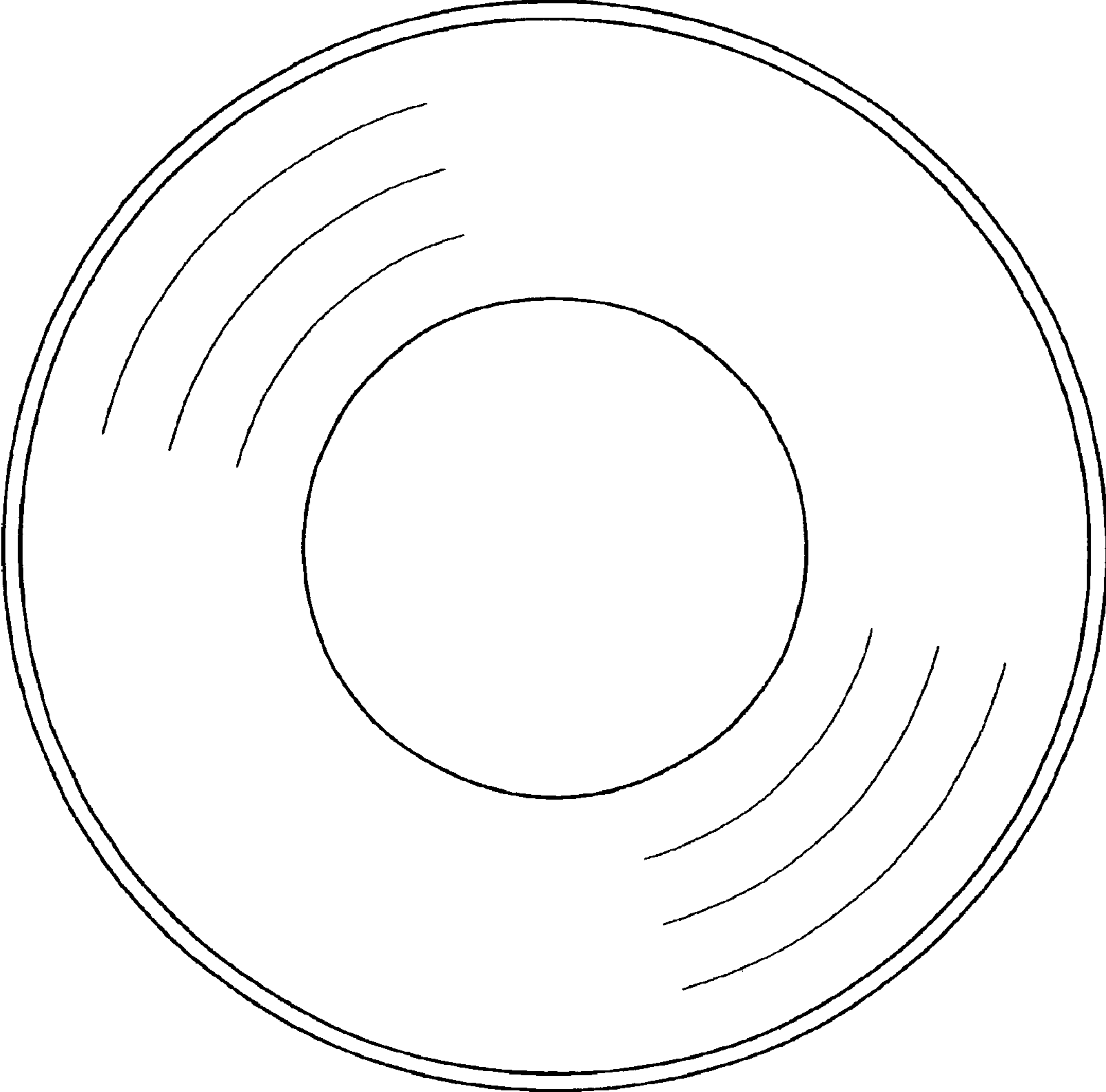


FIG. 4